



US00D702067S

(12) **United States Design Patent**
Kim

(10) **Patent No.:** **US D702,067 S**

(45) **Date of Patent:** **** Apr. 8, 2014**

(54) **FINISHING MATERIAL FOR A SHOWCASE**

(71) Applicant: **Seidae Industrial Co., Ltd.**, Goyang-si (KR)

(72) Inventor: **Deok-Rae Kim**, Goyang-si (KR)

(73) Assignee: **Seidae Industrial Co., Ltd.**, Goyang-Si (KR)

(**) Term: **14 Years**

(21) Appl. No.: **29/468,884**

(22) Filed: **Oct. 4, 2013**

(30) **Foreign Application Priority Data**

Apr. 9, 2013 (KR) 30-2013-0018061

(51) **LOC (10) Cl.** **06-06**

(52) **U.S. Cl.**
USPC **D6/702**

(58) **Field of Classification Search**

USPC D6/491, 509, 511, 561, 582-583, 702;
D25/119-125, 138; D8/349, 354, 373,
D8/380, 382; 211/88, 90, 126, 134-135,
211/187, 193

See application file for complete search history.

(56) **References Cited**

U.S. PATENT DOCUMENTS

3,411,977 A * 11/1968 Slater, Jr. 428/33
D334,497 S * 4/1993 Putty D6/511
6,286,286 B1 * 9/2001 Simonar 52/716.1
D456,088 S * 4/2002 Nelson et al. D25/136

D520,553 S * 5/2006 Bogdan et al. D17/20
D542,939 S * 5/2007 Neuhofer, Jr. D25/136
D542,941 S * 5/2007 Neuhofer, Jr. D25/136
D604,967 S * 12/2009 da Silva et al. D6/491
D634,026 S * 3/2011 Baccarini D25/61
D652,932 S * 1/2012 Petteway D24/164
8,109,059 B2 * 2/2012 Proot 52/468
8,528,285 B2 * 9/2013 Kornfalt 52/395

* cited by examiner

Primary Examiner — Kelley Donnelly

(74) *Attorney, Agent, or Firm* — Lexyoume IP Meister, PLLC

(57) **CLAIM**

The ornamental design for finishing material for a showcase, as shown and described.

DESCRIPTION

FIG. 1 is a top and right side perspective view of a finishing material for a showcase showing my new design; FIG. 2 is a front elevational view thereof; FIG. 3 is a rear elevational view thereof; FIG. 4 is a left side elevational view thereof, the other side view is mirror image; FIG. 5 is a top plan view thereof; FIG. 6 is a bottom plan view thereof; FIG. 7 is a bottom and left perspective view thereof; FIG. 8 is a top and right view thereof shown in environment; and, FIG. 9 is a front sectional view thereof shown in its position of use, taken along line 9-9 in FIG. 5. The broken lines showing in FIGS. 8 and 9 are for the purposes of illustrating the environment of the article only and form no part of the claimed design.

1 Claim, 4 Drawing Sheets

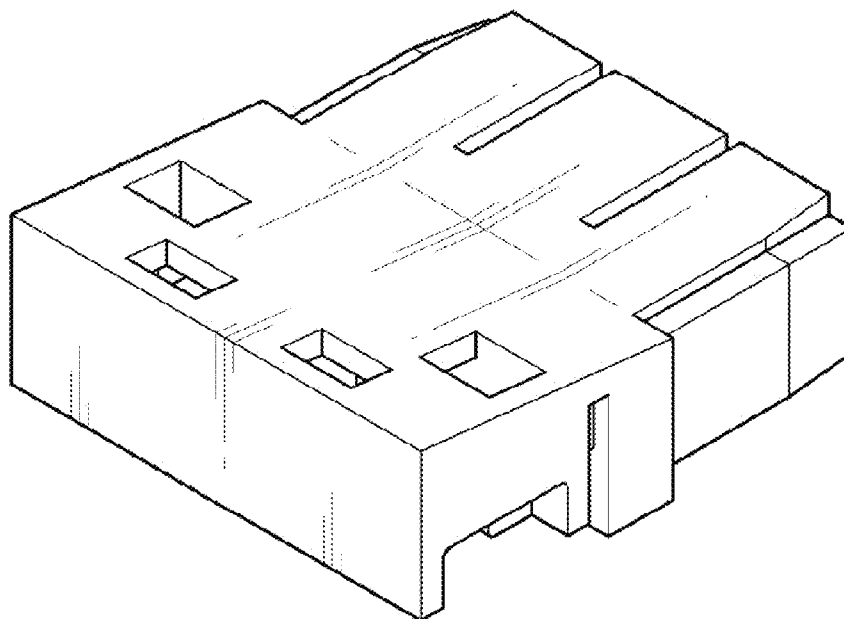


FIG. 1

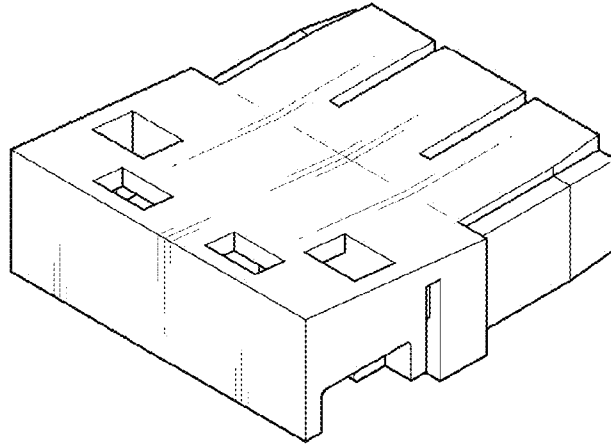


FIG. 2

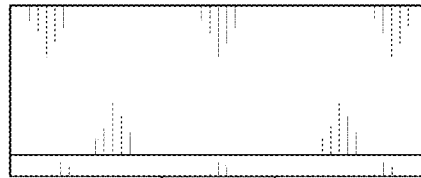


FIG. 3

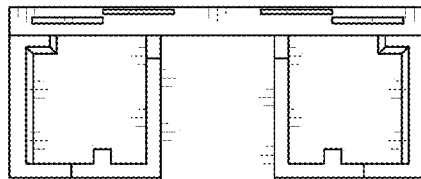


FIG. 4

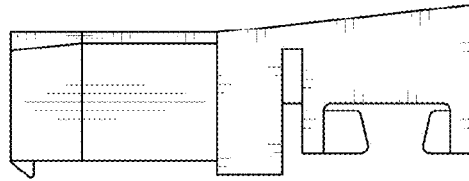


FIG. 5

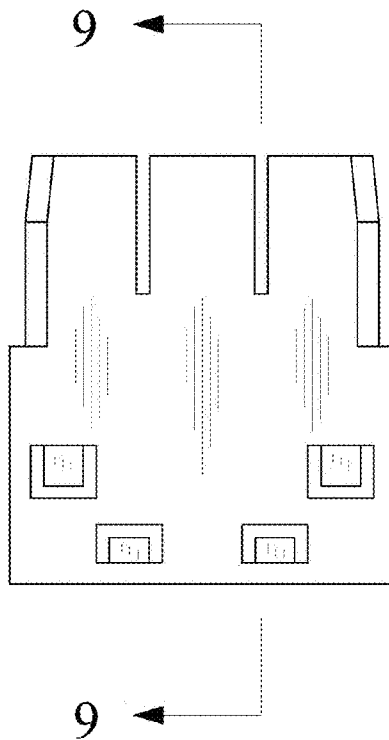


FIG. 6

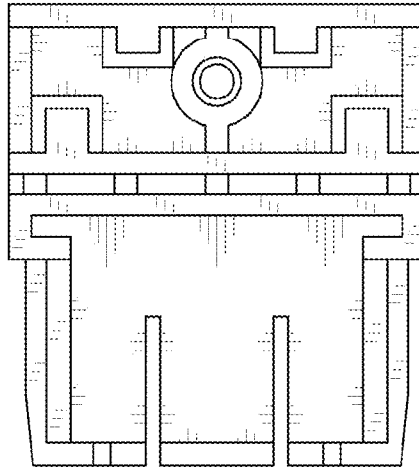


FIG. 7

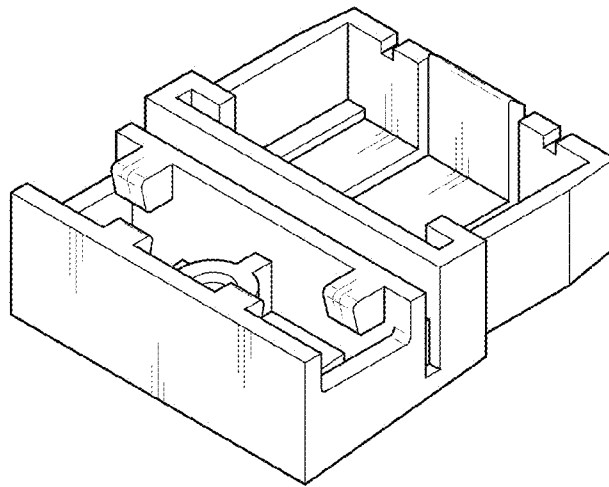


FIG. 8

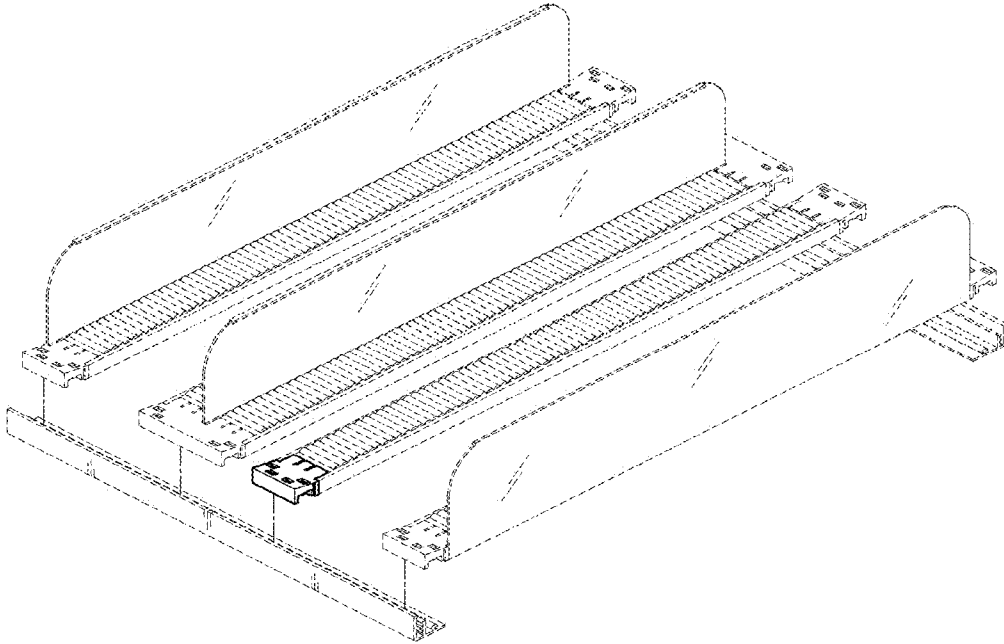


FIG. 9

