



US00D347953S

United States Patent [19]

[11] Patent Number: Des. 347,953

Mari

[45] Date of Patent: ** Jun. 21, 1994

[54] TABLE

[75] Inventor: Ezo Mari, Milan, Italy

[73] Assignee: Fiam Italia S.p.A., Tavullia, Italy

[**] Term: 14 Years

[21] Appl. No.: 945,334

[22] Filed: Sep. 15, 1992

[52] U.S. Cl. D6/485; D6/480; D6/484

[58] Field of Search D6/480, 482-489, D6/495, 497, 450, 451, 470, 349, 406; 108/150, 153, 161

[56] **References Cited**

U.S. PATENT DOCUMENTS

D. 147,114	7/1947	Cutrow	D6/480 X
D. 231,885	6/1974	Kephart	D6/480
D. 238,407	1/1976	Owens	D6/485
D. 248,351	7/1978	Bartholomew	D6/484
D. 266,547	10/1982	Offredi	D6/485
D. 273,448	4/1984	Calauhoun	D6/485
D. 317,839	7/1991	Pino	D6/484
D. 327,592	7/1992	Kerem	D6/480

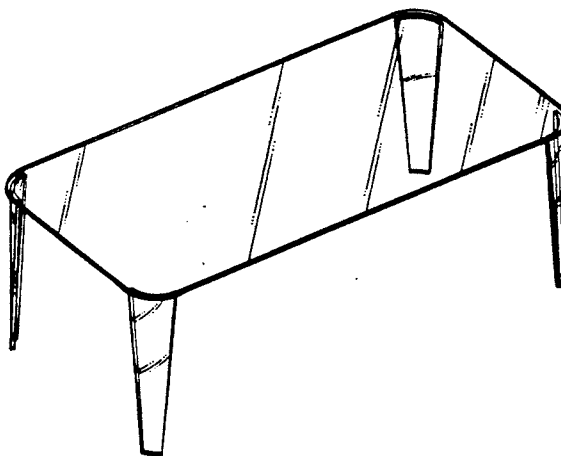
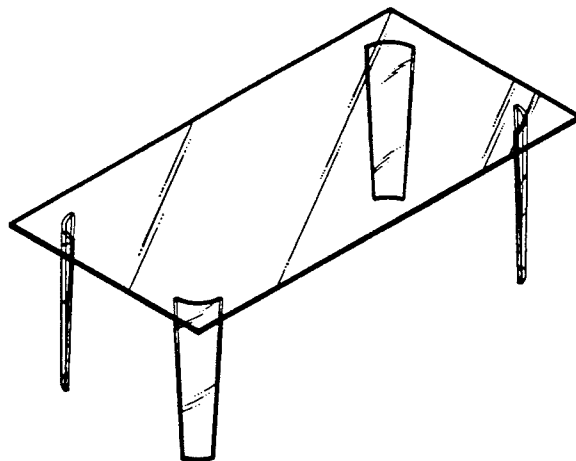
Primary Examiner—Nelson C. Holtje
Assistant Examiner—J. E. Seeger
Attorney, Agent, or Firm—Shenier & O'Connor

[57] **CLAIM**

The ornamental design for a table, as shown and described.

DESCRIPTION

FIG. 1 is a perspective view of a table, showing one embodiment of my new design;
 FIG. 2 is a front elevational view thereof, the rear elevational view being a mirror image thereof;
 FIG. 3 is a left side elevational view thereof, the right side elevational view being a mirror image thereof;
 FIG. 4 is a top plan view thereof;
 FIG. 5 is a bottom plan view thereof;
 FIG. 6 is a perspective view of a table, showing another embodiment of my new design;
 FIG. 7 is a front elevational view thereof, the rear elevational view being a mirror image thereof;
 FIG. 8 is a left side elevational view thereof, the right side elevational view being a mirror image thereof;
 FIG. 9 is a top plan view thereof; and,
 FIG. 10 is a bottom plan view thereof.



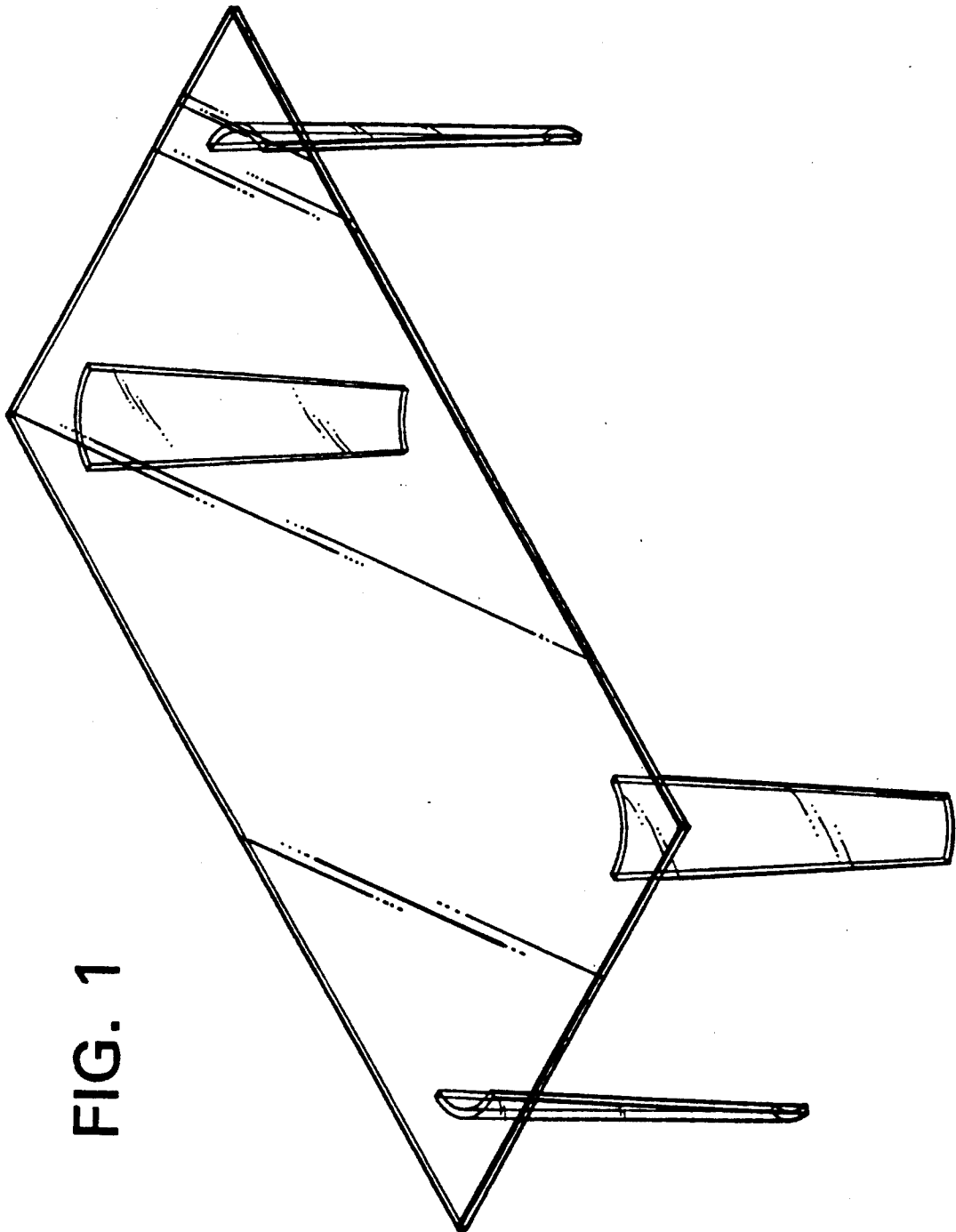


FIG. 1

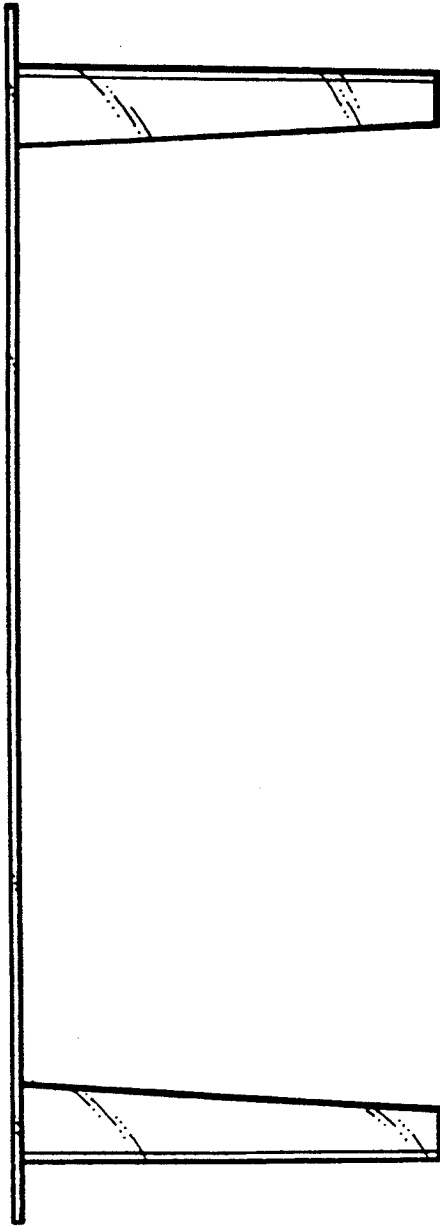


FIG. 2

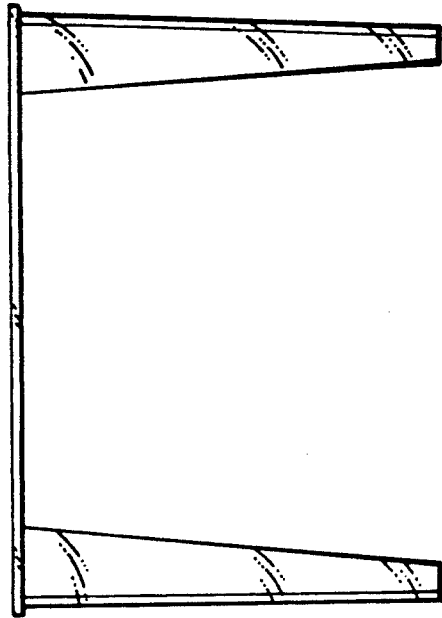


FIG. 3

FIG. 4

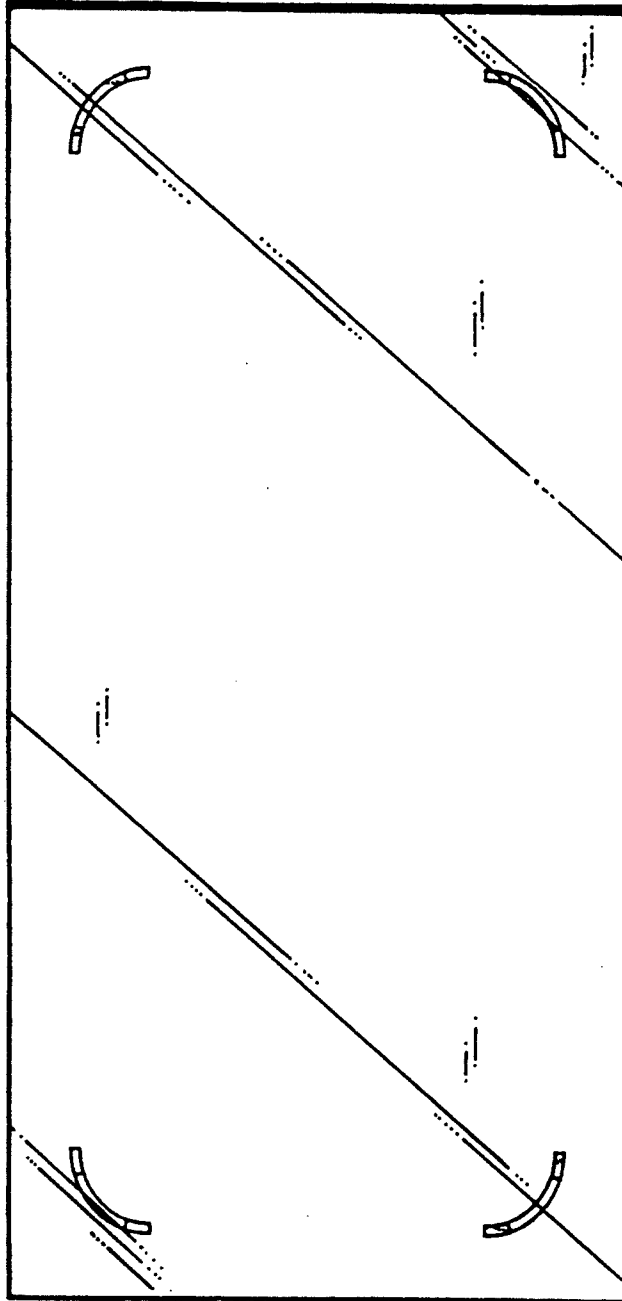
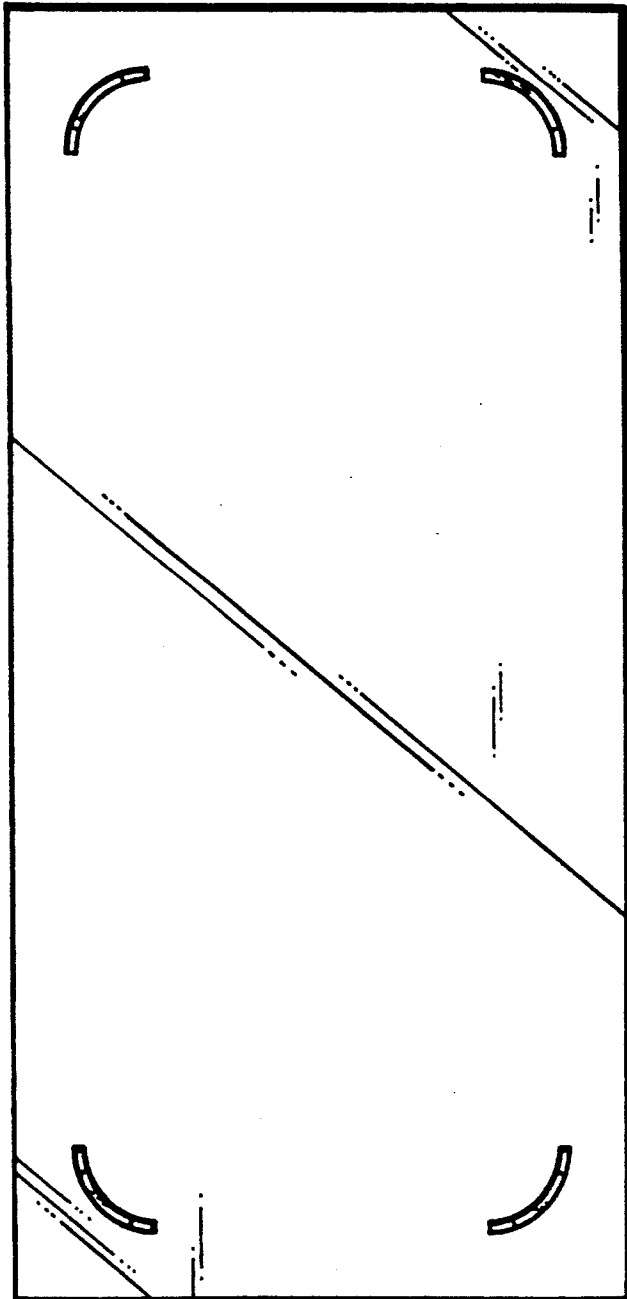


FIG. 5



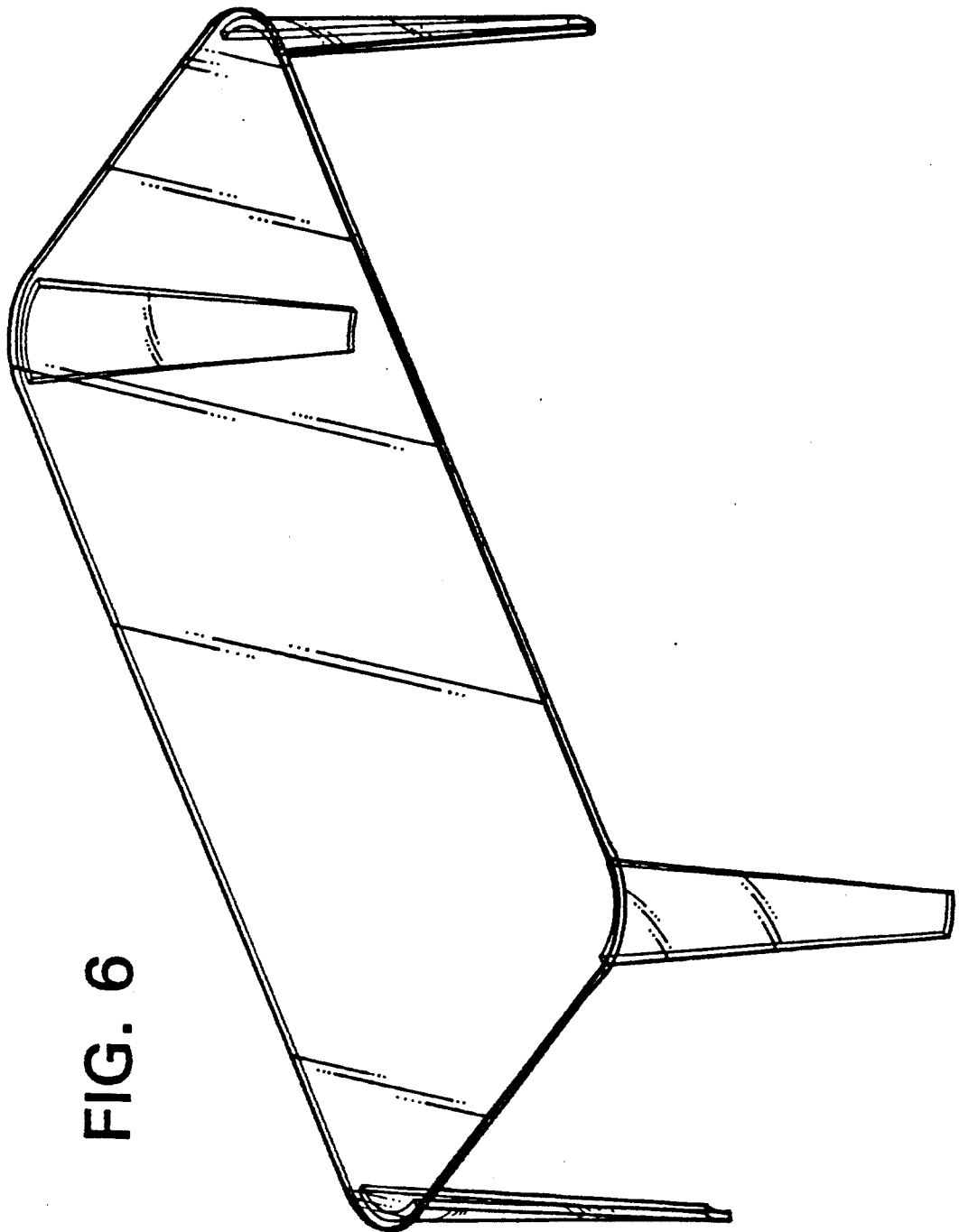


FIG. 6

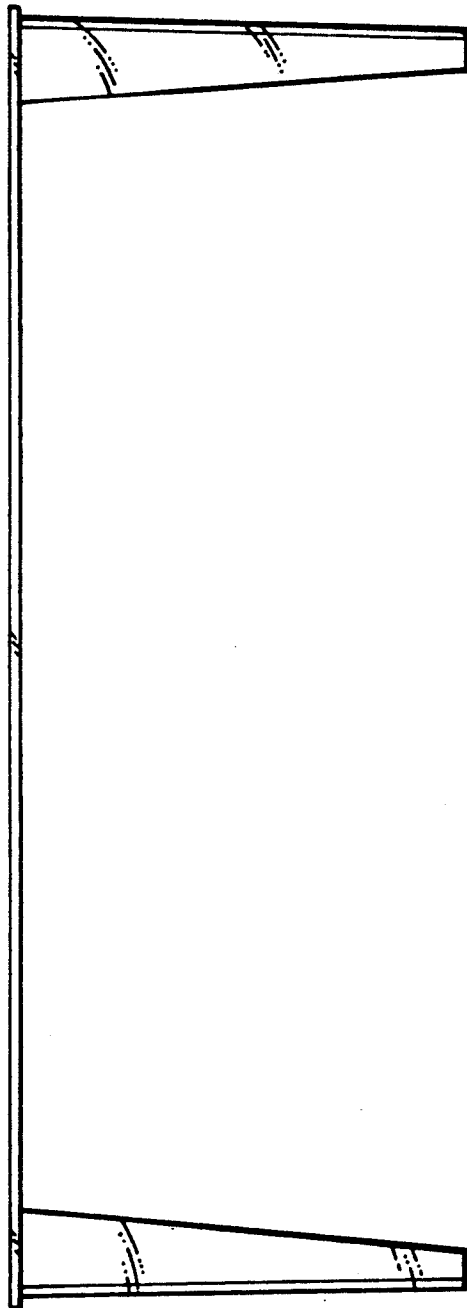


FIG. 7

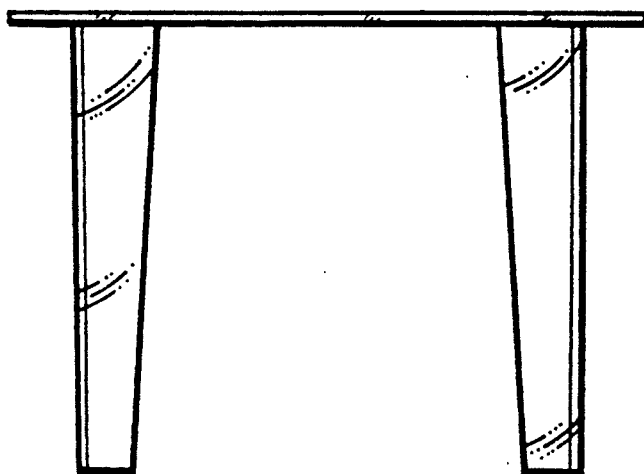


FIG. 8

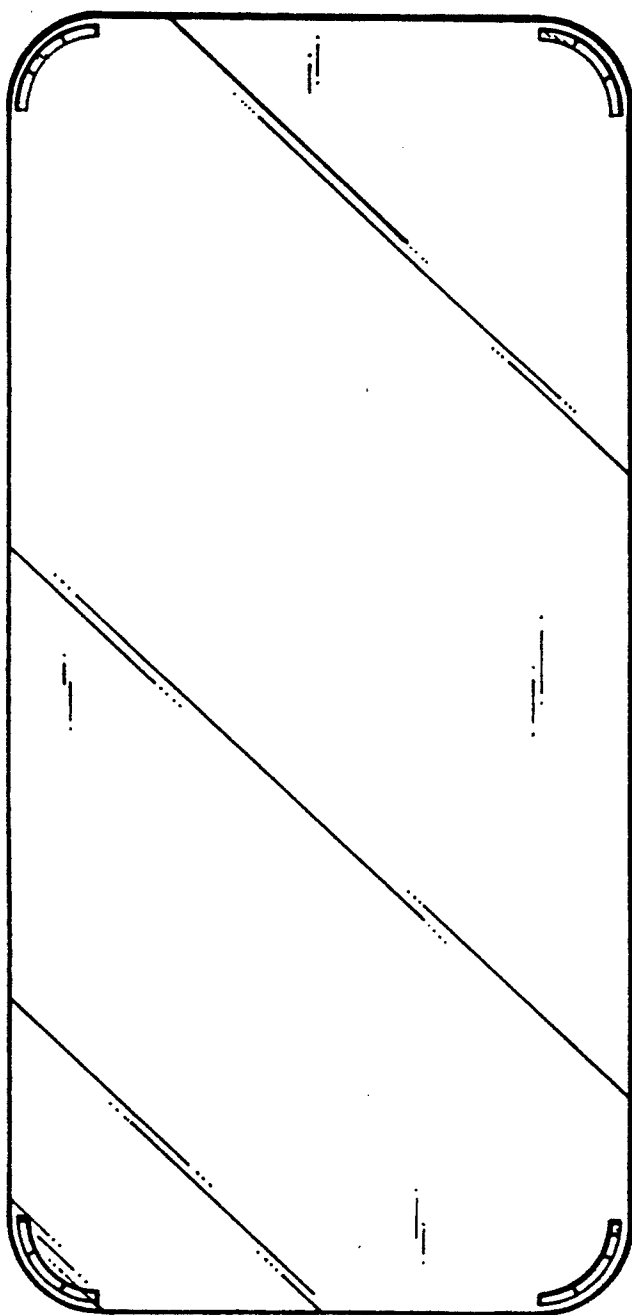


FIG. 9

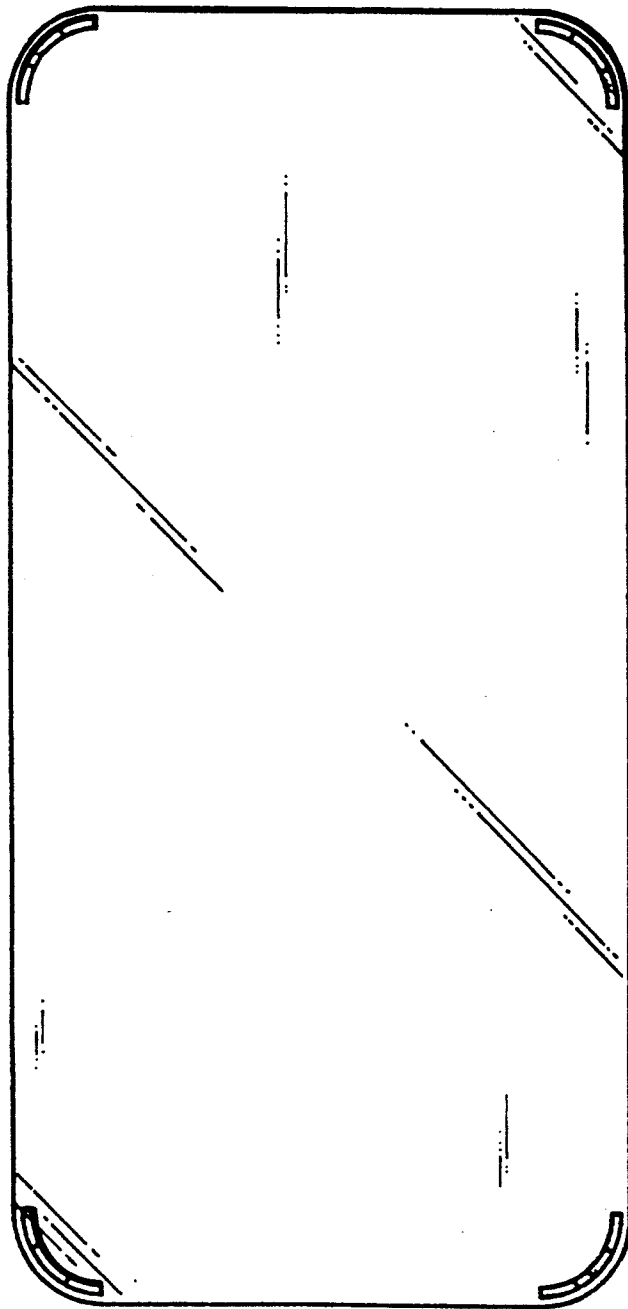


FIG. 10

UNITED STATES PATENT AND TRADEMARK OFFICE
CERTIFICATE OF CORRECTION

PATENT NO. : Des. 347,953
DATED : June 21, 1994
INVENTOR(S) : Enzo Mari

It is certified that error appears in the above-identified patent and that said Letters Patent is hereby corrected as shown below:

On the title page, Item [75]:
First name of inventor should read: Enzo.

Signed and Sealed this
Thirteenth Day of September, 1994

Attest:



BRUCE LEHMAN

Attesting Officer

Commissioner of Patents and Trademarks

UNITED STATES PATENT AND TRADEMARK OFFICE
CERTIFICATE OF CORRECTION

PATENT NO. : Des. 347,953
DATED : June 21, 1994
INVENTOR(S) : Enzo Mari

It is certified that error appears in the above-identified patent and that said Letters Patent is hereby corrected as shown below:

On title page, add the following, item;

[30] Foreign Application Priority Data -

April 6, 1992 [IT] Italy MI 920000204

Signed and Sealed this

Twenty-ninth Day of November, 1994

Attest:



BRUCE LEHMAN

Attesting Officer

Commissioner of Patents and Trademarks