



US00D653329S

(12) **United States Design Patent**  
**Lee-Sepsick**

(10) **Patent No.:** **US D653,329 S**

(45) **Date of Patent:** **\*\* Jan. 31, 2012**

(54) **DEVICE FOR RELIEVING FLUID PRESSURE**

(75) Inventor: **Kathy Lee-Sepsick**, Suwanee, GA (US)

(73) Assignee: **Femasys Inc.**, Suwanee, GA (US)

(\*\*) Term: **14 Years**

(21) Appl. No.: **29/391,627**

(22) Filed: **May 11, 2011**

(51) **LOC (9) Cl.** ..... **24-02**

(52) **U.S. Cl.** ..... **D24/112**

(58) **Field of Classification Search** ..... D24/112-114,  
D24/133, 186, 104, 130, 127; 606/181, 185;  
604/232, 187, 158, 164.08, 192, 263, 163,  
604/181, 184, 198, 227

See application file for complete search history.

(56) **References Cited**

**U.S. PATENT DOCUMENTS**

5,562,611	A *	10/1996	Transue	.....	604/158
D380,827	S *	7/1997	Stringer et al.	.....	D24/112
5,690,663	A *	11/1997	Stephens	.....	606/185
5,776,112	A *	7/1998	Stephens et al.	.....	606/185
5,868,773	A *	2/1999	Danks et al.	.....	606/185
5,879,332	A *	3/1999	Schwemberger	.....	604/164.08
			et al.	.....	606/185
5,904,699	A *	5/1999	Schwemberger et al.	....	606/185

6,585,698	B1 *	7/2003	Packman et al.	.....	604/232
D512,147	S *	11/2005	Barker	.....	D24/133
D562,447	S *	2/2008	Call et al.	.....	D24/114
D575,395	S *	8/2008	Hushka	.....	D24/133
D583,932	S *	12/2008	Clement et al.	.....	D24/113
7,713,280	B2 *	5/2010	Marshall et al.	.....	606/181

\* cited by examiner

*Primary Examiner* — David Muller

(74) *Attorney, Agent, or Firm* — Ballard Spahr LLP

(57) **CLAIM**

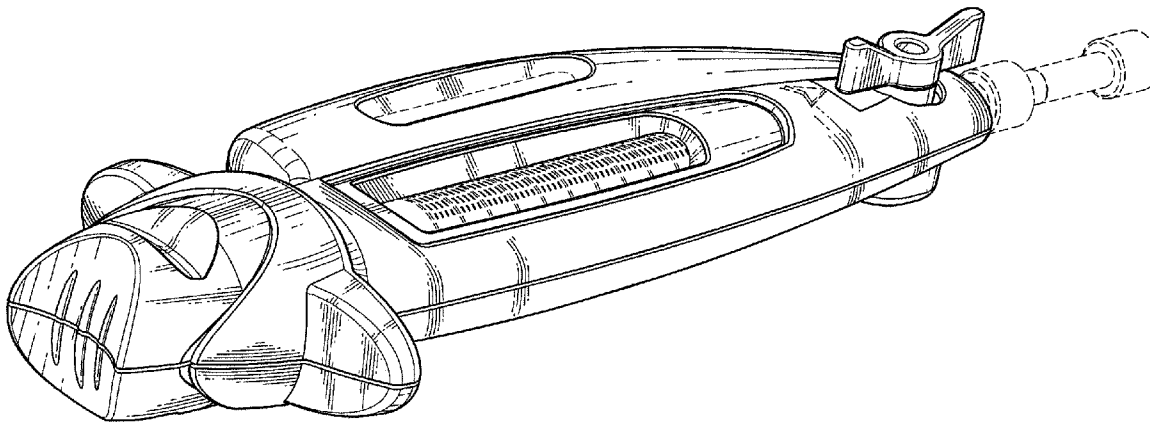
The ornamental design for a device for relieving fluid pressure, as shown and described.

**DESCRIPTION**

FIG. 1 is a perspective view of a device for relieving fluid pressure of the present invention;  
FIG. 2 is an enlarged right side elevation view thereof;  
FIG. 3 is an enlarged left side elevation view thereof;  
FIG. 4 is a front elevation view thereof;  
FIG. 5 is a rear elevation view thereof;  
FIG. 6 is a top elevation view thereof;  
FIG. 7 is a bottom elevation view thereof; and,  
FIG. 8 is a second perspective view thereof.

The features shown in broken lines in FIGS. 1, 2 and 4-8 depict environmental subject matter only and form no part of the claimed design.

**1 Claim, 7 Drawing Sheets**



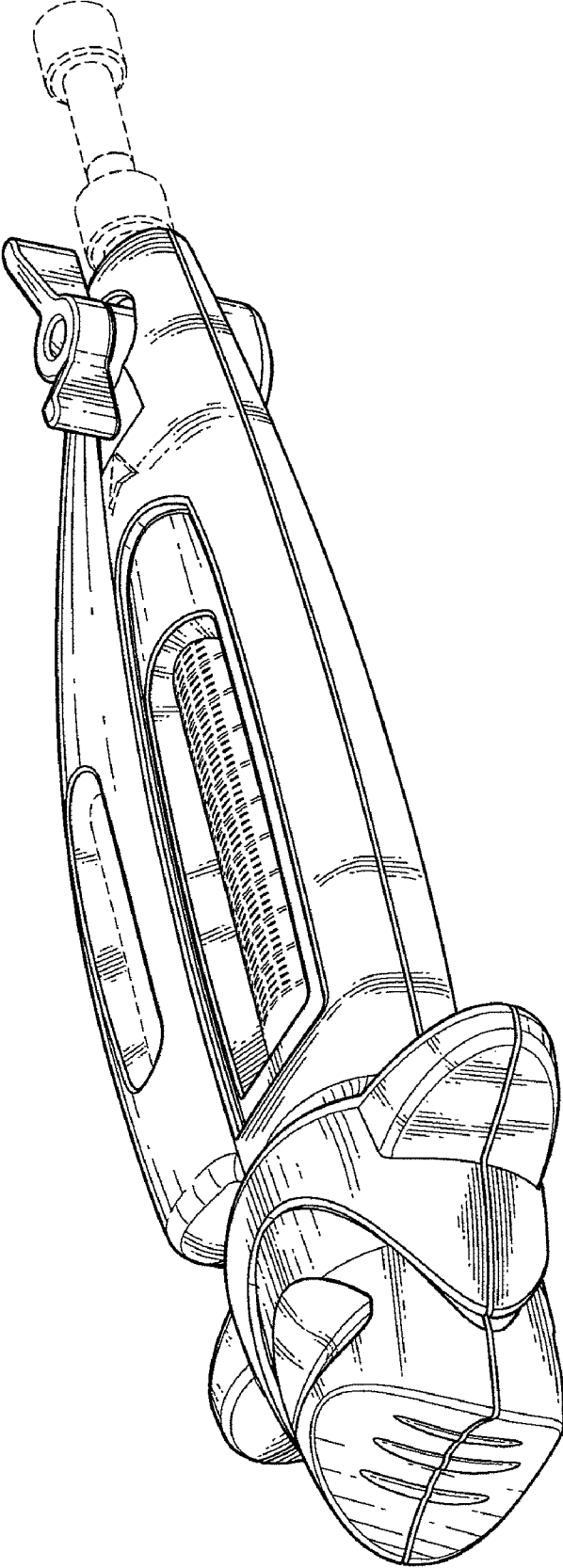


FIG. 1

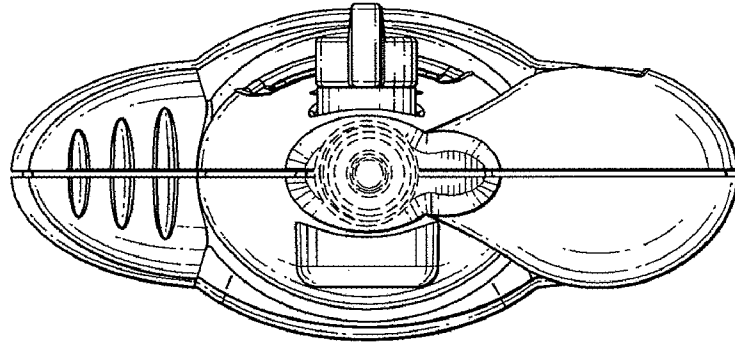


FIG. 2

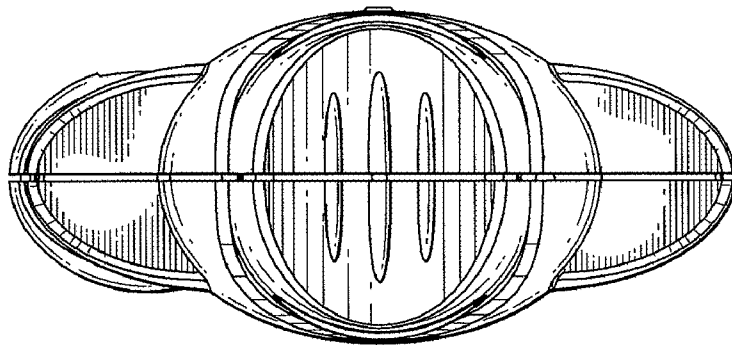


FIG. 3

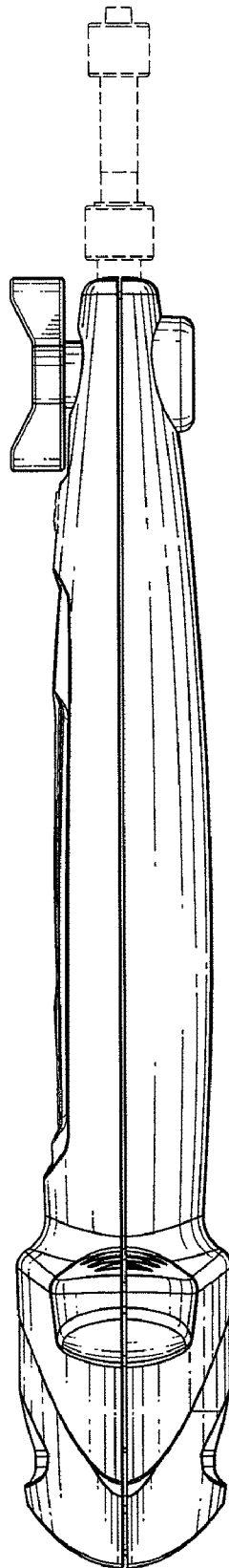


FIG. 4

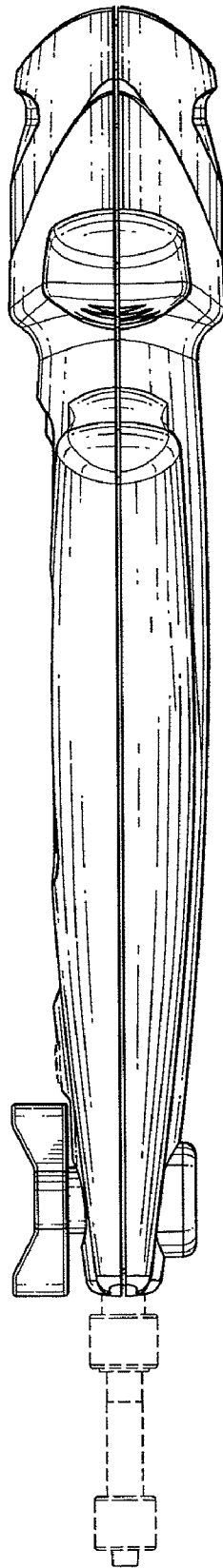


FIG. 5

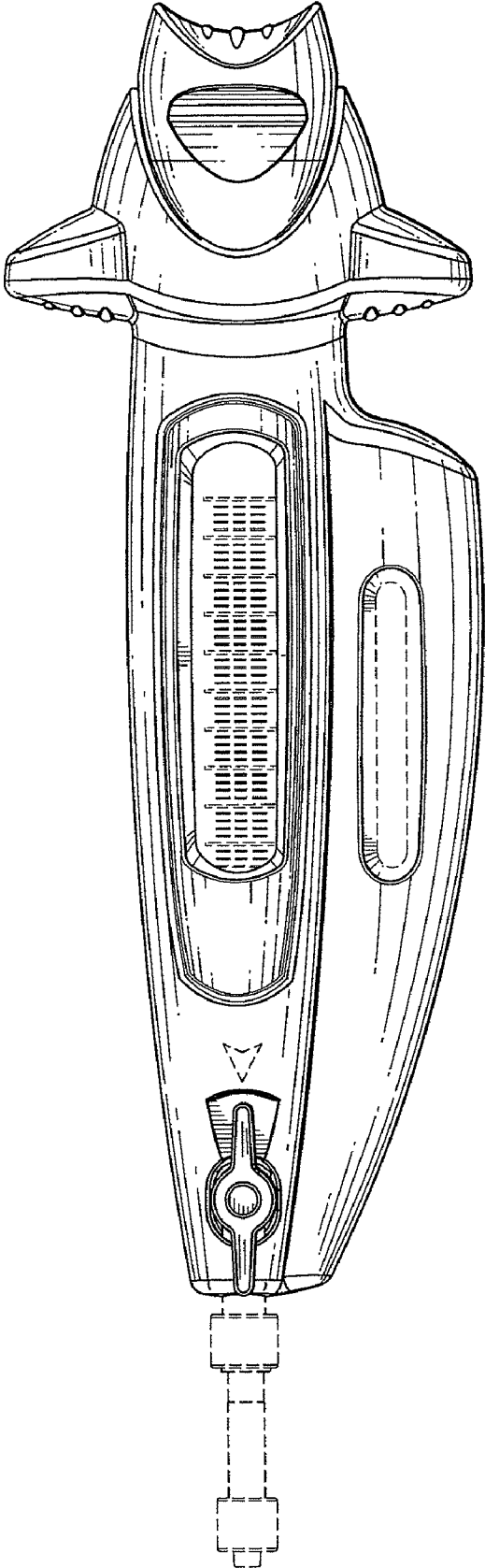


FIG. 6

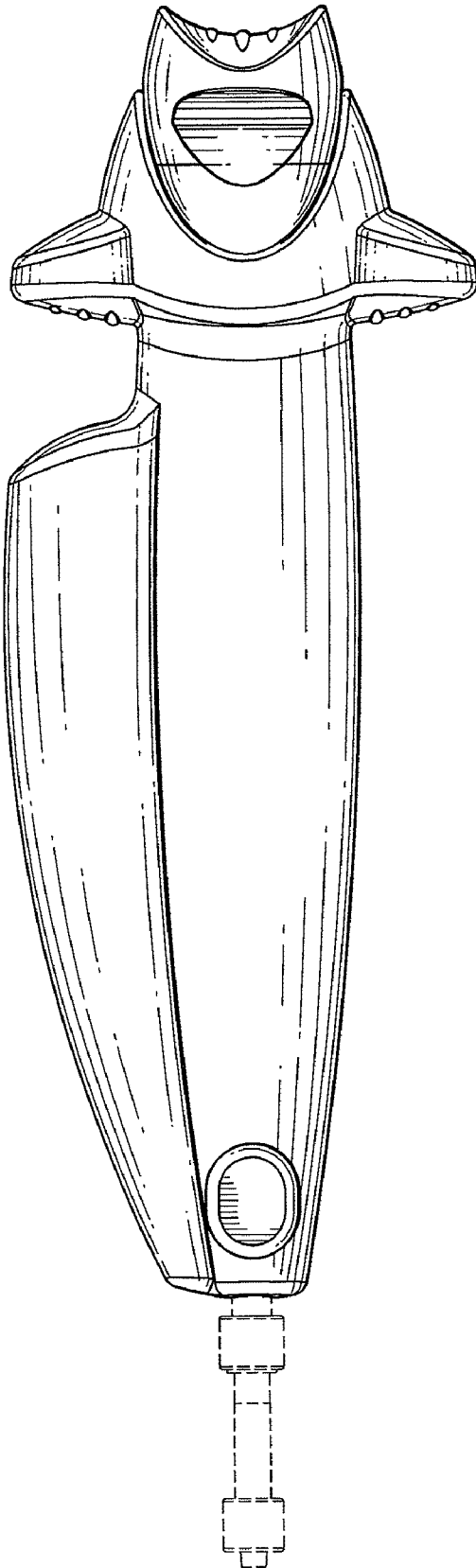


FIG. 7

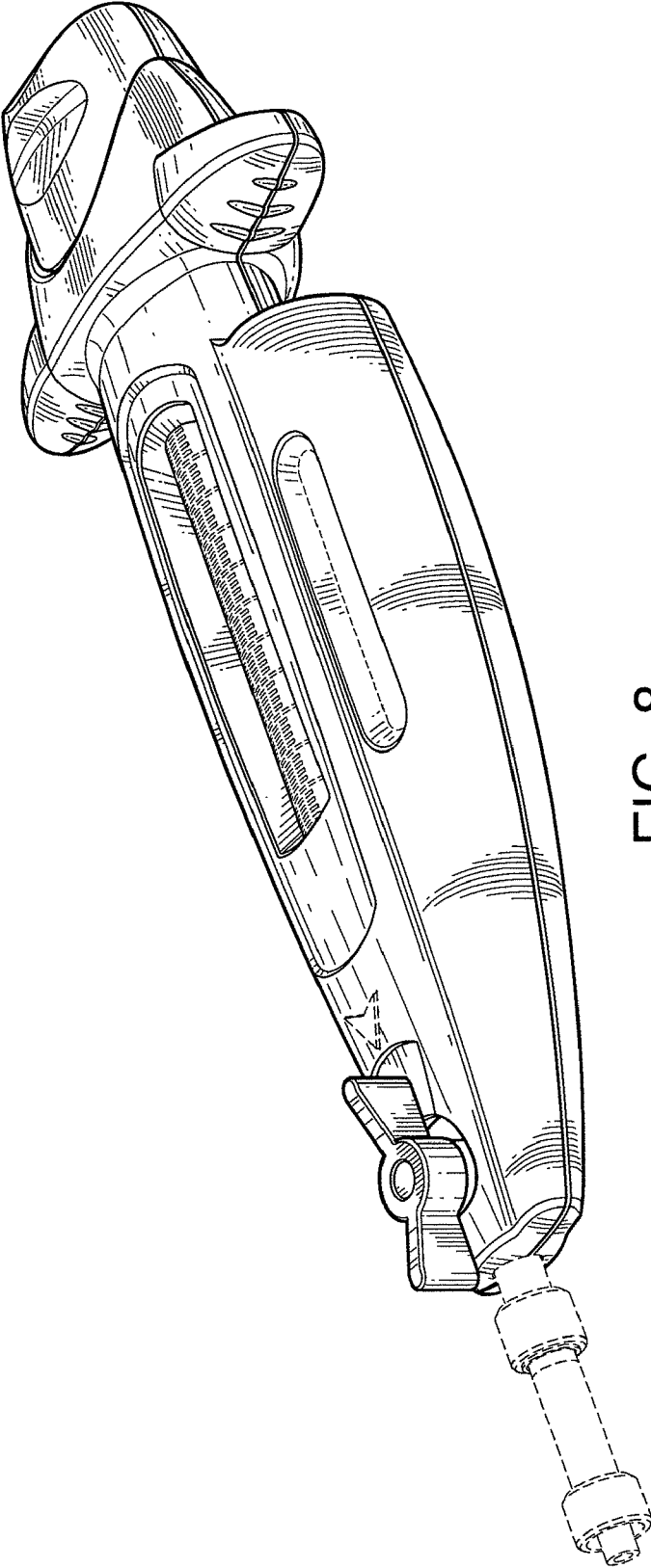


FIG. 8