



US00D837720S

(12) **United States Design Patent**
Schwalbe et al.

(10) **Patent No.:** **US D837,720 S**
(45) **Date of Patent:** **** Jan. 8, 2019**

- (54) **FUEL TANK FOR AGRICULTURAL SPRAYER**
- (71) Applicant: **CNH Industrial America LLC**, New Holland, PA (US)
- (72) Inventors: **Blaine A. Schwalbe**, Valders, WI (US); **Douglas Montgomery**, Downers Grove, IL (US); **Ross P. Christiansen**, Kiel, WI (US)
- (73) Assignee: **CNH Industrial America LLC**, New Holland, PA (US)
- (**) Term: **15 Years**
- (21) Appl. No.: **29/623,422**
- (22) Filed: **Oct. 25, 2017**
- (51) **LOC (11) Cl.** **12-06**
- (52) **U.S. Cl.**
USPC **D12/218; D15/28**
- (58) **Field of Classification Search**
USPC D15/28, 15, 23, 17; D12/218; 280/834, 280/288.4, 830, 124.1, 835; 180/69.4, 180/69.5, 89.12, 900, 225; 220/564, 524, 220/555, 567.2; 123/518-520
CPC B60K 15/00; B60K 15/03; B60K 15/07; B60K 15/0306; B60K 15/063; B60K 15/073; B62D 21/16; F02M 37/0094
See application file for complete search history.

- 6,402,198 B2 * 6/2002 Gollungberg B60K 15/067 280/830
- D562,350 S * 2/2008 Higashikawa D12/218
- D644,160 S * 8/2011 Fries D12/218
- D644,161 S * 8/2011 Fries D12/218
- D647,166 S * 10/2011 Kimball D23/202
- D655,372 S * 3/2012 Kimball D23/202
- D656,520 S * 3/2012 Ortlund D12/218
- D663,325 S * 7/2012 Thunstrom D15/13
- D669,099 S * 10/2012 Ringer D15/28
- D669,100 S * 10/2012 Ringer D15/28
- D673,587 S * 1/2013 Truan D15/28
- D694,167 S * 11/2013 Forsberg D12/218

(Continued)

Primary Examiner — Mark A Goodwin

(74) Attorney, Agent, or Firm — Rebecca L. Henkel; Rickard K. DeMille

(57) **CLAIM**

The ornamental design for a fuel tank for an agricultural sprayer, as shown and described.

DESCRIPTION

FIG. 1 is an isometric view of a fuel tank for an agricultural sprayer in accordance with the present invention on a first side and above;

FIG. 2 is an isometric view of the fuel tank of FIG. 1 from a second side and above;

FIG. 3 is a side elevation view of a first side of the fuel tank of FIG. 1;

FIG. 4 is a side elevation view of a second side of the fuel tank of FIG. 1;

FIG. 5 is a front elevation view of the fuel tank of FIG. 1;

FIG. 6 is a rear elevation of the fuel tank of FIG. 1;

FIG. 7 is a top plan view of the fuel tank of FIG. 1; and, FIG. 8 is a bottom plan view of the fuel tank of FIG. 1.

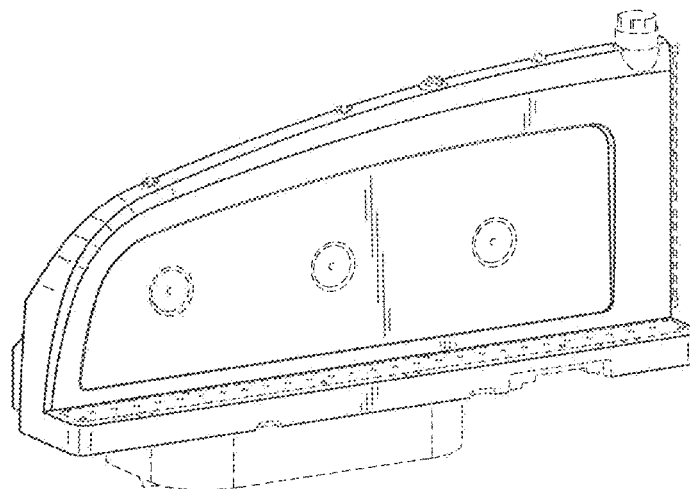
The broken line showing of surface structures is included for the purpose of illustrating portions of the fuel tank for agricultural sprayer and forms no part of the claimed design.

1 Claim, 4 Drawing Sheets

(56) **References Cited**

U.S. PATENT DOCUMENTS

- 4,480,845 A * 11/1984 Hansen B60K 15/00 280/164.1
- D433,425 S * 11/2000 Surridge D15/17
- D435,503 S * 12/2000 Gukeisen D12/218
- D441,710 S * 5/2001 Moehle D12/218



(56)

References Cited

U.S. PATENT DOCUMENTS

8,657,143	B2	*	2/2014	Walker	B60K 15/063	
						220/562	
D728,632	S	*	5/2015	Klassen	D12/218	
D728,633	S	*	5/2015	Klassen	D12/218	
D772,773	S	*	11/2016	Andersen	D12/218	
D803,756	S	*	11/2017	Andersen	D12/218	
D820,765	S	*	6/2018	Hensley	D12/218	

* cited by examiner

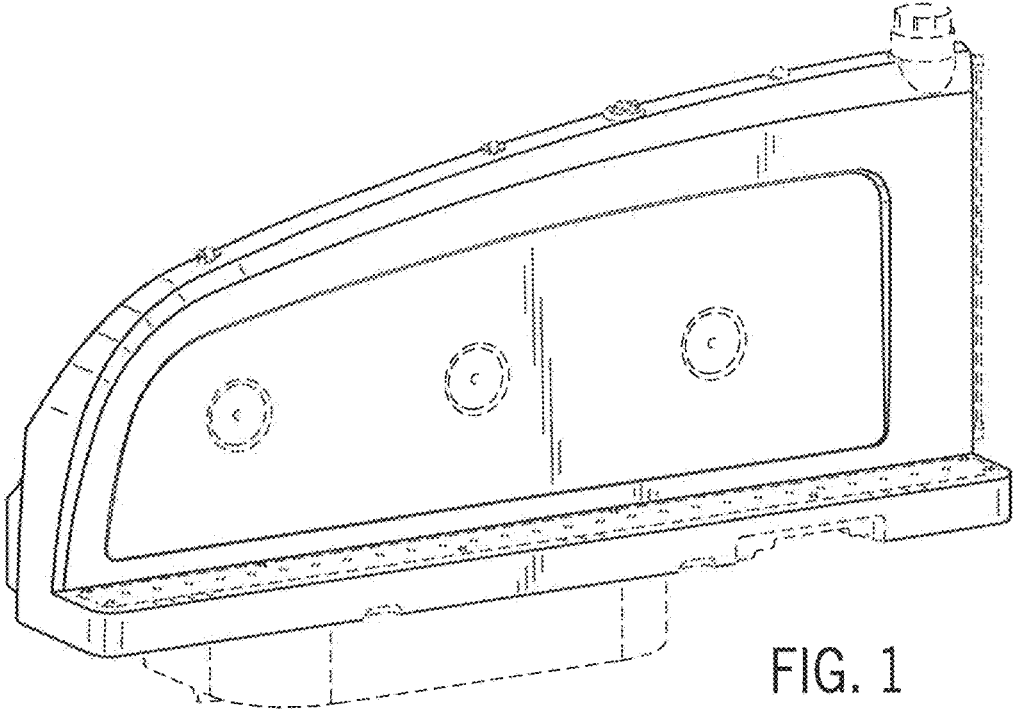


FIG. 1

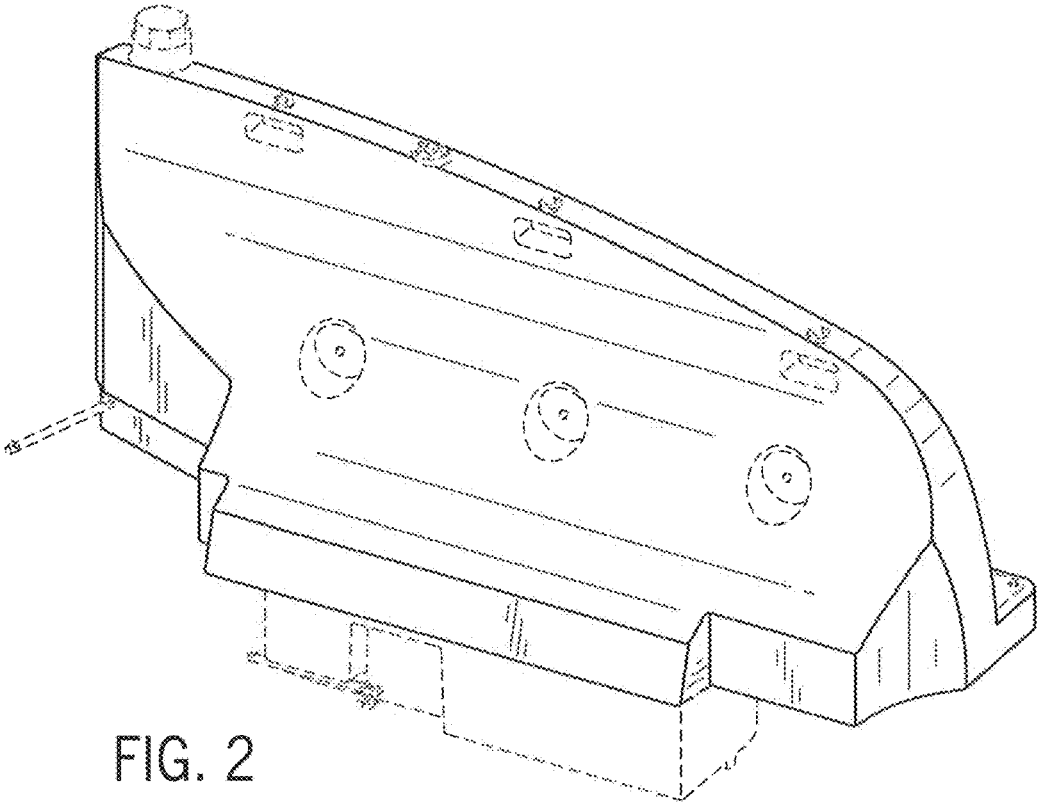


FIG. 2

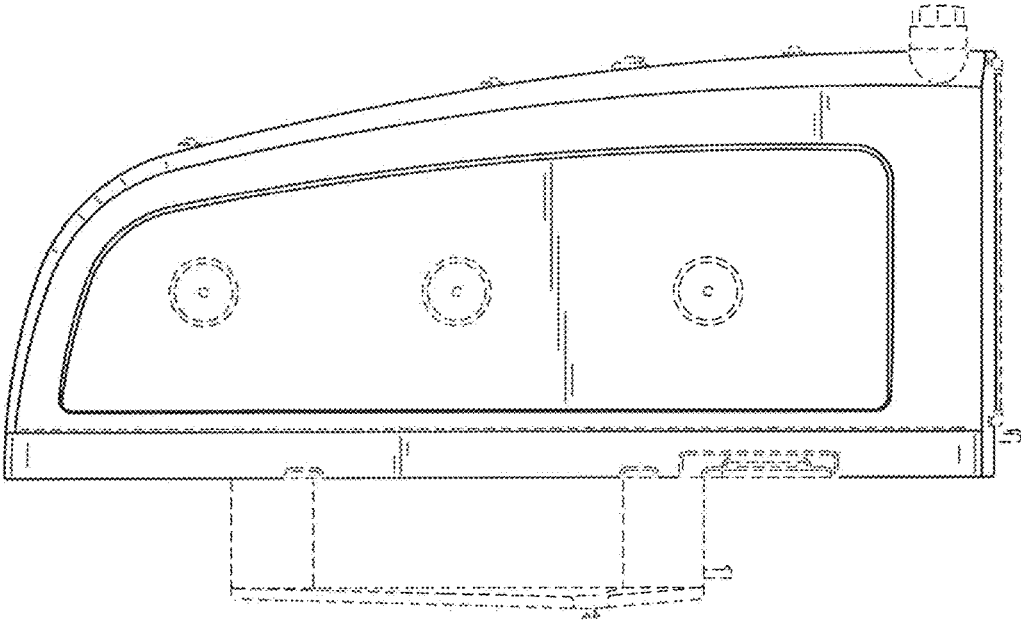


FIG. 3

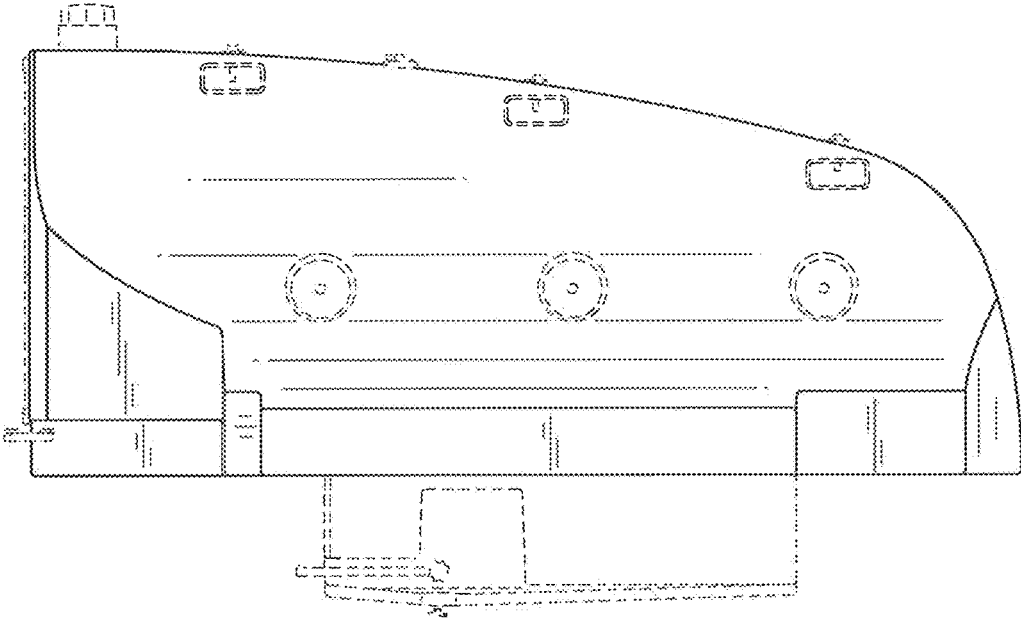


FIG. 4

FIG. 5

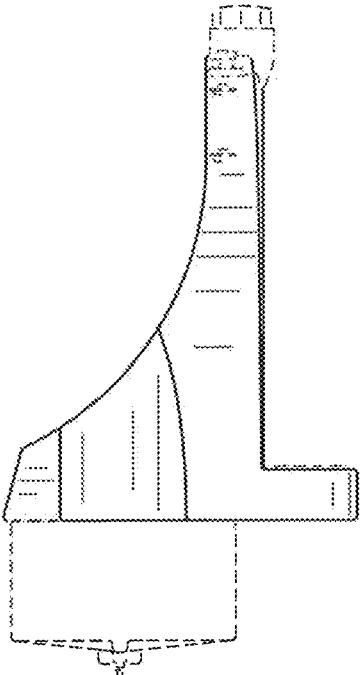
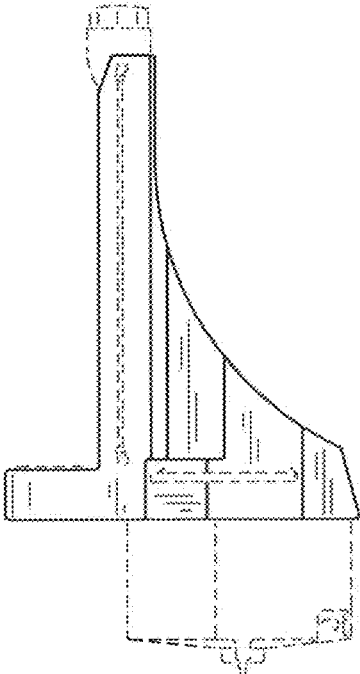


FIG. 6



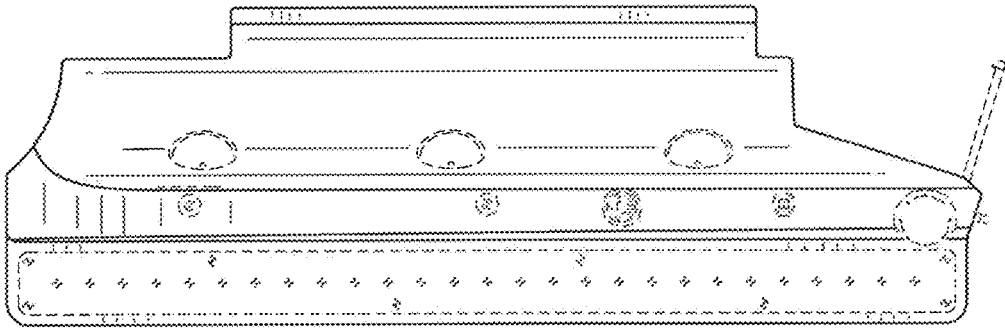


FIG. 7

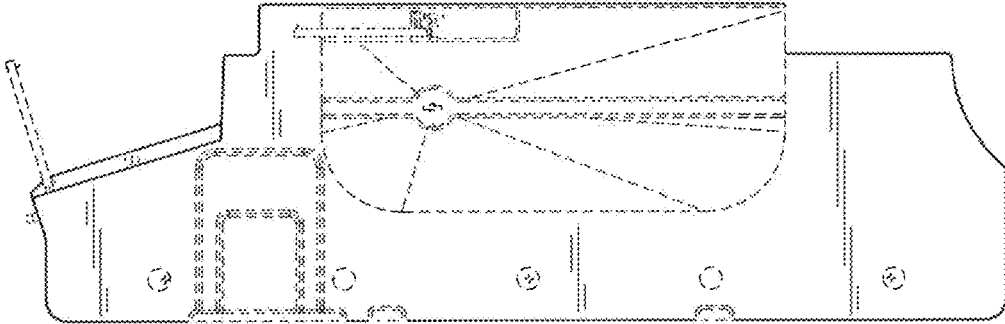


FIG. 8