

(19) World Intellectual Property Organization
International Bureau



(43) International Publication Date
18 May 2007 (18.05.2007)

PCT

(10) International Publication Number
WO 2007/055834 A3

(51) International Patent Classification:
H01Q 1/38 (2006.01)

(21) International Application Number:
PCT/US2006/038597

(22) International Filing Date:
27 September 2006 (27.09.2006)

(25) Filing Language: English

(26) Publication Language: English

(30) Priority Data:
11/263,203 31 October 2005 (31.10.2005) US

(71) Applicant (for all designated States except US): **MO-TOROLA, INC.** [US/US]; 1303 East Algonquin Road, Schaumburg, IL 60196 (US).

(72) Inventors; and

(75) Inventors/Applicants (for US only): **BIT-BABIK, Giorgi** [GE/US]; 9820 N.W. 19th Place, Sunrise, FL 33322 (US). **FARAONE, Antonio** [IT/US]; 10781 Cleary Blvd., Apt. 11-212, Plantation, FL 33324 (US).

(74) Agents: **BROWN, Larry, G.** et al.; 8000 West Sunrise Boulevard, Room 1610, Plantation, FL 33322 (US).

(81) Designated States (unless otherwise indicated, for every kind of national protection available): AE, AG, AL, AM,

AT, AU, AZ, BA, BB, BG, BR, BW, BY, BZ, CA, CH, CN, CO, CR, CU, CZ, DE, DK, DM, DZ, EC, EE, EG, ES, FI, GB, GD, GE, GH, GM, HN, HR, HU, ID, IL, IN, IS, JP, KE, KG, KM, KN, KP, KR, KZ, LA, LC, LK, LR, LS, LT, LU, LV, LY, MA, MD, MG, MK, MN, MW, MX, MY, MZ, NA, NG, NI, NO, NZ, OM, PG, PH, PL, PT, RO, RS, RU, SC, SD, SE, SG, SK, SL, SM, SV, SY, TJ, TM, TN, TR, TT, TZ, UA, UG, US, UZ, VC, VN, ZA, ZM, ZW.

(84) Designated States (unless otherwise indicated, for every kind of regional protection available): ARIPO (BW, GH, GM, KE, LS, MW, MZ, NA, SD, SL, SZ, TZ, UG, ZM, ZW), Eurasian (AM, AZ, BY, KG, KZ, MD, RU, TJ, TM), European (AT, BE, BG, CH, CY, CZ, DE, DK, EE, ES, FI, FR, GB, GR, HU, IE, IS, IT, LT, LU, LV, MC, NL, PL, PT, RO, SE, SI, SK, TR), OAPI (BF, BJ, CF, CG, CI, CM, GA, GN, GQ, GW, ML, MR, NE, SN, TD, TG).

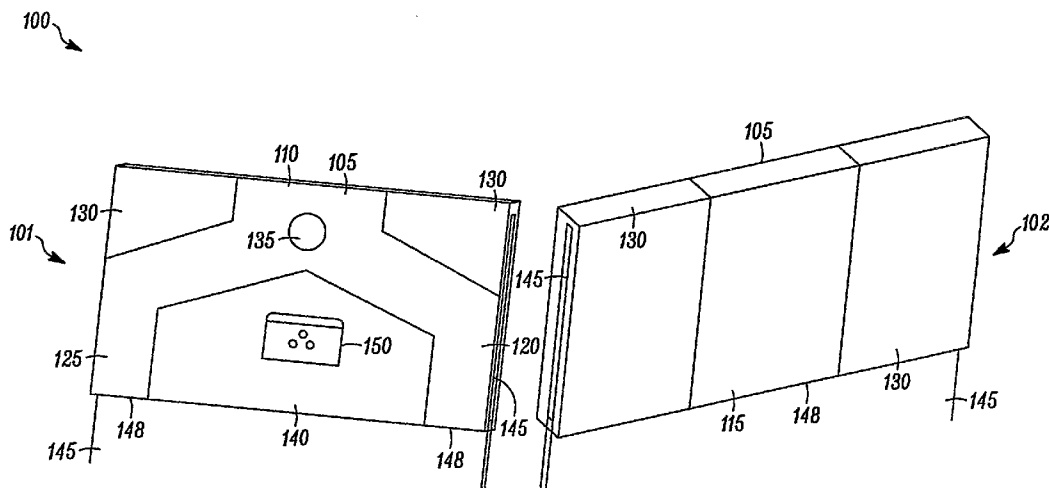
Published:

- with international search report
- before the expiration of the time limit for amending the claims and to be republished in the event of receipt of amendments

(88) Date of publication of the international search report:
6 December 2007

For two-letter codes and other abbreviations, refer to the "Guidance Notes on Codes and Abbreviations" appearing at the beginning of each regular issue of the PCT Gazette.

(54) Title: ANTENNA WITH A SPLIT RADIATOR ELEMENT



(57) Abstract: An antenna can include a dielectric substance (130), a radiator element (105) and a radio frequency feed point (135). As an example, the radiator element (105) can have at least a first portion (110) and a second portion (115) coupled to one another and folded about the dielectric substance (130). In one arrangement, the radiator element (105) can be split into a plurality of radiator branches (120, 125) in at least one of the first portion (110) and the second portion (115) of the radiator element (105).



WO 2007/055834 A3

INTERNATIONAL SEARCH REPORT

International application No.
PCT/US06/38597

A. CLASSIFICATION OF SUBJECT MATTER
IPC(8) - H01Q 1/38 (2007.01)
USPC - 343/702
According to International Patent Classification (IPC) or to both national classification and IPC

B. FIELDS SEARCHED
Minimum documentation searched (classification system followed by classification symbols)
IPC(8) - H01Q 1/38 (2007.01)
USPC - 343/700MS, 702

Documentation searched other than minimum documentation to the extent that such documents are included in the fields searched

Electronic data base consulted during the international search (name of data base and, where practicable, search terms used)
MicroPatent

C. DOCUMENTS CONSIDERED TO BE RELEVANT

Category*	Citation of document, with indication, where appropriate, of the relevant passages	Relevant to claim No.
X ---	US 6,124,831 A (RUTKOWSKI et al) 26 September 2000 (26.09.2000) entire document	1, 3, 4, 6-8, 11
Y		----- 2, 5, 9, 10
Y	US 2002/0163470 A1 (NAGUMO et al) 07 November 2002 (07.11.2002) entire document	2, 5, 9, 10
A	EP 1445822 A1 (OTAKA et al) 11 August 2004 (11.08.2004) entire document	1-11
A	US 6,337,663 B1 (CHI MING) 08 January 2002 (08.01.2002) entire document	1-11

Further documents are listed in the continuation of Box C.

* Special categories of cited documents:
 "A" document defining the general state of the art which is not considered to be of particular relevance
 "E" earlier application or patent but published on or after the international filing date
 "L" document which may throw doubts on priority claim(s) or which is cited to establish the publication date of another citation or other special reason (as specified)
 "O" document referring to an oral disclosure, use, exhibition or other means
 "P" document published prior to the international filing date but later than the priority date claimed
 "T" later document published after the international filing date or priority date and not in conflict with the application but cited to understand the principle or theory underlying the invention
 "X" document of particular relevance; the claimed invention cannot be considered novel or cannot be considered to involve an inventive step when the document is taken alone
 "Y" document of particular relevance; the claimed invention cannot be considered to involve an inventive step when the document is combined with one or more other such documents, such combination being obvious to a person skilled in the art
 "&" document member of the same patent family

Date of the actual completion of the international search
02 June 2007
Date of mailing of the international search report
25-SEP-2007

Name and mailing address of the ISA/US
Mail Stop PCT, Attn: ISA/US, Commissioner for Patents
P.O. Box 1450, Alexandria, Virginia 22313-1450
Facsimile No. 571-273-3201
Authorized officer:
Blaine R. Copenheaver
PCT Helpdesk: 571-272-4300
PCT OSP: 571-272-7774