



US00D722377S

(12) **United States Design Patent**
Schramski et al.

(10) **Patent No.:** **US D722,377 S**

(45) **Date of Patent:** **** Feb. 10, 2015**

(54) **VENT**

(75) Inventors: **Adam Schramski**, Mishawaka, IN (US);
Mike Dittrich, Granger, IN (US)

(73) Assignee: **B&B Molders, LLC**, Mishawaka, IN
(US)

(**) Term: **14 Years**

(21) Appl. No.: **29/423,519**

(22) Filed: **Jun. 1, 2012**

(51) **LOC (10) Cl.** **23-04**

(52) **U.S. Cl.**
USPC **D23/393**

(58) **Field of Classification Search**
USPC D23/385-395, 397, 370-373, 365, 354,
D23/399-403, 421, 499; 454/309, 275-277,
454/284, 287-291, 358-363; 52/302.1,
52/32.07; 285/229, 189, 183, 123.1, 15,
285/114, 110, 424, 197

See application file for complete search history.

(56) **References Cited**

U.S. PATENT DOCUMENTS

D267,335 S *	12/1982	Axel et al.	D23/245
D289,680 S *	5/1987	Heob	D23/386
D298,051 S *	10/1988	Matheson et al.	D23/365
D324,907 S *	3/1992	Cook	D23/328
D360,029 S *	7/1995	Yoshikawa	D23/365
D380,038 S	6/1997	Bailey		
5,667,256 A	9/1997	Caine		
D387,859 S *	12/1997	Ukai et al.	D23/371

D408,906 S *	4/1999	Toscano et al.	D23/411
D437,042 S *	1/2001	Kapturowski	D23/370
6,468,147 B1	10/2002	Thomas		
D485,339 S *	1/2004	Klug et al.	D23/365
D488,857 S *	4/2004	Wintersteen et al.	D23/370
D546,435 S *	7/2007	Guzorek	D23/370
D550,589 S	9/2007	Brockington et al.		
D574,479 S	8/2008	Brockington et al.		
D636,863 S *	4/2011	Isoda et al.	D23/370
D649,229 S	11/2011	Caine et al.		
D681,184 S *	4/2013	Romero Carreras	D23/370

* cited by examiner

Primary Examiner — David Muller

(74) *Attorney, Agent, or Firm* — Barnes & Thornburg LLP

(57) **CLAIM**

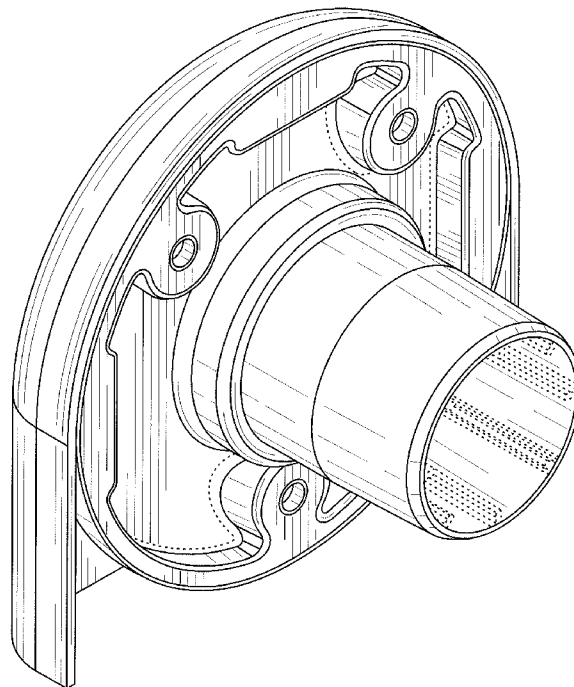
We claim the ornamental design for a vent, as shown and described.

DESCRIPTION

FIG. 1 is a top plan view of a vent representing an embodiment of the present invention;
 FIG. 2 is a bottom plan view of the vent depicted in FIG. 1;
 FIG. 3 is a right side plan view of the vent depicted in FIG. 1, with the left side being a mirror image thereof;
 FIG. 4 is a front plan view of the vent depicted in FIG. 1;
 FIG. 5 is a rear plan view of the vent depicted in FIG. 1;
 FIG. 6 is a front perspective view of the vent depicted in FIG. 1; and,
 FIG. 7 is a rear perspective view of the vent depicted in FIG. 1.

The features shown in broken lines do not form any part of the claimed design.

1 Claim, 6 Drawing Sheets



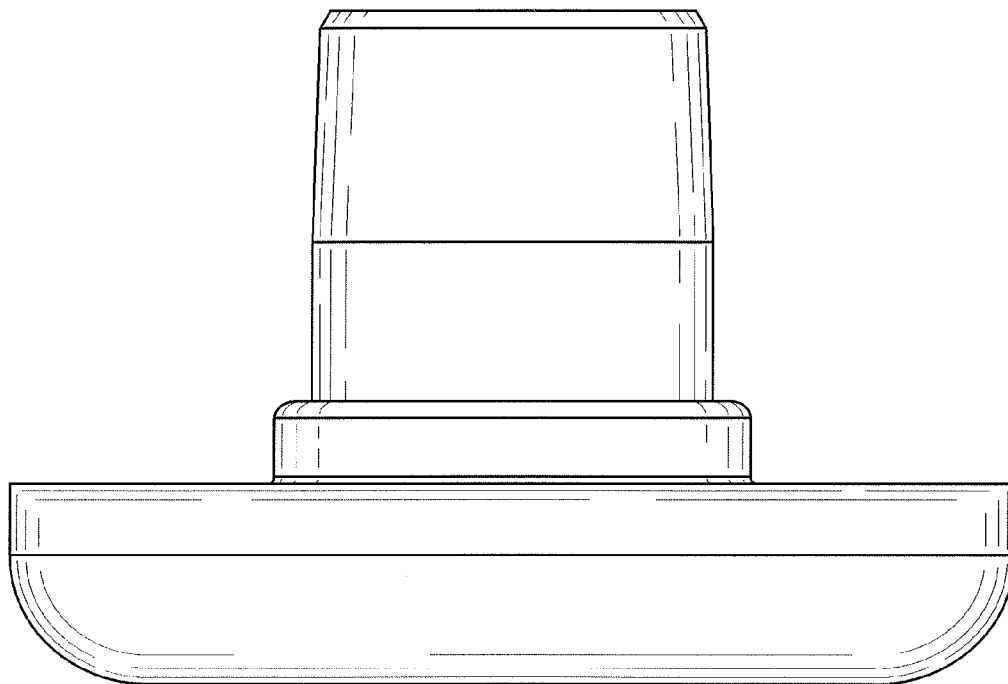


FIG. 1

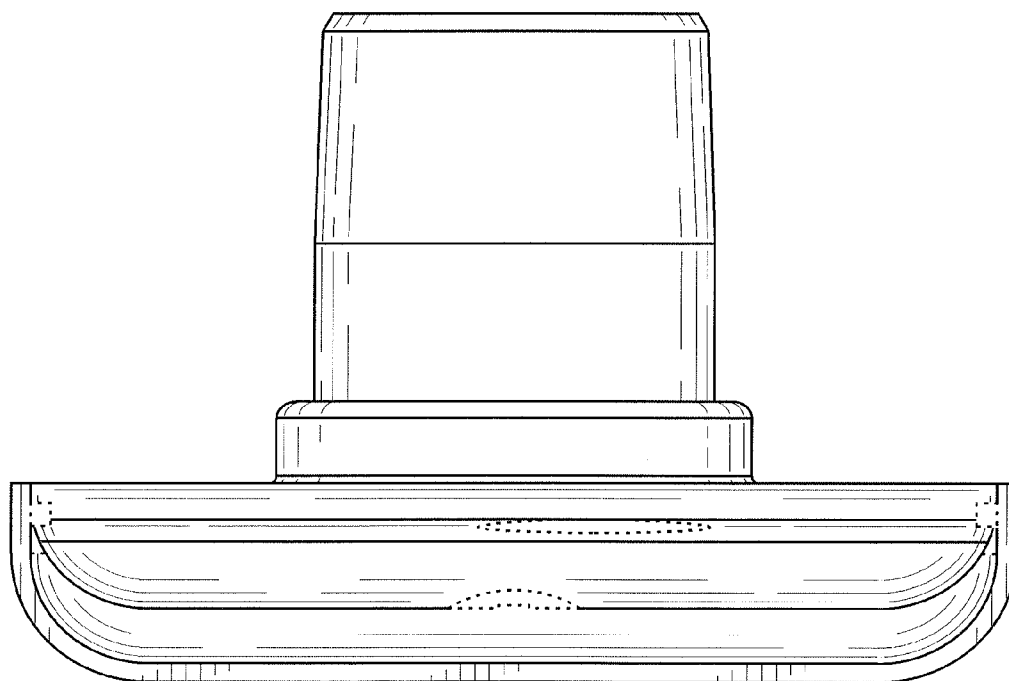


FIG. 2

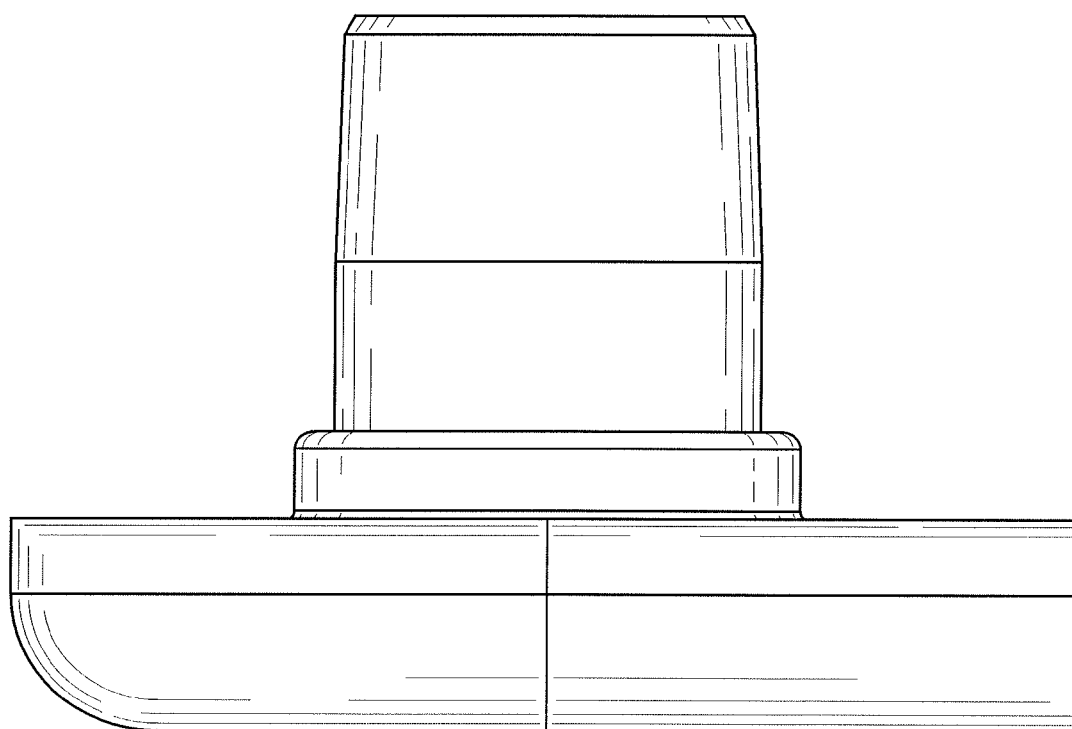


FIG. 3

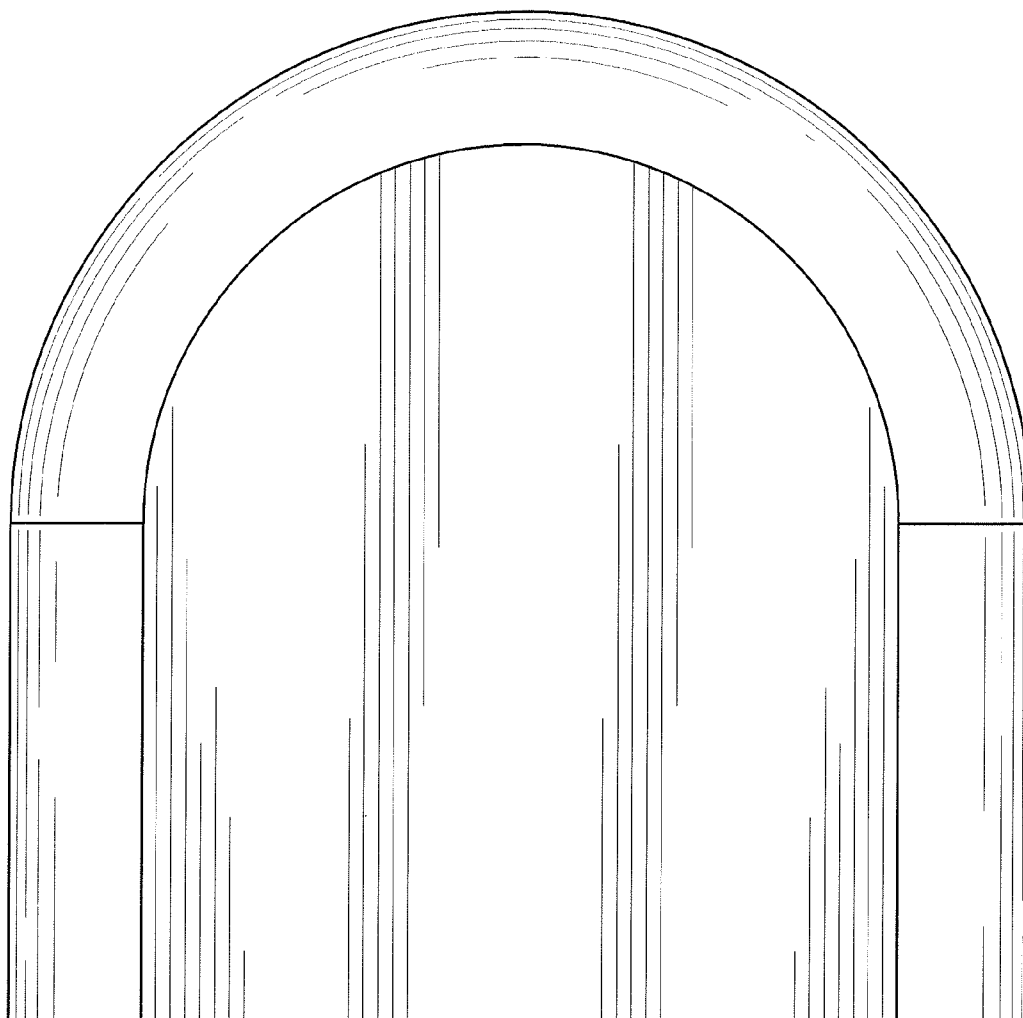


FIG. 4

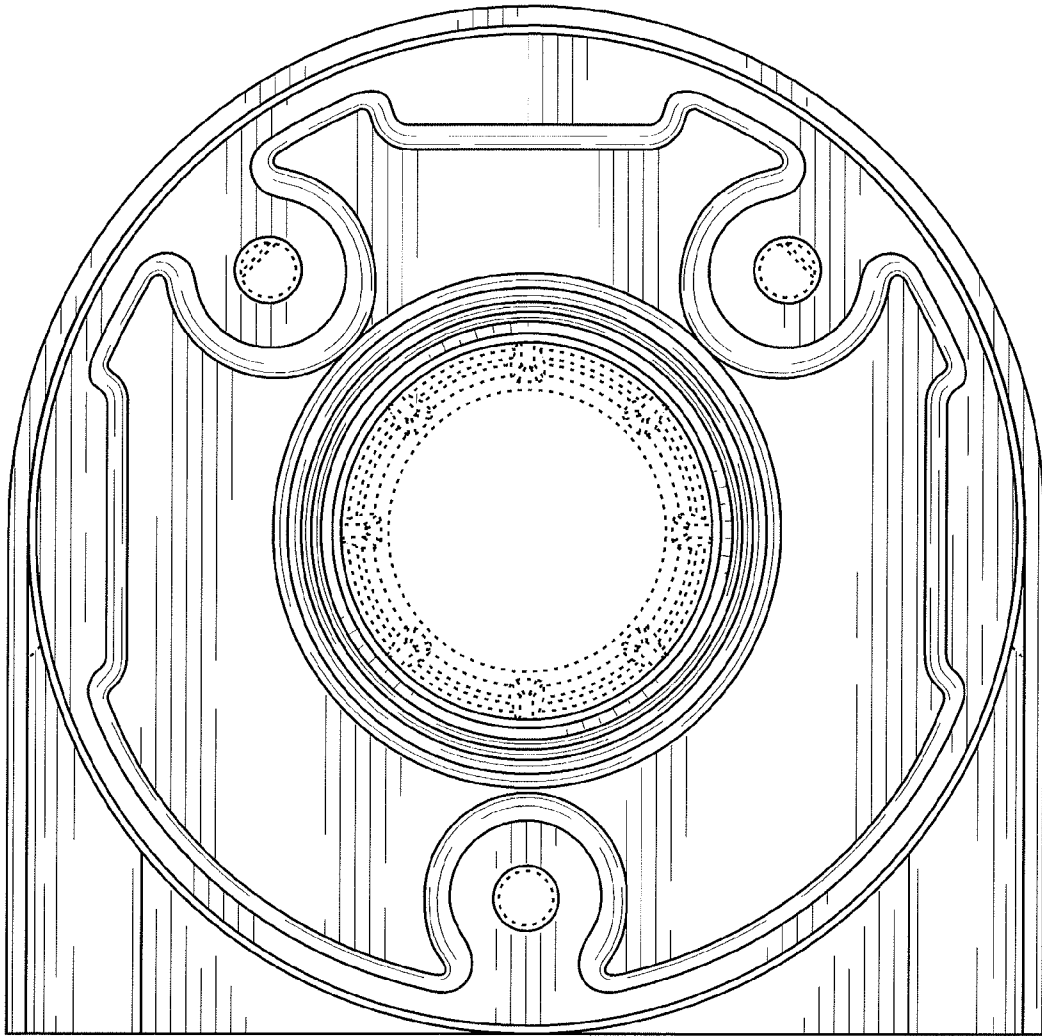


FIG. 5

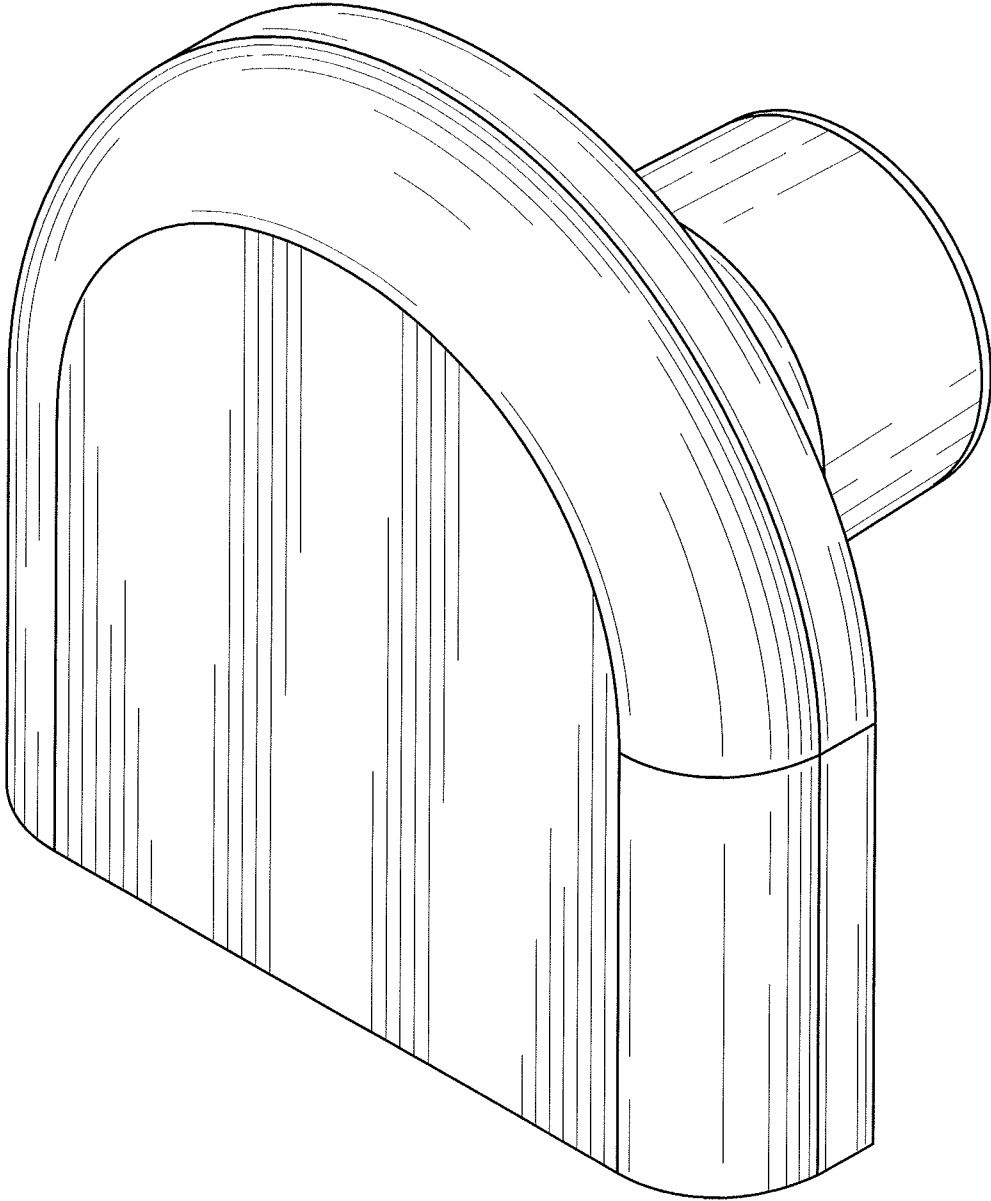


FIG. 6

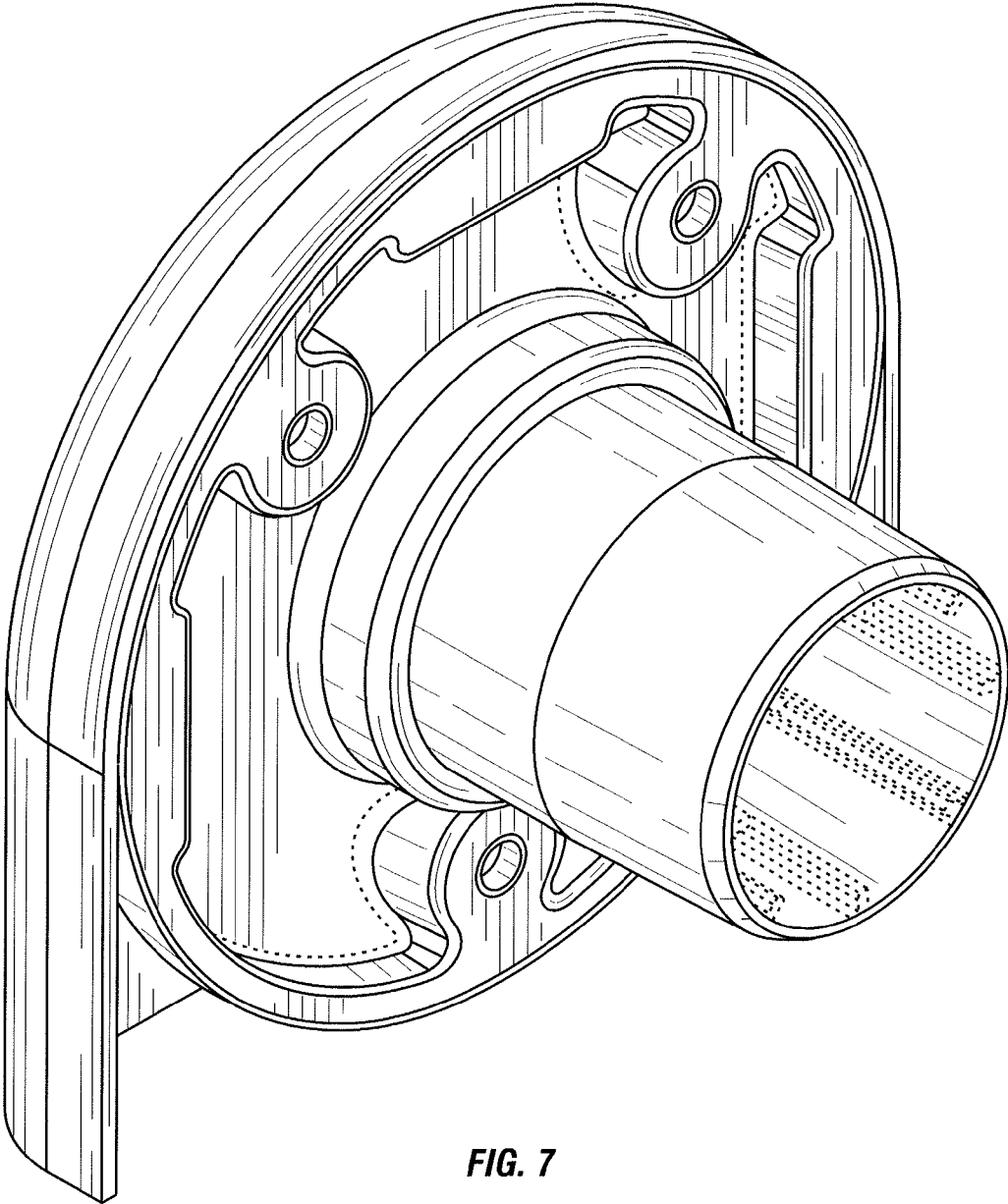


FIG. 7