



US00D984591S

(12) **United States Design Patent**
Yang et al.

(10) **Patent No.:** **US D984,591 S**

(45) **Date of Patent:** **** Apr. 25, 2023**

(54) **FAUCET KIT**

(71) Applicant: **XIAMEN LOTA INTERNATIONAL CO., LTD.**, Xiamen (CN)

(72) Inventors: **Yanping Yang**, Xiamen (CN); **Fahong Chen**, Xiamen (CN); **Yunlong Xie**, Xiamen (CN); **Liming Ye**, Xiamen (CN); **Chuanbao Zhu**, Xiamen (CN)

(73) Assignee: **XIAMEN LOTA INTERNATIONAL CO., LTD.**, Xiamen (CN)

(**) Term: **15 Years**

(21) Appl. No.: **29/843,486**

(22) Filed: **Jun. 21, 2022**

(51) **LOC (14) Cl.** **23-01**

(52) **U.S. Cl.**
USPC **D23/242**

(58) **Field of Classification Search**
USPC D23/238, 241–243, 249–250, 252, 254;
D8/307–308, 352
See application file for complete search history.

(56) **References Cited**

U.S. PATENT DOCUMENTS

D321,750	S *	11/1991	Spangler	D23/241
5,127,427	A *	7/1992	Kajpust	E03C 1/0402 251/351
D383,194	S *	9/1997	Doughty	D23/249
D399,925	S *	10/1998	Lord	D23/241
D438,292	S *	2/2001	Lord	D23/249
6,301,728	B1 *	10/2001	Pilatowicz	E03C 1/0402 4/677
D468,403	S *	1/2003	Panis	D23/242
6,619,567	B1 *	9/2003	Ouyoung	E03C 1/0404 239/443
D509,566	S *	9/2005	Yegyayan	D23/249

D523,113	S *	6/2006	Koury	D23/249
D529,137	S *	9/2006	Chu	D23/242
D547,830	S *	7/2007	Veltz	D23/252

(Continued)

OTHER PUBLICATIONS

Project Source Brice Chrome 2-handle Low-arc Kitchen Faucet (Deck Plate Included): <https://www.lowes.com/pd/Project-Source-Chrome-2-Handle-Deck-Mount-Low-Arc-Handle-Lever-Residential-Kitchen-Faucet/1000792132> (Year: 2019).*

(Continued)

Primary Examiner — Robert A Delehanty

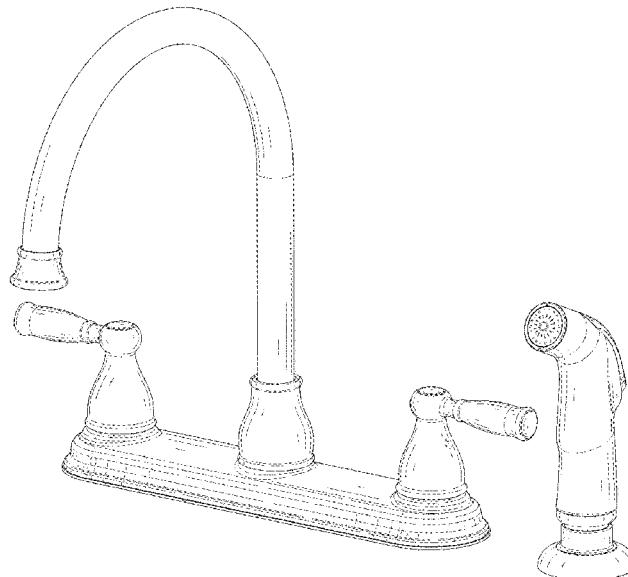
(57) **CLAIM**

The ornamental design for a faucet kit, as shown and described.

DESCRIPTION

FIG. 1 is a perspective view of a first embodiment of a faucet kit showing our new design;
FIG. 2 is another perspective view thereof;
FIG. 3 is a front elevational view thereof;
FIG. 4 is a rear elevational view thereof;
FIG. 5 is a left side elevational view thereof;
FIG. 6 is a right side elevational view thereof;
FIG. 7 is a top plan view thereof;
FIG. 8 is a bottom plan view thereof;
FIG. 9 is a perspective view of a second embodiment of the faucet kit;
FIG. 10 is another perspective view thereof;
FIG. 11 is a front elevational view thereof;
FIG. 12 is a rear elevational view thereof;
FIG. 13 is a left side elevational view thereof;
FIG. 14 is a right side elevational view thereof;
FIG. 15 is a top plan view thereof; and,
FIG. 16 is a bottom plan view thereof.
The broken lines in the drawings depict portions of the faucet kit that form no part of the claimed design.

1 Claim, 16 Drawing Sheets



(56)

References Cited

U.S. PATENT DOCUMENTS

7,322,535 B2 * 1/2008 Erdely E03C 1/0404
239/428
9,234,335 B2 * 1/2016 Thomas E03C 1/04
D820,409 S * 6/2018 Zeng D23/242
D855,769 S 8/2019 Eads
D874,614 S 2/2020 Lazarini
2006/0169801 A1 * 8/2006 Zhu B05B 15/00
239/525

OTHER PUBLICATIONS

Project Source Brice Stainless Steel 2-handle High-arc Kitchen
Faucet with Sprayer Function (Deck Plate Included): [https://www.
lowes.com/pd/Project-Source-Two-Lever-Handle-Kitchen-Faucet/
1002861472](https://www.lowes.com/pd/Project-Source-Two-Lever-Handle-Kitchen-Faucet/1002861472) (Year: 2021).*

* cited by examiner

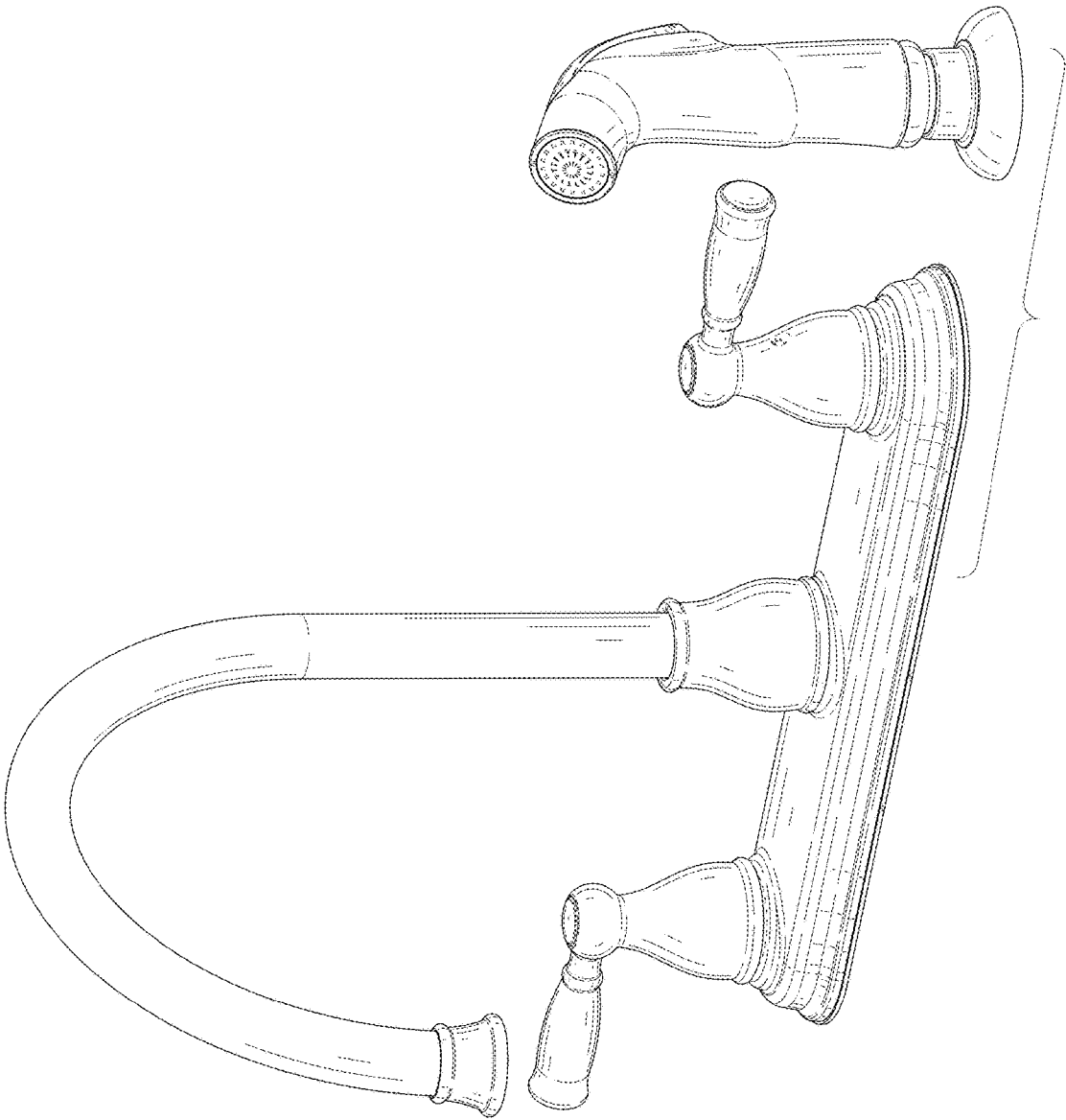


FIG. 1

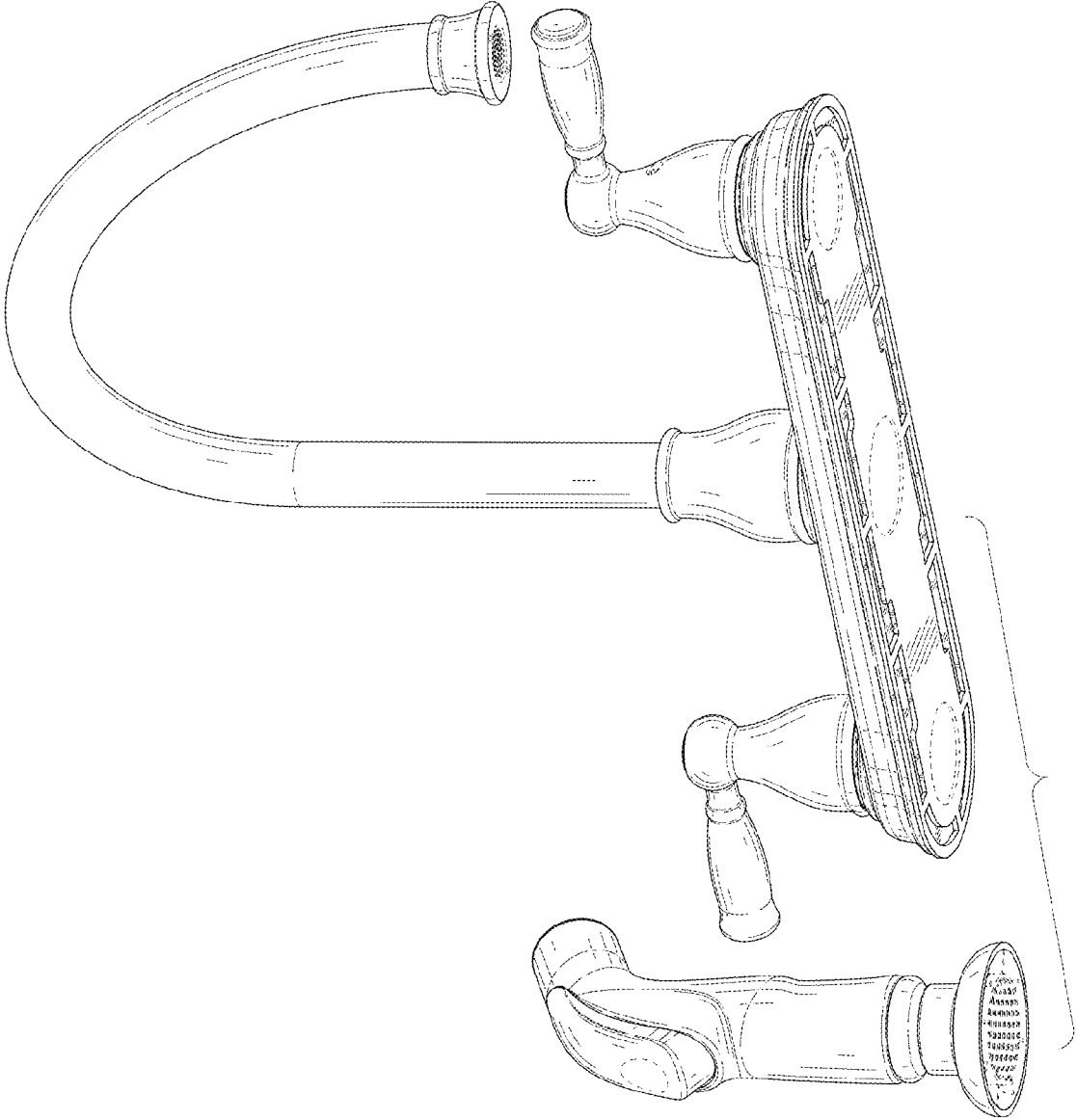


FIG. 2

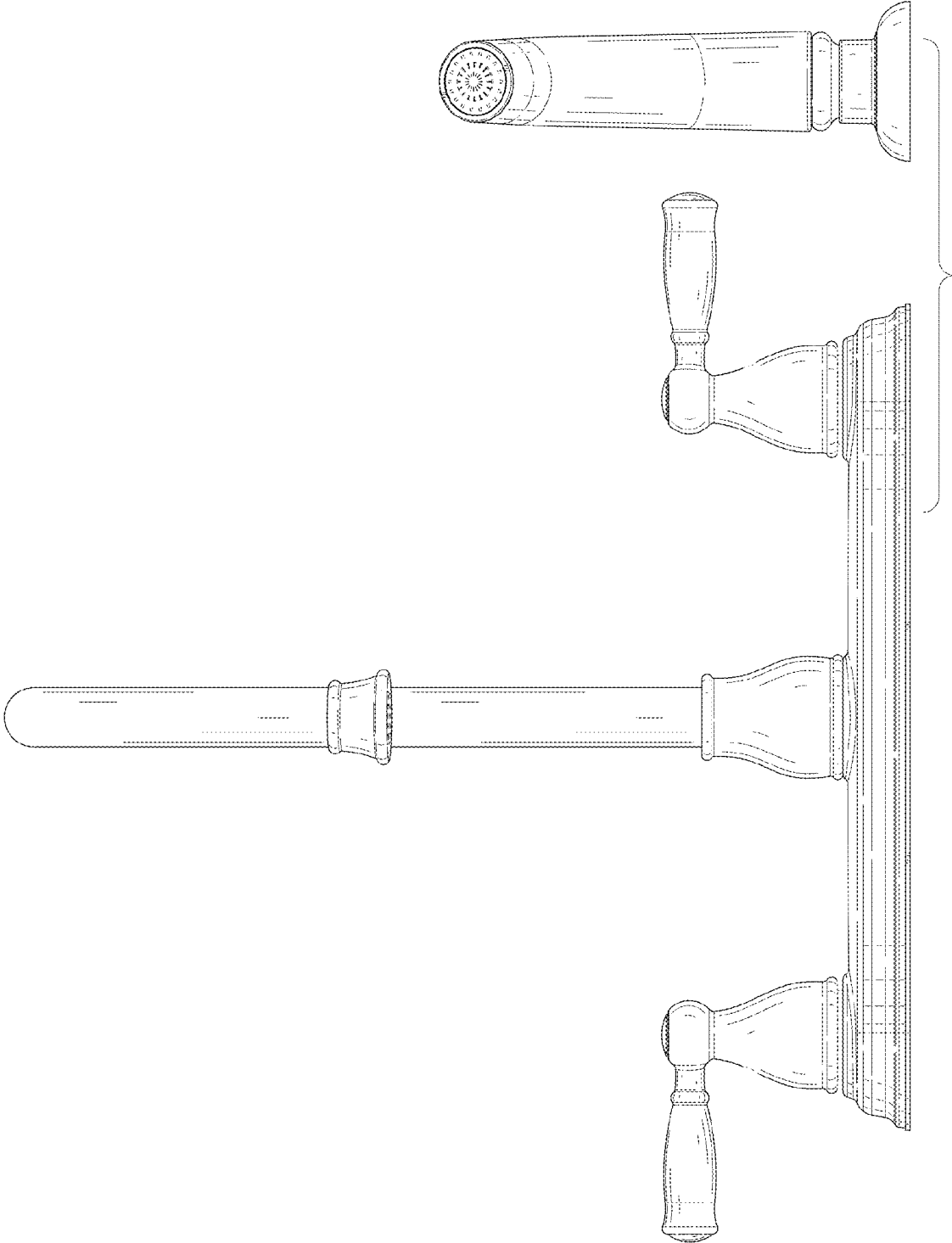


FIG. 3

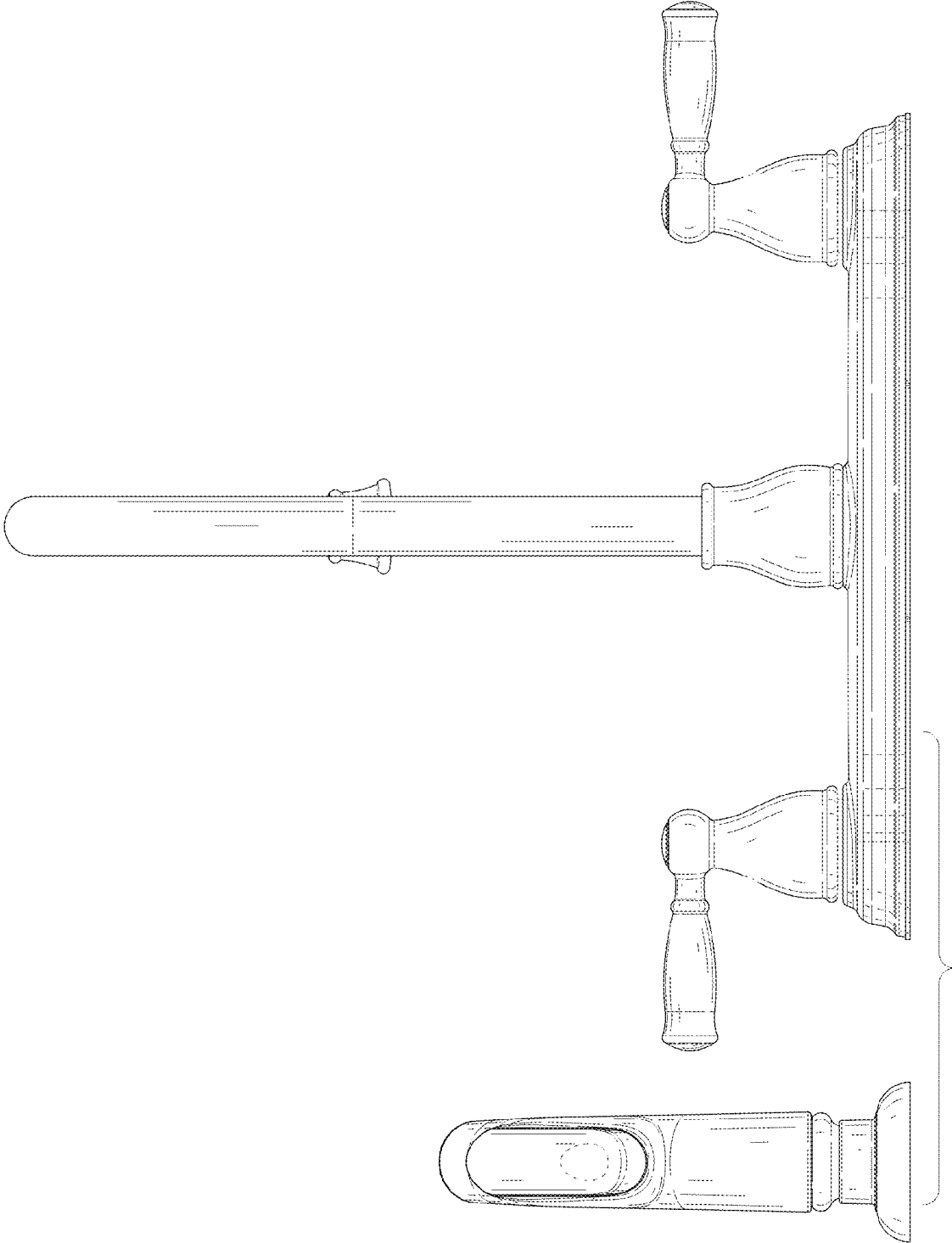


FIG. 4

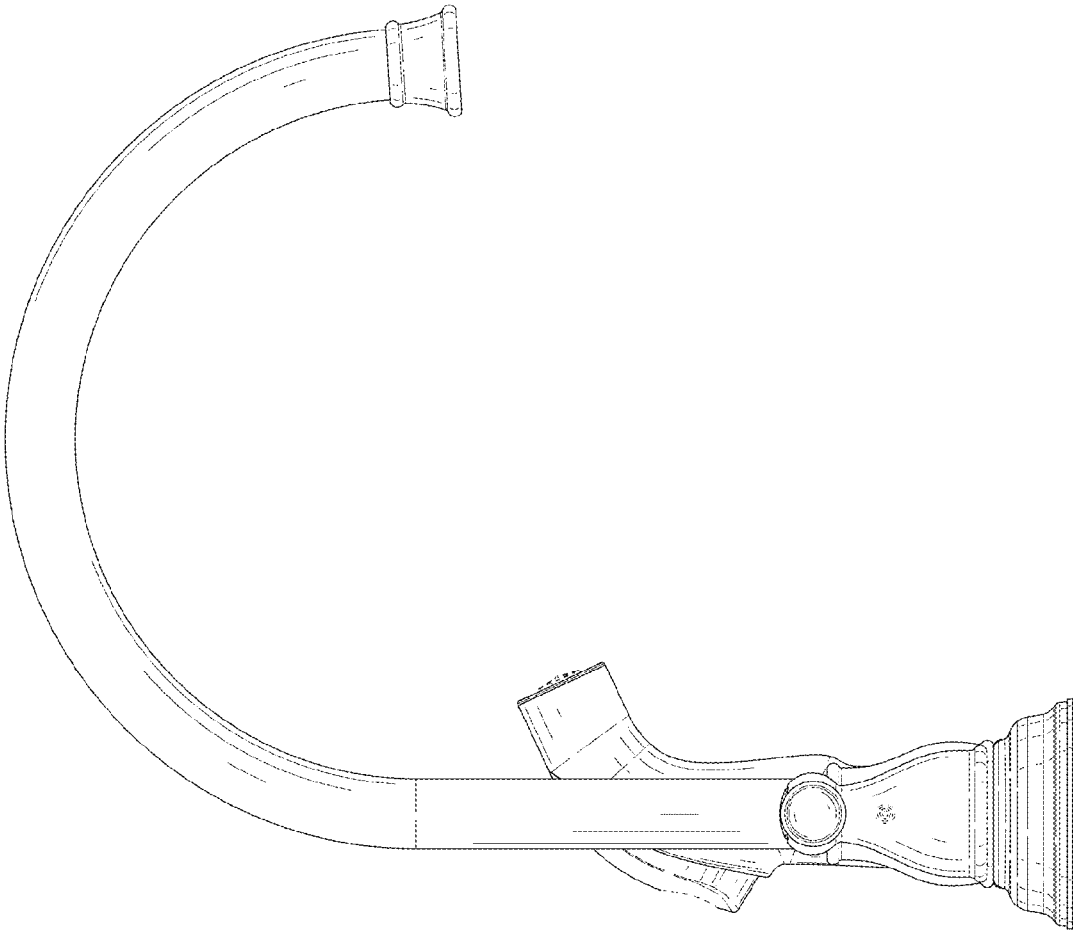


FIG. 5

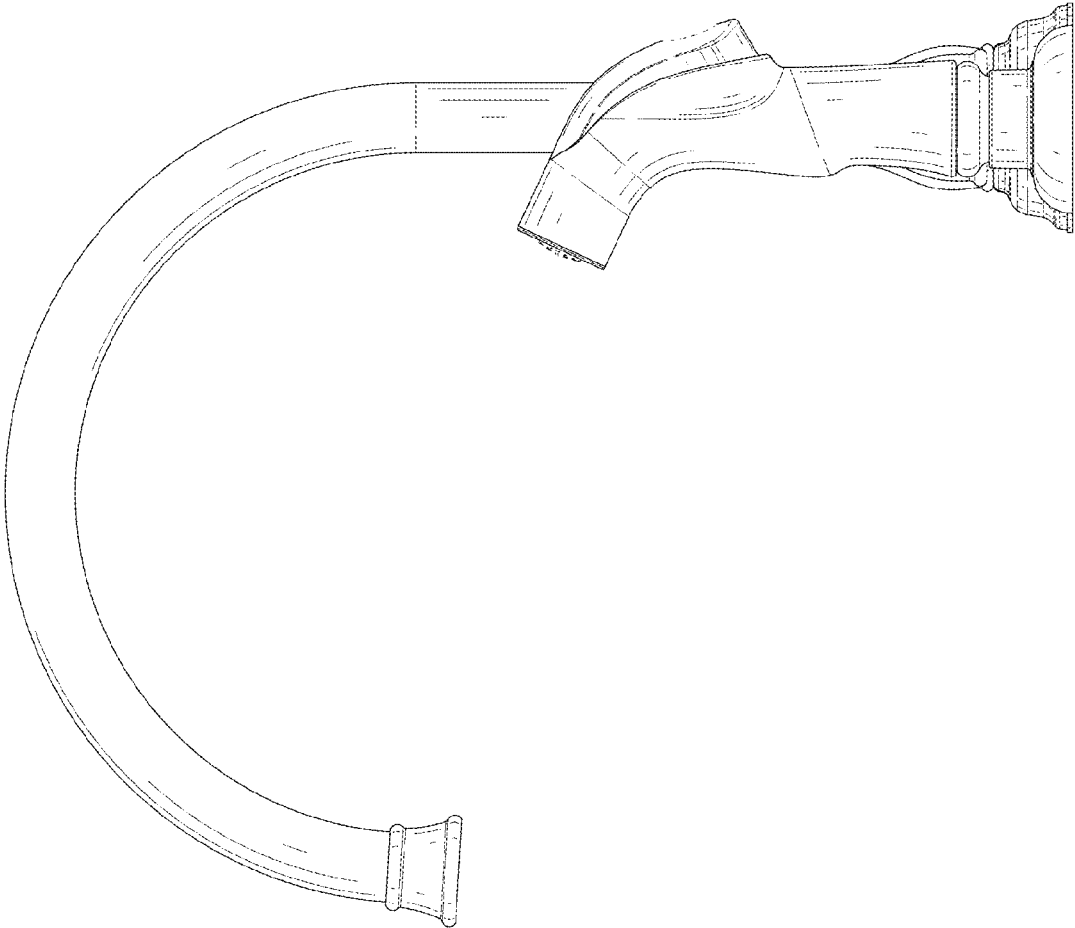


FIG. 6

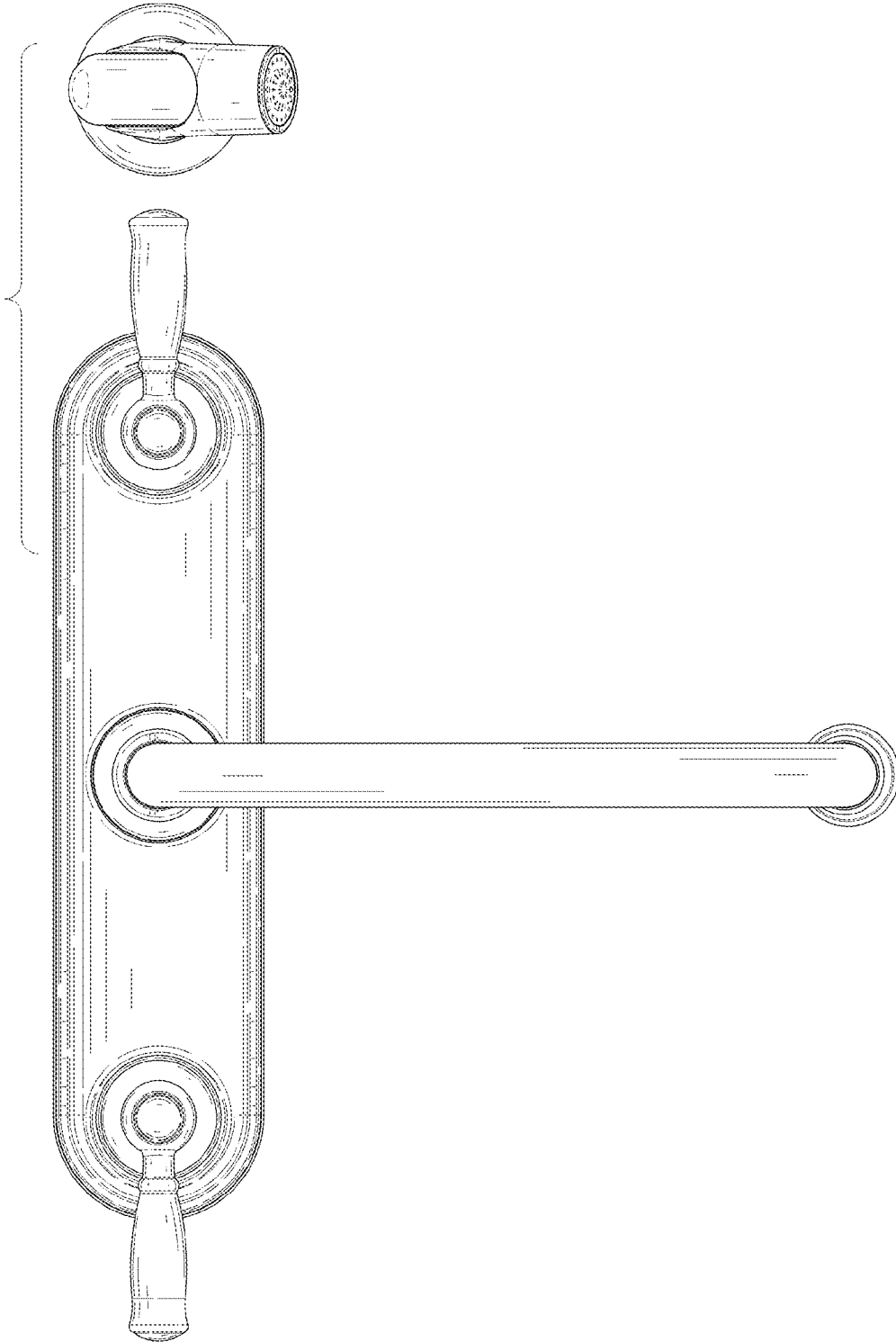


FIG. 7

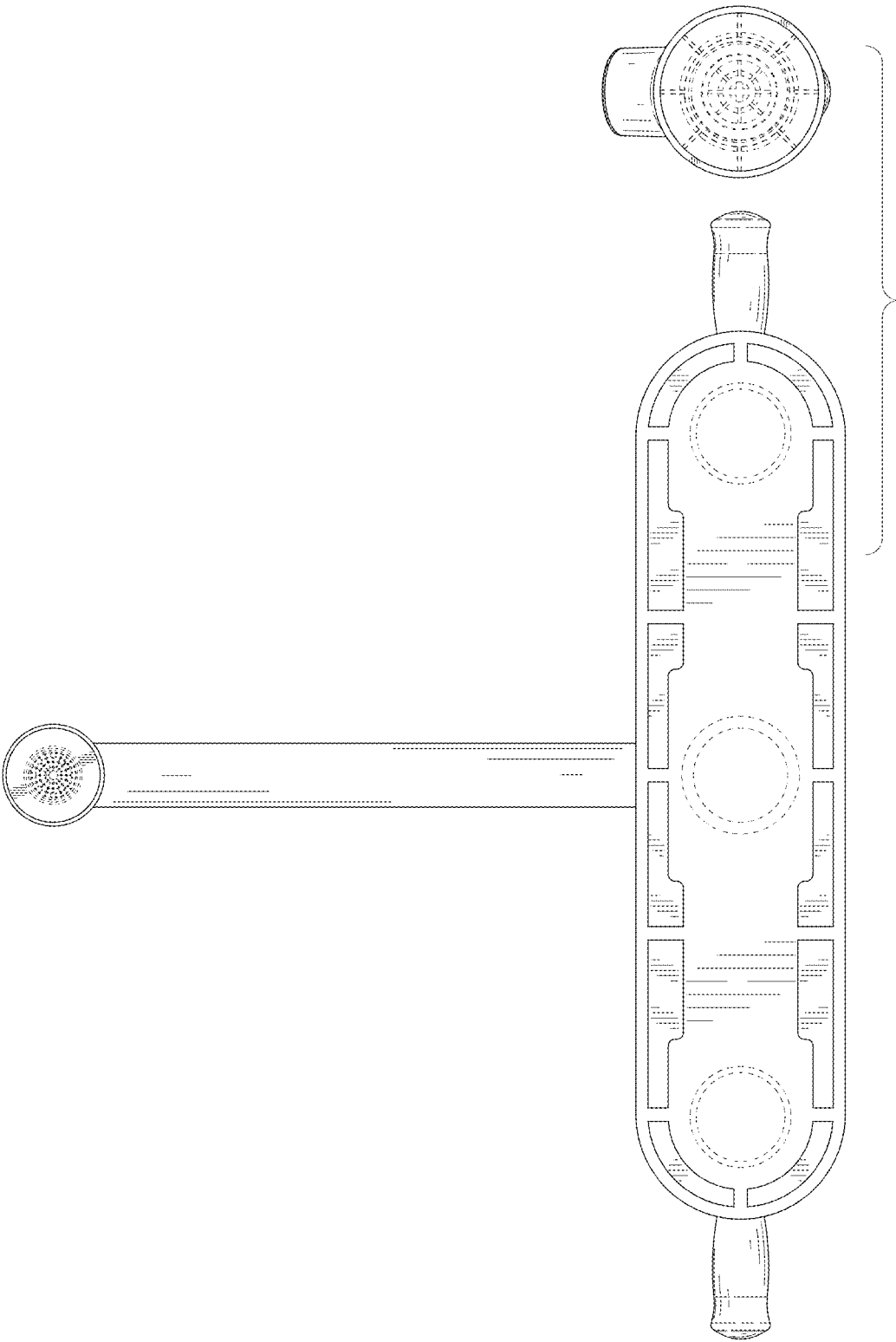


FIG. 8

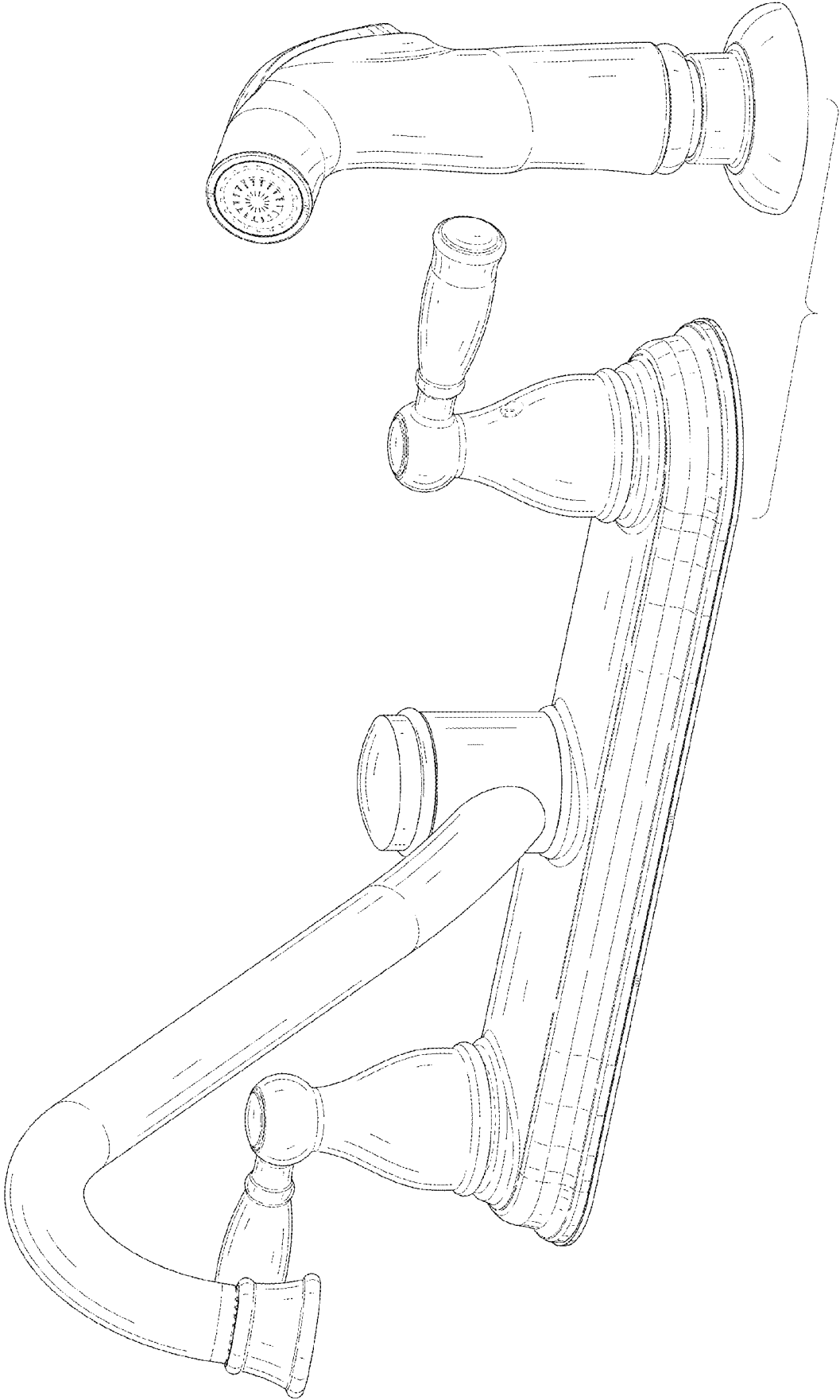


FIG. 9

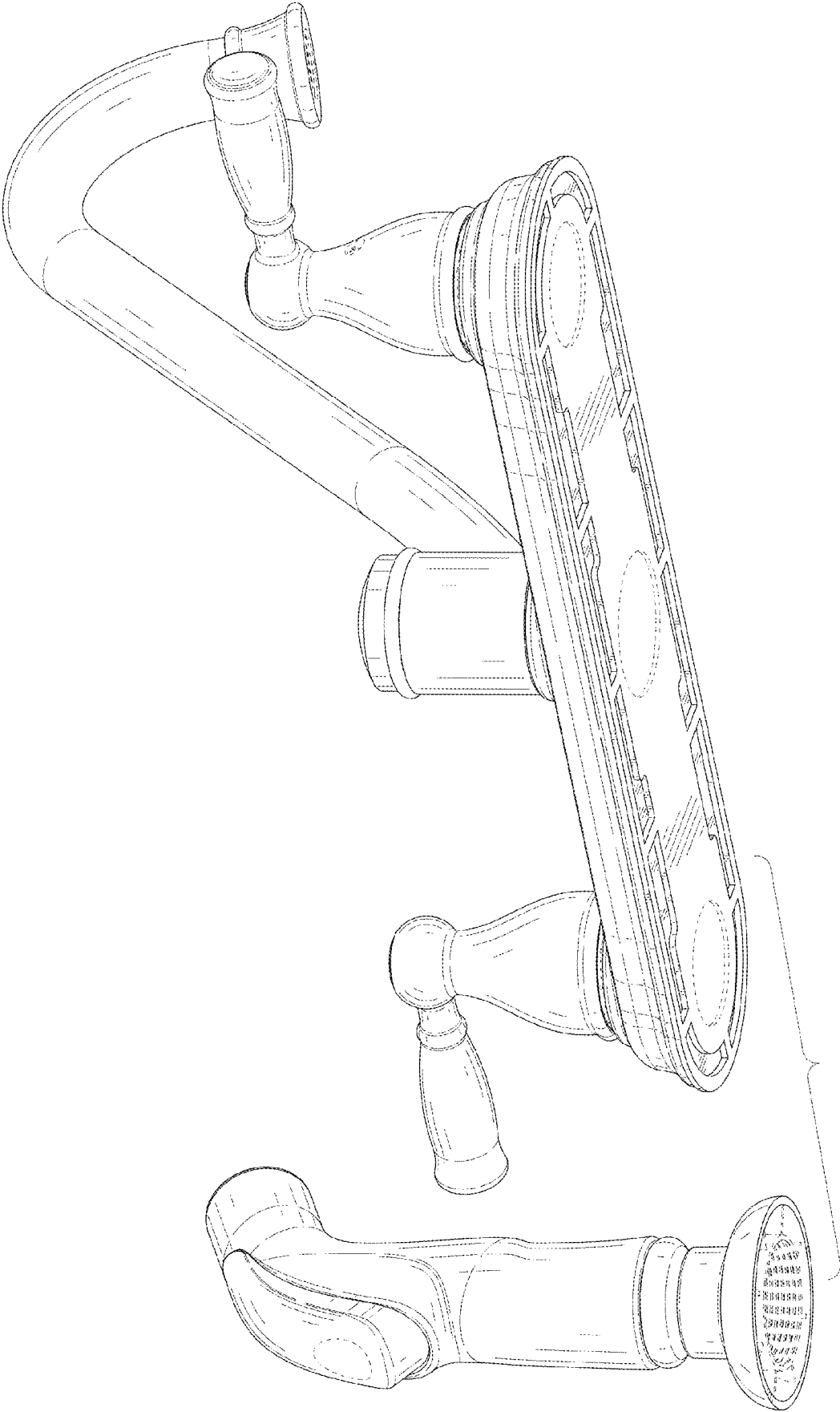


FIG. 10

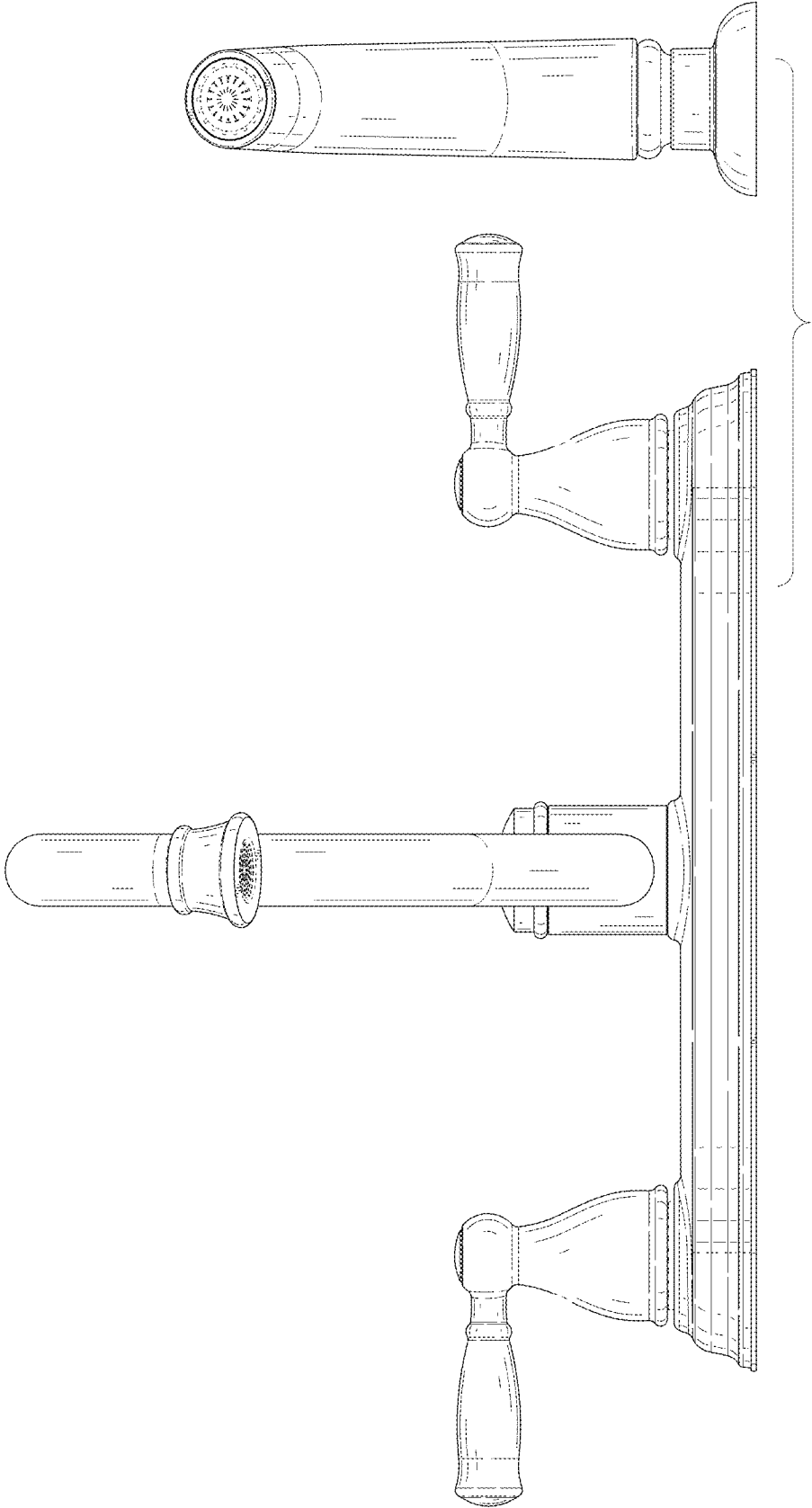


FIG. 11

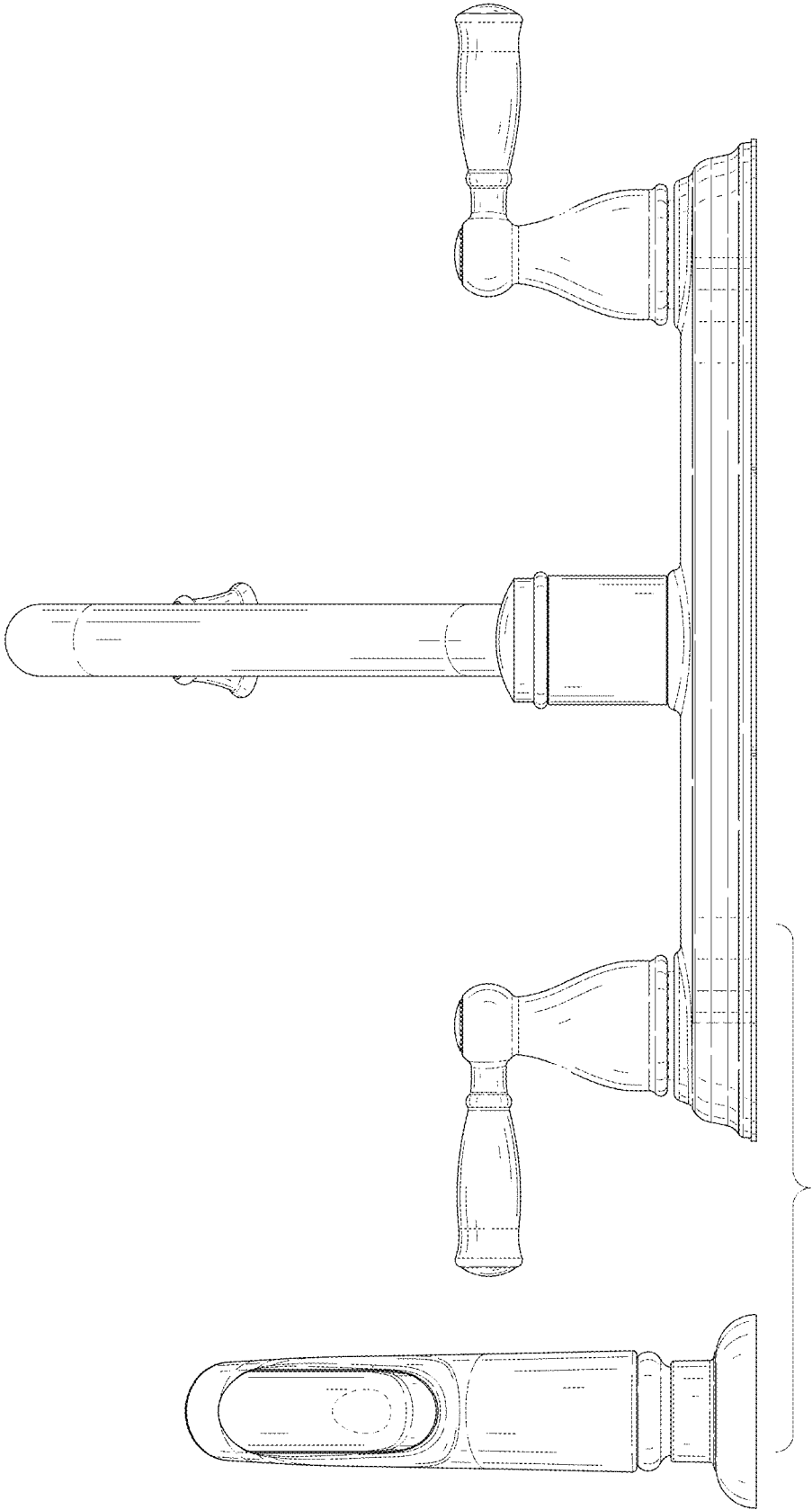


FIG. 12

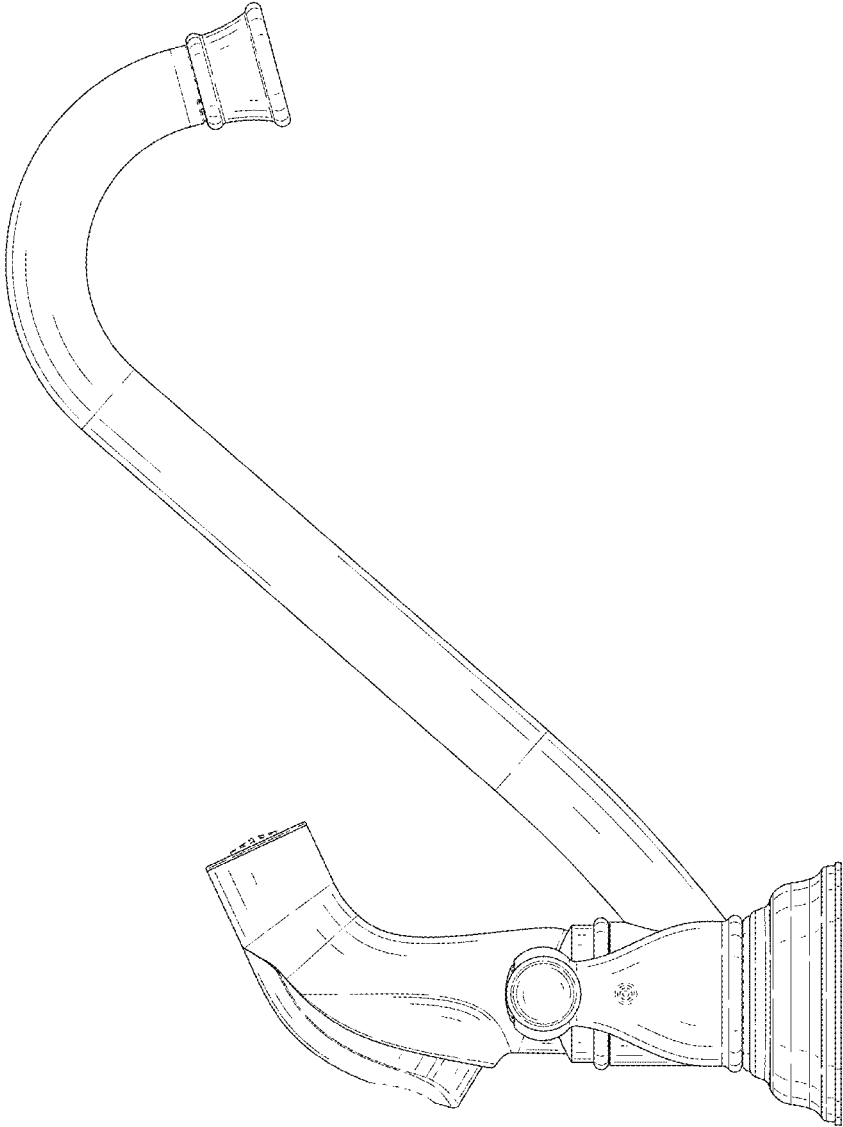


FIG. 13

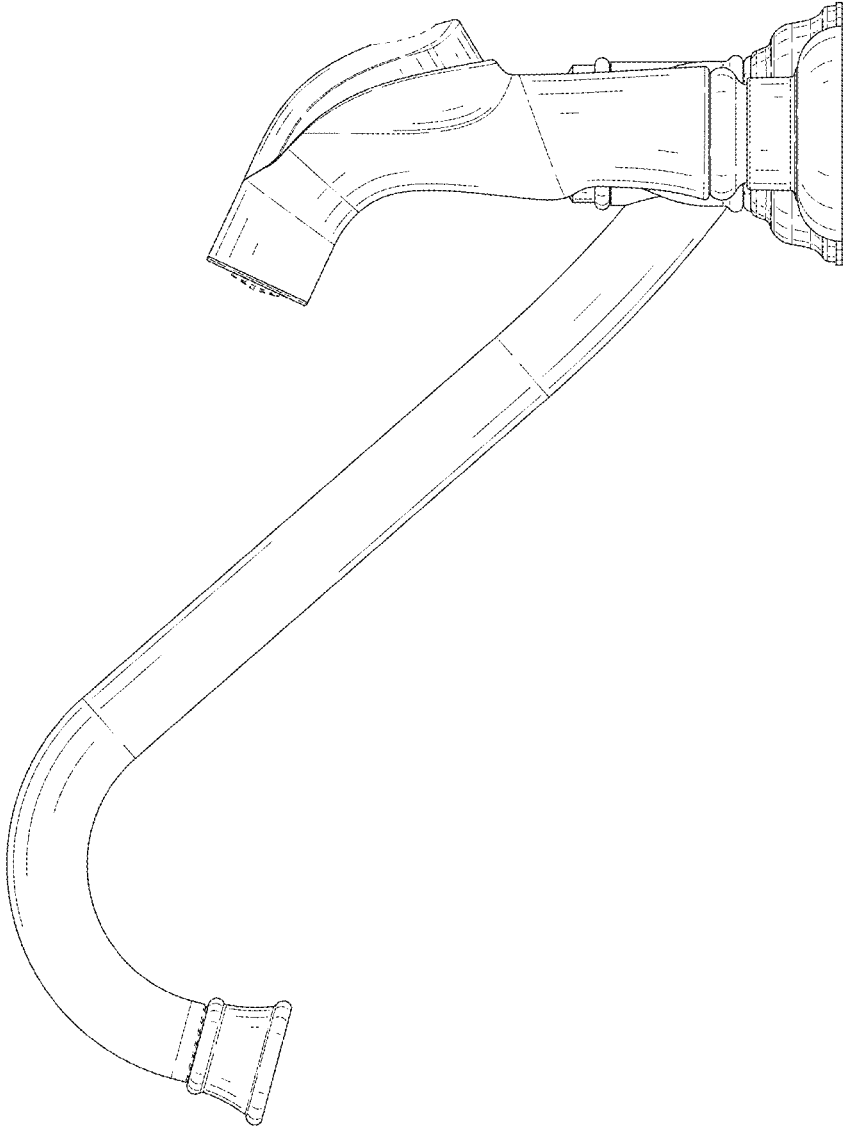


FIG. 14

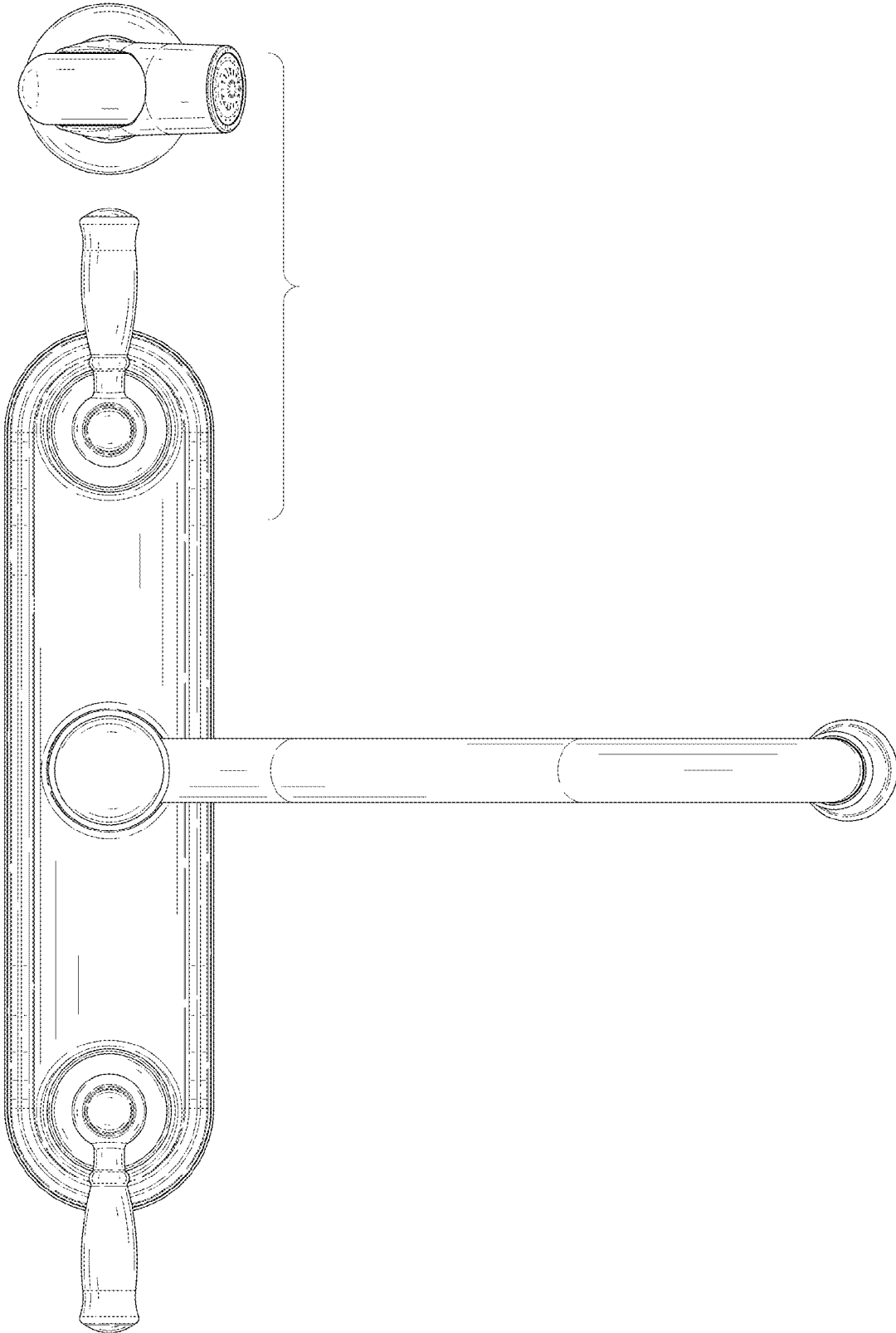


FIG. 15

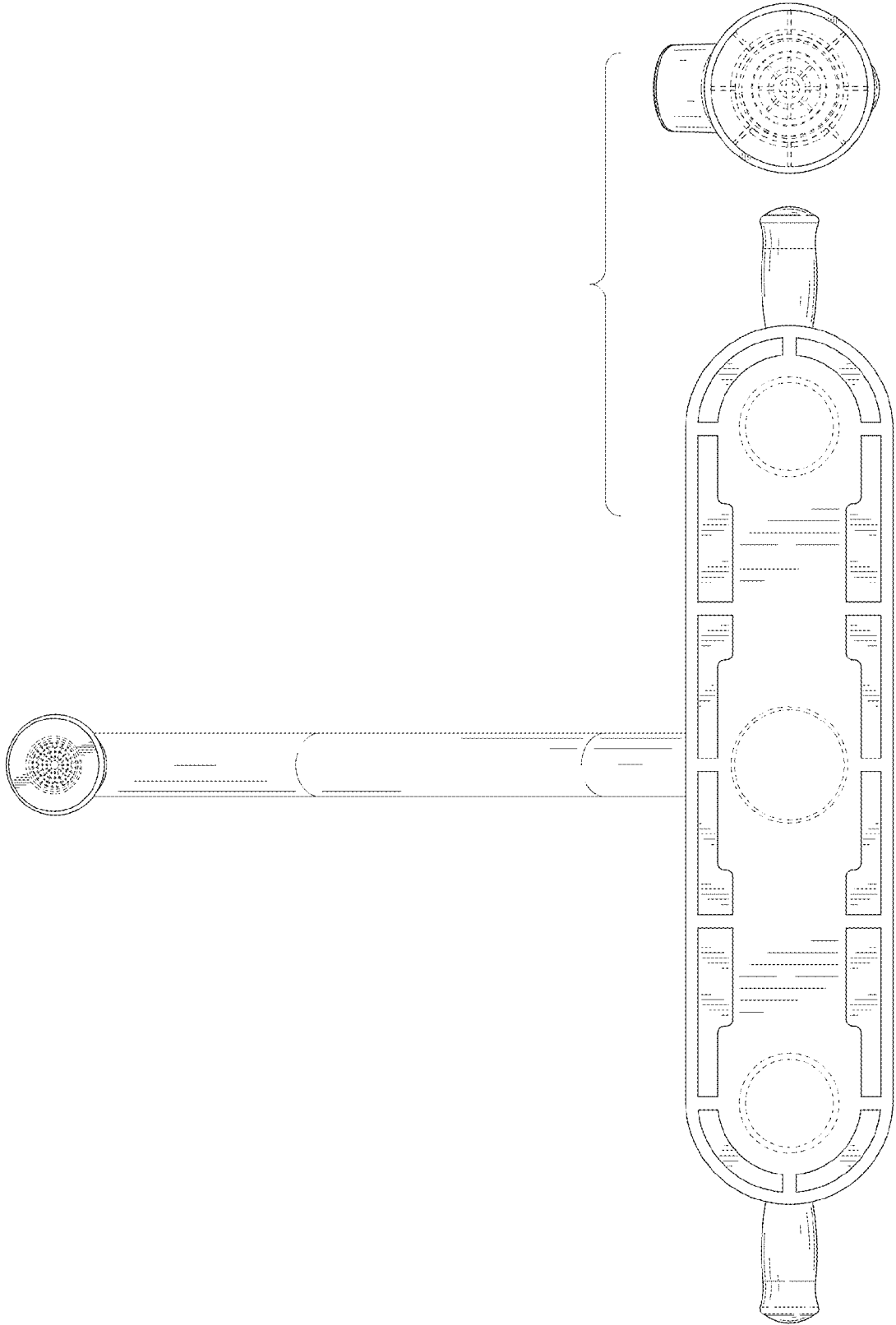


FIG. 16