



US00D347345S

United States Patent [19]

[11] Patent Number: **Des. 347,345**

Kaiser et al.

[45] Date of Patent: **** May 31, 1994**

- [54] **ROLL FILM DISPENSER**
- [75] Inventors: **Ian R. Kaiser**, Encinitas; **Michael C. Kaiser**, Malibu; **Sean A. Neiberger**, La Costa, all of Calif.
- [73] Assignee: **Allen Reed Company, Incorporated**, Los Angeles, Calif.
- [**] Term: **14 Years**
- [21] Appl. No.: **1,844**
- [22] Filed: **Nov. 23, 1992**
- [52] U.S. Cl. **D6/518**
- [58] Field of Search **D6/515, 518, 522; 242/552, 55.3, 55.42, 55.53, 55.54; 312/34.1, 34.8**

4,754,674	7/1988	Perlman	83/422
4,762,042	8/1988	Denter et al.	83/374
4,787,284	11/1988	Chen	83/614
4,951,858	8/1990	Krall	225/19
4,957,023	9/1990	Chen	83/372
4,960,022	10/1990	Chuang	83/175
4,967,628	11/1990	Judd et al.	83/455
5,025,692	6/1991	Reynolds	83/468
5,036,740	8/1991	Tsai	83/455
5,044,241	9/1991	Labrecque	83/489

OTHER PUBLICATIONS

Photographs of Reynolds Klik-Cut™ Film Dispenser (Undated).
 Photographs of Tablecraft Ken-Kut™ Safety Dispenser (Undated).

Primary Examiner—Brian N. Vinson
Attorney, Agent, or Firm—D'Alessandro, Frazzini & Ritchie

[56] **References Cited**
U.S. PATENT DOCUMENTS

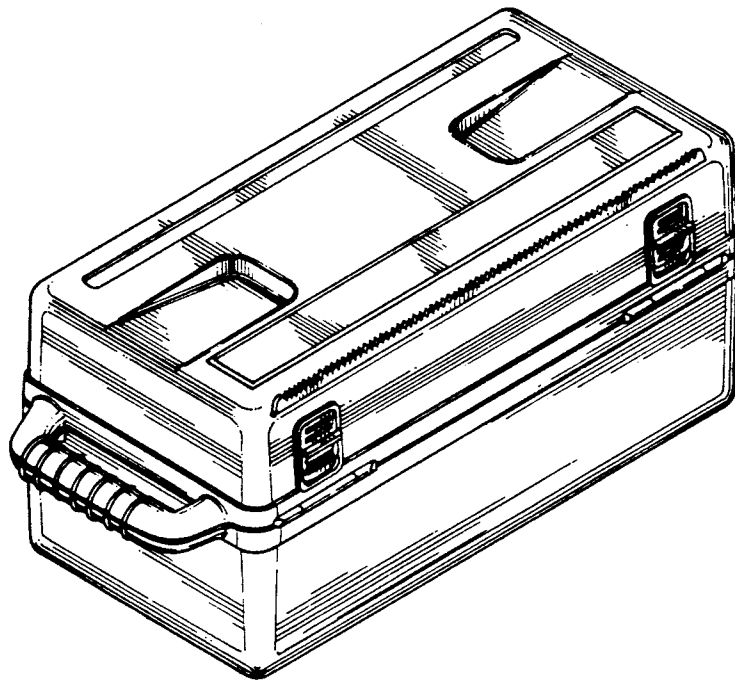
D. 215,671	10/1969	Knight, Jr. et al.	D6/518
D. 272,021	1/1984	Ruff	D6/518
D. 276,579	12/1984	Gordon et al.	D6/518
2,550,209	4/1951	Tuttle	242/55.3
3,034,690	5/1962	Klun	225/19
4,325,1176	4/1982	Urion	29/450
3,567,087	3/1971	Schramm	225/43
3,688,625	9/1972	Thomas et al.	83/614
3,851,809	12/1974	McKibbin	225/20
4,119,251	10/1978	Golner et al.	225/20
4,156,382	5/1979	Baker	93/33
4,170,914	10/1979	Carrier	83/580
4,196,647	4/1980	Fish	83/175
4,197,774	4/1980	Singh et al.	83/374
4,210,043	7/1980	Urion et al.	83/175
4,245,536	1/1981	Urion	83/821
4,417,495	11/1983	Gordon et al.	83/175
4,651,911	3/1987	Kirkup et al.	225/20

[57] CLAIM

Th ornamental design for a roll film dispenser, as shown and described.

DESCRIPTION

FIG. 1 is a top, front, and left side perspective view of a roll film dispenser showing our new design; FIG. 2 is an enlarged front elevational view thereof; FIG. 3 is an enlarged rear elevational view thereof; FIG. 4 is an enlarged left side elevational view thereof, the right side being a mirror image of that shown; FIG. 5 is an enlarged to plan view thereof; FIG. 6 is an enlarged bottom plan view thereof; FIG. 7 is a horizontal cross-sectional view thereof, taken along line 7-7 of FIG. 5; and, FIG. 8 is a front elevational view thereof, with the cutting blade shown in retracted position.



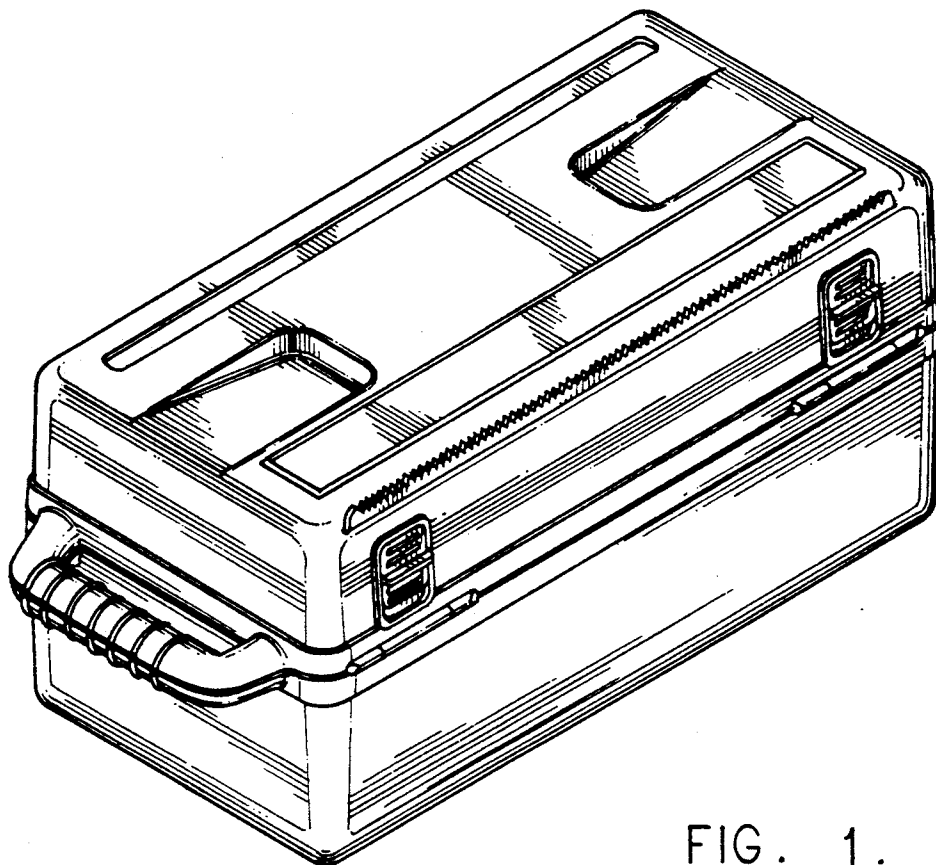


FIG. 1.

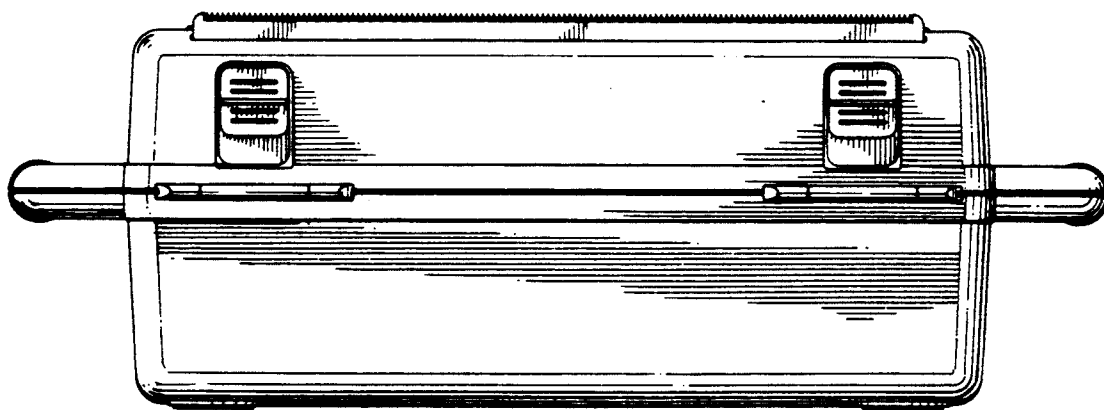


FIG. 8.

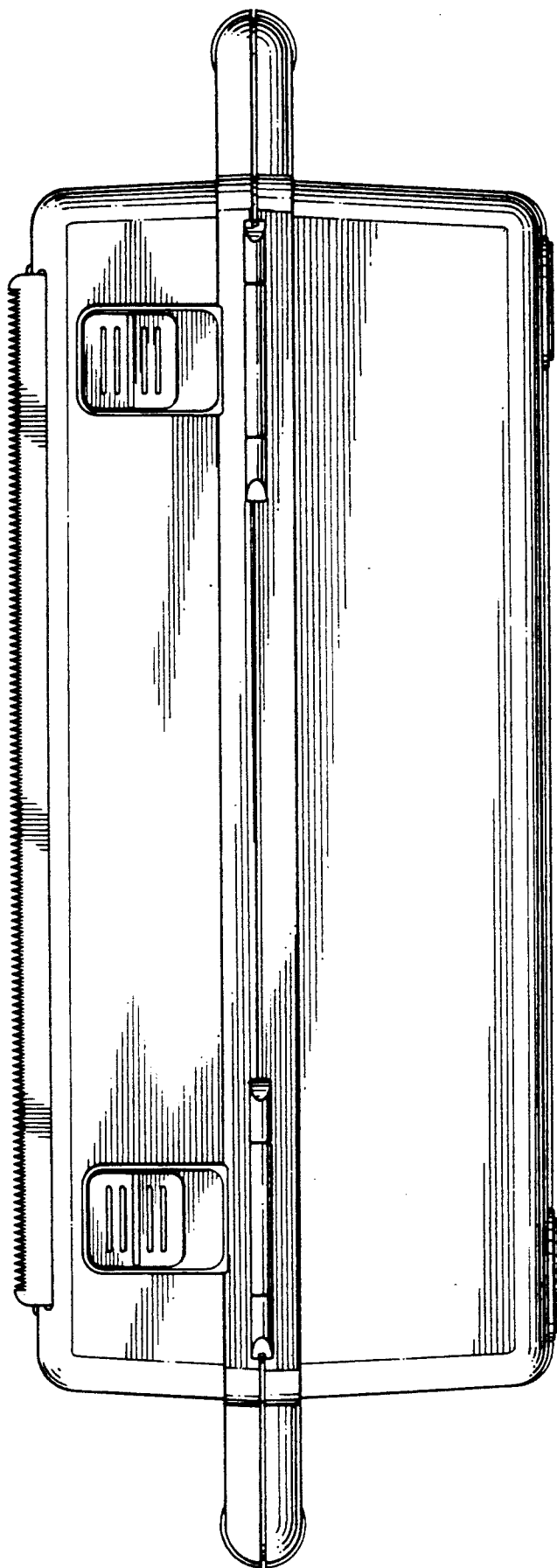


FIG. 2.

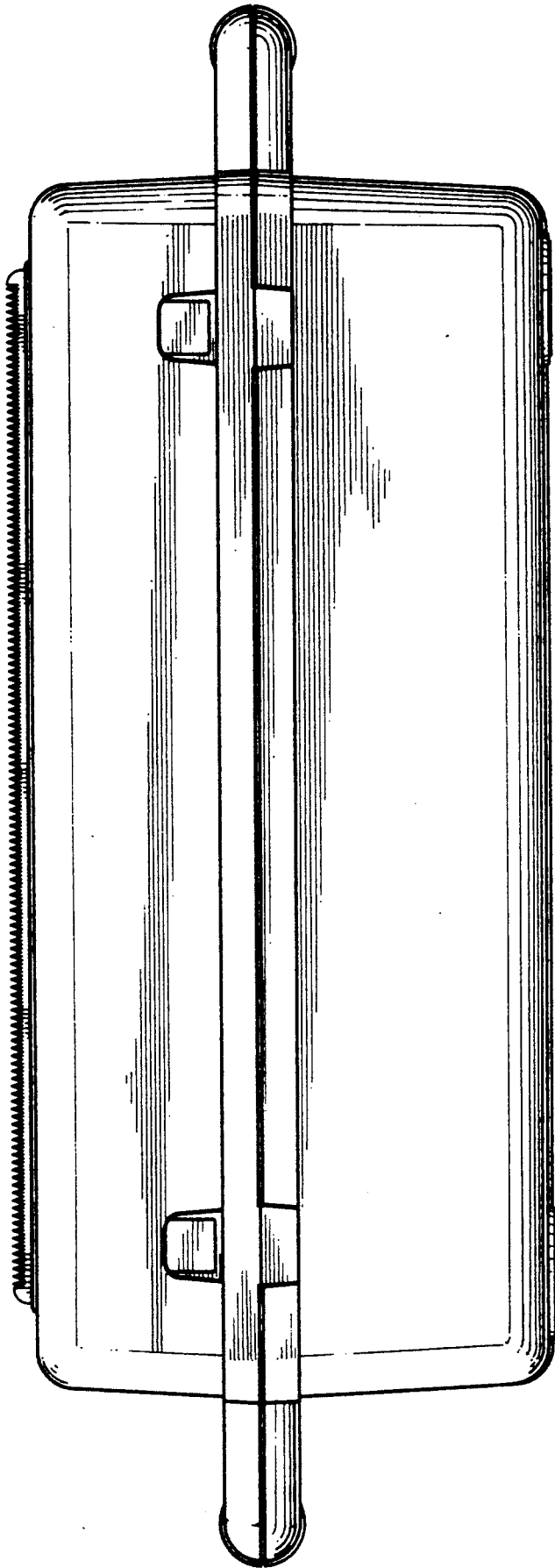


FIG. 3.

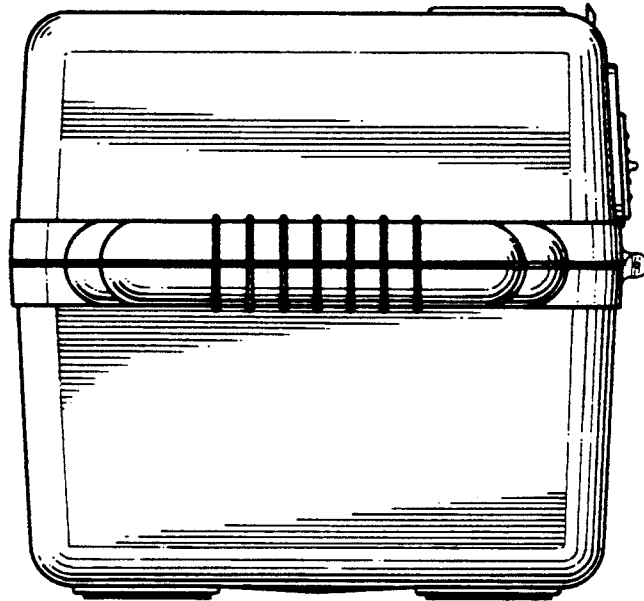


FIG. 4.

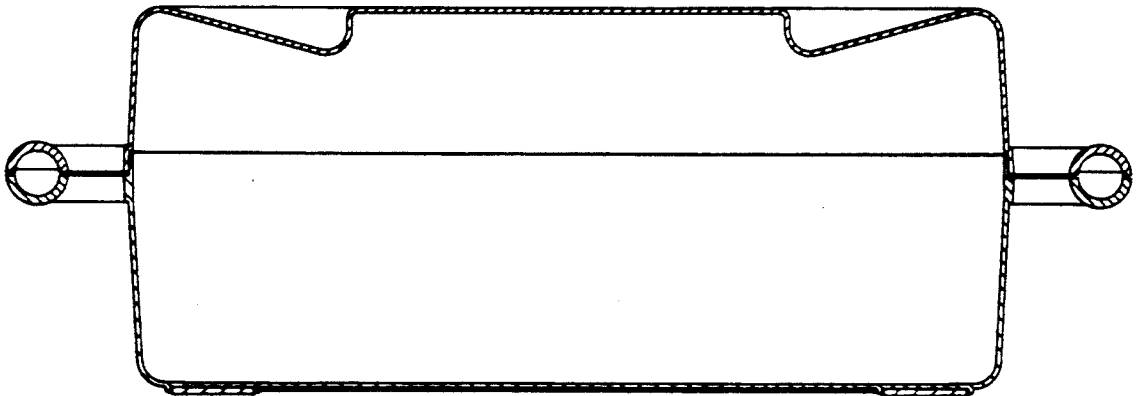


FIG. 7.

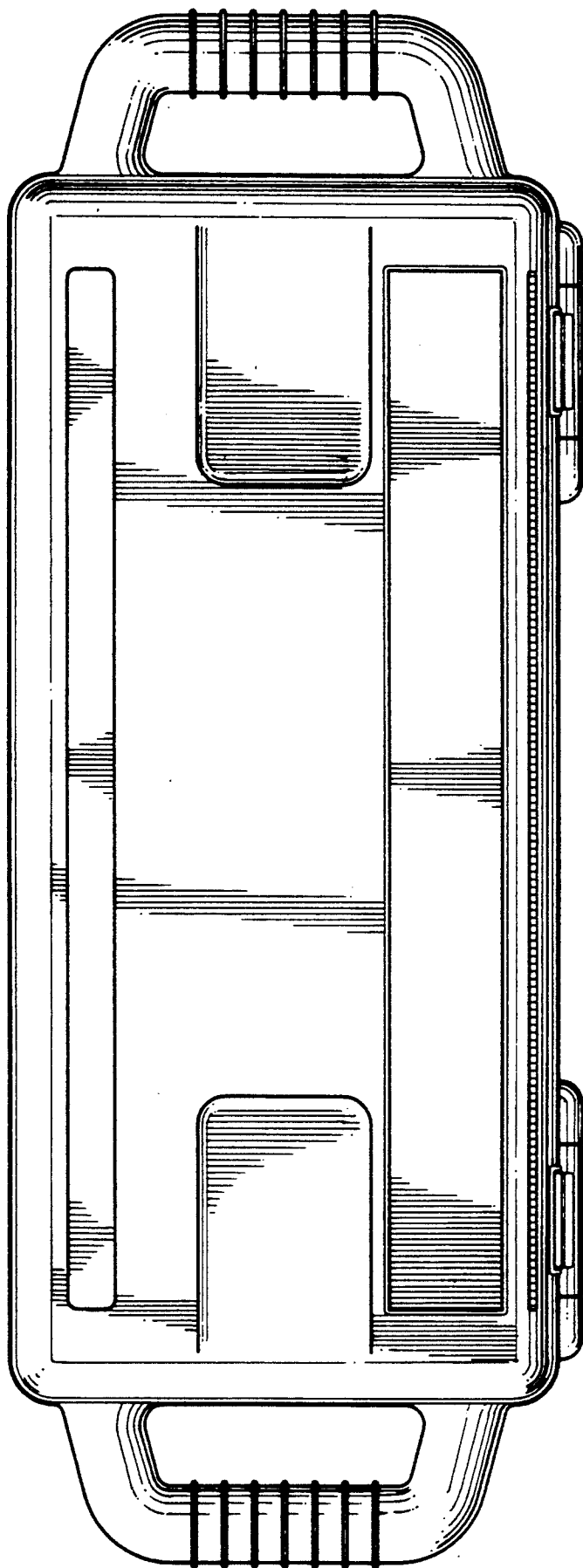


FIG. 5.

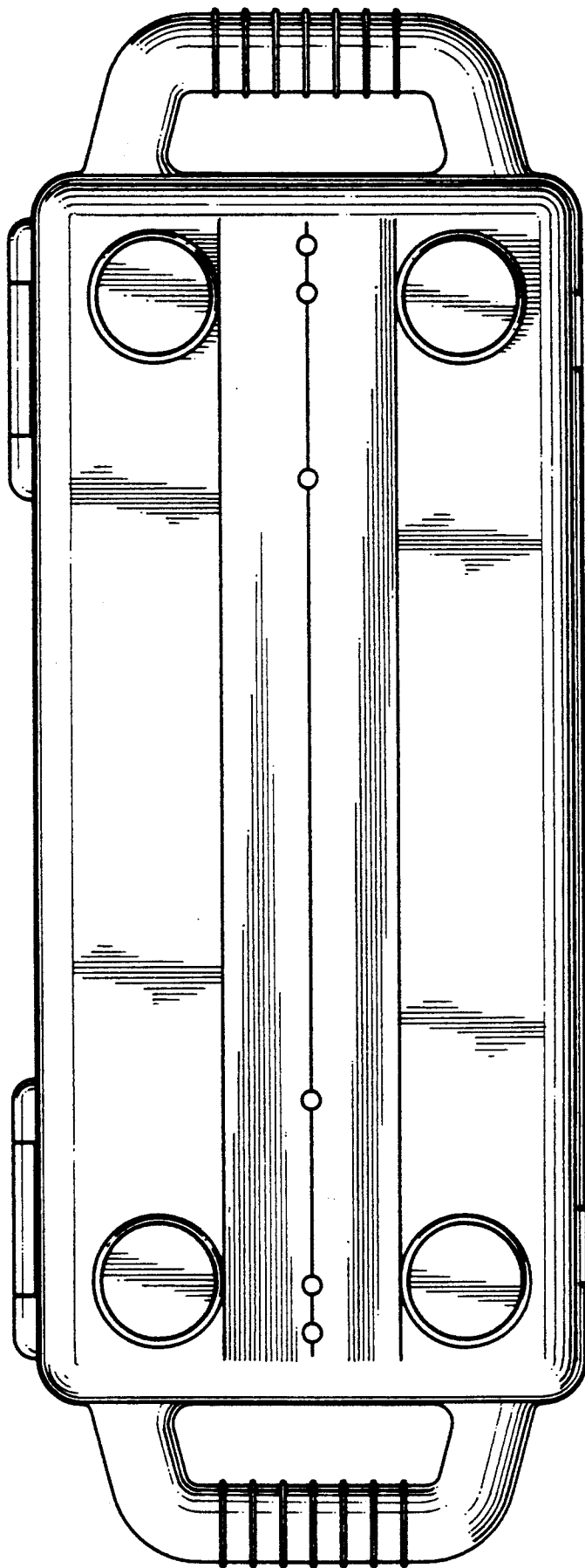


FIG. 6.