



US00D733541S

(12) **United States Design Patent**
Fan

(10) **Patent No.:** **US D733,541 S**

(45) **Date of Patent:** **** Jul. 7, 2015**

(54) **CASTER**

(71) Applicant: **Tso-Yu Fan**, Changhua (TW)

(72) Inventor: **Tso-Yu Fan**, Changhua (TW)

(73) Assignee: **DER SHENG CO. LTD.**, Changhua (TW)

(**) Term: **14 Years**

(21) Appl. No.: **29/482,451**

(22) Filed: **Feb. 18, 2014**

(51) **LOC (10) Cl.** **08-05**

(52) **U.S. Cl.**
USPC **D8/375**

(58) **Field of Classification Search**

USPC D8/375, 374, 382, 354; D24/183;
D12/19; 16/31 R, 18 R, 29, 35 D, 35 R,
16/37, 45; D3/318; D34/27

See application file for complete search history.

(56) **References Cited**

U.S. PATENT DOCUMENTS

D229,609 S * 12/1973 Tacke D8/375
D409,477 S * 5/1999 Royster D8/375

D409,900 S * 5/1999 Simons et al. D8/375
D457,810 S * 5/2002 Chi D8/375
D469,002 S * 1/2003 McCord D8/375
D570,200 S * 6/2008 Jen D8/375
D603,690 S * 11/2009 Rhein et al. D8/375
7,891,051 B2 * 2/2011 Chou 16/35 R
2002/0069479 A1 * 6/2002 Kuo 16/45
2010/0306962 A1 * 12/2010 Breyer et al. 16/46

* cited by examiner

Primary Examiner — Robert M Spear

Assistant Examiner — Eliza Bennett-Hattan

(74) *Attorney, Agent, or Firm* — Che-Yang Chen; Law Office of Michael Chen

(57) **CLAIM**

The ornamental design for a caster, as shown and described.

DESCRIPTION

FIG. 1 is a perspective view of a caster, showing my new design;

FIG. 2 is a front elevational view thereof;

FIG. 3 is a rear elevational view thereof;

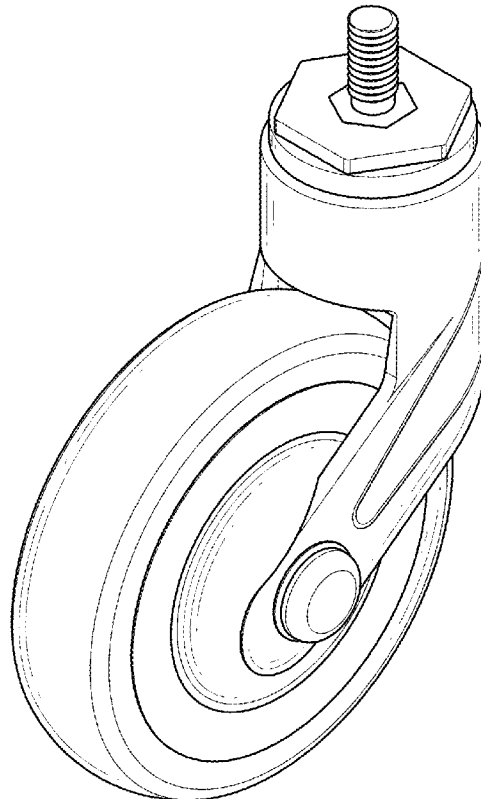
FIG. 4 is a left side elevational view thereof;

FIG. 5 is a right side elevational view thereof;

FIG. 6 is a top plan view thereof; and,

FIG. 7 is a bottom plan view thereof.

1 Claim, 6 Drawing Sheets



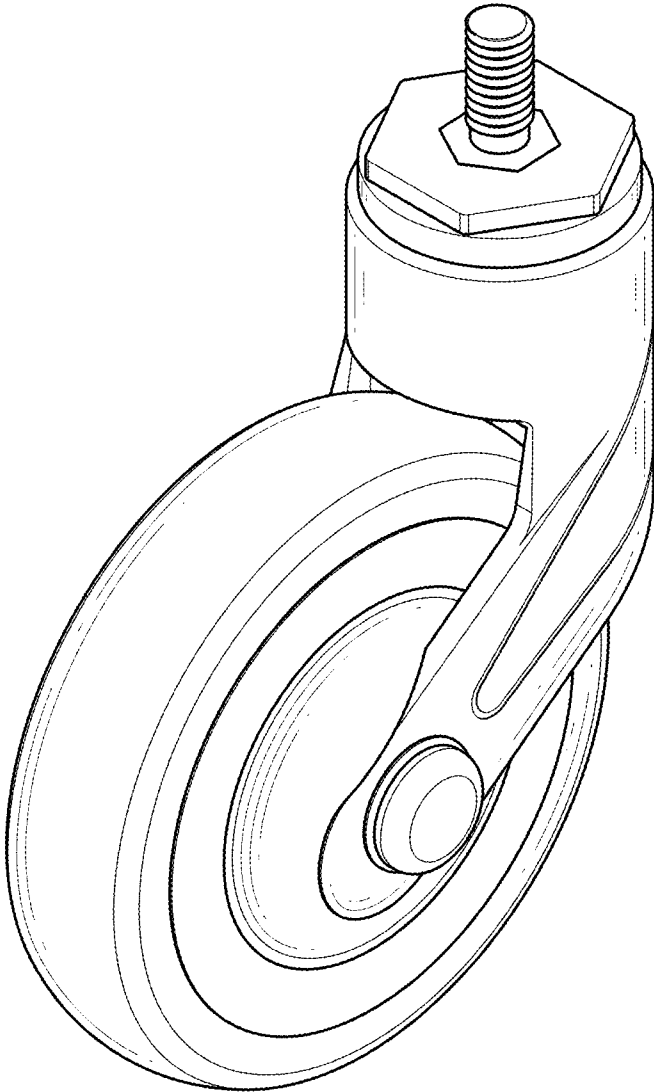


FIG. 1

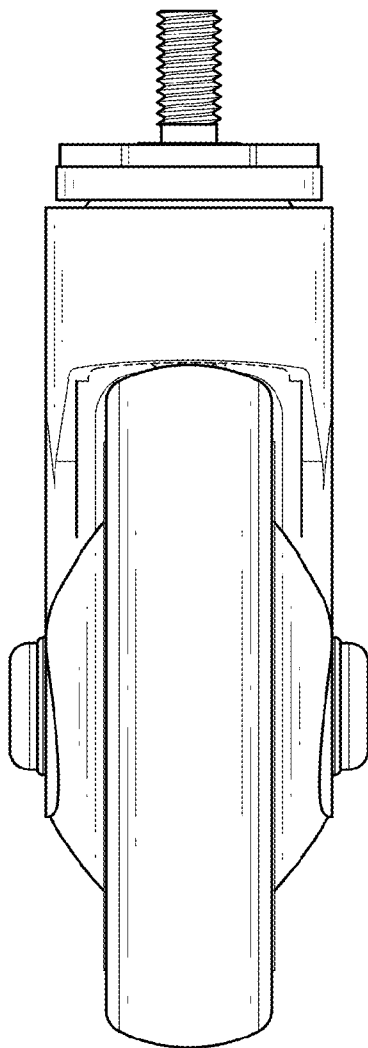


FIG. 2

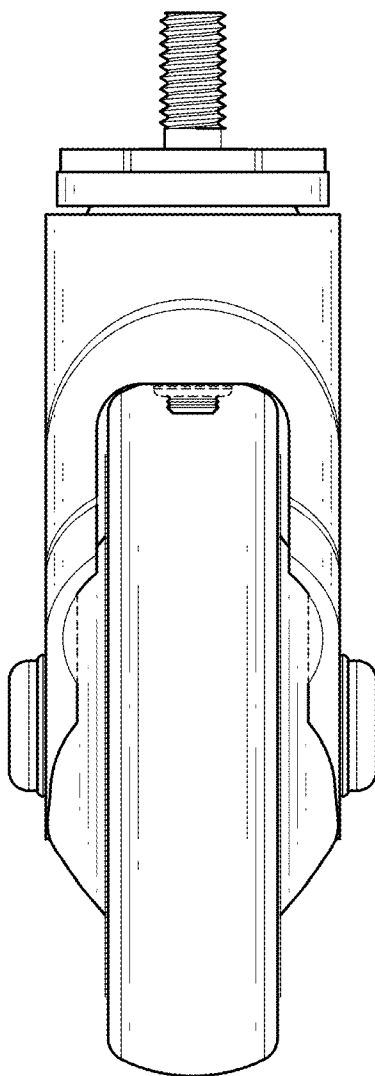


FIG. 3

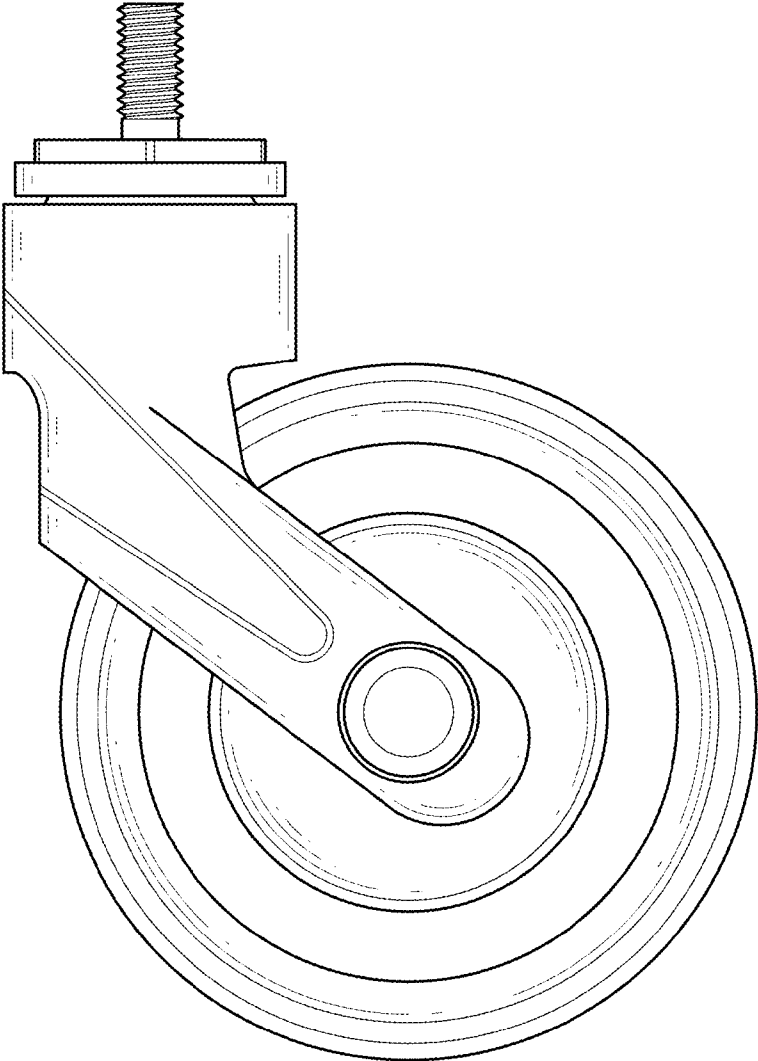


FIG. 4

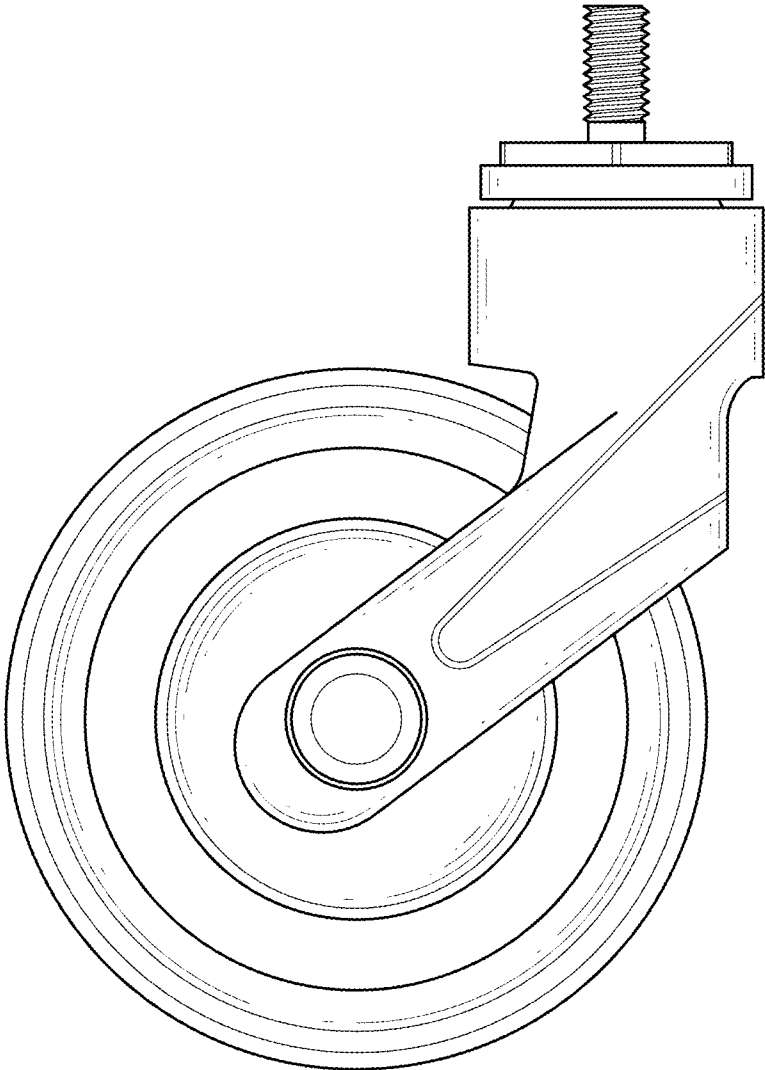


FIG. 5

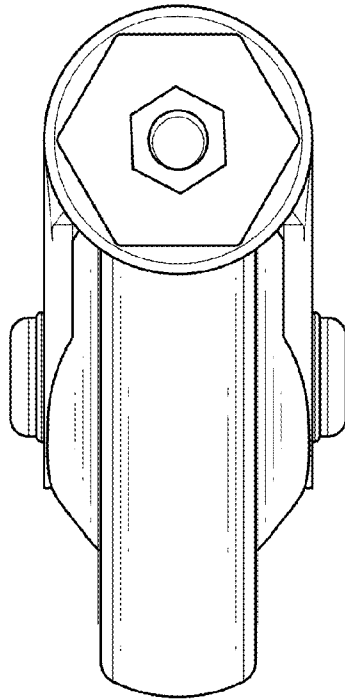


FIG. 6

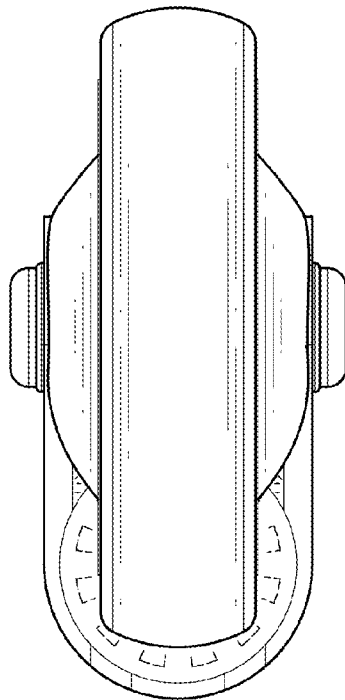


FIG. 7