



US00D908801S

(12) **United States Design Patent**
Lee

(10) **Patent No.:** **US D908,801 S**

(45) **Date of Patent:** **** Jan. 26, 2021**

(54) **COVER FOR REMOTE CONTROLLER**

(71) Applicant: **elago CO. LTD**, Goyang-si (KR)

(72) Inventor: **Chanwoo Lee**, Goyang-si (KR)

(73) Assignee: **elago CO. LTD**, Goyang-si (KR)

(**) Term: **15 Years**

(21) Appl. No.: **29/736,160**

(22) Filed: **May 28, 2020**

(51) **LOC (13) Cl.** **21-01**

(52) **U.S. Cl.**
USPC **D21/333; D14/250**

(58) **Field of Classification Search**
USPC D21/324, 328, 329, 330, 331, 333, 341,
D21/342, 349, 386; D14/218, 250, 299,
D14/322, 341, 345, 346, 353, 354, 374,
D14/375, 376, 421, 432, 440, 443, 463
CPC A45C 13/00; A45C 13/001; A45C 13/002;
A45C 1/06; A63F 13/10; A63F 13/98;
A63F 13/24; A63F 9/0291; H04B 1/3888;
H04M 1/0283; H04M 1/0202
See application file for complete search history.

(56) **References Cited**

U.S. PATENT DOCUMENTS

4,836,256 A	6/1989	Meliconi	
D360,903 S *	8/1995	Barr	D14/401
D362,277 S *	9/1995	Chan	D14/401
D459,346 S	6/2002	Powell	
D559,847 S	1/2008	Ashida et al.	
D563,409 S	3/2008	Liu	
D577,025 S	9/2008	Ashida et al.	
D614,705 S *	4/2010	Biheller	D21/328
D631,098 S	1/2011	Ashida et al.	
D638,067 S	5/2011	Suetake et al.	
D655,759 S *	3/2012	Still	D21/333
D700,182 S *	2/2014	Kidakarn	D14/401
D720,342 S	12/2014	Starrett et al.	

D768,785 S *	10/2016	Kim	D21/333
D783,722 S	4/2017	Peng	
D818,714 S	5/2018	Miller	
D842,294 S *	3/2019	Ahn	D14/250
D847,129 S *	4/2019	To	D14/250

(Continued)

FOREIGN PATENT DOCUMENTS

CN	304970754	1/2019
CN	305344809	9/2019

(Continued)

Primary Examiner — Sandra Snapp
Assistant Examiner — Mehri Bajoul
(74) *Attorney, Agent, or Firm* — Paratus Law Group, PLLC

(57) **CLAIM**

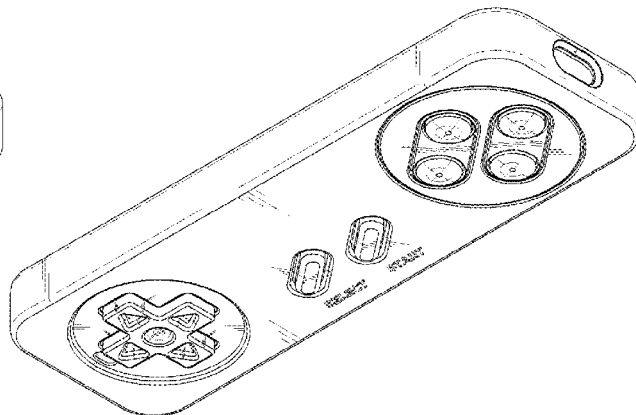
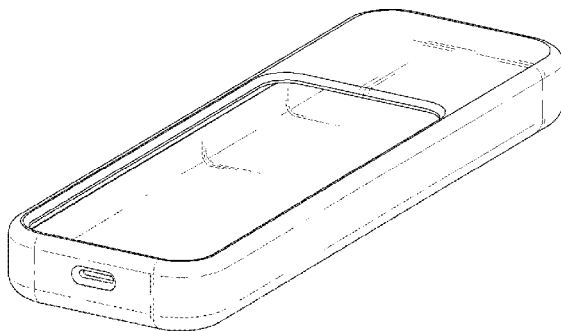
The ornamental design for a cover for remote controller, as shown and described.

DESCRIPTION

FIG. 1 is a front, top, and left sides perspective view of a cover for remote controller, showing my new design; FIG. 2 is a front view thereof; FIG. 3 is a back view thereof; FIG. 4 is a left-side view thereof; FIG. 5 is a right-side view thereof; FIG. 6 is a top view thereof; FIG. 7 is a bottom view thereof; FIG. 8 is a front, bottom, and right sides perspective view thereof; FIG. 9 is a front, top, and right sides perspective view thereof; and, FIG. 10 is a back, top, and left sides perspective view thereof.

The letters shown in broken lines in FIGS. 7 and 8 illustrate portions of the cover for remote controller that form no part of the claimed design.

1 Claim, 3 Drawing Sheets



(56)

References Cited

U.S. PATENT DOCUMENTS

D849,145 S	5/2019	Kuoch et al.	
D849,731 S *	5/2019	Koo	D14/250
D859,391 S *	9/2019	Yun	D14/250
D859,530 S *	9/2019	Li	D21/333
D869,442 S *	12/2019	Zhang	D14/218
D870,091 S *	12/2019	Chen	D14/250
D870,207 S	12/2019	Ali et al.	
D871,386 S *	12/2019	Kim	D14/250
D871,399 S *	12/2019	Kim	D14/341
D873,245 S *	1/2020	Russo	D14/218
D874,451 S *	2/2020	Yu	D14/250
D875,718 S *	2/2020	Lee	D14/218
D875,725 S *	2/2020	Hintermann	D14/250
D877,133 S *	3/2020	Lee	D14/250
D877,726 S *	3/2020	Fenton	D14/250
D877,728 S *	3/2020	Kim	D14/250
D877,731 S *	3/2020	Kim	D14/250

D880,467 S *	4/2020	Kim	D14/250
D881,866 S *	4/2020	Kim	D14/250
D883,269 S *	5/2020	Akana	D14/250
D883,917 S *	5/2020	Chen	D13/103
D887,411 S *	6/2020	Li	D14/401
D888,702 S *	6/2020	Yoon	D14/250
D889,549 S *	7/2020	Ironmonger	D21/333
D890,738 S *	7/2020	Lee	D14/250
D891,415 S *	7/2020	Kim	D14/250
D892,099 S *	8/2020	Kim	D14/250
D892,103 S *	8/2020	Lee	D14/250

FOREIGN PATENT DOCUMENTS

CN	305729967	4/2020
CN	305729968	4/2020
CN	305729969	4/2020
CN	305753589	5/2020
KR	300866112.0000	7/2016

* cited by examiner

FIG. 1

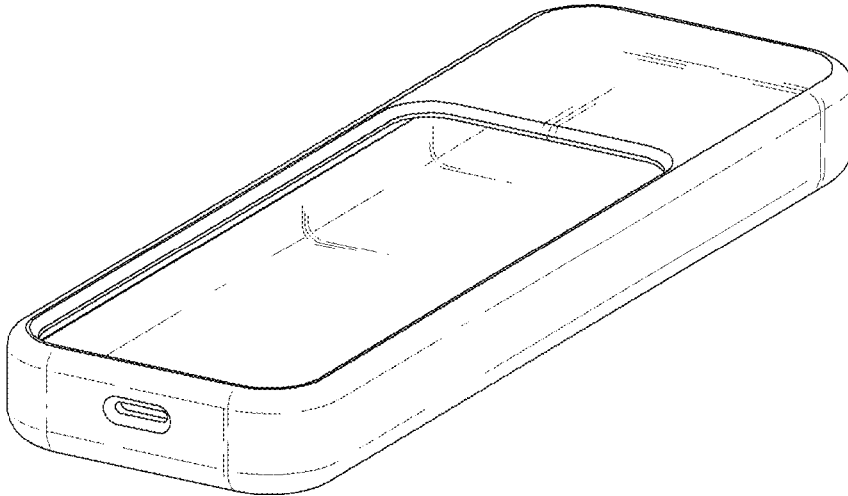


FIG. 2



FIG. 3

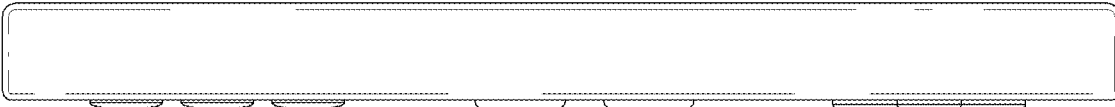


FIG. 4

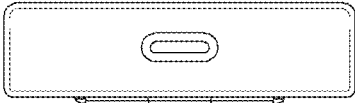


FIG. 5

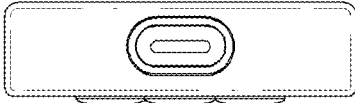


FIG. 6

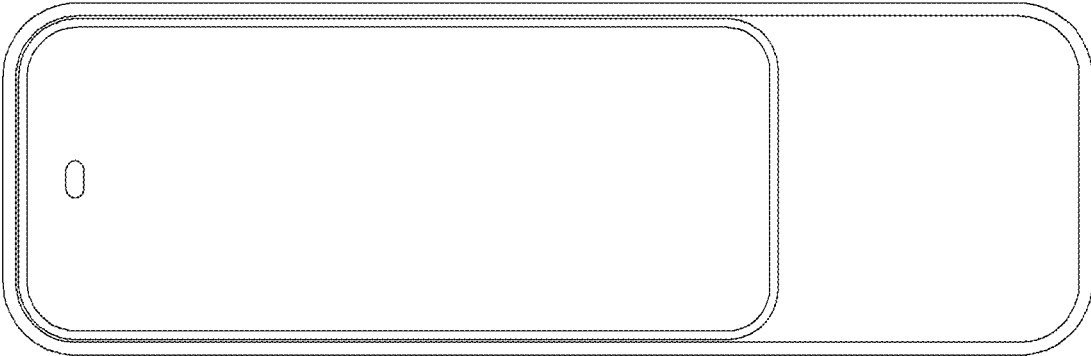


FIG. 7

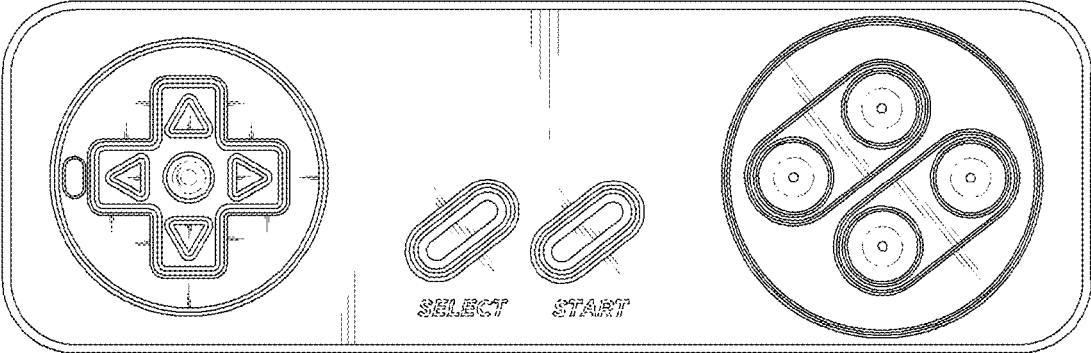


FIG. 8

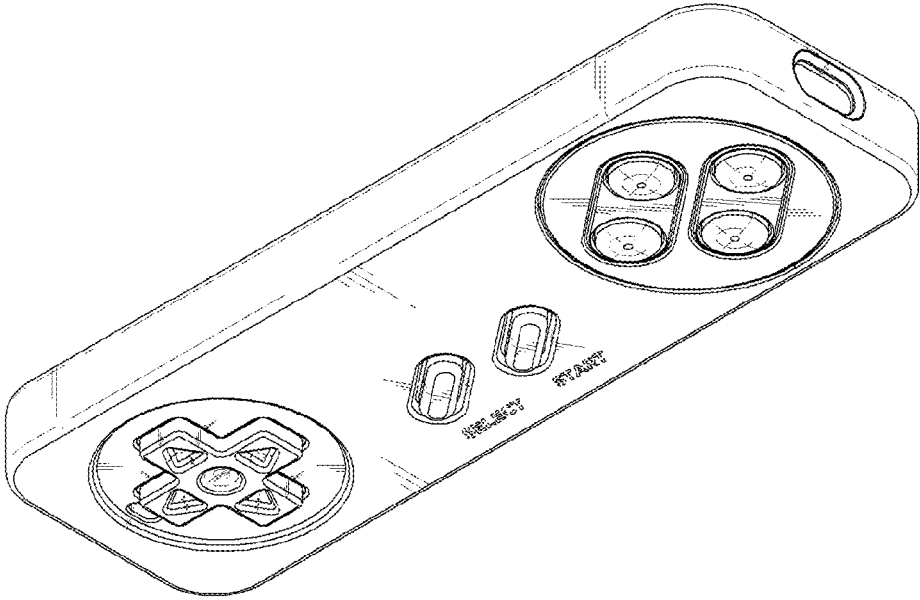


FIG. 9

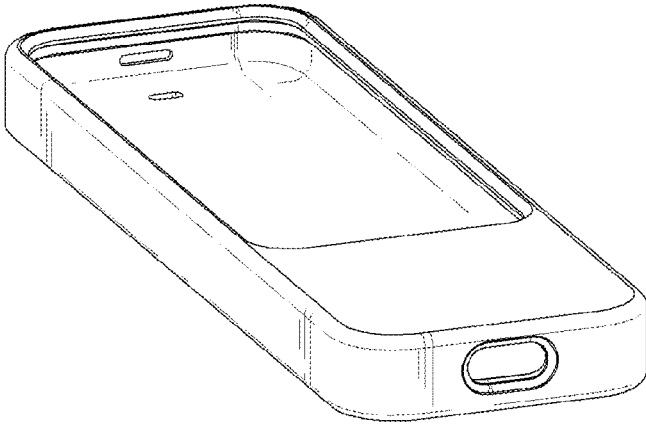


FIG. 10

