



US00D737116S

(12) **United States Design Patent**
Lussier et al.

(10) **Patent No.:** **US D737,116 S**

(45) **Date of Patent:** **** Aug. 25, 2015**

(54) **WHEEL-SECURING CLIP**

(75) Inventors: **Martin Lussier**, Léry (CA);
Didier-Bernard Séguin,
Salaberry-de-Valleyfield (CA); **Jean**
Prévost, Notre-Dame-de-l'Île-Perrot
(CA)

D387,970 S * 12/1997 Enslin D8/349
5,813,201 A 9/1998 His-Chang
6,238,006 B1 5/2001 Monojlovic
6,364,422 B1 4/2002 Sakaki
6,488,341 B2 12/2002 Maruyama
D484,783 S * 1/2004 Woodhall D8/395
6,698,845 B2 3/2004 Corte

(Continued)

(73) Assignee: **PLOMBCO INC.**, Montreal (CA)

FOREIGN PATENT DOCUMENTS

(**) Term: **14 Years**

EP 1165328 B1 12/2002
EP 1302695 4/2003

(21) Appl. No.: **29/415,181**

(Continued)

(22) Filed: **Mar. 8, 2012**

OTHER PUBLICATIONS

(51) **LOC (10) Cl.** **08-05**

(52) **U.S. Cl.**

USPC **D8/349**

(58) **Field of Classification Search**

USPC D8/349, 350, 353, 354, 355, 356, 359,
D8/366, 367, 373, 374, 394; 248/56, 58,
248/61, 62, 63, 74.1, 74.2, 74.4; 410/96,
410/101, 106, 109, 113, 116; D11/200,
D11/201, 206, 221; 24/381, 399, 405, 415,
24/429, 430, 431; D13/152, 154, 155

See application file for complete search history.

International Search Report, dated Jul. 3, 2012, of Corresponding PCT application No. PCT/CA2012/000210, filed Mar. 8, 2012, filed by the applicant.

Primary Examiner — Eric Goodman

Assistant Examiner — Bao-Yen Nguyen

(74) *Attorney, Agent, or Firm* — Mathieu Audet

(57) **CLAIM**

The ornamental design for a wheel-securing clip, as shown.

DESCRIPTION

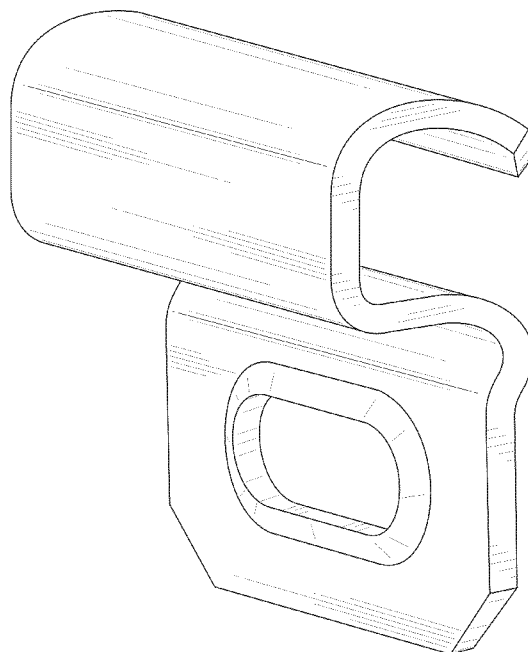
FIG. 1 is a perspective view of the wheel-securing clip;
FIG. 2 is a perspective view of the wheel-securing clip;
FIG. 3 is a rear elevational view of the wheel-securing clip;
FIG. 4 is a front elevational view of the wheel-securing clip;
FIG. 5 is a right elevational view of the wheel-securing clip;
FIG. 6 is a left elevational view of the wheel-securing clip;
FIG. 7 is a top plan view of the wheel-securing clip; and,
FIG. 8 is a bottom plan view of the wheel-securing clip.

1 Claim, 8 Drawing Sheets

(56) **References Cited**

U.S. PATENT DOCUMENTS

2,061,463 A * 11/1936 Hall 248/73
4,068,898 A 1/1978 Hanson
D255,869 S * 7/1980 Glynn et al. D8/356
D340,226 S * 10/1993 Sachs D13/154
D344,886 S * 3/1994 Sachs D8/373
D355,583 S * 2/1995 Beauchane D8/356
D357,400 S * 4/1995 Sachs D8/356



(56)

References Cited

U.S. PATENT DOCUMENTS

6,729,694 B2 5/2004 Maruyama
 6,877,996 B1* 4/2005 Franks, Jr. 439/92
 6,948,781 B2 9/2005 Sery
 D511,960 S * 11/2005 Ogino D8/354
 7,055,914 B1 6/2006 Jenkins
 7,093,907 B2 8/2006 Jenkins
 D535,550 S * 1/2007 Silberman D8/356
 D542,642 S * 5/2007 Heindl D8/382
 7,216,938 B2 5/2007 Phillips
 7,249,804 B2 7/2007 Zank
 D559,084 S * 1/2008 Foxx et al. D8/356
 7,354,968 B2 4/2008 Nishikawa
 D574,223 S * 8/2008 Wood D8/356
 D577,573 S * 9/2008 Wood D8/356
 7,491,356 B2 2/2009 Heikkila
 7,566,101 B2 7/2009 Jenkins
 D606,025 S * 12/2009 Cheng et al. D13/155
 D626,826 S * 11/2010 Austro D8/382
 D626,828 S * 11/2010 Austro D8/382
 7,841,669 B2 11/2010 Zank
 D628,539 S * 12/2010 Tezak et al. D13/152
 D630,494 S * 1/2011 Allina et al. D8/356
 D630,495 S * 1/2011 Allina et al. D8/356
 7,883,156 B2 2/2011 Pursley
 8,066,335 B2 11/2011 Jenkins
 2004/0256909 A1 12/2004 Sery
 2006/0119166 A1 6/2006 Jenkins
 2006/0138854 A1 6/2006 Lemoal
 2007/0120414 A1 5/2007 Jenkins
 2009/0230757 A1 9/2009 Chancharoen
 2009/0243370 A1 10/2009 Peniche
 2009/0278397 A1 11/2009 Jenkins
 2011/0266862 A1 11/2011 Halle
 2012/0267941 A1 10/2012 Everhard et al.

FOREIGN PATENT DOCUMENTS

EP 1857707 11/2007
 EP 1927784 6/2008
 JP 53045801 A 4/1978
 JP 58081803 A 5/1983
 JP 60061301 A 4/1985
 JP 60061302 A 4/1985
 JP 61033301 A 2/1986
 JP 63291702 A 11/1988
 JP 1148602 A 12/1989
 JP 03272347 12/1991
 JP 3272347 A 12/1991
 JP 4203639 A 7/1992
 JP Y0002596562 Y2 4/1994
 JP U1994063957 9/1994
 JP Y1994049951 12/1994
 JP U1995008646 2/1995
 JP 8061433 A 3/1996
 JP U0003046046 11/1997
 JP 10026187 A 1/1998
 JP U0003051017 5/1998
 JP 10176732 6/1998
 JP 2779484 B2 7/1998
 JP 2933098 B2 8/1998
 JP 10220532 A 8/1998
 JP U0003053876 8/1998
 JP 10331918 A 12/1998
 JP 11013834 A 1/1999
 JP 11210835 A 3/1999
 JP 11210836 A 3/1999
 JP U0003057629 3/1999
 JP U0003057630 3/1999

JP 11166595 A 6/1999
 JP 11201235 A 7/1999
 JP U0003062277 7/1999
 JP U0003063301 8/1999
 JP 11257435 A 9/1999
 JP 11279415 A 10/1999
 JP 11280845 A 10/1999
 JP 11294541 A 10/1999
 JP U0003065011 10/1999
 JP U0003066654 12/1999
 JP 2000035087 A 2/2000
 JP 2000046120 A 2/2000
 JP 3065526 B2 7/2000
 JP 20000314453 A 11/2000
 JP 2001012554 A 1/2001
 JP 2001041290 A 2/2001
 JP 2001080886 A 3/2001
 JP 2001099234 A 4/2001
 JP 2001132797 A 5/2001
 JP 2001221289 A 8/2001
 JP 2001221290 A 8/2001
 JP 2001227590 A 8/2001
 JP 2001227591 A 8/2001
 JP 2001234980 A 8/2001
 JP 2001280423 A 10/2001
 JP 2001343048 A 12/2001
 JP 2002054686 A 2/2002
 JP 2002061713 A 2/2002
 JP 2002061714 A 2/2002
 JP 2002098194 5/2002
 JP 2002174299 A 6/2002
 JP 2002257197 A 9/2002
 JP 3333914 B2 10/2002
 JP 2002286097 A 10/2002
 JP 2003113900 A 4/2003
 JP 3503007 B2 3/2004
 JP 2004084715 A 3/2004
 JP 2004092685 A 3/2004
 JP 3569663 B2 9/2004
 JP 3663066 B2 6/2005
 JP U0003112148 6/2005
 JP 3677912 B2 8/2005
 JP 2005291262 A 10/2005
 JP 3772942 B2 5/2006
 JP 2006131027 A 5/2006
 JP 3783134 B2 6/2006
 JP 2006153079 A 6/2006
 JP 2006175910 A 7/2006
 JP 3847974 B2 11/2006
 JP 3893478 B2 3/2007
 JP 3897905 B2 3/2007
 JP 3909404 B2 4/2007
 JP 3918012 B1 5/2007
 JP 3918013 B1 5/2007
 JP 3922666 B2 5/2007
 JP 2007162860 A 6/2007
 JP 2008049842 A 3/2008
 JP 2008057649 A 3/2008
 JP 4119334 B2 7/2008
 JP 4149900 B2 9/2008
 JP 4394009 B2 1/2010
 JP U0003160651 6/2010
 JP 2011052779 A 3/2011
 JP 4680729 B2 5/2011
 JP 2011094735 A 5/2011
 WO WO 00/61391 10/2000
 WO WO02/086347 10/2002
 WO WO2004/025139 3/2004
 WO WO2007/114690 10/2007
 WO WO2008/107667 9/2008

* cited by examiner

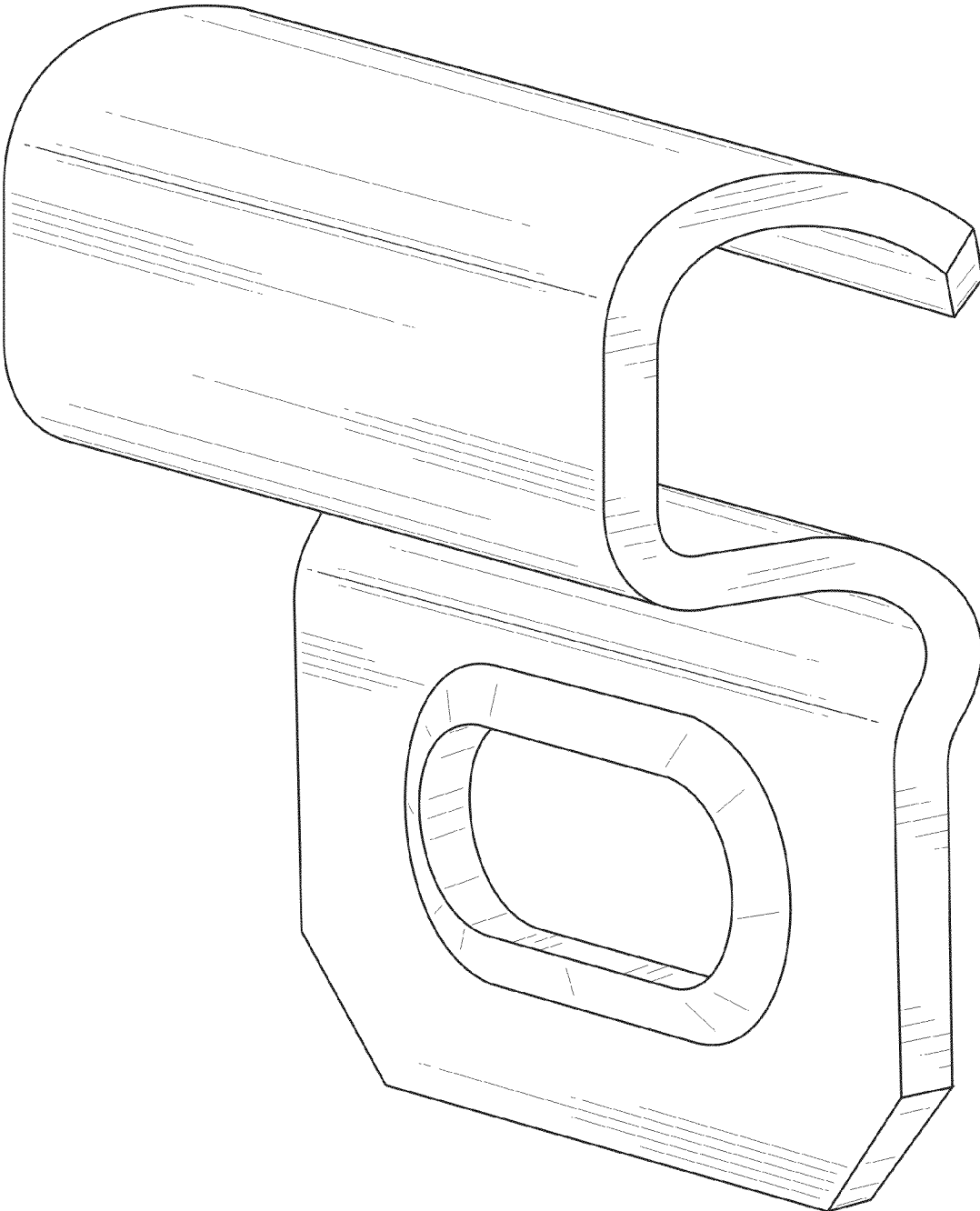


FIG. 1

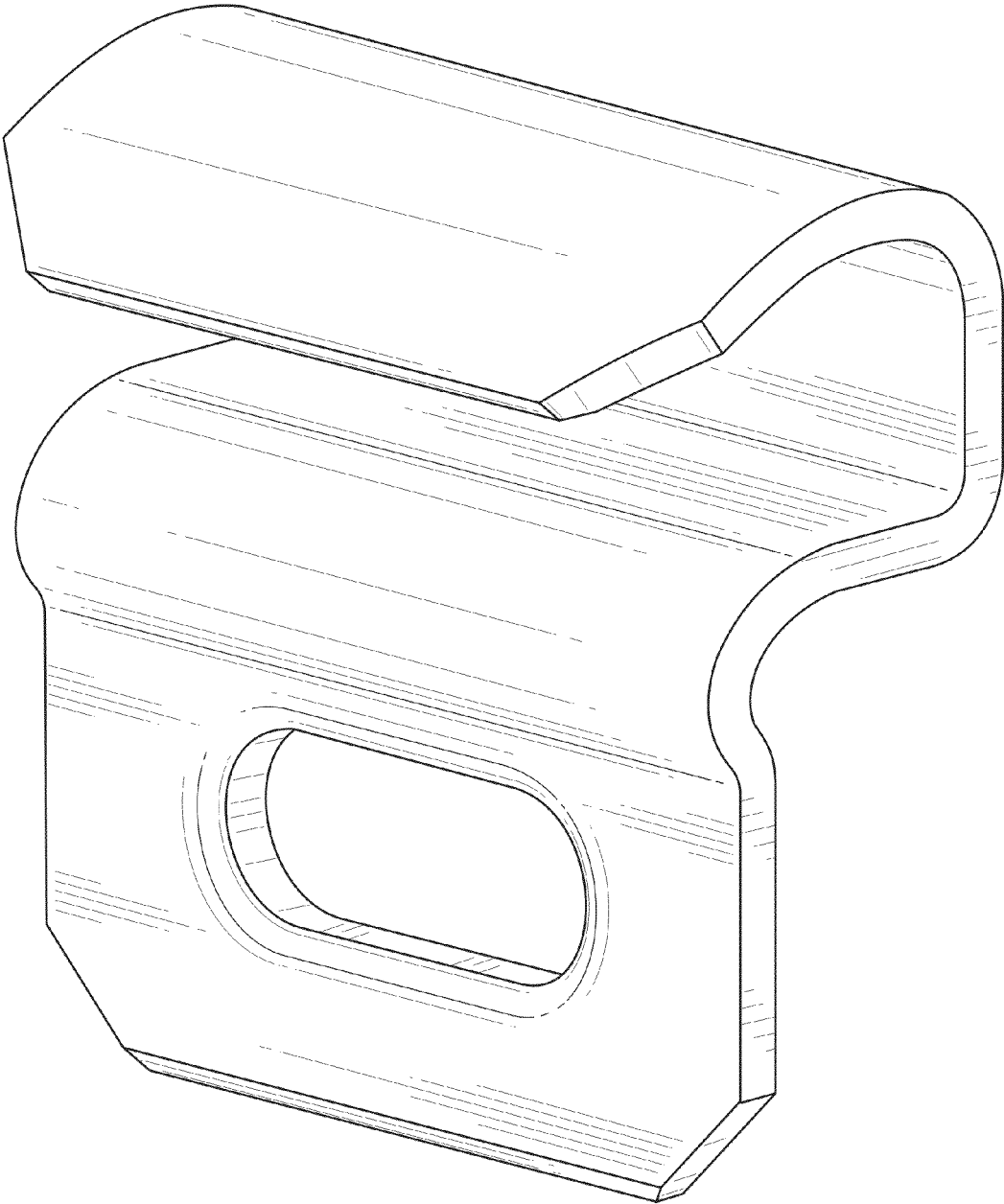


FIG. 2

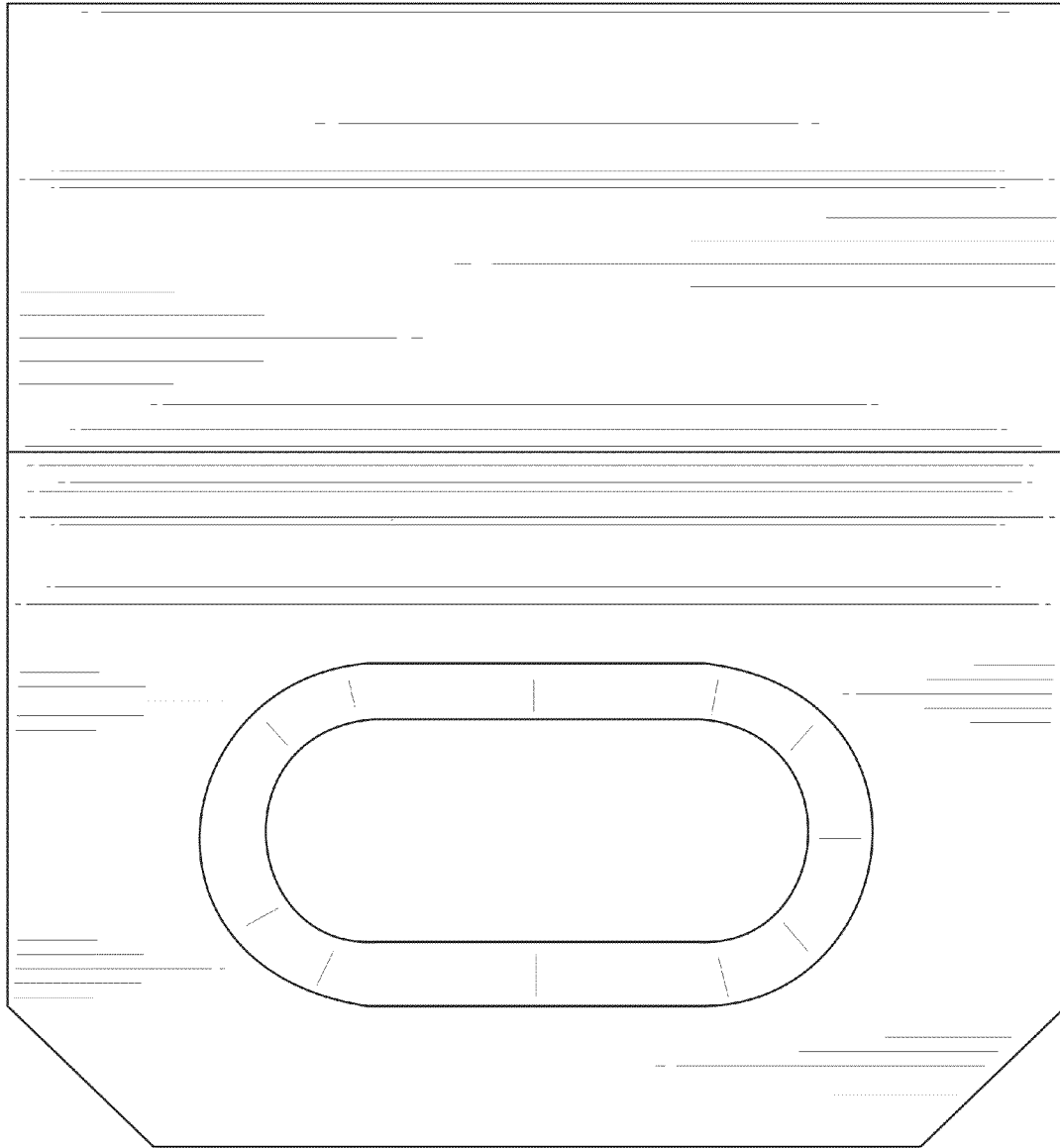


FIG. 3

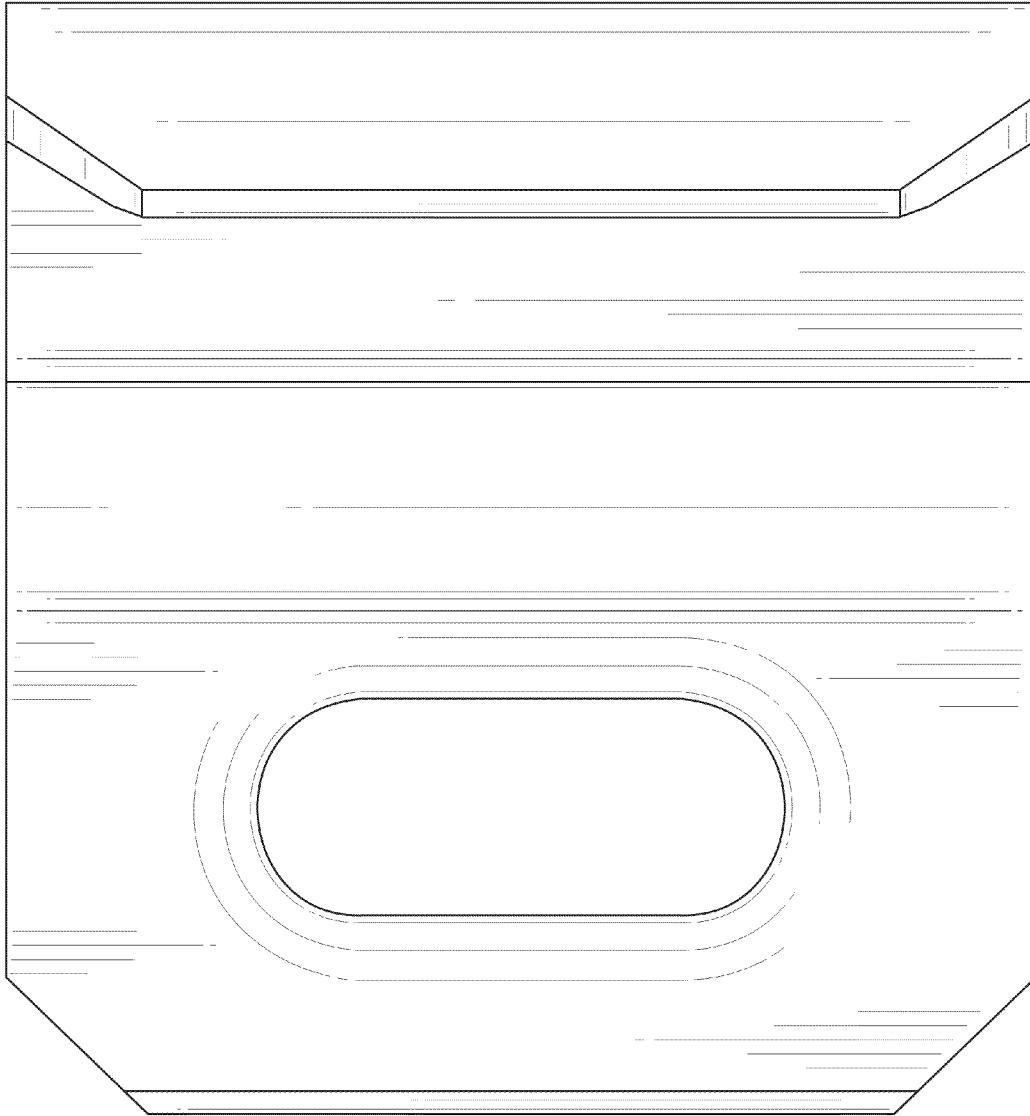


FIG. 4

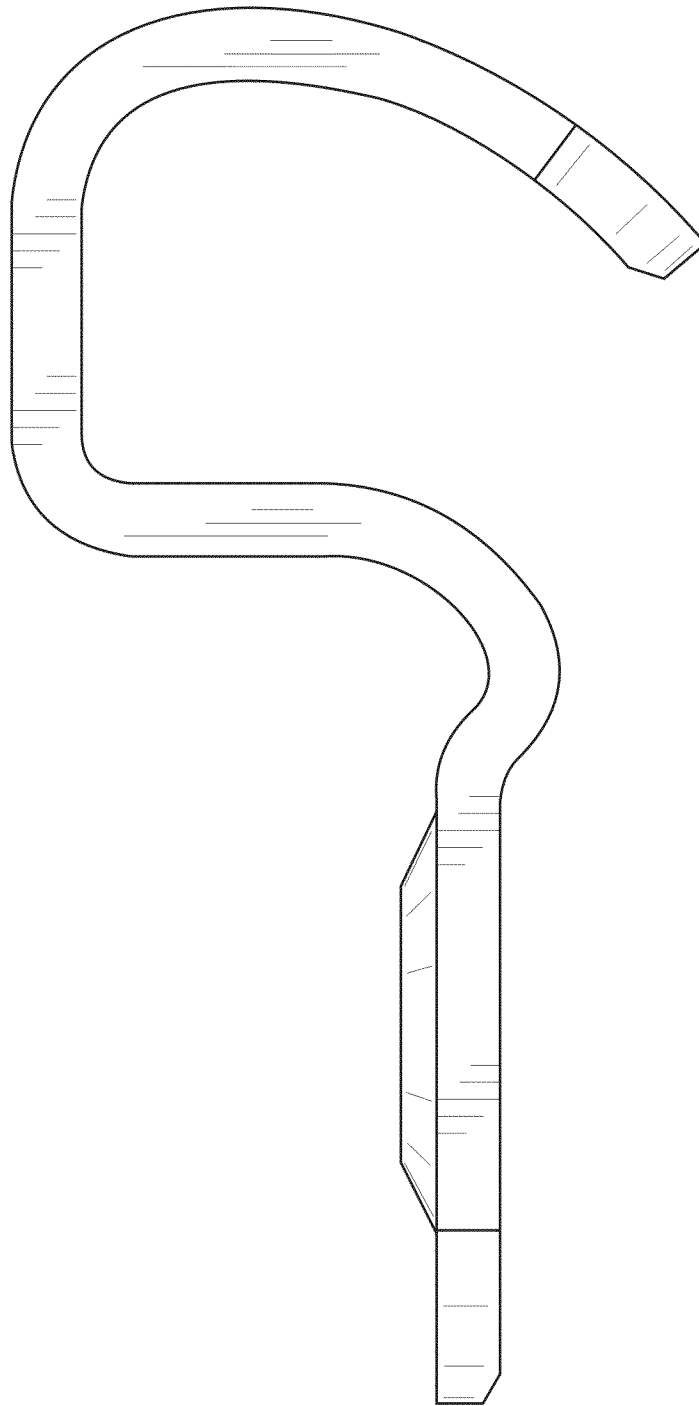


FIG. 5

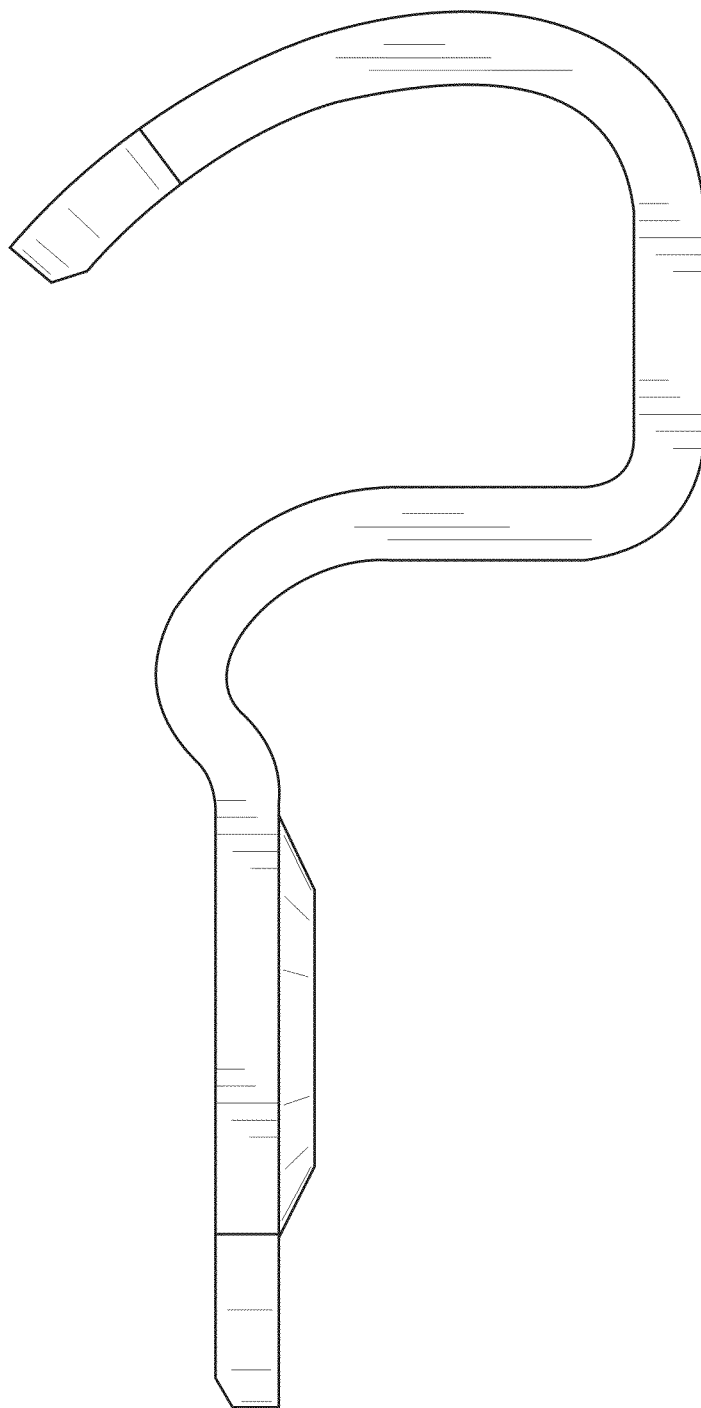


FIG. 6

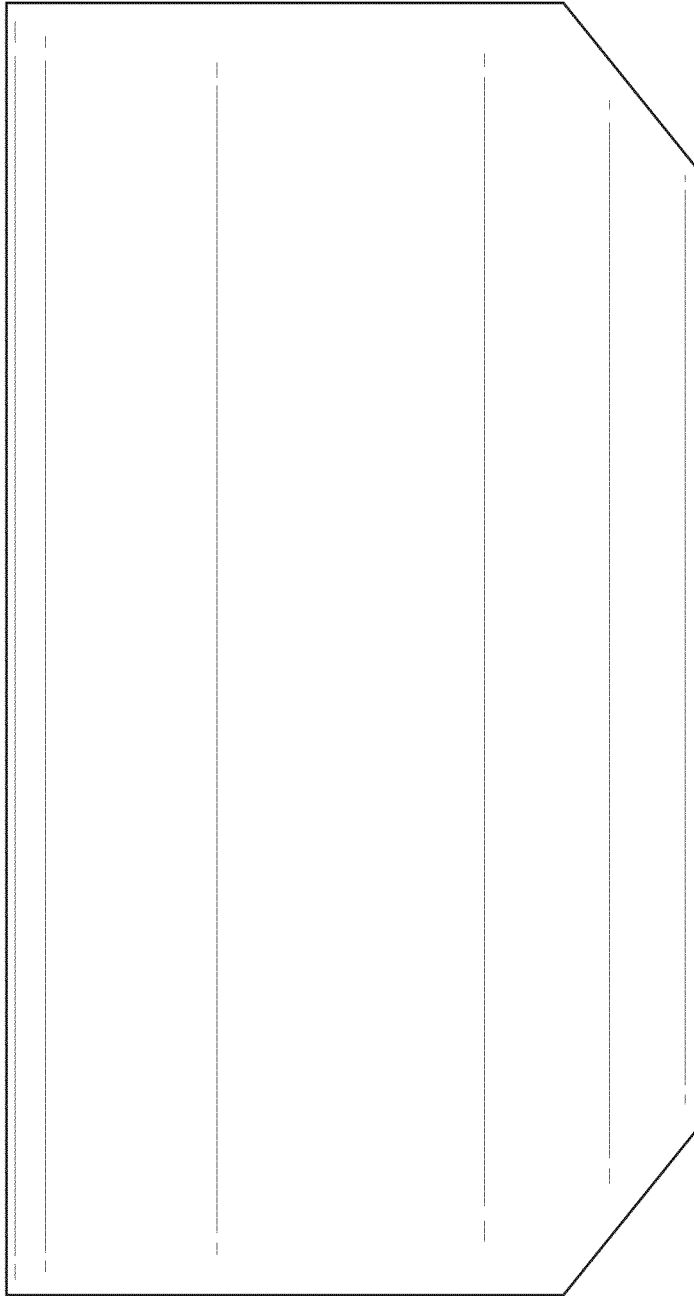


FIG. 7

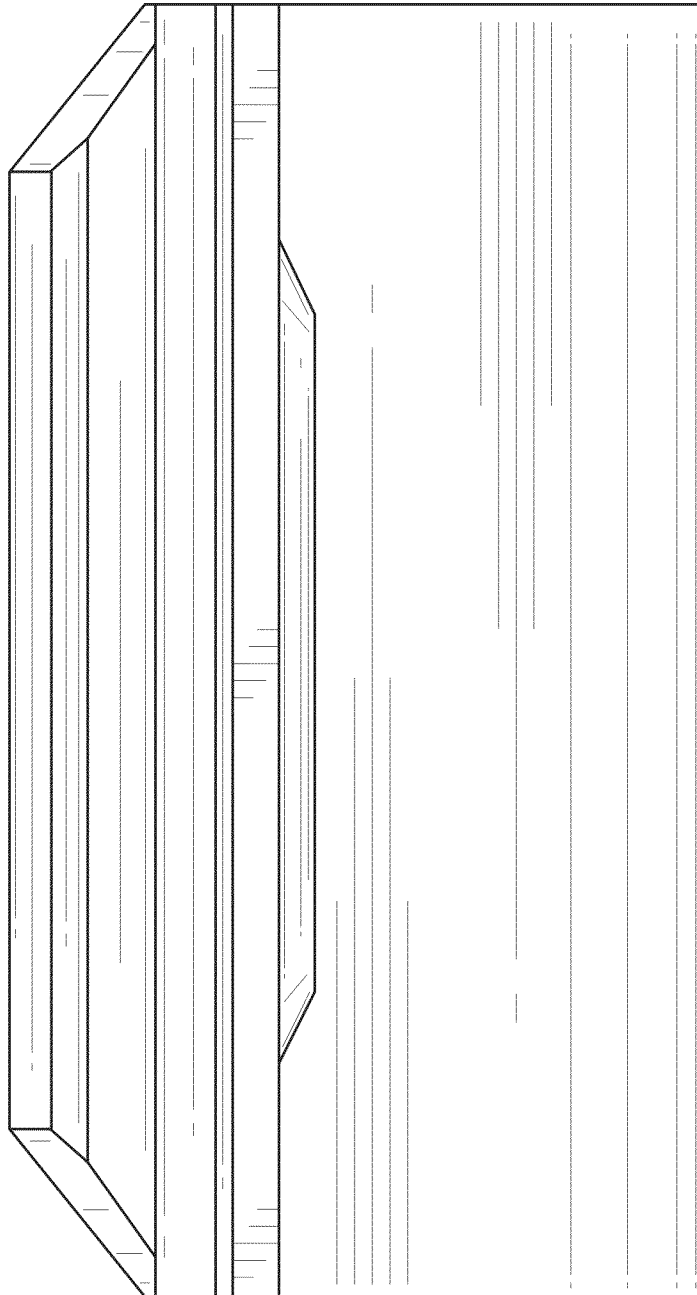


FIG. 8