

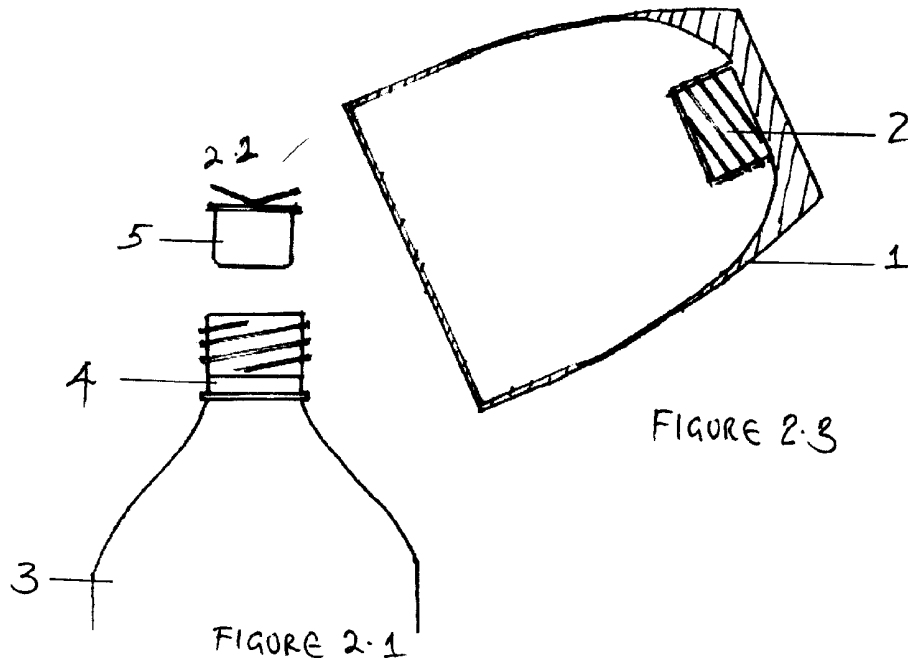
(12) UK Patent Application (19) GB (11) 2 403 202 (13) A

(43) Date of A Publication 29.12.2004

(21) Application No:	0314974.7	(51) INT CL ⁷ :	B65D 41/26 , A47G 19/22
(22) Date of Filing:	26.06.2003	(52) UK CL (Edition W):	B8D DA D1A1 D1A2A D1F1 D13 D7PY A4A AA B8T TPA TWX U1S S1103
(71) Applicant(s): Herywan Lee JI Bintang No 40, Tanjung Pinang Riau 29111, Indonesia SmithField Consortium Ltd (Incorporated in the United Kingdom) 81 Westcombe Avenue, CROYDON, CR0 3DF, United Kingdom		(56) Documents Cited:	GB 1593066 A WO 2003/018419 A1 WO 1989/005269 A1 US 4273247 A WO 2002/060775 A1 FR 002754790 A1 US 4230230 A
(72) Inventor(s): Herywan Lee Olu Adesanya		(58) Field of Search:	UK CL (Edition) A4A AA, B8D DA DSX5, B8T TWX INT CL ⁷ A47G 19/22, B65D 41/26 Other: ONLINE:WPI,EPODOC,JAPIO, TXTUS0, TXTUS1, TXTUS 2, TXTUS3, TXTEP1, TXTGB1, TXTWO1
(74) Agent and/or Address for Service: SmithField Consortium Ltd 81 Westcombe Avenue, CROYDON, CR0 3DF, United Kingdom			

(54) Abstract Title: **Bottle having a drinking cup**

(57) A PET plastics bottle (3) is provided with a drinking cup (1) which may be formed integrally with a screw cap (2) or may have an inwardly protruding notch for engaging a groove around the body of the bottle. An inner stopper (5) may be provided, having a pull ring to facilitate removal.



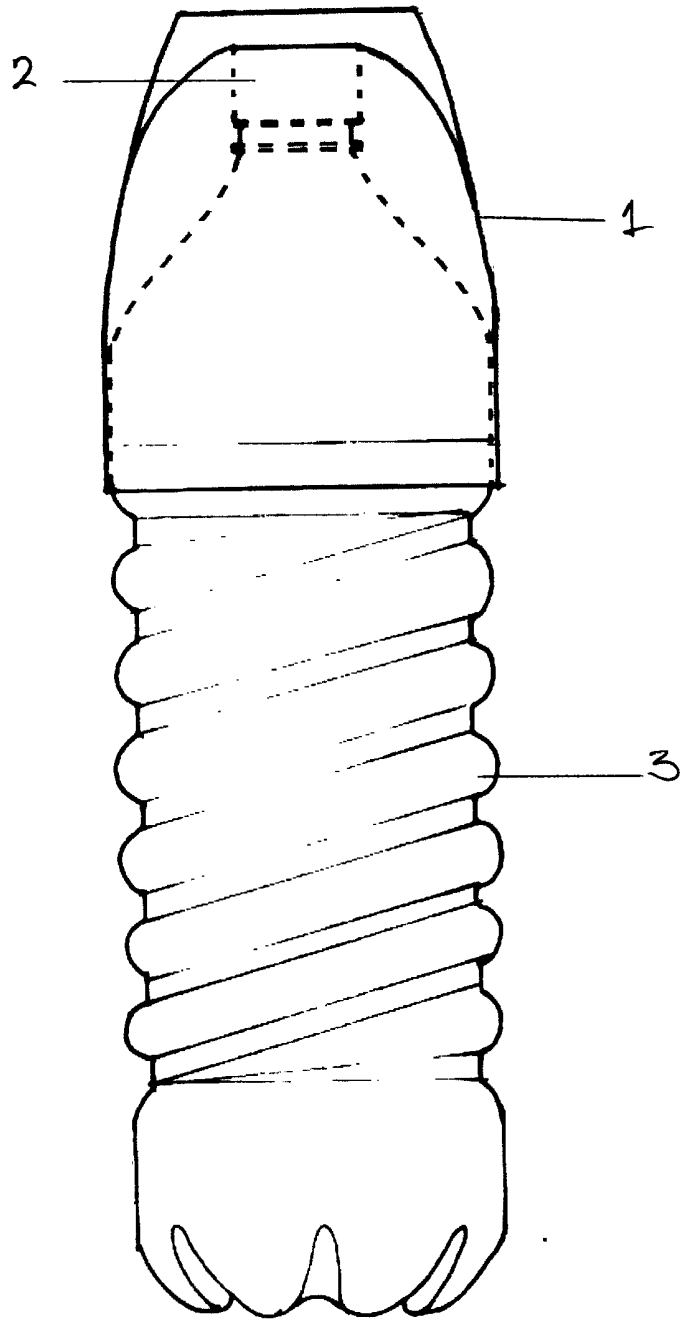


FIGURE 1.1

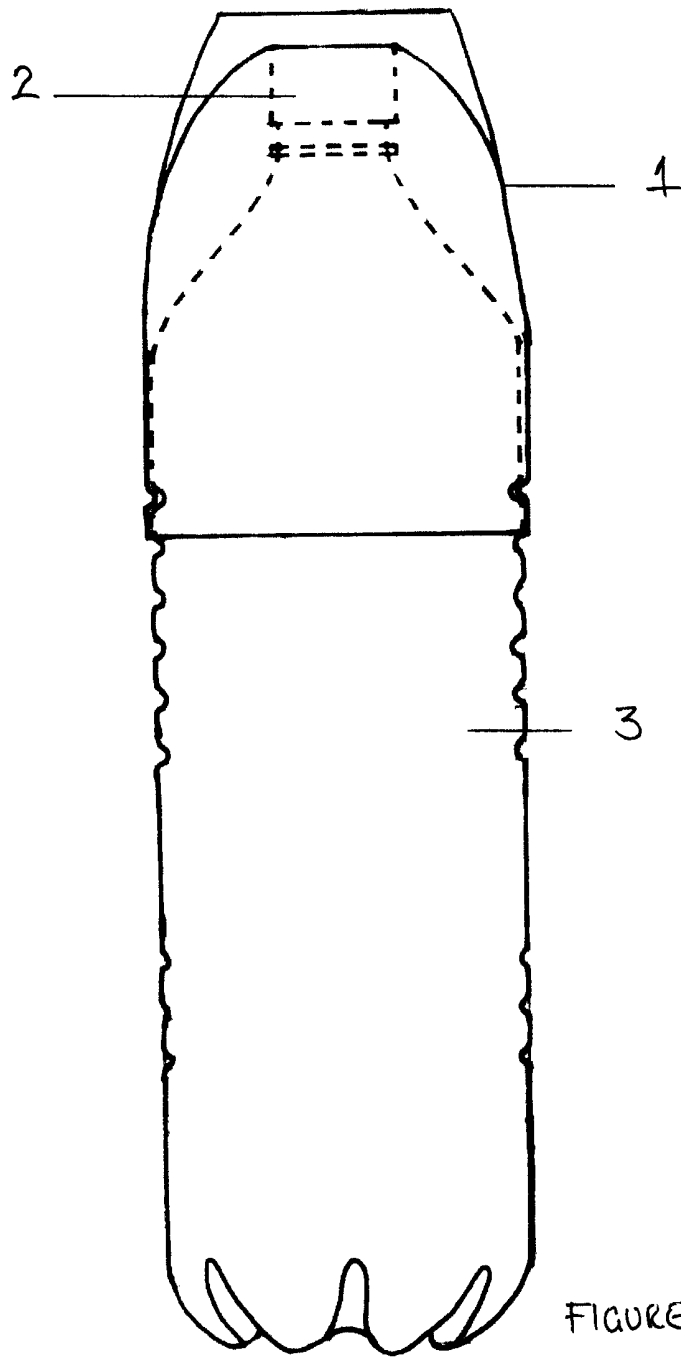
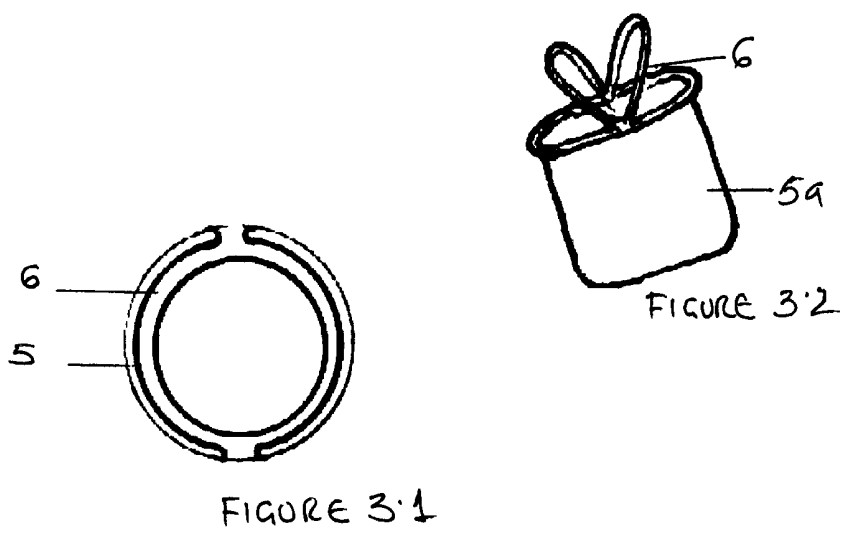
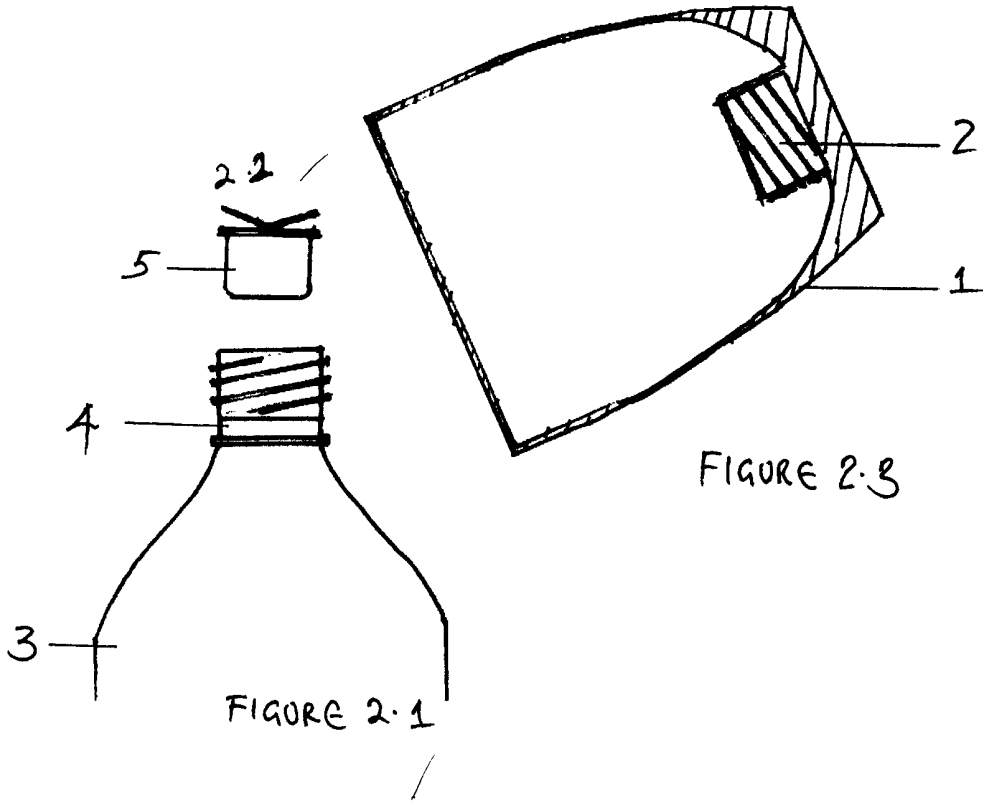


FIGURE 1.2



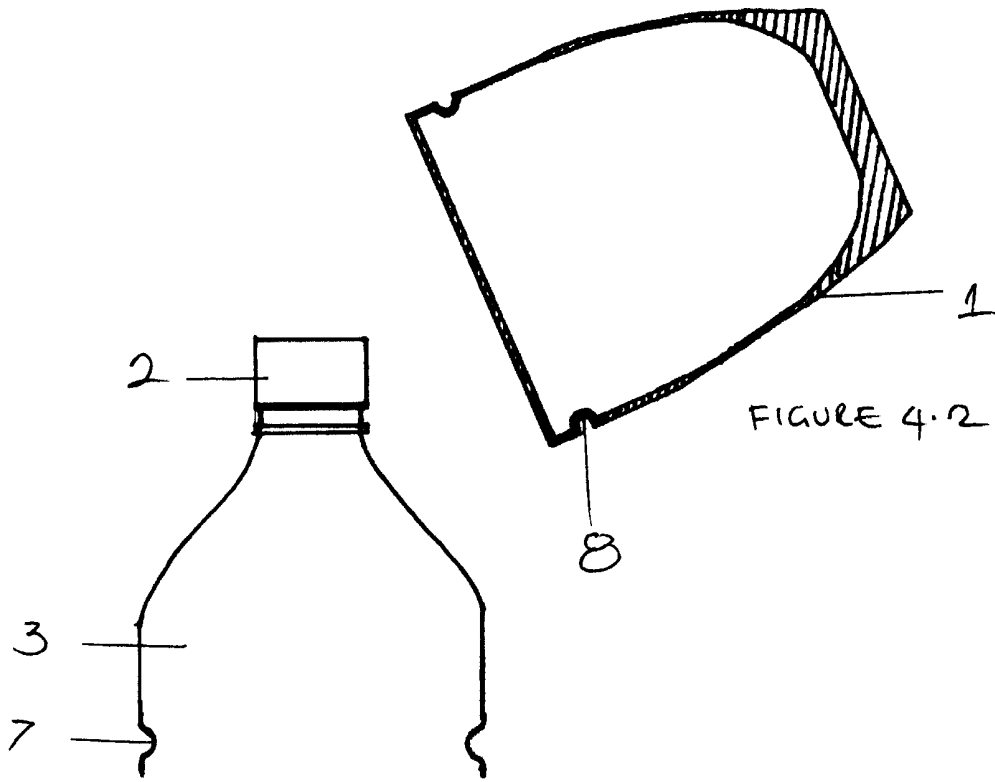


FIGURE 4.2

FIGURE 4.1

PET BOTTLE CUP CAP

The invention relates to a Polyethylene Terephthalate (PET) plastic bottle and bottle cap which incorporate a feature such as small open container, usually with a flat bottom with or without a handle, used for drinking. Such as a cup.

PET plastic packaging is commonly used to package soft drinks, water, juice and beverages. Manufacturers use PET plastic to package products because of its strength, thermo-stability and transparency. Customers choose PET because it is inexpensive, lightweight, resealable, shatter-resistant and recyclable.

However these PET plastic bottles are not convenient when used for drinking and content of the bottle is easily spilled on people clothing when drinking directly from the bottle

The idea was developed from the fact that when people at work, or outside of their home buy their favourite drinks in PET plastic bottles, they have to look or ask for cups they can use for drinking.

Most people do not like to drink directly from the bottle for concern of spilling their drink on themselves and/or are not happy for hygienic reasons to use cups provided in canteen or kitchenette or use cups provided general public use.

Moreover paper or plastic cups provided at some food and drink outlet can be awkward to carry around.

PET plastic bottles would be more user-friendly and convenient with an integrated cup.

The object of this invention is to provide a feature for a PET plastic bottle that incorporates a cup with its cap. The feature will be a PET bottle cup cap, an open container, usually with a flat bottom with or without a handle, used for drinking and suitable to be used anywhere and anytime.

Accordingly, this invention provides two types of PET bottle cup cap.

Invention Type A is a cup that is attached or formed with the bottle cap. The bottle cap and the cup are one piece that can be secured to the PET bottle by screwing it to the neck of the PET bottle via the cap that is attached inside the cup. The content of the bottle can be protected from insect and dirt when the cup cap is in use by a stopper.

The stopper would have a slight protruding base that would be pushed in to the opening of the bottle and can be pulled out using a pull ring attached to the top of the stopper.

Invention Type B is a cup with an inward protruding notch at a suitable distance around its circumference. The body of the PET bottle for invention Type B will have a groove at a suitable distance around the body of the bottle. The cup is placed over the bottle cap and on to the PET bottle. The inward notch on the cup and the groove on the body of the PET bottle will form a push and pull function to fit the cup securely on to the body of the PET bottle.

Preferably the PET bottle cup cap is made of same plastic material as Bottle caps or the same PET plastic material as PET Bottles or made from a combination of these materials or any other material as long as it is suitable for oral use and does not contaminate the liquid in it.

The PET bottle cup cap and the bottle can be produced in any shape or size.

The stopper is made of the soft plastic material or any other suitable plastic material
A preferred embodiment of the inventions will now be described with reference to the accompanying drawing which:

FIGURE 1.1 shows a side view of the whole PET bottle with the PET bottle cup attached or formed with cap, both PET bottle and PET bottle cup cap can be produced in many different shapes and sizes;

FIGURE 1.2 shows a side view of the whole PET bottle with the PET bottle cup cap fitted on the PET bottle using the push and pull function, both PET bottle and PET bottle cup cap can be produced in many different shapes and sizes;

FIGURE 2.1 is a side view of the PET bottle for invention Type A showing the bottle without a the bottle cap;

FIGURE 2.2 is a side view of the stopper used to protect the content of the PET bottle when the cup is in use

FIGURE 2.3 is a cross section of invention Type A PET bottle cup cap showing bottle cap attached or formed with the cup;

FIGURE 3.1 is an Arial view of the stopper showing the pull ring that can be used to pull the stopper out of the opening of the bottle;

FIGURE 3.2 is an isometric view of the stopper showing the protruding base and pull ring;

FIGURE 4.1 is a side view of the bottle for invention Type B showing the PET bottle cap and the PET bottle with the groove around its body;

FIGURE 4.2 is a cross section of invention Type B PET bottle cup cap showing the inward protruding notch around its circumference;

As shown in Figure 1.1 and 1.2, the PET bottle cup cap comprises of a Cup 1 attached or un-attached to the bottle cap 2 and placed on to the PET bottle 3;

Figure 2.1 represents the side view of the PET bottle for invention Type A PET bottle cup cap. The PET bottle 3 has a bottle neck 4, and a stopper 5 that can be used to protect the content of the PET bottle 3;

Figure 2.2 represents the side view of the stopper;

Figure 2.3 shows a cross section of invention Type A PET bottle cup cap, the bottle cap 2 is attached or formed with the Cup 1

Figure 3.1 represents the blown up Arial view of the stopper showing the pull ring 6 that can be used to pull the stopper out of the opening f the bottle;

Figure 3.2 represents an isometric view of the stopper showing the protruding base 5a and pull ring 6;

Figure 4.1 represents the side view of the PET bottle for invention Type B PET bottle cup cap. The PET bottle 3 has a normal bottle cap 2 and a groove 7 around its body;

Figure 4.2 shows is the cross section of invention Type B bottle cup cap with an inward protruding notch 8.

CLAIMS

1. The PET bottle cup cap, an open container such as a cup, incorporated with a PET bottle cap and PET bottle that will allow for a readily available and convenient cup to be used for drinking anytime anywhere. The PET bottle cup cap will be produced to fit on top of a PET bottle either attached or formed with the bottle cap or as a separate item fitted on to the body of the PET bottle.
2. The PET bottle cup cap as claimed in Claim 1 may be produced attached or formed with the bottle cap as one piece.
3. The PET bottle cup cap as claimed in Claim 2 may be produced with a separate device; a stopper that can be use to protect the content of the PET bottle from insect and dirt when the cup is in use.
4. The stopper as claim in Claim 3 will have a slight protruding base and a pull ring.
5. The PET bottle cup cap as claimed in Claim 1 may also be produced without been attached or formed with the bottle cap. It will be produced as a separate item with an inward protruding notch at a suitable distance around its circumference.
6. The PET bottle cup cap as claimed in Claim 5 will produced with a PET bottle that would be produced with a groove at a suitable distance around its body
7. The PET bottle cup cap as claimed in Claim 5 will operate a push and pull function with the PET bottle as claimed in Claim 6 to secure the PET bottle cup cap to the PET bottle.
8. The PET bottle cup cap as claimed in Claim 1 including its PET bottle will be produced in any shape or size.
9. The PET bottle cup cap as claimed in Claim 1, 2 and 5 will be produced in the same PET plastic material as PET bottles or the same plastic material as Bottle caps or made from a combination of these materials or any other material as long as it is suitable for oral use and does not contaminate the liquid in it.
10. The stopper as claimed in Claim 4 will be produced in the soft plastic material or any other suitable material.
11. PET bottle cup cap as claimed in Claim 1, 2 and 5 including the PET bottle as claimed in Claim 6 will be produced in any colour.



INVENT FOR IN PEOPLE

Application No: GB 0314974.7
Claims searched: 1 to 11

Examiner: Mike Henderson
Date of search: 2 December 2003

Patents Act 1977 : Search Report under Section 17

Documents considered to be relevant:

Category	Relevant to claims	Identity of document and passage or figure of particular relevance
X	1 to 11	GB 2161134A (FLOOD) (Whole disclosure relevant)
X	1 to 11	GB 1593066 (SCHENLEY INDUSTRIES INC) (Whole disclosure relevant)
X	1 to 11	WO 2003/018419A1 (ZOTT GmbH & CO KG) (Figs & abstract particularly relevant)
X	1 to 11	WO 2002/060775A1 (KIM) (Whole disclosure relevant)
X	1 to 11	WO 1989/005269A1 (HICKINBOTHAM WINEMAKERS PTY LTD) (Whole disclosure relevant)
X	1 to 11	US 4273247 (EARLS) (Whole disclosure relevant)
X	1 to 11	US 4230230 (MUMFORD) (Whole disclosure relevant)
X	1 to 11	FR 2754790A1 (SOARES DUARTE ANTOINE) (Figs & translated abstract most relevant)

Categories

X Document indicating lack of novelty or inventive step	A Document indicating technological background and/or state of the art
Y Document indicating lack of inventive step if combined with one or more other documents of same category	P Document published on or after the declared priority date but before the filing date of this invention
& Member of the same patent family	E Patent document published on or after, but with priority date earlier than, the filing date of this application

Field of Search:

Search of GB, EP, WO & US patent documents classified in the following areas of the UKC^v.

A4A B8D B8T

Worldwide search of patent documents classified in the following areas of the IPC⁷

A47G B65D

The following online and other databascs have been used in the preparation of this search report:

ONLINE WPI,EPODOC,JAPIO,TXTUS0,TXTUS1,TXTUS2,
TXTUS3,TXTEP1,TXTGB1,TXTWO1