



US00D619879S

(12) **United States Design Patent**
McCarthy et al.

(10) **Patent No.:** **US D619,879 S**

(45) **Date of Patent:** **** Jul. 20, 2010**

(54) **FENCE BRACKET**

(75) Inventors: **Peter McCarthy**, Woodbridge (CA); **Vic De Zen**, Woodbridge (CA); **Rolf J. Ohrstrom**, Richmond Hill (CA)

(73) Assignee: **Vision Extrusions Limited**, Woodbridge (CA)

(**) Term: **14 Years**

(21) Appl. No.: **29/344,069**

(22) Filed: **Sep. 23, 2009**

(51) **LOC (9) Cl.** **08-05**

(52) **U.S. Cl.** **D8/354; D8/380**

(58) **Field of Classification Search** D8/349, D8/354, 356, 363, 373, 380, 382; D25/38, D25/39, 133; 248/200, 218.4, 227.3, 251, 248/264, 300; 256/59, 65.01–65.07, 66; 403/187, 192, 230, 232, 260, 262

See application file for complete search history.

(56) **References Cited**

U.S. PATENT DOCUMENTS

2,528,358	A *	10/1950	Grass	248/251
4,114,861	A *	9/1978	Long	256/67
4,265,423	A *	5/1981	Vecchiarelli	248/264
4,825,621	A *	5/1989	Jensen	52/702
D319,573	S *	9/1991	Rogers	D8/380
D321,885	S *	11/1991	Sheldrake	D8/373
5,186,571	A *	2/1993	Hentzschel	256/65.06
5,547,169	A *	8/1996	Russell	256/67
5,603,580	A *	2/1997	Leek et al.	403/232.1
D378,986	S *	4/1997	Darula	D8/354
D398,219	S *	9/1998	Campman	D8/363
D409,078	S *	5/1999	Bolt	D8/354

5,961,242	A *	10/1999	Leone	403/234
6,053,481	A *	4/2000	Scheide	256/65.06
D435,213	S *	12/2000	Erwin	D8/363
D439,140	S *	3/2001	Jokinen et al.	D8/363
6,471,192	B1 *	10/2002	Erwin	256/65.05
D478,801	S *	8/2003	Spruill	D8/354
D523,325	S *	6/2006	Ignagni	D8/354
D532,679	S *	11/2006	Ignagni	D8/354
D548,051	S *	8/2007	Ruppert et al.	D8/354
D556,558	S *	12/2007	Biancardi et al.	D8/380

* cited by examiner

Primary Examiner—Philip S Hyder

Assistant Examiner—Cynthia M Chin

(74) *Attorney, Agent, or Firm*—Bereskin & Parr LLP/S.E.N.C.R., s.r.l.

(57) **CLAIM**

The ornamental design for a fence bracket, as shown and described.

DESCRIPTION

FIG. 1 is a front perspective view of the fence bracket of the present design;

FIG. 2 is a back perspective view of the fence bracket of FIG. 1;

FIG. 3 is a left side view of the fence bracket of FIG. 1;

FIG. 4 is a front view of the fence bracket of FIG. 1;

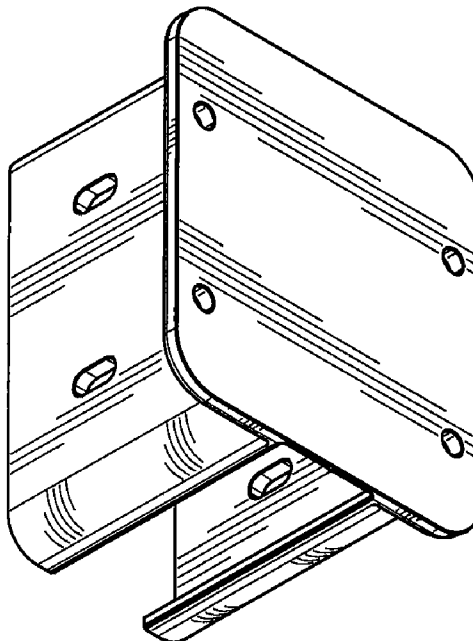
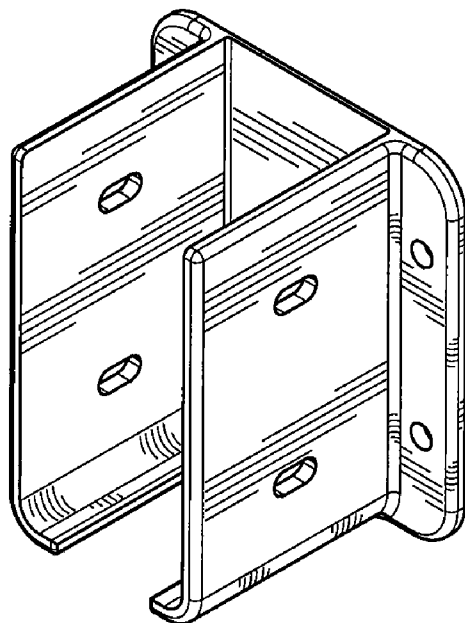
FIG. 5 is a right side view of the fence bracket of FIG. 1;

FIG. 6 is a back view of the fence bracket of FIG. 1;

FIG. 7 is a top view of the fence bracket of FIG. 1; and,

FIG. 8 is a bottom view of the fence bracket of FIG. 1.

1 Claim, 4 Drawing Sheets



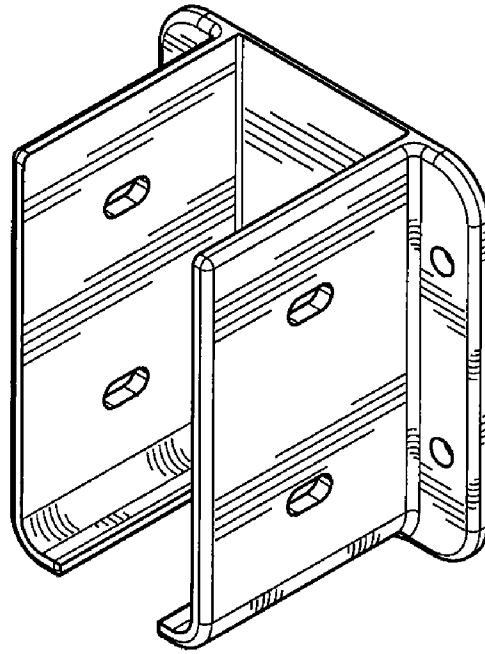


FIG. 1

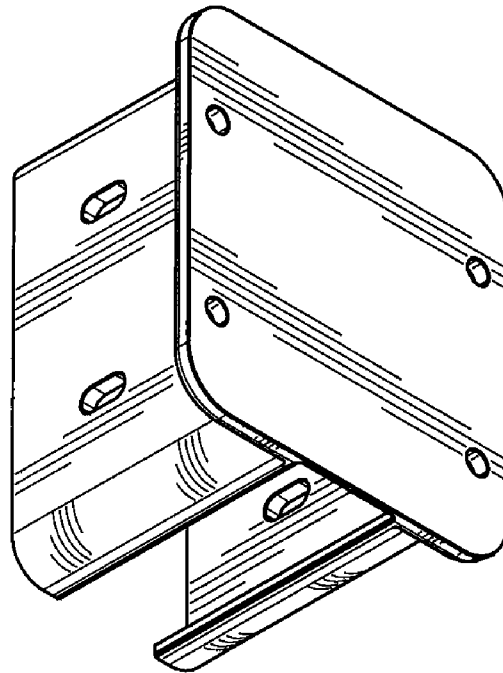


FIG. 2

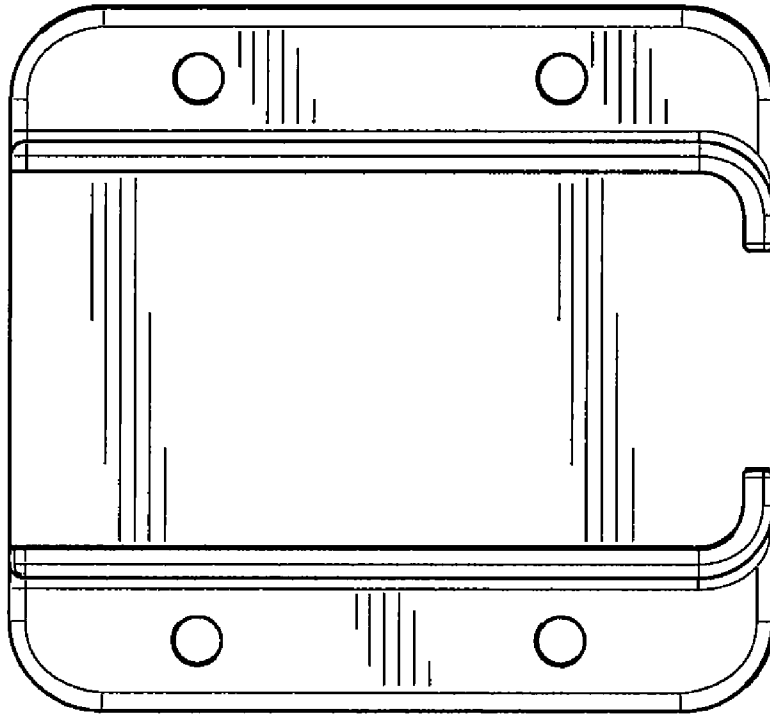


FIG. 4

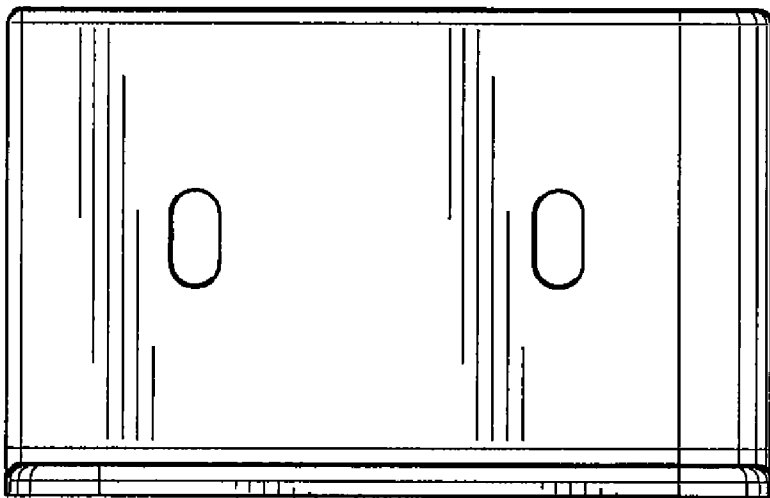


FIG. 3

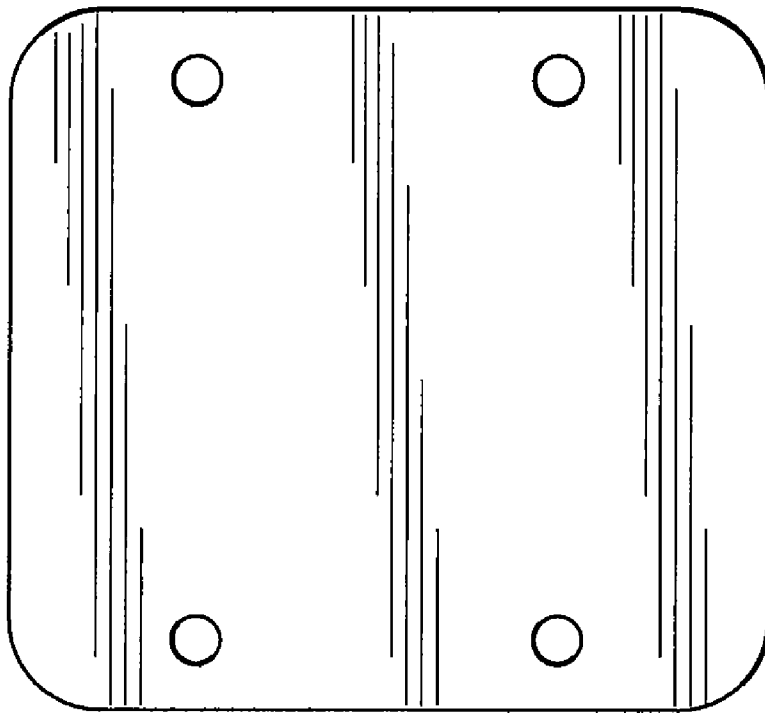


FIG. 6

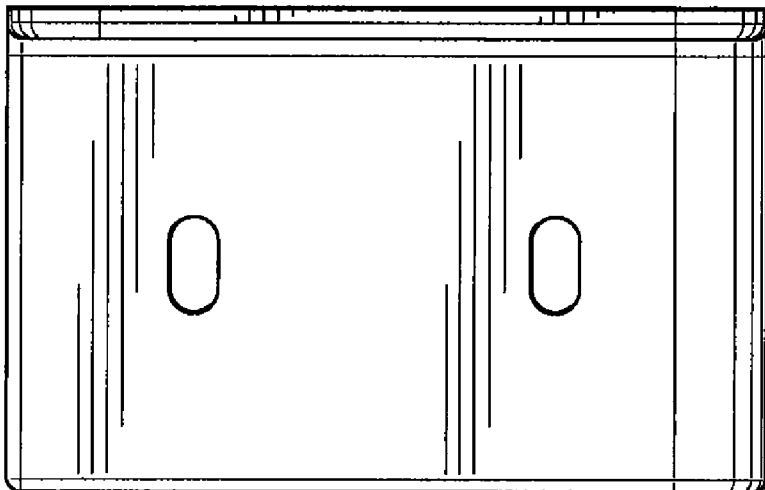


FIG. 5

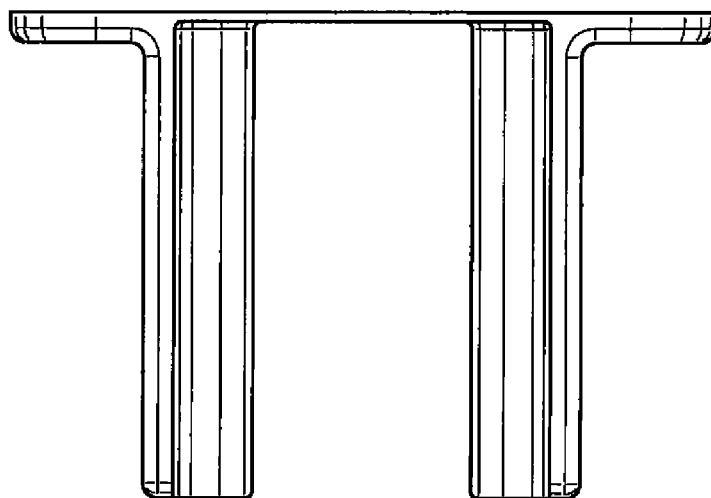


FIG. 7

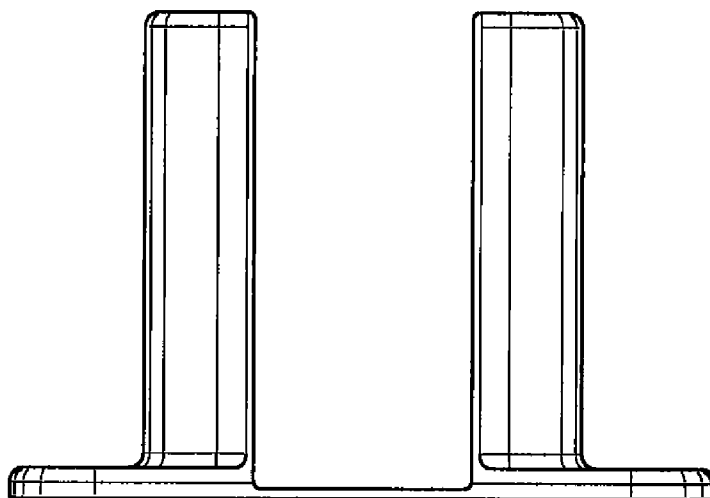


FIG. 8