



US00D857093S

(12) **United States Design Patent**
Mills et al.

(10) **Patent No.:** **US D857,093 S**

(45) **Date of Patent:** **** Aug. 20, 2019**

(54) **PAYMENT CARD**

(71) Applicant: **Capital One Services, LLC**, McLean, VA (US)

(72) Inventors: **Brian R. Mills**, Richmond, VA (US);
Carl Pierce, Philadelphia, PA (US)

(73) Assignee: **CAPITAL ONE SERVICES, LLC**, McLean, VA (US)

(**) Term: **15 Years**

(21) Appl. No.: **29/677,787**

(22) Filed: **Jan. 23, 2019**

Related U.S. Application Data

(62) Division of application No. 29/596,806, filed on Mar. 10, 2017, now Pat. No. Des. 845,387.

(51) **LOC (12) Cl.** **19-08**

(52) **U.S. Cl.**
USPC **D19/9**

(58) **Field of Classification Search**

USPC D19/1-10, 20-34; 40/124.01-124.15,
40/661, 776, 726; 283/72, 75-76,
283/105-107, 82, 70, 904, 74; 206/449;
D21/385; D20/10-11, 22, 27, 40, 42;
360/2; 235/380, 382
CPC B42D 15/00; B42D 15/022; B42D 15/027;
B42D 15/045; B42D 15/047; B42D
25/00; B42D 25/20; B42D 25/23; B42D
25/26; B42D 25/29; B42D 25/30; B42D
25/40;

(Continued)

(56) **References Cited**

U.S. PATENT DOCUMENTS

D466,929 S * 12/2002 Haas D19/10
D480,754 S 10/2003 Berger

(Continued)

OTHER PUBLICATIONS

Design U.S. Appl. No. 29/596,817, filed Mar. 10, 2017.
Design U.S. Appl. No. 29/527,734, filed May 21, 2015.
Design U.S. Appl. No. 29/584,795, filed Nov. 17, 2016.

Primary Examiner — Abraham Bahta

(74) *Attorney, Agent, or Firm* — Finnegan, Henderson, Farabow, Garrett & Dunner LLP

(57) **CLAIM**

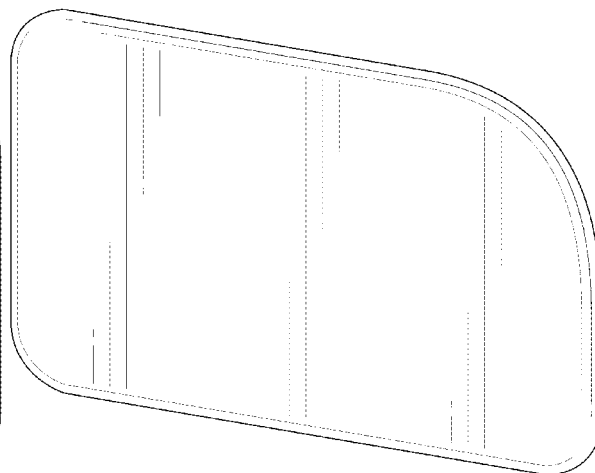
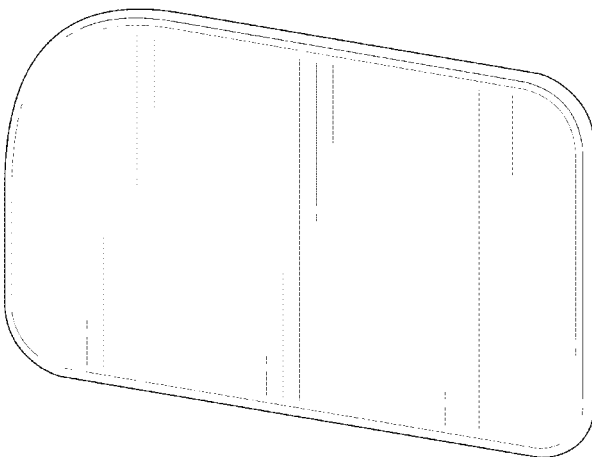
The ornamental design for a payment card, as shown and described.

DESCRIPTION

FIG. 1 is a front right perspective view of a first embodiment of a payment card showing our new design; FIG. 2 is a rear left perspective view thereof; FIG. 3 is a front elevation view thereof; FIG. 4 is a rear elevation view thereof; FIG. 5 is a top plan view thereof; FIG. 6 is a right side view thereof; FIG. 7 is a left side view thereof; FIG. 8 is an enlarged, detailed view of the top view, as shown in FIG. 5; FIG. 9 is a front right perspective view of a second embodiment of a payment card showing our new design; FIG. 10 is a rear left perspective view thereof; FIG. 11 is a front elevation view thereof; FIG. 12 is a rear elevation view thereof; FIG. 13 is a top plan view thereof; FIG. 14 is a right side view thereof; FIG. 15 is a left side view thereof; and, FIG. 16 is an enlarged, detailed view of the top view, as shown in FIG. 13.

The shape of the edge of the payment card illustrated in FIGS. 8 and 16 is consistent around the perimeter of the top, right, left, and bottom sides of the payment card in both embodiments. The broken lines shown in the drawings illustrate portions of the payment card that form no part of the claimed design.

1 Claim, 16 Drawing Sheets



(58) **Field of Classification Search**

CPC B42D 25/22; B42D 2033/02; B42D
2033/04; B42D 2033/08; B42D 2033/10;
B42D 2033/16; B42D 2033/18; B42D
2033/20; B42D 2033/28; B42D 2033/30

See application file for complete search history.

(56) **References Cited**

U.S. PATENT DOCUMENTS

D490,103 S	5/2004	Rangel et al.
D510,384 S	10/2005	Allen et al.
D559,905 S	1/2008	Halbur et al.
D568,388 S	5/2008	Hammad
D569,425 S	5/2008	Law et al.
D571,856 S	6/2008	Hammad et al.
D575,332 S	8/2008	Parker et al.
D599,849 S	9/2009	Halbur et al.
D624,962 S	10/2010	Lazarowicz et al.
D634,780 S	3/2011	Schumann
D690,767 S	10/2013	Lindley
D724,660 S	3/2015	Sippola et al.
D779,591 S	2/2017	Cepress

* cited by examiner



FIG. 1

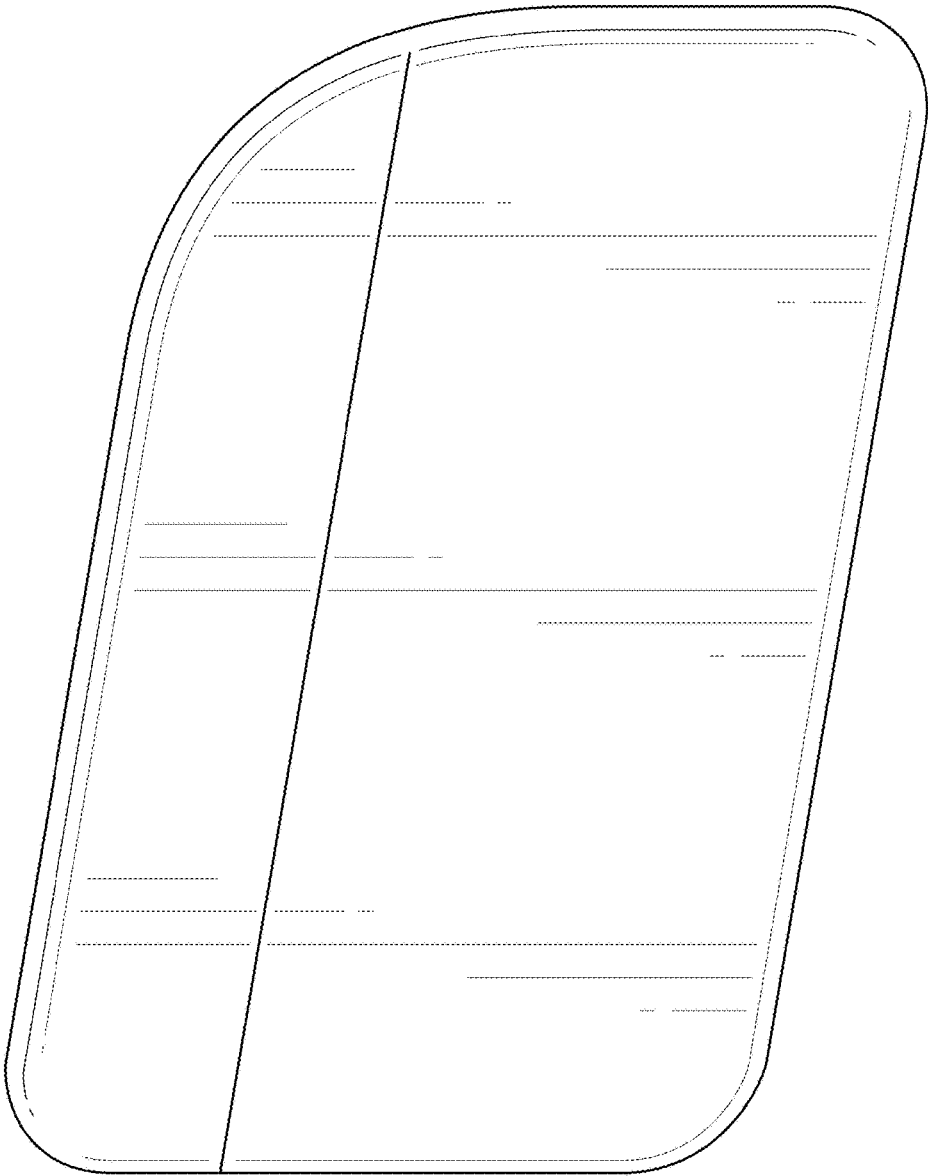


FIG. 2

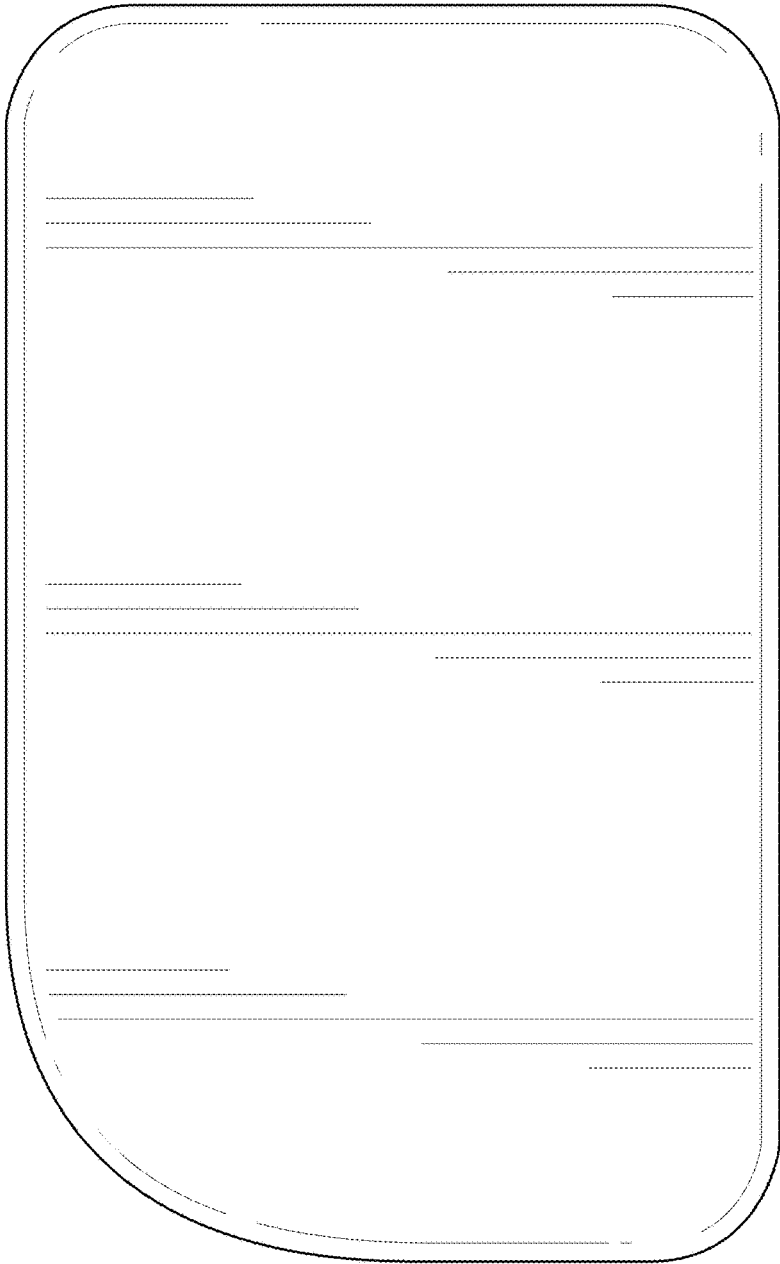


FIG. 3

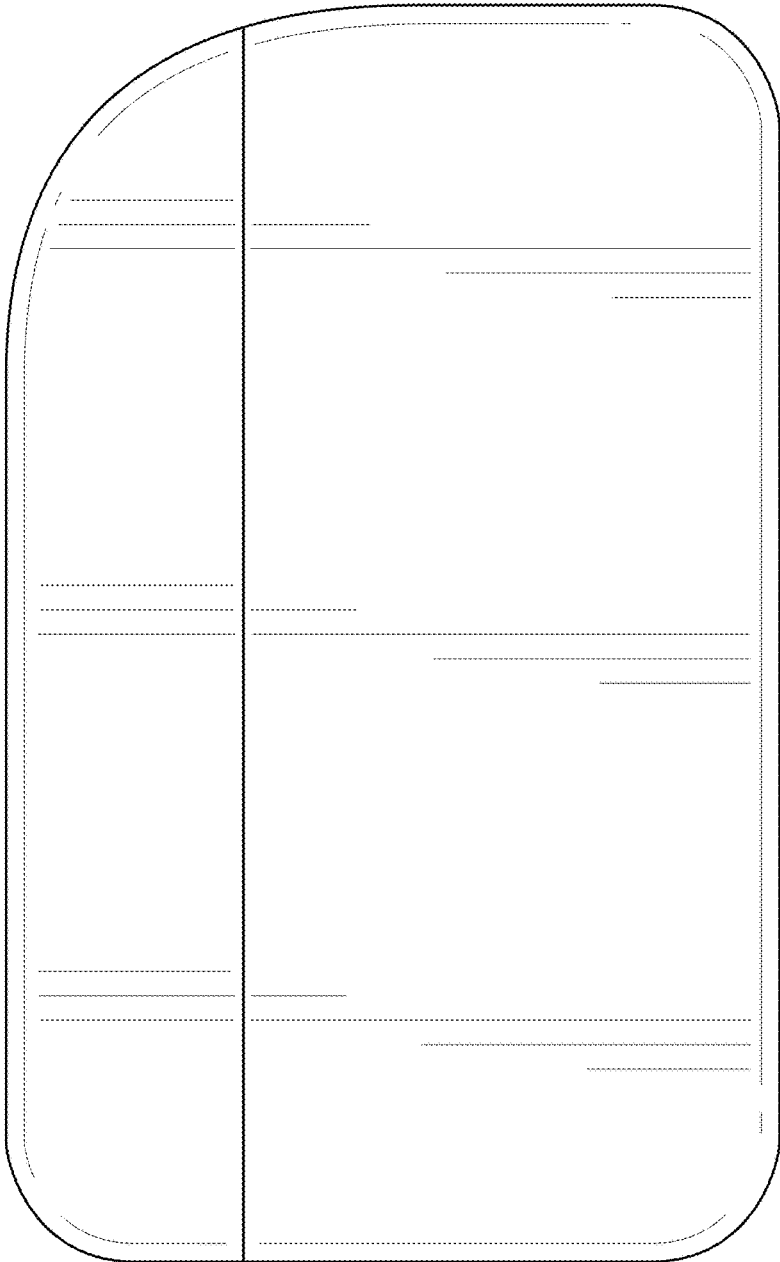


FIG. 4

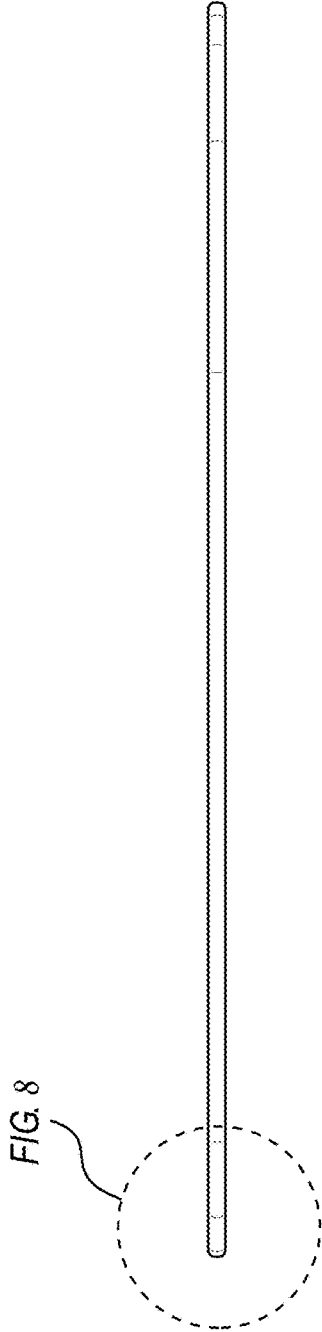


FIG. 5



FIG. 6



FIG. 7

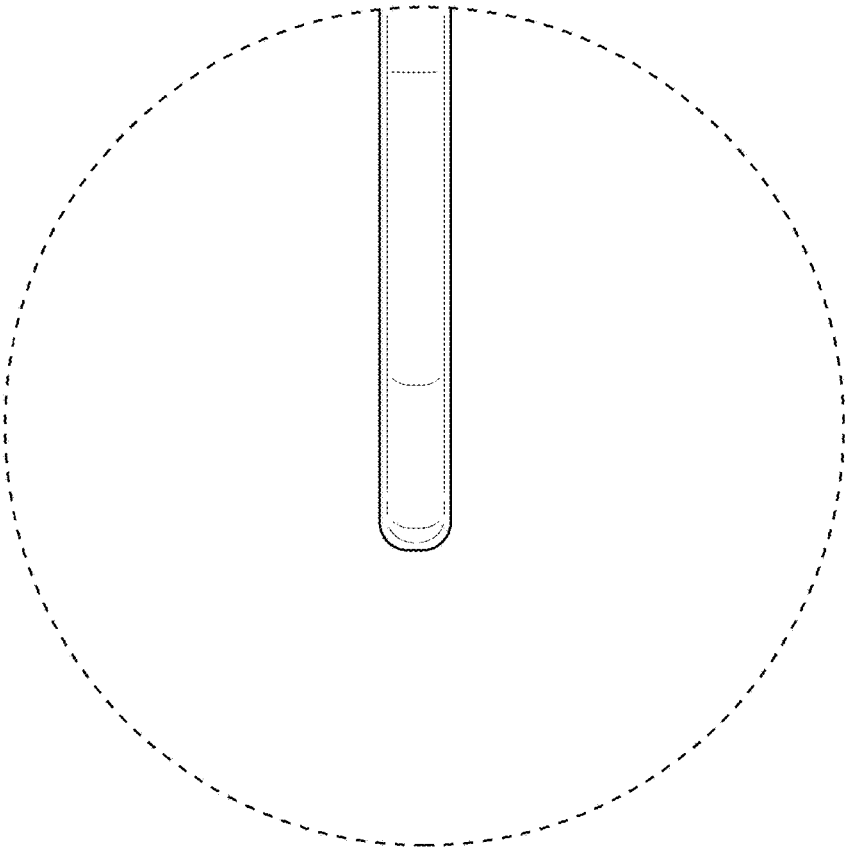


FIG. 8

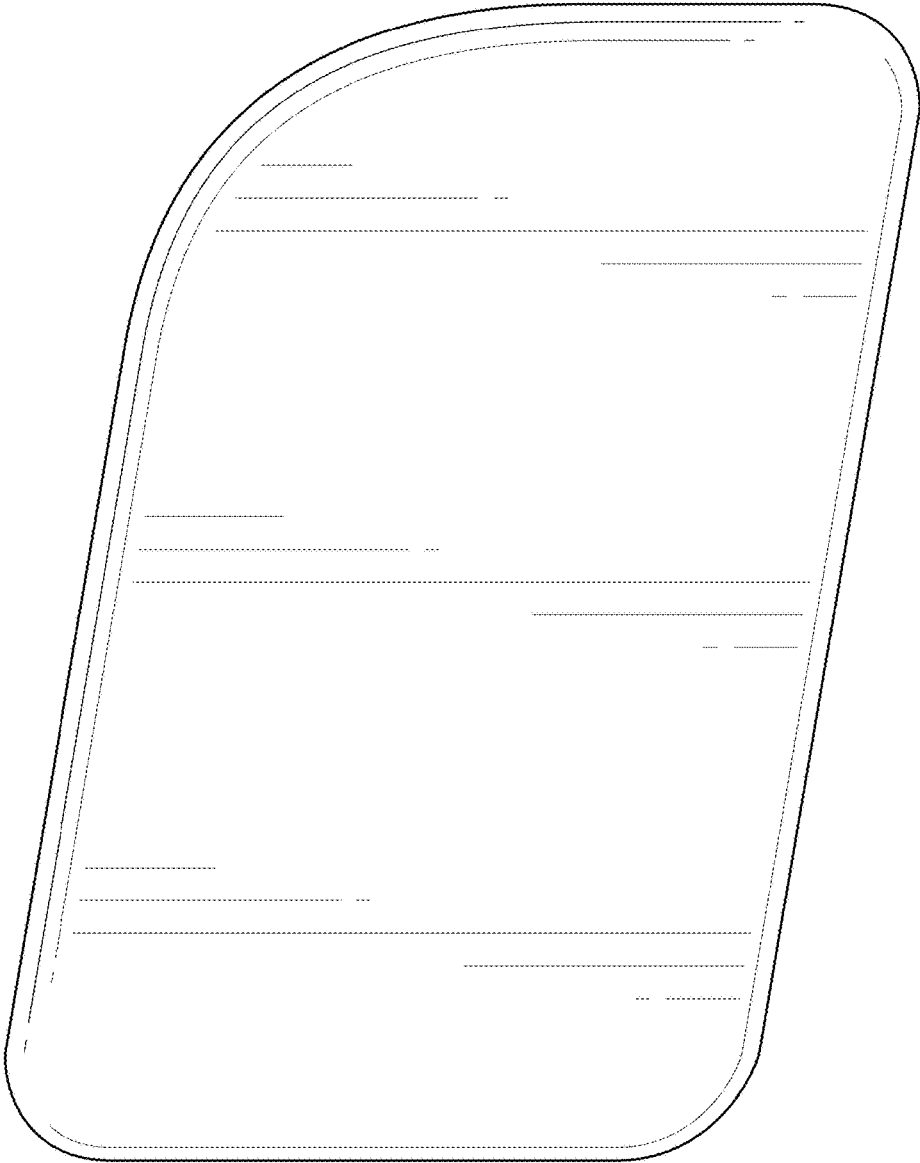


FIG. 9

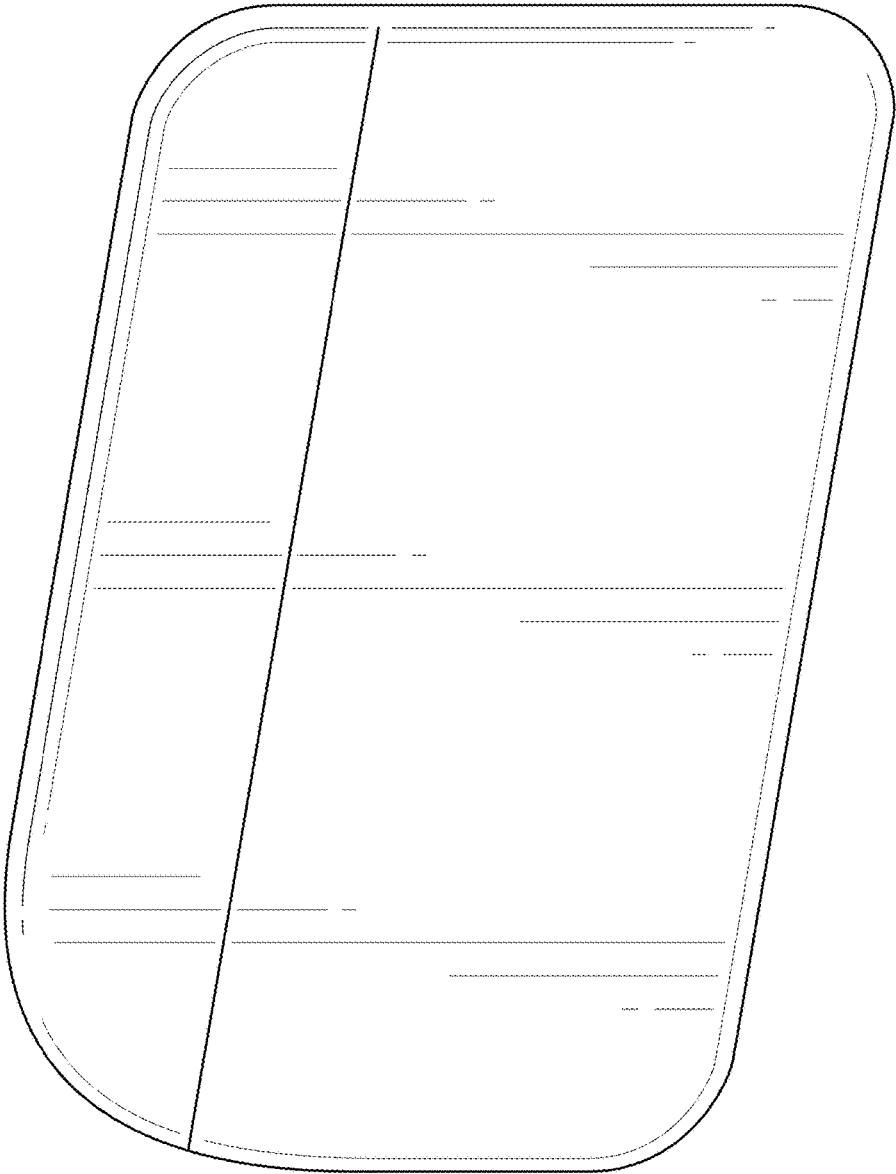


FIG. 10

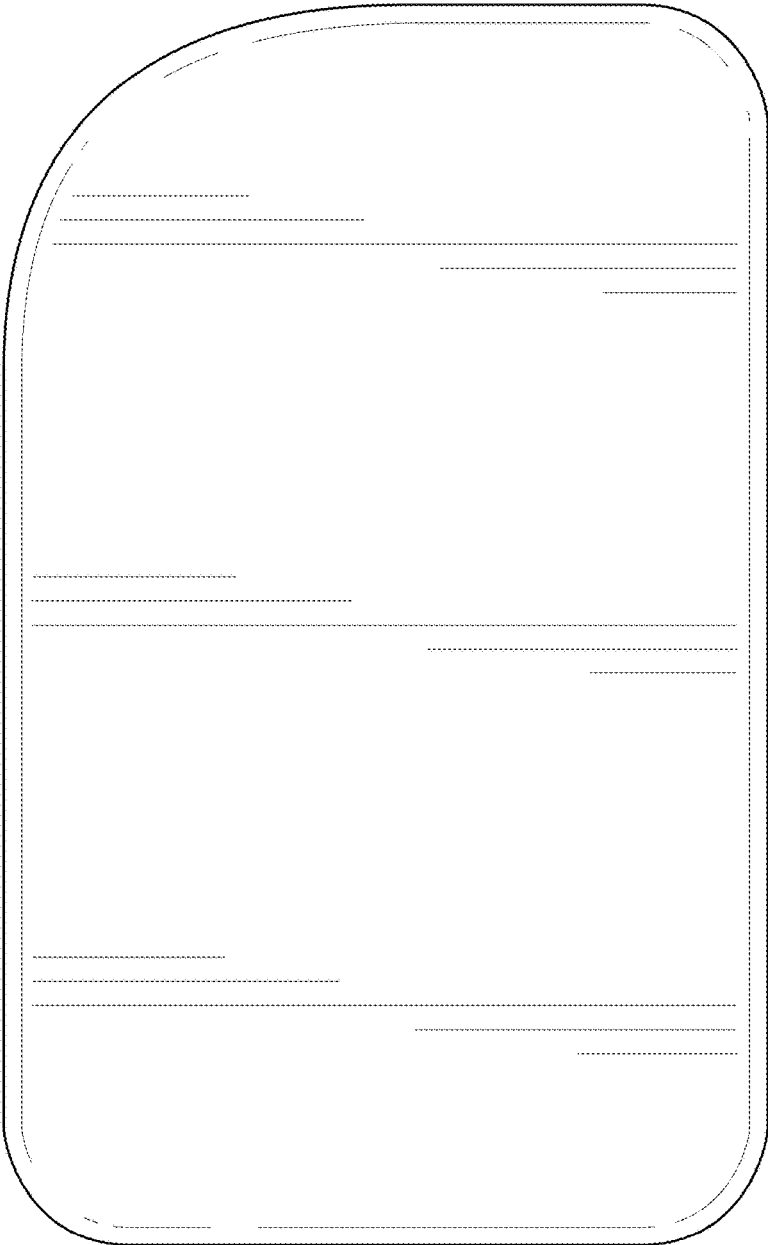


FIG. 11

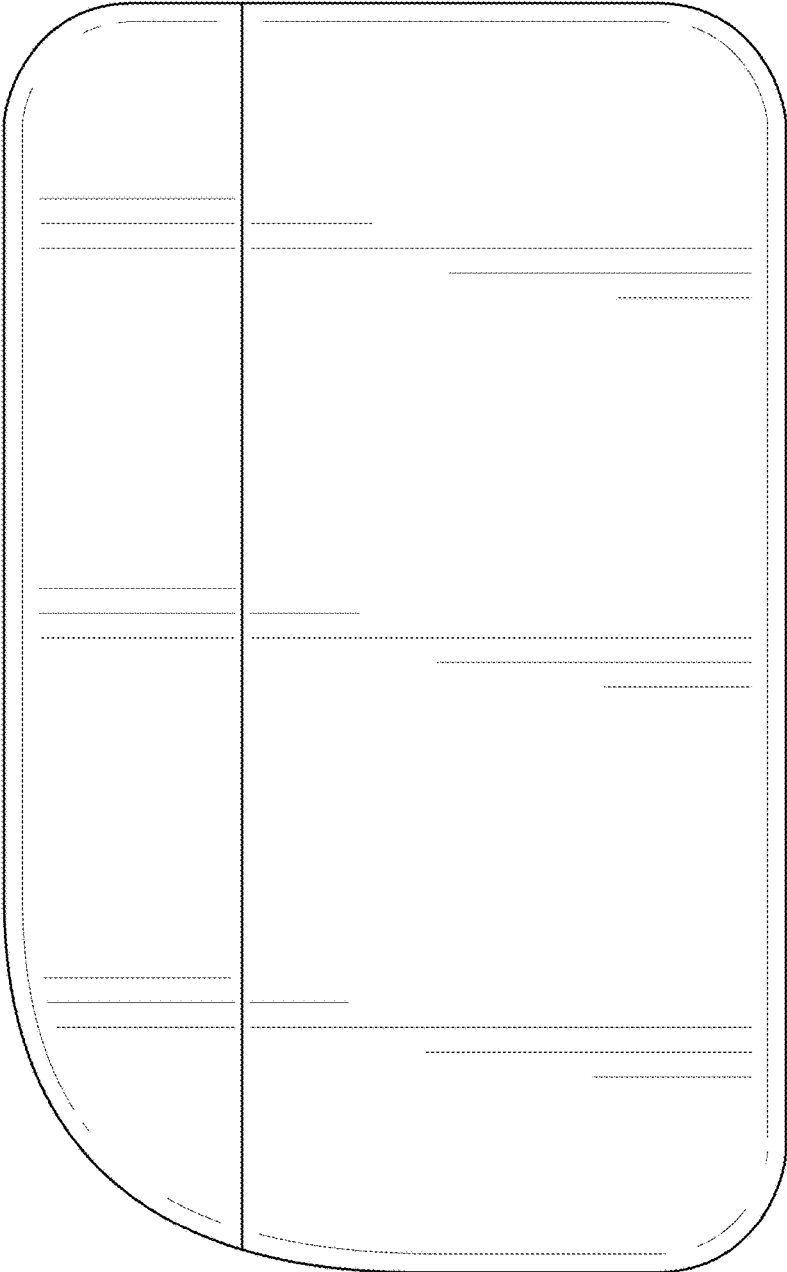


FIG. 12

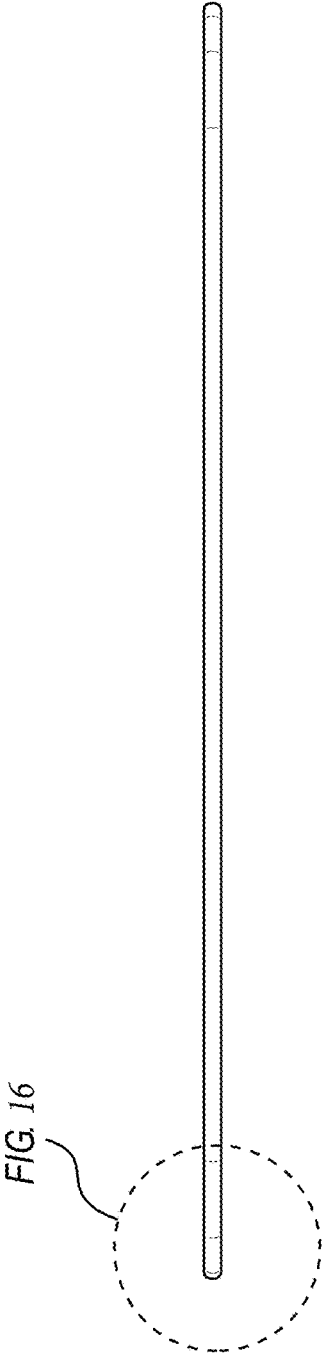


FIG. 13



FIG. 14



FIG. 15

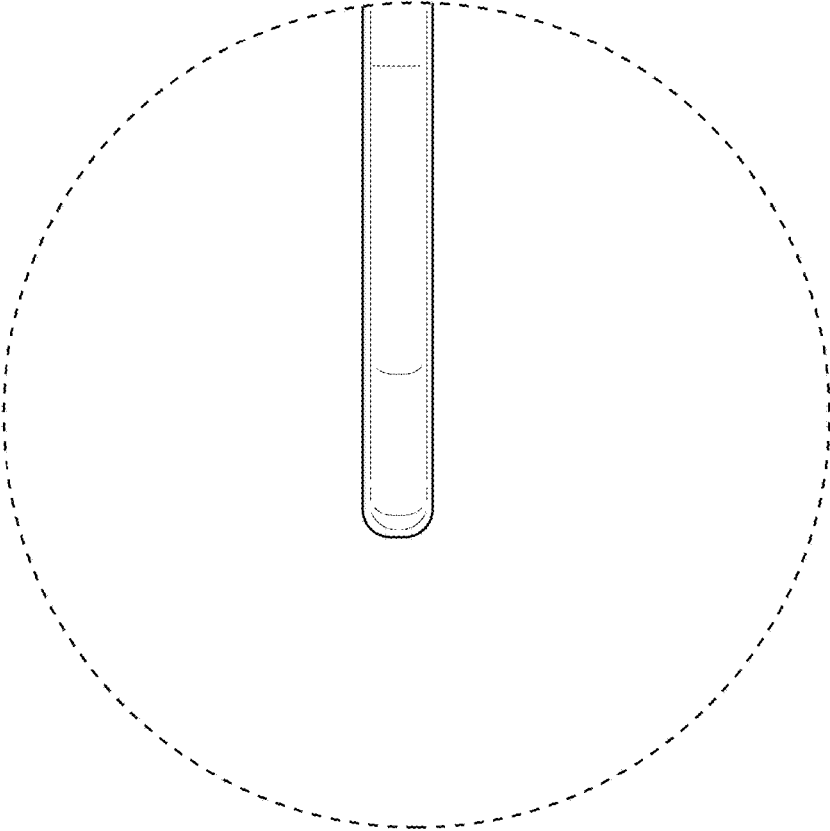


FIG. 16