

(19) World Intellectual Property Organization  
International Bureau



(43) International Publication Date  
12 September 2008 (12.09.2008)

PCT

(10) International Publication Number  
**WO 2008/108886 A3**

- (51) **International Patent Classification:**  
A61F 9/00 (2006.01) A61M 5/44 (2006.01)
- (21) **International Application Number:**  
PCT/US2007/080078
- (22) **International Filing Date:** 1 October 2007 (01.10.2007)
- (25) **Filing Language:** English
- (26) **Publication Language:** English
- (30) **Priority Data:**  
11/581,630 16 October 2006 (16.10.2006) US  
11/581,591 16 October 2006 (16.10.2006) US  
11/581,629 16 October 2006 (16.10.2006) US
- (71) **Applicant (for all designated States except US):** ALCON RESEARCH, LTD. [US/US]; 6201 South Freeway, Fort Worth, Texas 76134 (US).

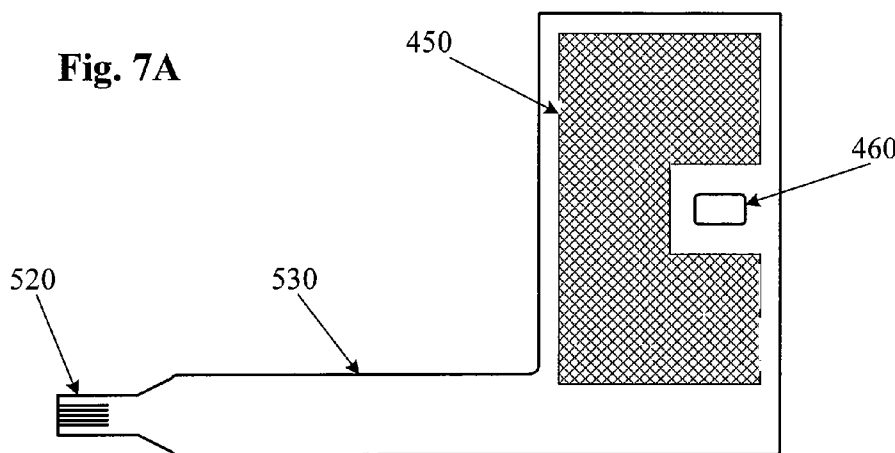
- (81) **Designated States (unless otherwise indicated, for every kind of national protection available):** AE, AG, AL, AM, AT, AU, AZ, BA, BB, BG, BH, BR, BW, BY, BZ, CA, CH, CN, CO, CR, CU, CZ, DE, DK, DM, DO, DZ, EC, EE, EG, ES, FT, GB, GD, GE, GH, GM, GT, HN, HR, HU, ID, IL, IN, IS, JP, KE, KG, KM, KN, KP, KR, KZ, LA, LC, LK, LR, LS, LT, LU, LY, MA, MD, ME, MG, MK, MN, MW, MX, MY, MZ, NA, NG, NI, NO, NZ, OM, PG, PH, PL, PT, RO, RS, RU, SC, SD, SE, SG, SK, SL, SM, SV, SY, TJ, TM, TN, TR, TT, TZ, UA, UG, US, UZ, VC, VN, ZA, ZM, ZW
- (84) **Designated States (unless otherwise indicated, for every kind of regional protection available):** ARIPO (BW, GH, GM, KE, LS, MW, MZ, NA, SD, SL, SZ, TZ, UG, ZM, ZW), Eurasian (AM, AZ, BY, KG, KZ, MD, RU, TJ, TM), European (AT, BE, BG, CH, CY, CZ, DE, DK, EE, ES, FI, FR, GB, GR, HU, IE, IS, IT, LT, LU, LV, MC, MT, NL, PL, PT, RO, SE, SI, SK, TR), OAPI (BF, BJ, CF, CG, CI, CM, GA, GN, GQ, GW, ML, MR, NE, SN, TD, TG).

- (72) **Inventors; and**
- (75) **Inventors/Applicants (for US only):** DOS SANTOS, Cesario [PT/US]; 23411 Summerfield, #59B, Aliso Viejo, California 92656 (US). SANCHEZ, Robert J. Jr. [US/US]; 790 Harbor Cliff Way, #181, Oceanside, California 92054 (US).
- (74) **Agents:** BASSINGER, Kenneth D. et al; 6201 South Freeway, TB4-8, Fort Worth, Texas 76134 (US).

- Published:**  
— with international search report  
— before the expiration of the time limit for amending the claims and to be republished in the event of receipt of amendments
- (88) **Date of publication of the international search report:**  
20 November 2008

(54) **Title:** TEMPERATURE CONTROL DEVICE AND THERMAL SENSOR ASSEMBLY FOR MEDICAL DEVICE

**Fig. 7A**



(57) **Abstract:** A dispensing assembly (205) has a dispensing chamber housing (425), a temperature control device (450), a thermal sensor (460), and an interface (530). The dispensing chamber housing has an inner surface, an outer surface, and a wall thickness. The inner surface partially defines a dispensing chamber »(405) for receiving a quantity of a substance. The temperature control device at least partially surrounds the dispensing chamber housing. The temperature control device alters a temperature of a substance in the dispensing chamber. The temperature control device and the thermal sensor are located on a substrate. The substrate is wrapped around an exterior surface of the dispensing chamber housing. The interface is connected to the temperature control device and the thermal sensor. An interface connector (520) is connected to the interface. The distance between the temperature control device and the thermal sensor is approximately equal to the wall thickness of the dispensing chamber housing.

WO 2008/108886 A3

## INTERNATIONAL SEARCH REPORT

International application No

PCT/US2007/080078

## A. CLASSIFICATION OF SUBJECT MATTER

INV. A61F9/00 A61M5/44

According to International Patent Classification (IPC) or to both national classification and IPC

## B. FIELDS SEARCHED

Minimum documentation searched (classification system followed by classification symbols)

**A61F -A61M**

Documentation searched other than minimum documentation to the extent that such documents are included in the fields searched

Electronic data base consulted during the international search (name of data base and, where practical, search terms used)

EPO-Inter pal , WPI Data

## C. DOCUMENTS CONSIDERED TO BE RELEVANT

Category	Citation of document, with indication, where appropriate, of the relevant passages	Relevant to claim No.
X	WO 2005/027578 A (PARK JAE-SANG [KR]) 24 March 2005 (2005-03-24)	1,4-8, 10-14
Y	page 8, line 11 - page 11, line 10 page 17, line 2 - line 20; figures 1-7,13	2,9
Y	EP 0 520 443 A (PPG INDUSTRIES INC [US]) PPG INDUSTRIES INC [JP]) 30 December 1992 (1992-12-30)	2,9
A	abstract; figure 25	1,11,15
A	US 5 662 612 A (NIEHOFF KENNETH J [US]) 2 September 1997 (1997-09-02) column 11, line 25 - line 44	1,11,15
A	EP 1 704 840 A (ALCON INC [CH]) 27 September 2006 (2006-09-27) the whole document	1,11,15

**D** Further documents are listed in the continuation of Box C.

See patent family annex.

Special categories of cited documents :

- "A" document defining the general state of the art which is not considered to be of particular relevance
- "E" earlier document but published on or after the international filing date
- "L" document which may throw doubts on priority claim(s) or which is cited to establish the publication date of another citation or other special reason (as specified)
- "O" document referring to an oral disclosure, use, exhibition or other means
- "P" document published prior to the international filing date but later than the priority date claimed

- "T" later document published after the international filing date or priority date and not in conflict with the application but cited to understand the principle or theory underlying the invention
- "X" document of particular relevance; the claimed invention cannot be considered novel or cannot be considered to involve an inventive step when the document is taken alone
- "Y" document of particular relevance; the claimed invention cannot be considered to involve an inventive step when the document is combined with one or more other such documents, such combination being obvious to a person skilled in the art.
- "&" document member of the same patent family

Date of the actual completion of the international search

**30 September 2008**

Date of mailing of the international search report

08/10/2008

Name and mailing address of the ISA/

European Patent Office, P.B 5818 Patentlaan 2  
NL - 2280 HV Rijswijk  
Tel (+31-70) 340-2040, Tx 31 651 epo nl,  
Fax: (+31-70) 340-3016

Authorized officer

Legu, A

## INTERNATIONAL SEARCH REPORT

Information on patent family members

International application No

PCT/US2007/080078

Patent document cited in search report	Publication date	Patent family member(s)	Publication date			
wo 2005027578	A	24-03-2005	CA 2538338 AI 24-03-2005			
			CN 1853445 A 25-10-2006			
			CN 1853446 A 25-10-2006			
			EP 1665887 AI 07-06-2006			
			JP 2007516007 T 21-06-2007			
			JP 2007515748 T 14-06-2007			
			wo 2005027579 AI 24-03-2005			
			KR 20050028970 A 24-03-2005			
			US 2007049869 AI 01-03-2007			
			US 2007062925 AI 22-03-2007			
			EP 0520443	A	30-12-1992	BR 9206198 A 29-11-1994
CA 2072311 AI 27-12-1992						
DE 69216485 DI 20-02-1997						
DE 69216485 T2 17-07-1997						
ES 2099182 T3 16-05-1997						
JP 2607001 B2 07-05-1997						
JP 6201638 A 22-07-1994						
MX 9203532 AI 01-11-1993						
wo 9300582 AI 07-01-1993						
US 5662612	A	02-09-1997				AT 339231 T 15-10-2006
						AT 249258 T 15-09-2003
			CA 2129284 AI 25-05-1995			
			DE 69433129 DI 16-10-2003			
			DE 69433129 T2 08-07-2004			
			DE 69434850 T2 06-09-2007			
			EP 1323441 A2 02-07-2003			
			EP 0654279 A2 24-05-1995			
			ES 2268271 T3 16-03-2007			
			ES 2202317 T3 01-04-2004			
			JP 3853385 B2 06-12-2006			
			JP 7184938 A 25-07-1995			
			JP 2004275782 A 07-10-2004			
			JP 2004243149 A 02-09-2004			
			JP 2006068555 A 16-03-2006			
			US 2008195048 AI 14-08-2008			
			US 2008167615 AI 10-07-2008			
			US 5681286 A 28-10-1997			
US 5928197 A 27-07-1999						
EP 1704840	A	27-09-2006	AT 383838 T 15-02-2008			
			AU 2006200971 AI 12-10-2006			
			BR PI0601030 A 05-12-2006			
			CA 2538203 AI 25-09-2006			
			JP 2006271972 A 12-10-2006			
			US 2006217740 AI 28-09-2006			