



US00D726918S

(12) **United States Design Patent**
Gnielka et al.

(10) **Patent No.:** **US D726,918 S**

(45) **Date of Patent:** **** Apr. 14, 2015**

(54) **ELECTROMEDICAL APPARATUS**

(71) Applicants: **Katja Gnielka**, Munich (DE); **Kathrin F. Hamilton**, Forchheim (DE); **Patric Heibel**, Moschheim (DE); **Hans-Juergen Mueller**, Pretzfeld (DE); **Stefan Reichelt**, Bamberg (DE)

(72) Inventors: **Katja Gnielka**, Munich (DE); **Kathrin F. Hamilton**, Forchheim (DE); **Patric Heibel**, Moschheim (DE); **Hans-Juergen Mueller**, Pretzfeld (DE); **Stefan Reichelt**, Bamberg (DE)

(73) Assignee: **Siemens Aktiengesellschaft**, Munich (DE)

(**) Term: **14 Years**

(21) Appl. No.: **29/488,015**

(22) Filed: **Apr. 15, 2014**

(30) **Foreign Application Priority Data**

Nov. 12, 2013 (EM) 001389365

(51) **LOC (10) Cl.** **24-01**

(52) **U.S. Cl.**
USPC **D24/158**

(58) **Field of Classification Search**

USPC D24/158-161, 185, 186; 378/4, 15, 17, 378/21, 23-27, 62, 68, 196-198; 600/407, 600/409, 410, 415, 421, 422, 425

See application file for complete search history.

(56) **References Cited**

U.S. PATENT DOCUMENTS

D683,023 S * 5/2013 Andersson et al. D24/158
D683,025 S * 5/2013 Banryu D24/158
D701,309 S * 3/2014 Ohmukai D24/158
D715,945 S * 10/2014 Zhang D24/159
D716,948 S * 11/2014 Yokoyama et al. D24/158

* cited by examiner

Primary Examiner — Anhdao Doan

(74) *Attorney, Agent, or Firm* — Schiff Hardin LLP

(57) **CLAIM**

The ornamental design for an electromedical apparatus, as shown and described.

DESCRIPTION

FIG. 1 is a front elevational view of an electromedical apparatus;
FIG. 2 is a rear elevational view of the electromedical apparatus of FIG. 1;
FIG. 3 is a top plan view of the electromedical apparatus of FIG. 1;
FIG. 4 is a bottom plan view of the electromedical apparatus of FIG. 1;
FIG. 5 is a right side elevational view of the electromedical apparatus of FIG. 1;
FIG. 6 is a left side elevational view of the electromedical apparatus of FIG. 1;
FIG. 7 is a perspective view from a direction between the front and right side of the electromedical apparatus of FIG. 1; and
FIG. 8 is a perspective view from a direction between the rear and left side of the electromedical apparatus of FIG. 1.

1 Claim, 8 Drawing Sheets

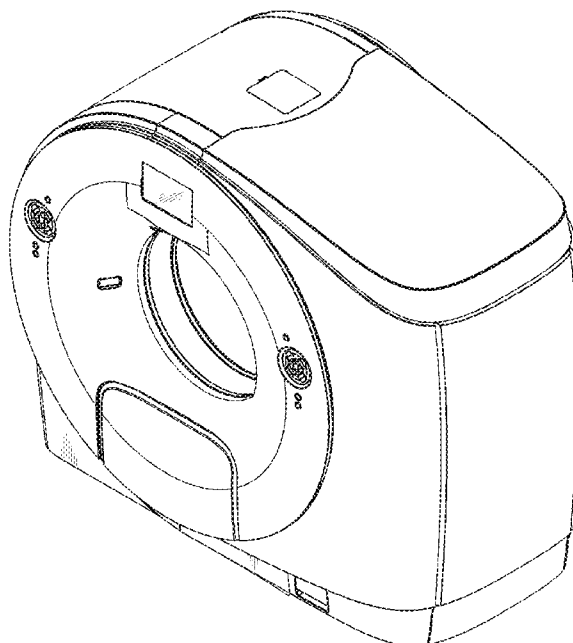


FIG. 1

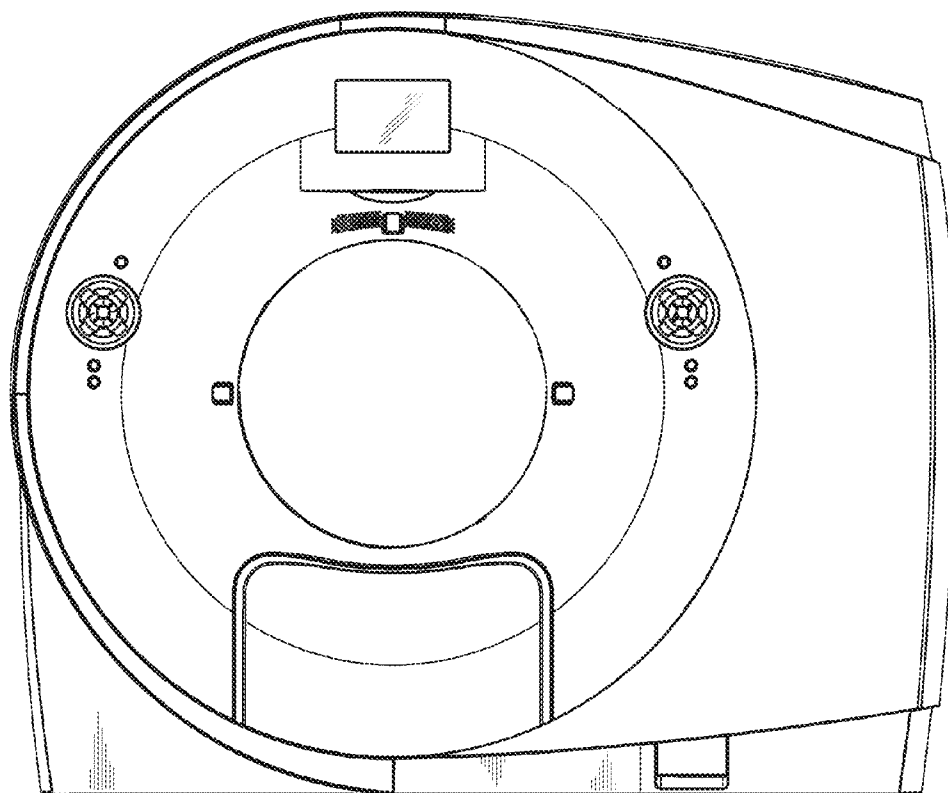


FIG. 2

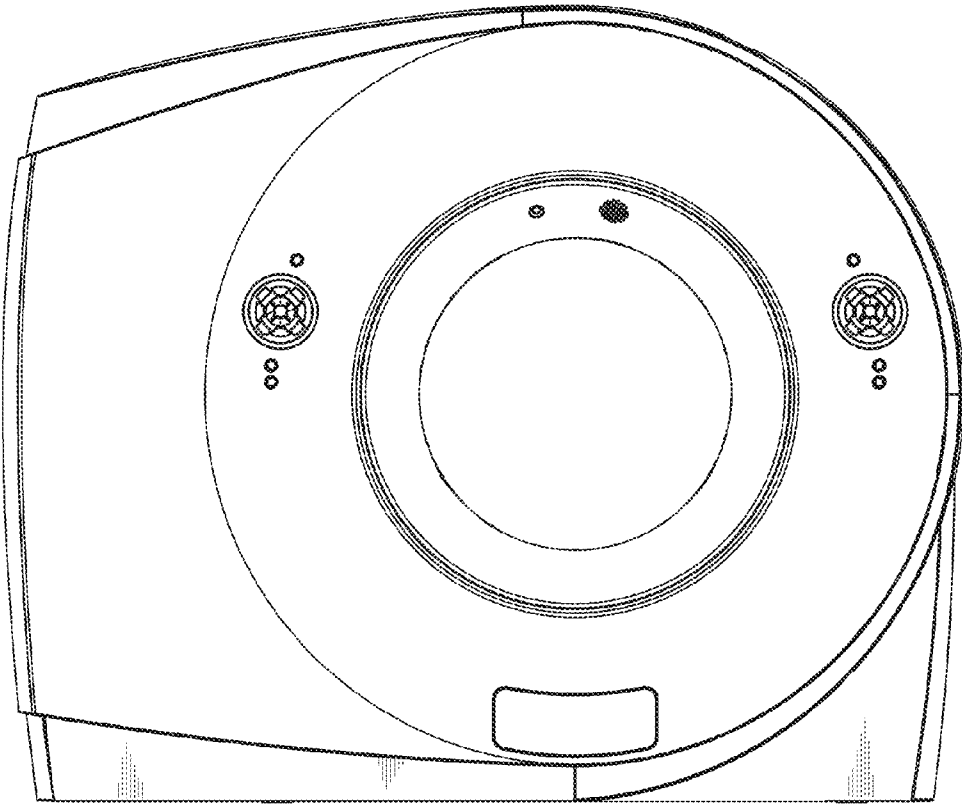


FIG. 3

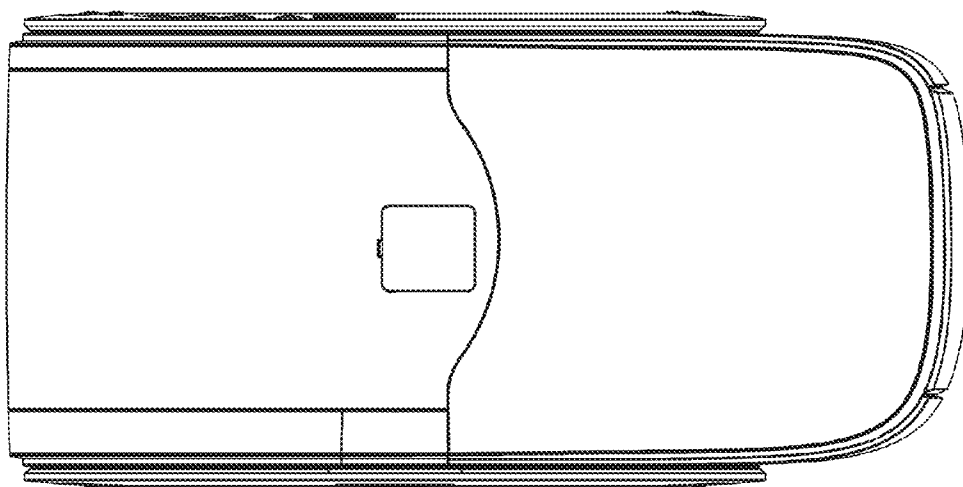


FIG. 4

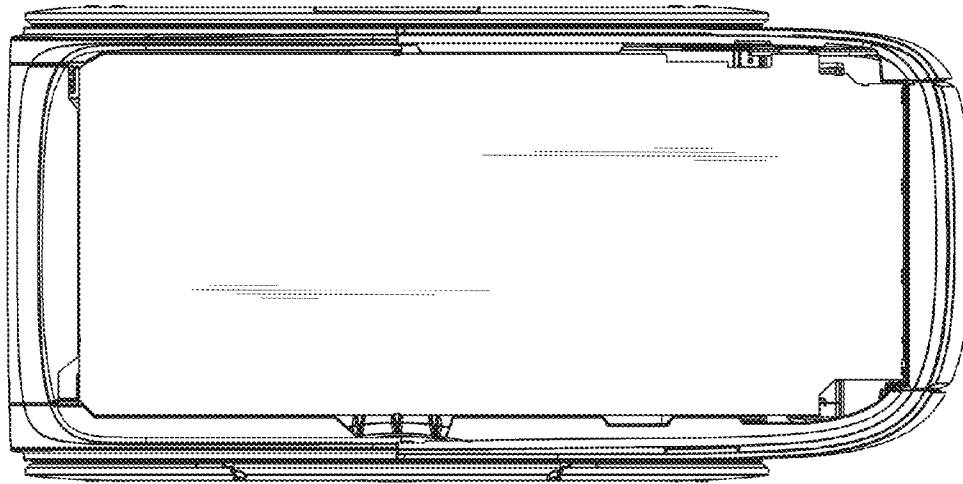


FIG. 5

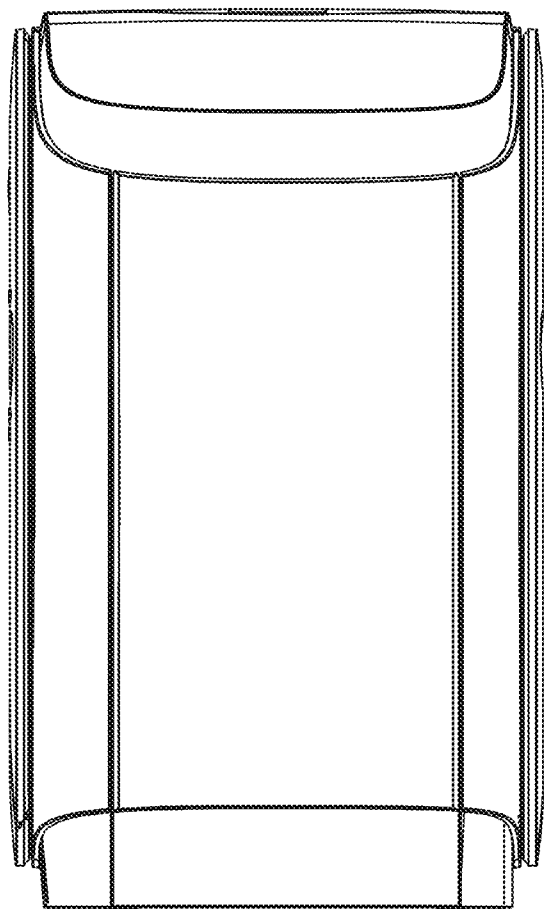


FIG. 6

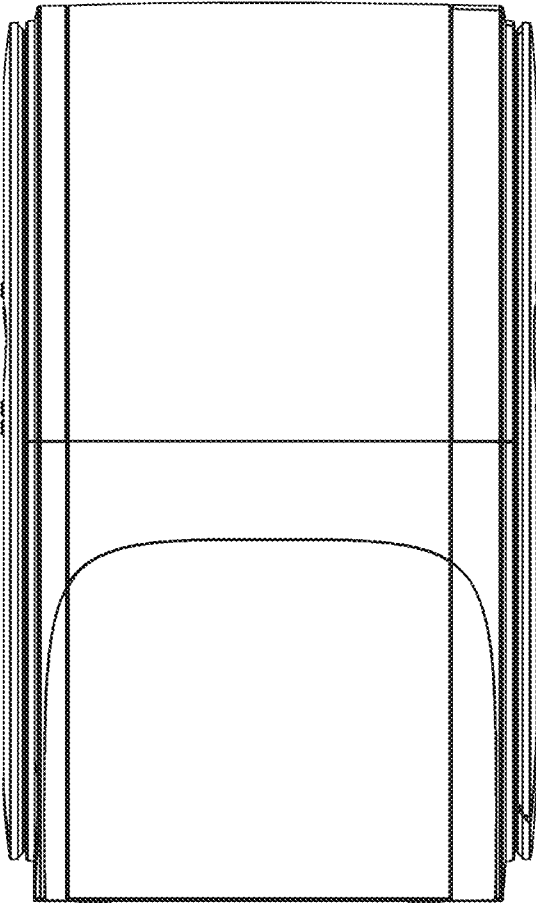


FIG. 7

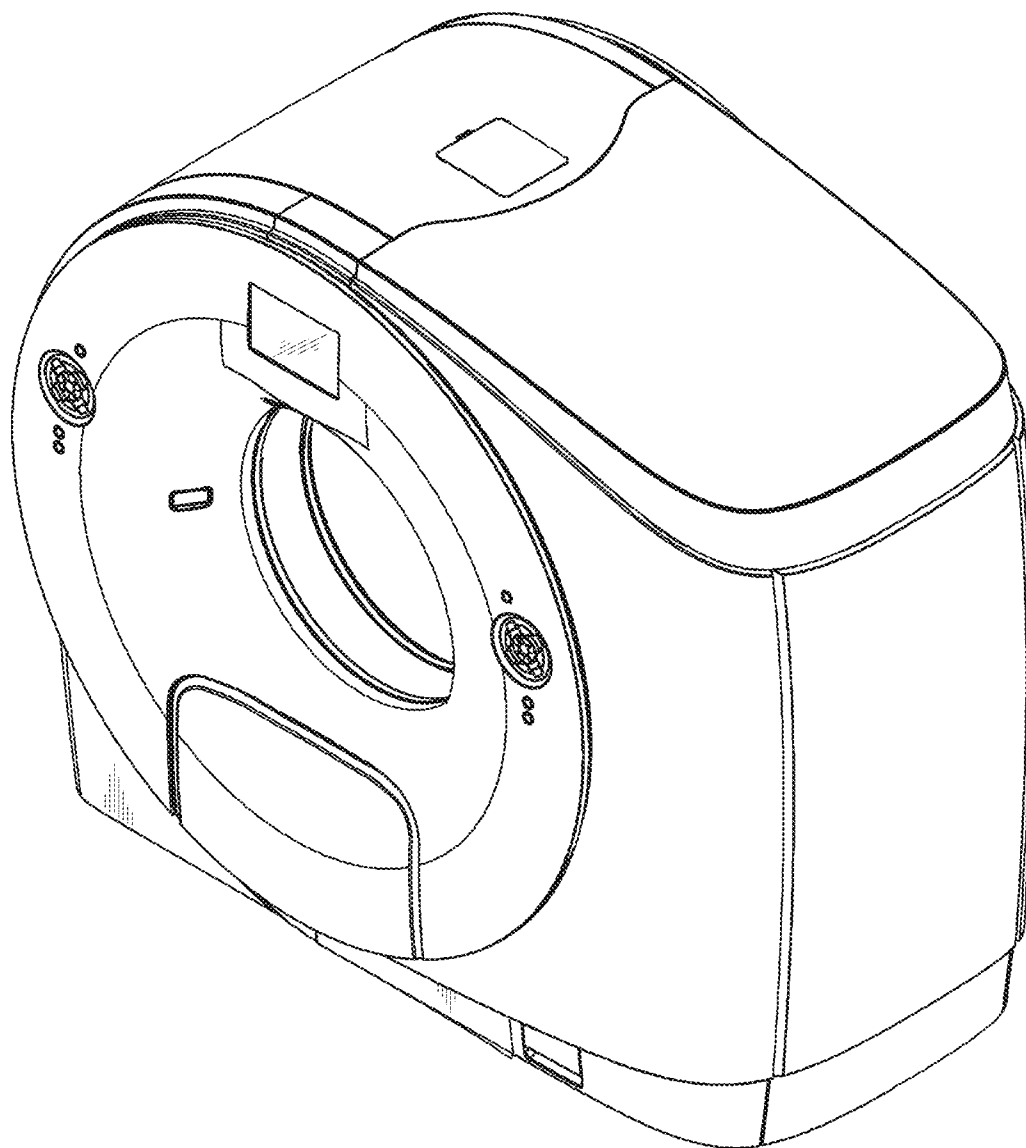


FIG. 8

