



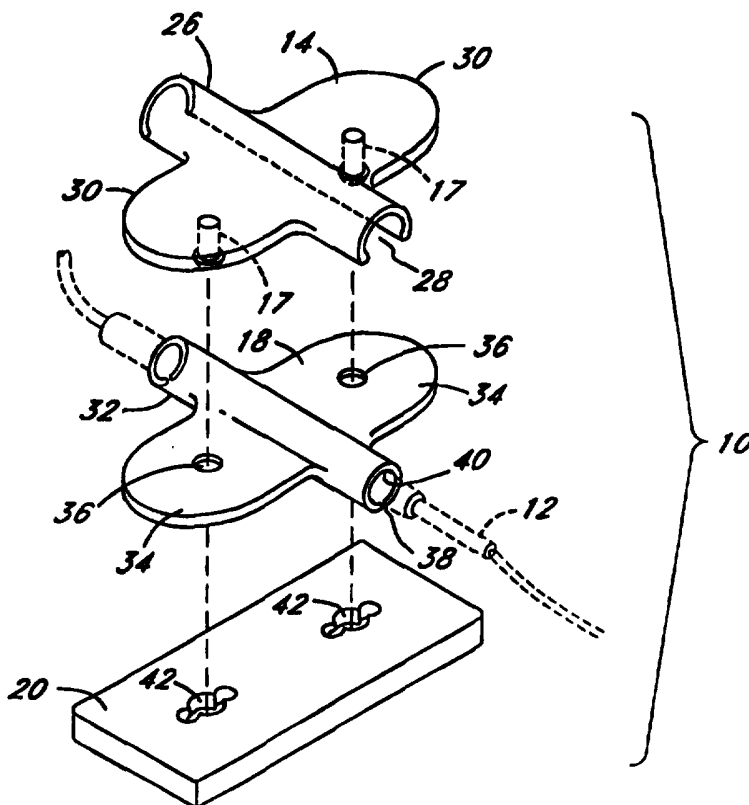
INTERNATIONAL APPLICATION PUBLISHED UNDER THE PATENT COOPERATION TREATY (PCT)

<p>(51) International Patent Classification ⁶ : A61M 25/02</p>	<p>A1</p>	<p>(11) International Publication Number: WO 96/10435 (43) International Publication Date: 11 April 1996 (11.04.96)</p>
<p>(21) International Application Number: PCT/US95/11996 (22) International Filing Date: 21 September 1995 (21.09.95) (30) Priority Data: 08/316,024 30 September 1994 (30.09.94) US (71) Applicant: VENETEC INTERNATIONAL, INC. [US/US]; Suite 550, 1500 Quail, Newport Beach, CA 92660 (US). (72) Inventor: BIERMAN, Steven, F.; 143 8th Street, Del Mar, CA 92014 (US). (74) Agent: SHREVE, William, H.; Knobbe, Martens, Olson and Bear, 16th floor, 620 Newport Center Drive, Newport Beach, CA 92660 (US).</p>		<p>(81) Designated States: AU, CA, CN, JP, European patent (AT, BE, CH, DE, DK, ES, FR, GB, GR, IE, IT, LU, MC, NL, PT, SE). Published With international search report. With amended claims.</p>

(54) Title: CATHETER ANCHORING SYSTEM

(57) Abstract

An anchoring system for a central line catheter or other similar catheter or fluid lines provides convenient installation and release with a minimum of procedures and no pain or discomfort to the patient. The anchoring system includes a self-adhesive anchoring pad for secure mounting on the patient and an associated retainer. The retainer includes slotted openings to receive downwardly extending posts formed on the underside of lateral wings of a box clamp. The ends of the posts can be easily inserted into a large diameter central opening of the retainer holes and then slid horizontally to allow frictional or snap fit engagement and retention between the necks of the posts and the lateral slots or holes formed in the retainer. In this position, the ends of the posts are captured within the retainer and beneath the lateral slots, and the box clamp and retainer thus are releasably locked together. The opposite sequence is followed for removal of the box clamp and catheter combination. A soft, pliable wing clamp also can be used in connection with the box clamp to retain the catheter and/or associated tubing within the box clamp.



FOR THE PURPOSES OF INFORMATION ONLY

Codes used to identify States party to the PCT on the front pages of pamphlets publishing international applications under the PCT.

AT	Austria	GB	United Kingdom	MR	Mauritania
AU	Australia	GE	Georgia	MW	Malawi
BB	Barbados	GN	Guinea	NE	Niger
BE	Belgium	GR	Greece	NL	Netherlands
BF	Burkina Faso	HU	Hungary	NO	Norway
BG	Bulgaria	IE	Ireland	NZ	New Zealand
BJ	Benin	IT	Italy	PL	Poland
BR	Brazil	JP	Japan	PT	Portugal
BY	Belarus	KE	Kenya	RO	Romania
CA	Canada	KG	Kyrgystan	RU	Russian Federation
CF	Central African Republic	KP	Democratic People's Republic of Korea	SD	Sudan
CG	Congo	KR	Republic of Korea	SE	Sweden
CH	Switzerland	KZ	Kazakhstan	SI	Slovenia
CI	Côte d'Ivoire	LI	Liechtenstein	SK	Slovakia
CM	Cameroon	LU	Luxembourg	SN	Senegal
CN	China	LV	Larvia	TD	Chad
CS	Czechoslovakia	MC	Monaco	TG	Togo
CZ	Czech Republic	MD	Republic of Moldova	TJ	Tajikistan
DE	Germany	MG	Madagascar	TT	Trinidad and Tobago
DK	Denmark	ML	Mali	UA	Ukraine
ES	Spain	MN	Mongolia	US	United States of America
FI	Finland			UZ	Uzbekistan
FR	France			VN	Viet Nam
GA	Gabon				

CATHETER ANCHORING SYSTEM**Background of the Invention****Field of the Invention**

The present invention relates to a catheterization system, and more particularly to an anchoring system for
5 catheters and/or associated fluid supply or drainage lines.

Description of the Related Art

It is very common in the treatment of patients to utilize intravenous (IV) catheters to introduce fluids and
medications directly into the bloodstream. In many cases, and particularly with respect to cardiac therapy, the IV
catheter is introduced into a central venous line or a larger vein located close to the patient's heart. For example,
10 a typical catheter utilized in connection with a central line is referred to as a "central venous catheter" ("CVC"),
while a venous catheter peripherally inserted into the heart through a vein in the arm is sometimes referred to as
a "peripherally inserted central catheter" ("PICC").

In these cases, long-term IV infusion typically requires that the catheter remain in place for many days.
In order to secure such a central line IV catheter in position at the insertion site of the catheter, the IV tubing and/or
15 CVC is commonly surrounded by a thin, winged, flexible pad or seat, which is then sutured to the patient's skin.
In other applications, the thin, winged, flexible pad is covered by a more rigid clamp, which provides a friction fit
for the catheter/pad combination. The rigid clamp and the flexible pad have lateral, aligned holes in them which
allow the combination to be sutured to the patient's skin. Although this technique provides secure installation of
the central line catheter, it obviously is painful and uncomfortable for the patient. This prior retention procedure also
20 is time consuming and inconvenient, and poses the risk of needle-stick to the nurse or other medical professional.

In U.S. Patent No. 5,192,274 ("the '274 patent), the present Applicant describes an anchoring system
which provides for the convenient and pain-free installation of a central line catheter. Applicant hereby incorporates
the '274 patent by reference. The anchoring system of the '274 patent includes an anchor pad which has an
adhesive bottom surface that attaches to the patient's skin. Two posts on the pad slidable receive a conventional
25 catheter seat or box clamp to secure the seat to the pad, but prevent disengagement of the seat from the pad. The
posts are snipped or cut in order to remove the catheter.

Summary of the Invention

In addition to incorporating the advantages of the anchoring system of the '274 patent, the anchoring
system of the present invention also provides for releasible retention of the catheter and/or associated fluid line.
30 That is, the present anchoring system releasible retains the catheter and/or fluid tubing to patient's skin in a manner
which allows for convenient release and reattachment of the catheter or fluid line to the patient.

Thus, in accordance with one aspect of the present invention, an anchoring system for securing a
catheterization device to the body of a patient is provided. The anchoring system includes a clamp which is
configured to releasably engage a portion of the catheterization device. A retainer is connected to an adhesive layer
35 for secure attachment to the body of the patient. The clamp and retainer including corresponding coupling structure
which releasably engage to secure the clamp to the retainer.

In a preferred embodiment, the anchoring system is a multilevel system compatible with current venous catheter and retention systems. The anchoring system utilizes a soft split wing clamp, similar to one having present usage, as well as an overlying rigid box clamp. The box clamp engages the wing clamp from above and snaps on a portion of the central line catheter. However, unlike prior box clamps, the box clamp of the present invention includes one or more downwardly extending posts which are insertable into corresponding slotted holes within the retainer. The downwardly extending posts, in cooperation with the slotted holes of the retainer, provide an important advantage in connection with the convenient installation and easy release of central line catheters.

The retainer having the slotted holes is in turn secured on a self-adhesive foam anchor pad which can be easily and painlessly mounted on the skin of the patient by means of the self-adhesive backing. The retainer is mounted on this anchor pad by means of cyanoacrylate, or other bonding materials.

The slotted holes of the retainer correspond in number and location to the posts on the box clamp. Each post desirably includes a large diameter head or tip and a narrow neck or shank. The post tip is somewhat pointed or rounded in order to guide its insertion into the slotted holes, and the smaller diameter neck or shank mounts the tip to the underside of the box clamp. Each corresponding slotted hole in the retainer is formed by at least a larger diameter central hole and smaller diameter lateral, slot or hole. The diameter of the central hole is sufficient to receive the tip of the post, while the diameter of the lateral slots or holes provides a friction or snap fit with respect to the neck or shank of the posts. Thus, the retainer provides retention for the box clamp (and, in turn for the wing clamp and catheter), by freely receiving the end of each post, and then providing friction or snap fit engagement between the neck of the post and the lateral slots or holes. With the neck of the post positioned within the lateral slot or hole, the head of the post is captured within the retainer, beneath the slot, to releasably secure the box clamp to the retainer.

In use, the central line catheter is first inserted in accordance with standard procedure. The self-adhesive anchor pad is then adhered to the skin of the patient in such a manner so that its narrow neck region lies under the catheter and near the point of insertion. The soft split wing clamp is then placed over the shank of the catheter so that its longitudinal split is stretched and engages the catheter. The rigid box clamp is then snapped in place over the top of the wing clamp and the catheter shank in conventional fashion, such that a longitudinal groove formed in the box clamp engages the combination of the catheter and the wing clamp in a snap fit or friction fit engagement. The box clamp combination, including the wing clamp and catheter, is then aligned downwardly over the retainer such that the posts are aligned with the central slotted holes in the top surface thereof. These holes freely receive the posts as initial insertion occurs. Upon lateral movement of the box clamp, the neck of each post engages the lateral slots or holes of the retainer in a snap fit or friction fit engagement. This engagement then provides easy and convenient installation for the anchoring system.

During this installation process, the foam anchor pad serves to avoid any pain or discomfort to the patient by absorbing the downward force accompanying such installation. However, it should be noted that such force need only be very slight, as there is no resistance to initial insertion of the tip of the post into the central holes in the

retainer. Firm force is required in only a lateral direction in order to secure the post to the lateral slots, such lateral movement being less painful for the patient.

In order to remove the catheter for replacement, cleaning, and the like, the opposite procedure is followed. The box clamp is simply moved laterally so that the neck of the post disengages the lateral hole or slot. The box clamp can then be easily lifted upward and removed from the retainer so that the tip of the post exits the central hole in the retainer.

Accordingly, the present invention provides secure anchoring, as well as convenient removal.

In accordance with another aspect of the present invention, an anchoring system is provided for securing a catheterization device to the body of a patient. The anchoring system includes an anchor pad having an adhesive layer for secure attachment to the body of the patient. A retainer is attached to the pad, and a clamp is configured to releasably engage a portion of the catheterization device. A coupling releasably interconnects the clamp to the retainer. The coupling includes at least one post and at least one slotted hole. The slotted hole receiving the post in a first position, and the post is movable from the first position to a second position within the hole. The coupling interconnects the retainer and clamp with the post in the second position.

An additional aspect of the present invention involves an anchoring system for securing a medical device to the body of a patient. The medical device includes a cylindrical portion. The anchoring system comprises a clamp configured to releasably engage the cylindrical portion of the medical device and a retainer connected to an adhesive layer. The clamp and retainer comprise corresponding first and second members which releasably interconnect to couple together the clamp and retainer. The first member is movable relative to the second member in a direction generally parallel to the adhesive layer from a first position in which the first and second members are disengaged to a second position in which the first and second members are engaged.

In accordance with a preferred method of attaching a catheterization device to a body of a patient, a retainer, which is coupled to an adhesive member, is provided. The retainer is attached to the body by placing the adhesive member on the body. A clamp, which also is provided, is engaged with a portion of the catheterization device. The retainer and clamp are then connected together in a releasable manner. The clamp is release from the retainer in a manner which permits the clamp to be later reconnected to the retainer.

Brief Description of the Drawings

These and other features of the invention will now be described with reference to the drawings of a preferred embodiment which is intended to illustrate and not to limit the invention, and in which:

Figure 1 is a perspective view of the central line catheter anchoring system of the present invention shown in use in connection with the central line catheter;

Figure 2 is an exploded perspective view illustrating certain elements of the anchoring system of the present invention;

Figure 3 is a bottom plan view of a wing clamp utilized in connection with the present anchoring system;

Figure 4 is an elevational end view of the wing clamp of Figure 3;

Figure 5 is a bottom plan view of the box clamp of the present anchoring system illustrating the longitudinal groove for receiving the central line catheter and the downwardly extending posts mounted on the lateral wings of the box clamp;

5 Figure 6 is an elevational end view of the box clamp of Figure 5 illustrating the lateral, downwardly extending mounting posts;

Figure 7 is a cross-sectional view of the retainer or anchor base of the present anchoring system illustrating the slotted holes formed in the top surface of the retainer and the relief there below to receive the posts of the box clamp;

Figure 8 is an elevational end view of the anchoring system of Figure 1; and

10 Figure 9 is an exploded perspective view of an anchoring system in accordance with another preferred embodiment of the present invention.

Detailed Description of the Preferred Embodiments

Figure 1 illustrates an anchoring system 10 which is configured in accordance with a preferred embodiment of the present invention and is used in connection with a central line catheter 12. It is understood, however, that
15 the anchoring system of the present invention also can be successfully utilized in connection with other types of catheters and catheterization devices utilized in a variety of different applications (e.g., arterial, intravenous, epidural, etc.), as well as with electrical wires or cables connected to external or implanted electronic devices or sensors. Thus, as used herein, the term "catheterization device" is meant generically to include catheters, fluid supply and drainage lines, connectors, adaptors, electrical wires and cables, and the like, all of which may be retained by the
20 present anchoring system. It therefore should be understood that the principles of the present invention are not limited to central line catheters or peripherally inserted central catheters.

Figure 1 illustrates the catheter 12 being anchored in position by an overlying box clamp 14 of the anchoring system 10. The box clamp 14 overlies and engages a soft wing clamp 18 which surrounds a portion of the catheter 12. The box clamp 14 and the wing clamp 18, which have similar configurations, engage an anchor
25 base or retainer 20 which underlies the catheter 12. The retainer 20 in turn is mounted on an anchor pad 22 which is attached directly to the skin 24 of the patient by means of a self-adhesive backing (not shown). Thus, by means of cooperation between the box clamp 14 and the retainer 20, as described below in more detail, the catheter 12 may be conveniently and painlessly anchored to and released from the patient's skin.

Figure 2 illustrates the retainer 20 and clamp components of the present anchoring system 10. The box
30 clamp 14, shown in the upper portion of Figure 2, is a relatively small, wing-shaped device having a configuration similar to that of conventional box clamps in common usage today. The box clamp 14 includes a central elongate body 26 having a longitudinal groove 28 formed therein and a pair of lateral wings 30 extending transversely from the body 26. The longitudinal groove 28 (as best seen in Figures 2, 5 and 6) is generally U-shaped and is sized to receive the body of the catheter 12 and/or the associated fluid line, and more preferably is sized to receive the wing
35 clamp 18 which surrounds a portion of the catheter 12 and/or the associated line. At least one end, and preferably at both ends of the longitudinal groove 28, the body 26 of the box clamp 14 narrows the opening of the longitudinal

groove 28. That is, the longitudinal groove 28 at either end extends through an arc, which is greater than 180 degrees about an axis of the longitudinal groove 28, so as to retain the wing clamp 18 within the body 26 of the box clamp 14. The groove 28 also can have a uniform cross section along its length so that the wall of the entire groove 28 extends through an arc greater than 180°.

5 The box clamp 14 is constructed of a substantially rigid plastic material, such as, for example, a polymer plastic material.

 Figures 5 and 6 illustrate the box clamp 14 in greater detail, including the downwardly extending posts 17, shown best in Figure 6. Each post comprises a tip or head 44 and a neck or shank 46 which connects the tip 44 to the underside of the lateral wings 30 of the box clamp 14. At least a portion of the tip 44 is larger than the diameter of the shank 46. In the illustrated embodiment, the tip 44 generally has a hemispherical shape; however,
10 it is understood that other shapes, such as barbs, spheres, mushroom-shaped heads, and other types of radically projecting structures can be used as well. The tip 44 also is larger than the diameter of the lateral hole 42b. These posts 17 are aligned with the holes 36 in the wing clamp 18, although such posts can have other locations and configurations other than those shown and described herein to provide snap fit or friction fit engagement.

15 With reference to Figures 2-4, the wing clamp 18 has a configuration similar to that of the box clamp 14, including a central elongate body 32 and lateral wings 34 with holes 36 passing therethrough. The wing clamp 18 is constructed from a soft, pliable or flexible material such as, for example, Latex or the like. The body 32 generally has a tubular shape with an inner lumen 40 sized to surround a portion of the catheter body 12. The central elongate body 32 includes a slit 38 along its underside which can be expanded due to the pliable nature of the wing
20 clamp 18. Thus, the wing clamp 18 is capable of surrounding and engaging longitudinally a portion of the catheter 12 to provide a secure means for engaging and retaining the catheter 12 in place.

 Figures 3 and 4 illustrate in greater detail the split or grooved wing clamp 18 used in connection with the present invention. The central elongate body 32 is shown with a groove or split 38 formed longitudinally therein to provide a central longitudinal opening 40 to receive a portion of the catheter 12. The lateral wings 34 of the
25 wing clamp 18, due to its soft, flexible construction, can be manually stretched in opposite directions to enlarge the width of the central split or groove 38 in the wing clamp, thereby providing a large enough central longitudinal opening 40 to engage a portion of the catheter 12.

 As seen in Figures 1 and 8, the combination of catheter 12 and wing clamp 18 is inserted by friction fit into the longitudinal groove 28 formed in the central body 26 of the box clamp 14, as described and illustrated below
30 in more detail. The pliable nature of the wing clamp 18 allows it to be forced through the narrowed opening portions of the longitudinal groove 28. Once positioned within the groove 28, the compressed portions of the wing clamp 18 expand to form a friction fit with the wall of the groove 28.

 The holes 36 in the lateral wings 34 of the wing clamp 18 desirably are aligned with the downwardly extending posts 17 on the box clamp 14. It is understood that although the anchoring system 10 of the present
35 invention is compatible with present winged retention systems which utilize two lateral, aligned suture holes in both the box clamp and the wing clamp, no particular limitation on the present invention should be intended or implied,

since its principles are equally applicable to other retention devices of other configurations which include one or more mounting posts.

Figure 2 further illustrates the retainer 20 of the anchoring system 10. The retainer 20 includes at least one and preferably a plurality of slotted holes 42 formed in the top surface thereof. These holes 42 are also in alignment with the holes 36 in the lateral wings 34 of the wing clamp 18 and the downwardly extending posts 17 of the box clamp 14. Each slotted hole 42 is formed by a central circular opening 42a, with at least one lateral slot or hole 42b extending to one side. In the illustrated embodiment, each slotted hole 42 includes a central opening 42a with lateral holes 42b extending to either side. As will be explained in more detail below, these slotted holes 42 receive the downwardly extending posts 17 of the box clamp 14 to provide releasable retention for the catheter 12.

Figure 7 is a cross-sectional view of the retainer or anchor base 20 of the present invention and illustrates the slotted openings 42 formed on the upper surface thereof. Thus, within the retainer 20 and below each opening 42 there is found a hollow space 48 for receiving the tip 44 of the downwardly extending posts 17 of the box clamp 14. This space 48 also accommodates the lateral movement of the box clamp 14 in order to provide engagement between the neck 46 of each post 17 and one of the slots or holes 42b formed laterally with respect to the upper retainer hole 42a. In this manner, the tip 44 of each post 17 is captured within the hollow space 48 below each slot 42b. The post 17 cannot be pulled out of the hole 42 because the rear side of the tip 44 contacts the portion of the retainer 20 adjacent the slot 42b.

With reference to Figures 1 and 8, the retainer 20 desirably is secured to the anchor pad 22 by means of cyanoacrylate, or other bonding material. The flexible anchor pad 22 comprises a laminate structure formed by an upper paper or other woven or non-woven cloth layer, an inner cellulose foam layer, and a bottom adhesive layer. Alternatively, the flexible anchor pad 22 may comprise an adhesive bottom layer and an upper cellulose foam layer. An upper surface of the foam layer is roughened by corona treating the foam with a low electric charge, as known in the art. The roughened or porous upper surface of the anchor pad 22 improves cyanoacrylate (other types of adhesive or bonding materials) adhesion when attaching the retainer 20 to the anchor pad 22.

A removable paper or plastic backing (not shown) desirably covers the bottom adhesive surface before use. The backing preferably resists tearing and is divided into a plurality of pieces to ease attachment of the pad to the patient's skin. Desirably, the backing is split along a center line of the flexible anchor pad 22 in order to expose only half of the adhesive bottom surface at one time. The backing also advantageously extends beyond at least one edge of the anchor pad 22 to ease removal of the backing from the adhesive layer.

In the illustrated embodiment, the anchor pad 22 includes a pair of opposing concave sections which narrows the center of the anchor pad proximate to the retainer 22. As a result, the peripheral ends of the anchor pad 22 have more contact area to provide greater stability and adhesion to the patient's skin.

Figure 8 illustrates the complete assembly of the anchoring system 10 of the present invention, including the self-adhesive foam pad 22, the retainer 20 secured to the upper foam surface of the anchor pad 22, and the catheter 12 which is retained in place by the engagement of the posts 17 of the box clamp 14 with the slotted

-7-

holes 42 of the retainer 20. The wing clamp 18, which is sandwiched between the box clamp 14 and the catheter 12, as shown in Figure 8, provides secure retention for the catheter 12 within the snap fit groove 28 of the box clamp 14.

In operation, the self-adhesive anchor pad 22 is applied to the skin 24 of the patient in the vicinity of the catheter insertion site. The anchor pad 22 should be mounted on the patient so that the retainer 20 is transverse to the catheter 12 and lies directly under it. The wing clamp 18 is then stretched and fit over the catheter 12, as in standard practice, and the downwardly extending posts 17 of the box clamp 14 are inserted through the holes 36 in the wings 34 of the wing clamp 18. The combination wing clamp/catheter is then snap fit into the longitudinal groove 28 of the box clamp 14 to form a secure engagement of those three elements. The posts 17 of the box clamp 14 are then aligned with the slotted openings 42 on the top surface of the retainer 20 such that the tip 44 of each post 17 passes through the corresponding large diameter hole 42a in the retainer 20. This engagement should be relatively easy so that downward force is not necessary, thereby avoiding pain or discomfort to the patient. Alternatively, the wing and box clamps 18, 14 may first engage the retainer 20, and subsequently the pad 22 may be affixed to the patient.

Once the tips 44 of the posts 17 have cleared the larger diameter opening 42a in the upper surface of the retainer 20 and have entered the hollow 48 there below (as shown in Figures 7 and 8), the box clamp 14 is slid laterally left or right so that the neck 46 of each post 17 slides into the lateral slots 42b of the retainer holes 42. The openings to each slots 42b desirably are sized so as to be slightly smaller than the diameter of the post necks 46, and they thereby provide a friction or snap fit engagement with the posts 17. This engagement serves to retain the box clamp combination securely in place within the retainer 20.

When removal becomes necessary, the box clamp 14 simply is slid horizontally in the opposite direction so that the tips 44 of the posts 17 are once again aligned with the larger diameter holes 42a, whereupon the box clamp combination can be easily removed vertically from the retainer 20 to allow the changing or cleaning of the catheter 12.

Thus, no painful or time-consuming sutures or other extensive removal procedures involving sharp instruments (e.g., scissors) are necessary with the anchoring system of the present invention. In addition, the anchor pad 22 absorbs any forces which are incurred in the installation or removal of the anchoring system and the catheter 12, thereby providing greater comfort for the patient.

Although this invention has been described in terms of a certain preferred embodiment, other embodiments apparent to those of ordinary skill in the art are also within the scope of this invention. For instance, as seen in Figure 9, it is appreciated that the retainer could include the post and the wings of the box clamp could define slotted holes which receive the corresponding posts. It also is understood that other types of known coupling mechanisms could be used as well to releasably secure the box clamp to the retainer. Accordingly, the scope of this invention is intended to be defined only by the claims which follow.

WHAT IS CLAIMED IS:

1. An anchoring system for securing a medical device to the body of a patient, said medical device including a cylindrical portion, said anchoring system comprising a clamp configured to releasably engage the cylindrical portion of the medical device and a retainer connected to an adhesive layer, said clamp and retainer comprising corresponding first and second members which releasably interconnect to couple together said clamp and retainer, said first member being movable relative to said second member in a direction generally parallel to said adhesive layer from a first position in which said first and second members are disengaged to a second position in which said first and second members are engaged.
2. The anchoring system of Claim 1, wherein said first member comprises a post with a flared end, and second member comprises a hole which receives said post, said hole having at least one portion which is larger than said flared end of said post, and another portion which is smaller than said flared end of said post.
3. The anchoring system of Claim 2, wherein said retainer defines said hole and said post extends from said clamp.
4. The anchoring system of Claim 2, wherein said clamp defines said hole and said post extends from said retainer.
5. The anchoring system of Claim 2, wherein said clamp is adapted to engage a fluid tube of the medical device.
6. The anchoring system of Claim 2, wherein said post is movable from said first position to said second position when inserted into said hole.
7. The anchoring system of Claim 2, wherein said first member comprises a second post and said second member comprises a corresponding second hole which receives said second post.
8. An anchoring system for securing a catheterization device to the body of a patient, said anchoring system comprising a clamp configured to releasably engage a portion of the catheterization device, and a retainer connected to an adhesive layer for secure attachment to the body of the patient, said clamp and retainer including corresponding coupling structure which releasably engage to secure said clamp to said retainer, said coupling structure comprising at least one hole which receives a corresponding post, said post includes a flared end which has a size larger than at least a portion of said hole said hole having a first opening which is larger than said flared end of said post, and a second opening which is smaller than said flared end of said post.
9. The anchoring system of Claim 8, wherein said retainer defines said hole and said post extends from said clamp.
10. The anchoring system of Claim 9, wherein said clamp defines said hole and said post extends from said retainer.
11. The anchoring system of Claim 8, wherein said post includes a shank which connected to said flared end, said shank being smaller in cross section than said second opening.
12. The anchoring system of Claim 8, wherein said first and second opening are placed adjacent to each other.

13. The anchoring system of Claim 12, wherein said post is configured to be freely inserted into said first opening and is able to be slid from said first opening to said second opening in which position said shank extends through said second opening and said flared head is captured behind said second opening.

14. The anchoring system of Claim 13, wherein an intermediate opening section links said first and second openings together, said intermediate opening having a size slightly smaller than said post shank such that said second opening receives said post shank in a snap fit manner.

15. The anchoring system of Claim 8 additionally comprising a flexible anchor pad, said adhesive layer formed on one side of said anchor pad and said retainer attached to an opposite side of said anchor pad.

16. The anchoring system of Claim 15, wherein said anchor pad has a laminate structure formed by a cellulose foam layer interposed between said adhesive layer and a layer of woven fibers.

17. The anchoring system of Claim 8 additionally comprising an pliable wing clamp configured to surround and engage a portion of the catheterization device, said wing clamp also being configured to engage said clamp.

18. The anchoring system of Claim 17, wherein said clamp includes a groove which receives a portion of said wing clamp.

19. An anchoring system for securing a catheterization device to the body of a patient, said anchoring system comprising:

an anchor pad having an adhesive layer for secure attachment to the body of the patient;

a retainer attached to said pad;

a clamp configured to releasably engage a portion of the catheterization device; and

a coupling to releasably interconnect said clamp and said retainer, said coupling comprising at least one post and at least one slotted hole, said slotted hole receiving said post in a first position and said post being movable from said first position to a second position within said hole, said coupling interconnecting said retainer and clamp with said post in said second position.

20. The anchoring system of Claim 19, wherein said coupling includes a plurality of said posts and a plurality of said slotted holes.

21. The anchoring system of Claim 20, wherein at least one of said posts extends from said clamp and at least one of said slotted holes is defined by said retainer.

22. The anchoring system of Claim 21, wherein at least one of said posts extends from said retainer and at least one of said slotted holes is defined by said clamp.

23. The anchoring system of Claim 22, wherein said clamp comprises a generally rigid element which defines a longitudinal groove and a generally pliable element which is configured to surround and engage a portion of the catheterization device, said pliable element being adapted to snap into said rigid element to secure the catheter within the clamp.

24. A method for attaching a catheterization device to a surface, comprising the steps of:
providing a retainer coupled to an adhesive member;

5 providing a clamp configured to engage a portion of the catheterization device;
 placing said adhesive member on a surface to secure the retainer thereon;
 engaging said clamp with a portion of the catheterization device;
 connecting said clamp to said retainer in a releasable manner; and
 releasing said claim from said retainer in a manner which permits the clamp to be later
reconnected to the retainer.

25. The method of Claim 24, wherein coupling involves inserting a post with a flared end into a slotted
hole at a first position and sliding said post within said slotted hole from said first position to a second position so
as to capture said flared head behind a portion of said hole to prevent said post from pulling out of said slotted hole.

10 26. The method of Claim 24, wherein said post is snapped into said second position from said first
position so as to retain said post in said second position.

27. The method of Claim 26, wherein releasing said clamp from said retainer involves sliding said post
from said second position to said first position and thereafter withdrawing said post from said hole.

AMENDED CLAIMS

[received by the International Bureau on 15 March 1996 (15.03.96);
original claim 24 amended; new claims 28-38 added;
remaining claims unchanged (2 pages)].

providing a clamp configured to engage a portion of the catheterization device; placing said adhesive member on a surface to secure the retainer thereon; engaging said clamp with a portion of the catheterization device; connecting said clamp to said retainer in a releasable manner; and

5 releasing said clamp from said retainer in a manner which permits the clamp to be later reconnected to the retainer.

25. The method of Claim 24, wherein coupling involves inserting a post with a flared end into a slotted hole at a first position and sliding said post within said slotted hole from said first position to a second position so as to capture said flared head behind a portion of said hole to prevent said post from pulling out of said slotted hole.

10 26. The method of Claim 24, wherein said post is snapped into said second position from said first position so as to retain said post in said second position.

27. The method of Claim 26, wherein releasing said clamp from said retainer involves sliding said post from said second position to said first position and thereafter withdrawing said post from said hole.

15 28. An anchoring system for securing a medical device to the body of a patient, the medical device having an elongated portion which defines an axis, said anchoring system comprising a clamp configured to engage the elongated portion of the medical device, and a retainer coupled to an adhesive layer which adheres to the body of the patient, said clamp and retainer having corresponding coupling structures that engage to secure said clamp to said retainer, said coupling structure comprising an aperture having a major diameter lying generally perpendicular to the axis of the elongated portion engaged by the clamp, and a minor diameter lying generally parallel to the axis, said aperture being positioned to receive a corresponding post of said coupling structure, said post having a flared end of a size larger than at least a portion of said aperture.

20 29. The anchoring system of Claim 28, wherein said post includes a shank connected to said flared end, said shank being smaller in cross section than said minor diameter.

25 30. The anchoring system of Claim 29, wherein said shank of said post is configured to slide freely within said aperture along said major diameter with said flared end being captured on one side of said aperture.

31. The anchoring system of Claim 29, wherein said aperture has a first opening which is larger than said flared end of said post, and a second opening which is smaller than said flared end of said post.

30 32. The anchoring system of Claim 31, wherein said shank of said post has a smaller cross-sectional width than a diameter of said second opening.

33. The anchoring system of Claim 31, wherein said first and second openings are placed adjacent to each other.

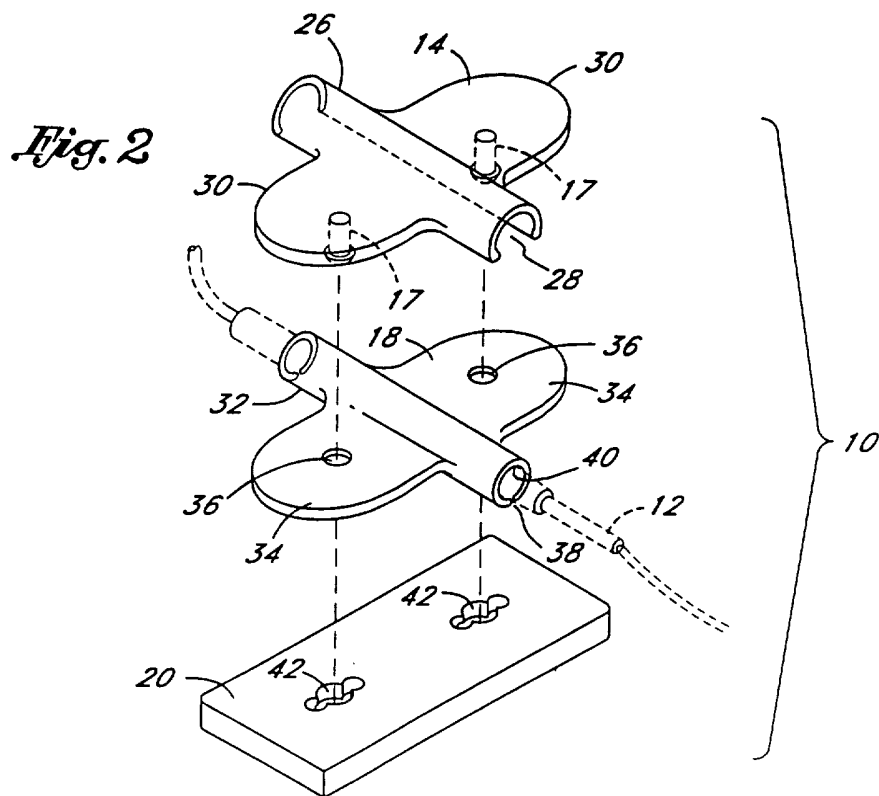
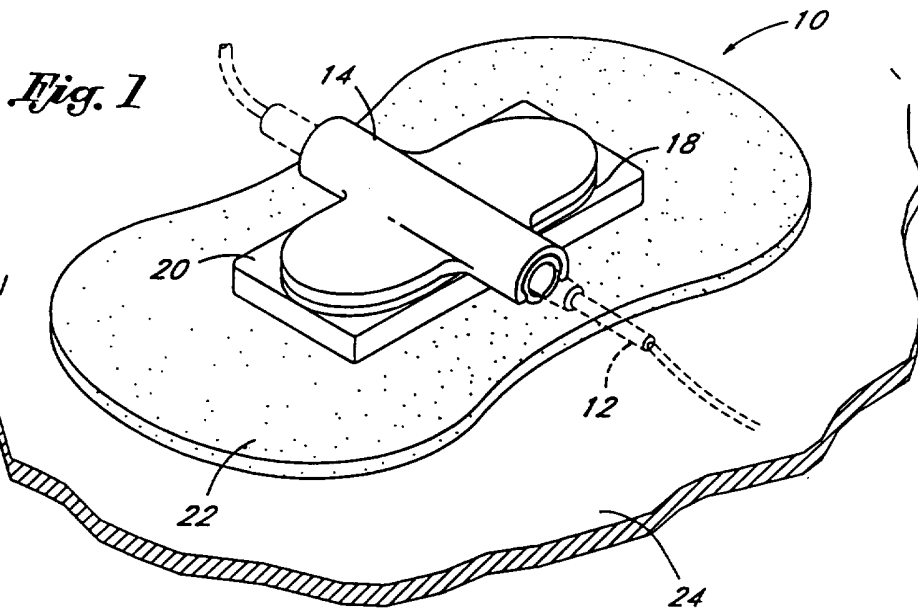
34. The anchoring system of Claim 33, wherein said post is configured to be freely inserted into said first opening and to be slid from said first opening to said second opening in which position said shank extends through said second opening and said flared end is captured behind said second opening.

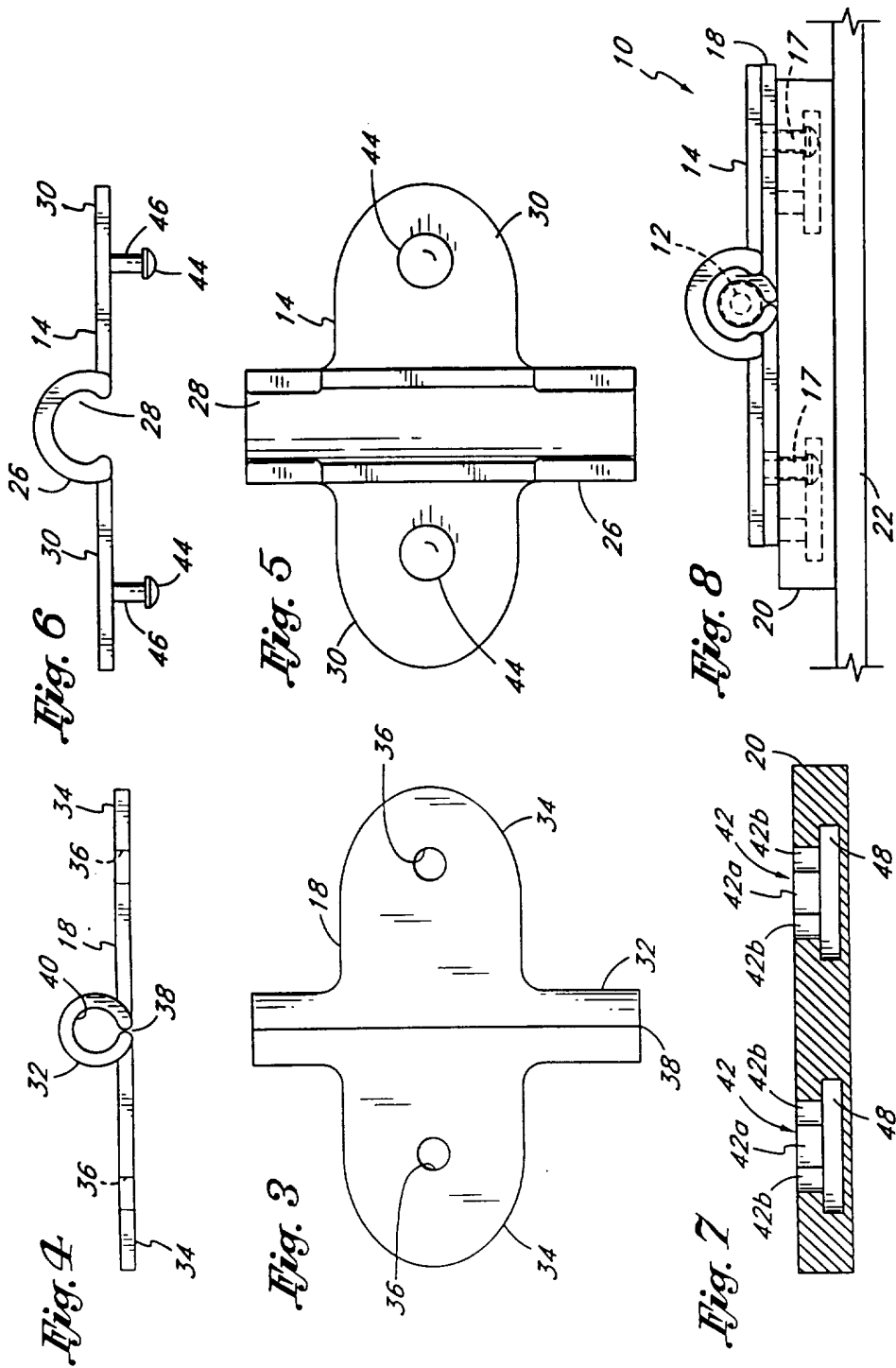
5 35. The anchoring system of Claim 34, wherein an intermediate opening section links said first and second openings together, said intermediate opening having a size slightly smaller than the diameter of said post shank such that said second opening receives said post shank in a snap-fit manner.

36. The anchoring system of Claim 28 additionally comprising a flexible anchor pad to which said adhesive layer is applied on one side of and said retainer is attached on an opposite side.

10 37. The anchoring system of Claim 28 additionally comprising a pliable wing clamp configured to surround and engage a portion of the medical device, said wing clamp also being configured to engage said clamp.

38. The anchoring system of Claim 37, wherein said clamp includes a channel which receives a portion of said wing clamp.





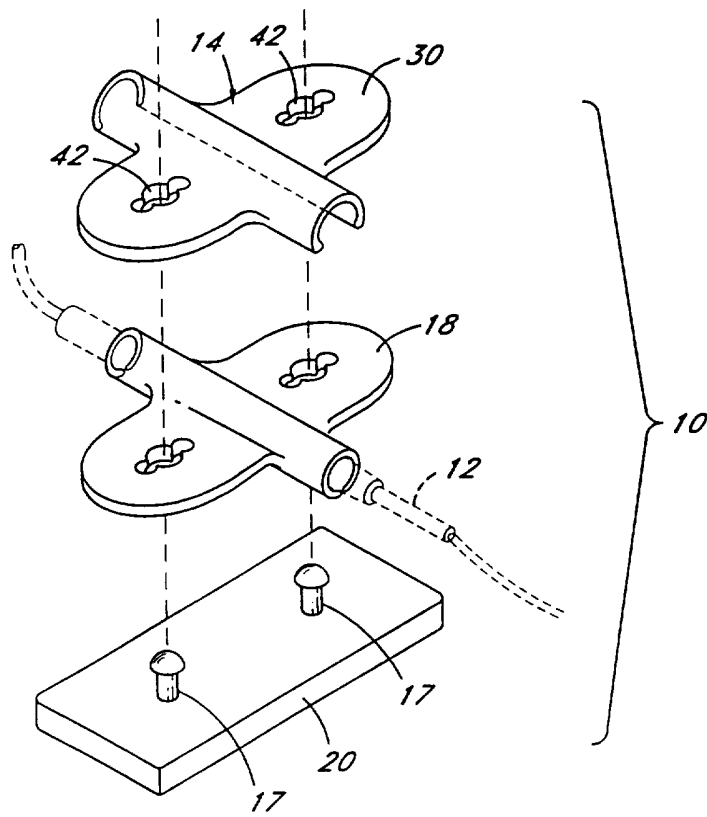


Fig. 9

INTERNATIONAL SEARCH REPORT

International Application No

PC1/US 95/11996

A. CLASSIFICATION OF SUBJECT MATTER IPC 6 A61M25/02		
According to International Patent Classification (IPC) or to both national classification and IPC		
B. FIELDS SEARCHED		
Minimum documentation searched (classification system followed by classification symbols) IPC 6 A61M		
Documentation searched other than minimum documentation to the extent that such documents are included in the fields searched		
Electronic data base consulted during the international search (name of data base and, where practical, search terms used)		
C. DOCUMENTS CONSIDERED TO BE RELEVANT		
Category *	Citation of document, with indication, where appropriate, of the relevant passages	Relevant to claim No.
A	US,A,5 192 274 (BIERMAN) 9 March 1993 cited in the application see abstract; claims 1-7; figures 1,2 ---	1-27
A	WO,A,92 19309 (BIERMAN) 12 November 1992 see abstract; claims 1-8; figures 1,2 -----	1-27
<input type="checkbox"/> Further documents are listed in the continuation of box C.		
<input checked="" type="checkbox"/> Patent family members are listed in annex.		
* Special categories of cited documents :		
'A' document defining the general state of the art which is not considered to be of particular relevance	'T' later document published after the international filing date or priority date and not in conflict with the application but cited to understand the principle or theory underlying the invention	
'E' earlier document but published on or after the international filing date	'X' document of particular relevance; the claimed invention cannot be considered novel or cannot be considered to involve an inventive step when the document is taken alone	
'L' document which may throw doubts on priority claim(s) or which is cited to establish the publication date of another citation or other special reason (as specified)	'Y' document of particular relevance; the claimed invention cannot be considered to involve an inventive step when the document is combined with one or more other such documents, such combination being obvious to a person skilled in the art.	
'O' document referring to an oral disclosure, use, exhibition or other means	'&' document member of the same patent family	
'P' document published prior to the international filing date but later than the priority date claimed		
Date of the actual completion of the international search <p style="text-align: center; font-size: 1.2em;">12 January 1996</p>	Date of mailing of the international search report <p style="text-align: center; font-size: 1.2em;">18. 01. 96</p>	
Name and mailing address of the ISA European Patent Office, P.B. 5818 Patentlaan 2 NL - 2280 HV Rijswijk Tel. (+ 31-70) 340-2040, Tx. 31 651 epo nl, Fax (+ 31-70) 340-3016	Authorized officer <p style="text-align: center; font-size: 1.2em;">Michels, N</p>	

INTERNATIONAL SEARCH REPORT

Information on patent family members

International Application No PCT/US 95/11996
--

Patent document cited in search report	Publication date	Patent family member(s)	Publication date
US-A-5192274	09-03-93	AU-B- 659174	11-05-95
		AU-B- 2027692	21-12-92
		CA-A- 2109333	09-11-92
		EP-A- 0583388	23-02-94
		JP-T- 7500976	02-02-95
		WO-A- 9219309	12-11-92
WO-A-9219309	12-11-92	US-A- 5192274	09-03-93
		AU-B- 659174	11-05-95
		AU-B- 2027692	21-12-92
		CA-A- 2109333	09-11-92
		EP-A- 0583388	23-02-94
		JP-T- 7500976	02-02-95