



US00D723301S

(12) **United States Design Patent**
Callif et al.

(10) **Patent No.:** **US D723,301 S**

(45) **Date of Patent:** **** Mar. 3, 2015**

(54) **HANGING BASKET AND SHELF WITH HOOKS**

(71) Applicant: **Liberty Hardware Mfg. Corp.**,
Winston-Salem, NC (US)

(72) Inventors: **Adam W. Callif**, Chicago, IL (US);
Bridget Soldan, Chicago, IL (US);
Geraint Krumpe, Chicago, IL (US);
Jose Manuel dos Santos, Chicago, IL (US)

(73) Assignee: **Liberty Hardware Mfg. Corp.**,
Winston-Salem, NC (US)

(**) Term: **14 Years**

(21) Appl. No.: **29/492,645**

(22) Filed: **Jun. 2, 2014**

(51) **LOC (10) Cl.** **06-04**

(52) **U.S. Cl.**
USPC **D6/566; D6/524; D6/525; D3/306**

(58) **Field of Classification Search**
USPC **D6/524, 525, 566, 536-537, 540;**
211/13.1, 74, 71.01, 86.01, 75, 88.01,
211/90.01, 90.03, 106, 119, 126.1, 133.5,
211/181.1, 134; D3/306

See application file for complete search history.

(56) **References Cited**

U.S. PATENT DOCUMENTS

D479,663 S * 9/2003 Snell D6/525
D637,850 S * 5/2011 Ghiorghie D6/566
D717,070 S * 11/2014 Callif et al. D6/566
D717,072 S * 11/2014 Callif et al. D6/566

* cited by examiner

Primary Examiner — Brian N Vinson

(74) *Attorney, Agent, or Firm* — Lora J. Graentzdoerffer

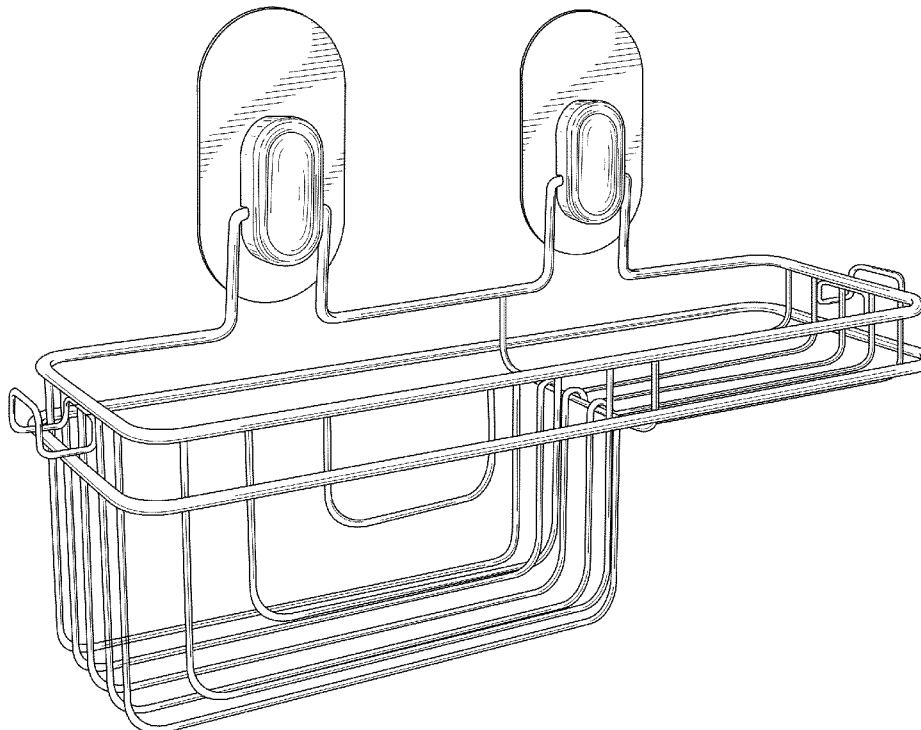
(57) **CLAIM**

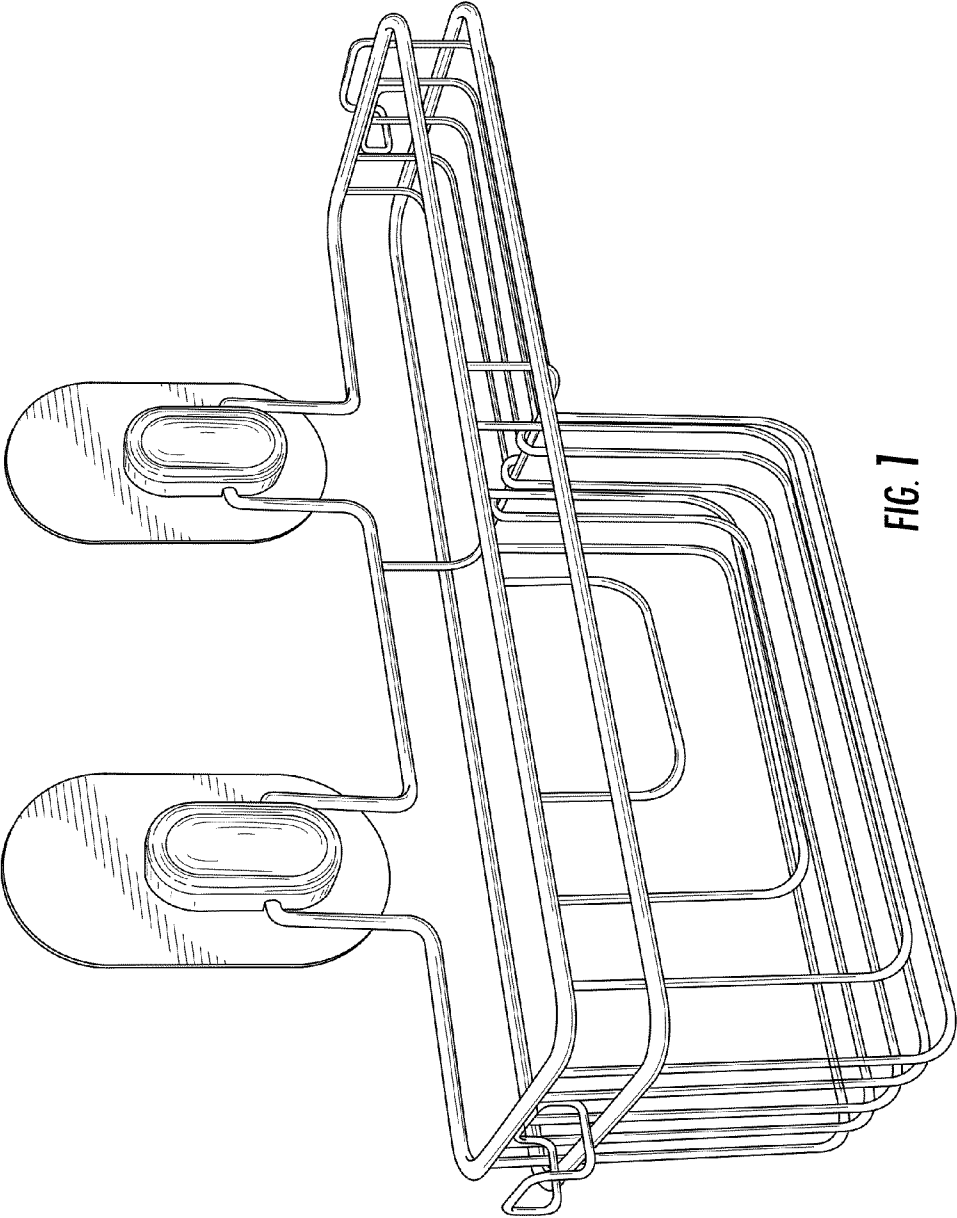
The ornamental design for a hanging basket and shelf with hooks, as shown and described.

DESCRIPTION

FIG. 1 is a perspective view of a hanging basket and shelf with hooks showing our design;
FIG. 2 is a front elevational view;
FIG. 3 is a rear elevational view;
FIG. 4 is a left side elevational view;
FIG. 5 is a right side elevational view;
FIG. 6 is a top plan view; and,
FIG. 7 is a bottom plan view.

1 Claim, 6 Drawing Sheets





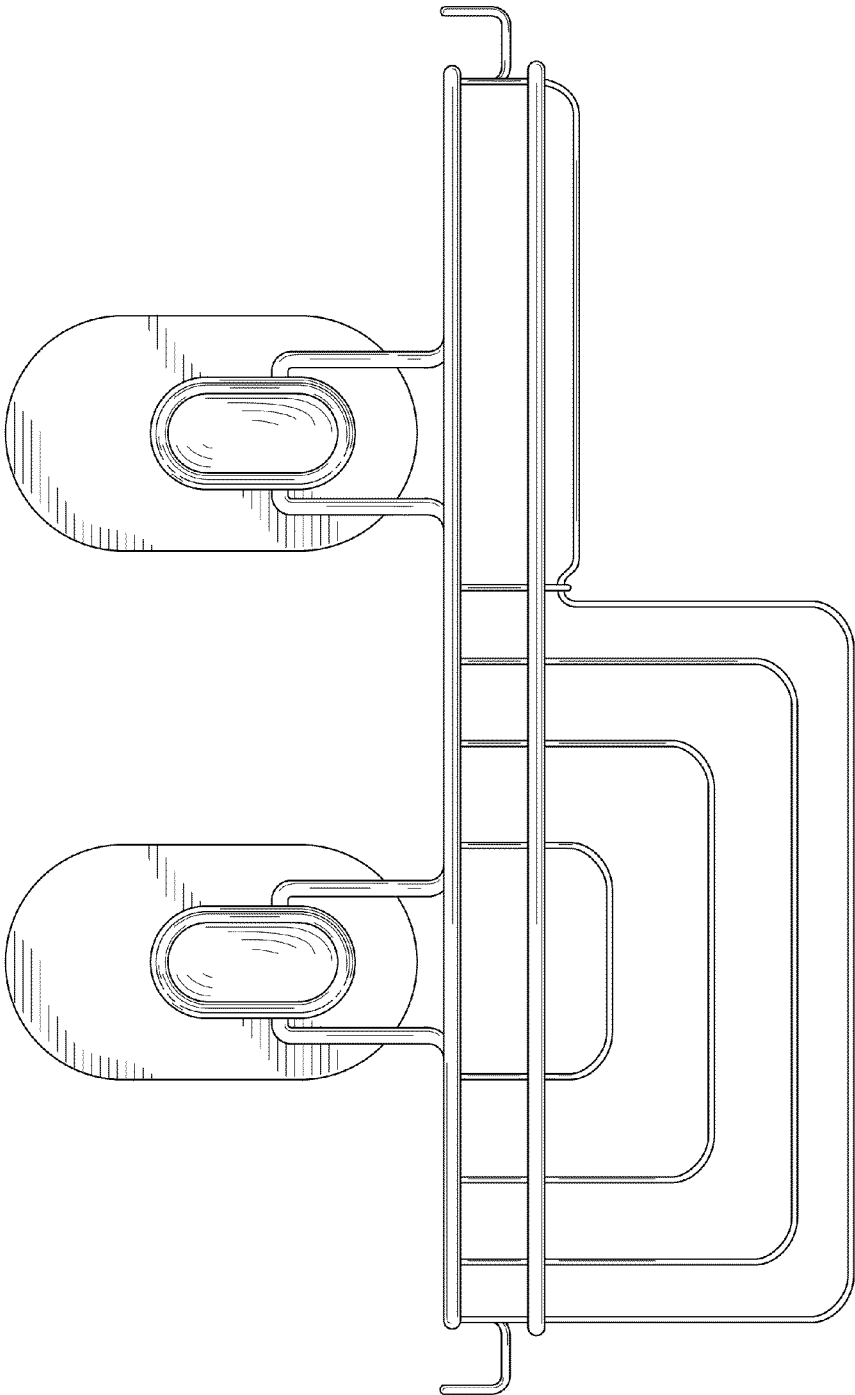


FIG. 2

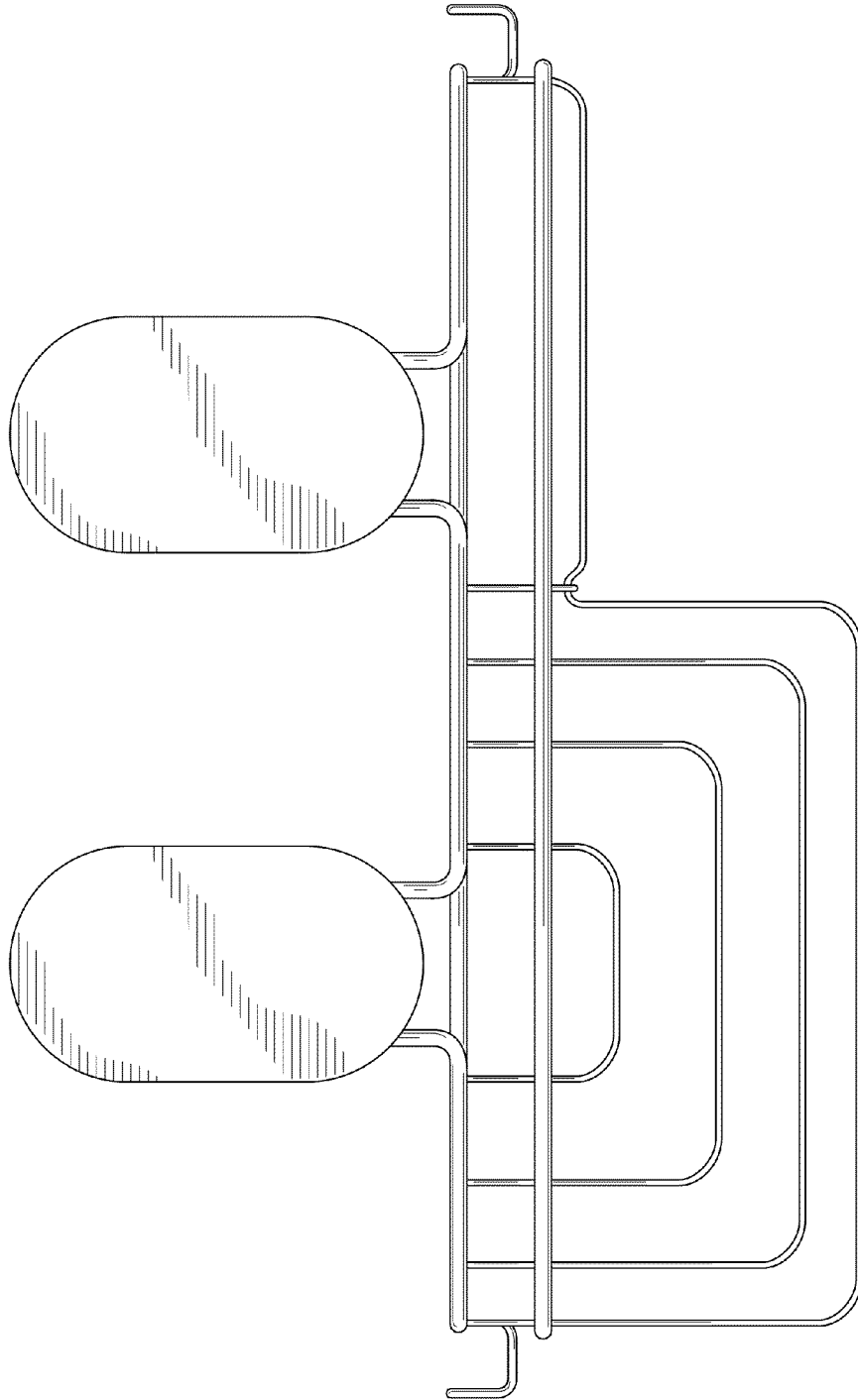


FIG. 3

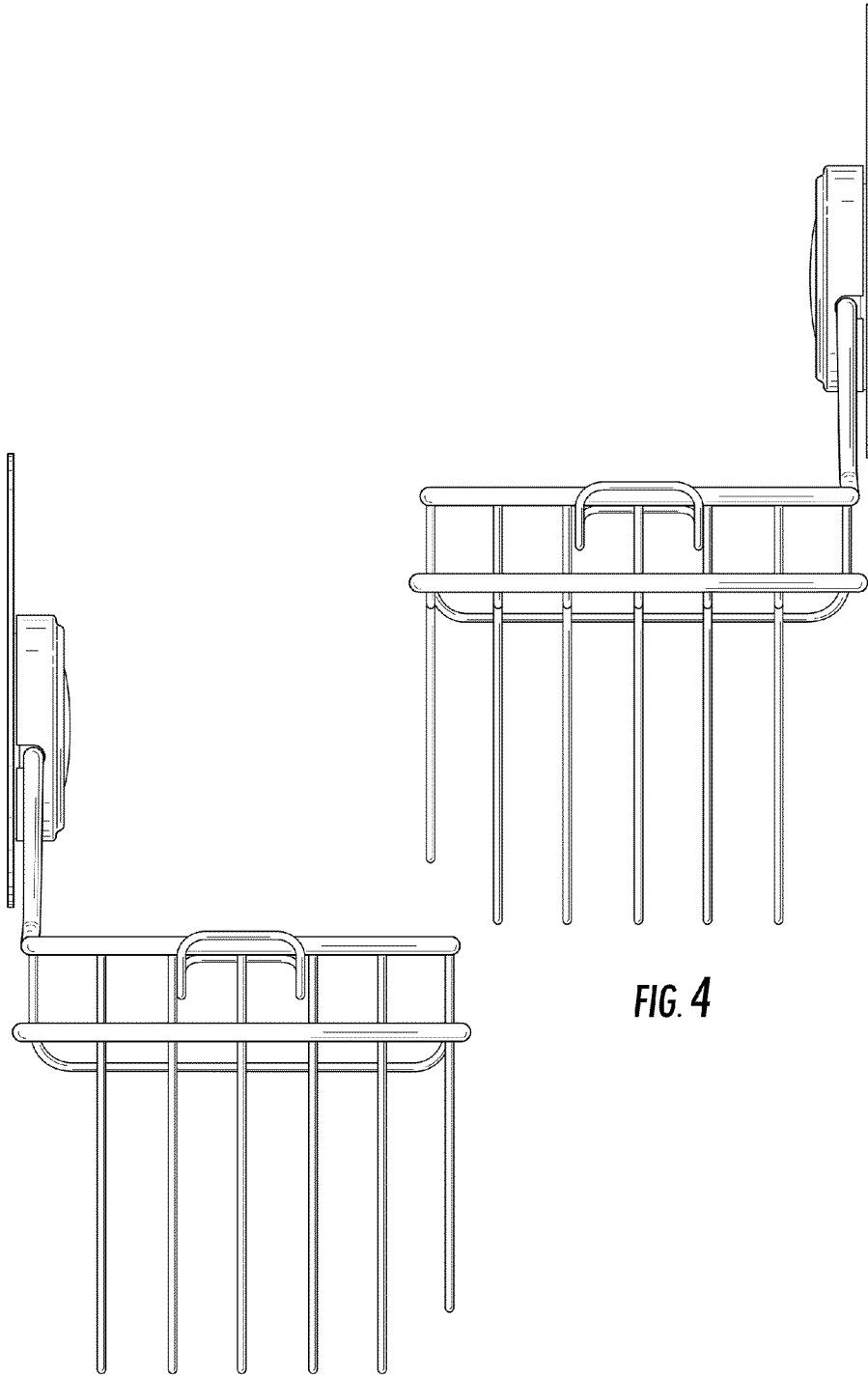


FIG. 4

FIG. 5

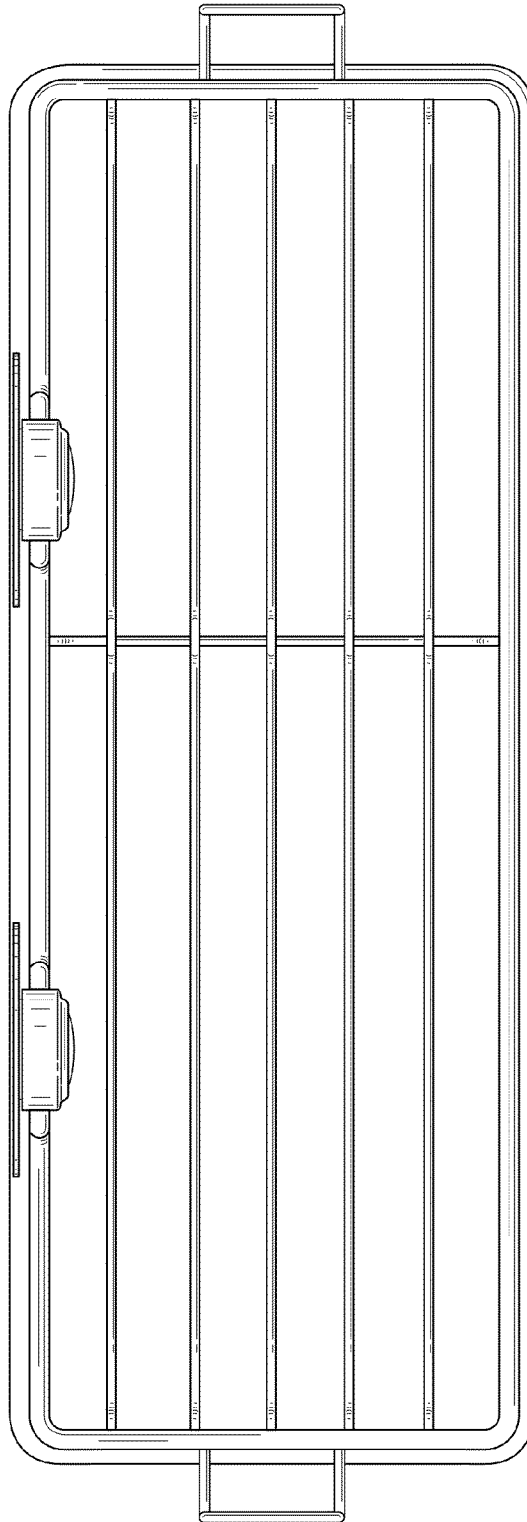


FIG. 6

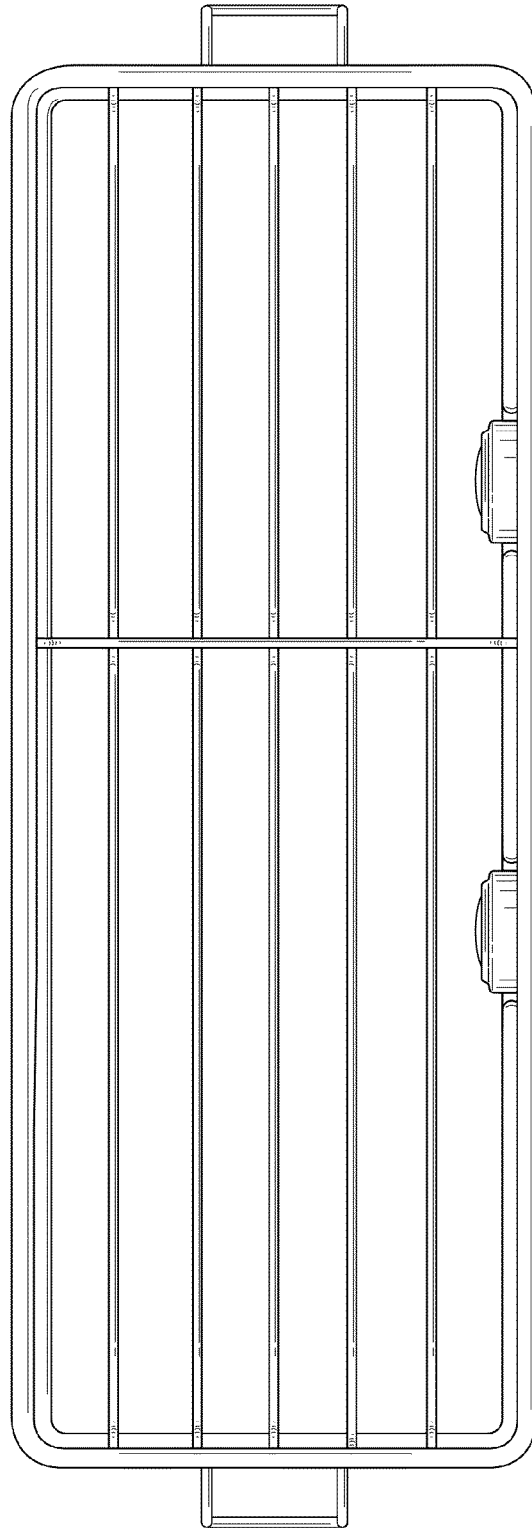


FIG. 7