



US00D797461S

(12) **United States Design Patent**
Dandridge et al.

(10) **Patent No.:** **US D797,461 S**

(45) **Date of Patent:** **** Sep. 19, 2017**

(54) **BODY BRUSH**

(71) Applicant: **Spectrum Brands, Inc.**, Middleton, WI (US)

(72) Inventors: **Bryan Keith Dandridge**, Waukesha, WI (US); **Seung Il Kim**, Madison, WI (US)

(73) Assignee: **Spectrum Brands, Inc.**, Middleton, WI (US)

(**) Term: **15 Years**

(21) Appl. No.: **29/550,097**

(22) Filed: **Dec. 30, 2015**

(51) **LOC (10) Cl.** **04-02**

(52) **U.S. Cl.**
USPC **D4/127**

(58) **Field of Classification Search**
USPC D4/122, 127, 131, 132, 133, 134, 135, D4/130, 199, 138; D24/211, 212, 213, D24/214, 215, 218; D28/7, 63; D32/40, D32/43, 45
CPC .. A46B 5/02; A46B 9/02; A46B 9/026; A46B 2200/102; A46B 2200/1006

See application file for complete search history.

(56) **References Cited**

U.S. PATENT DOCUMENTS

D45,441 S *	3/1914	Williams	D28/63
D46,240 S *	8/1914	Williams	601/137
1,913,462 A *	6/1933	Timar	A61H 7/003 601/135
D140,384 S *	2/1945	Latshaw	D24/211
2,408,860 A *	10/1946	Lindblad	A47K 7/03 15/244.1
2,448,846 A *	9/1948	Trochim	A61H 7/003 601/154
2,476,921 A *	7/1949	Shock	A61H 7/001 482/79

D266,116 S *	9/1982	Deconinck	D4/127
D440,768 S	4/2001	Chen		
D448,573 S	10/2001	Chen		

(Continued)

FOREIGN PATENT DOCUMENTS

CN	3027219	*	9/1994
CN	3034099	*	8/1995

(Continued)

OTHER PUBLICATIONS

Picture of body brush in article entitled, How to Dry Brush Your Skin (and Why You Should!) [on-line]. Published on the Internet Mar. 10, 2015; retrieved from the Internet on May 28, 2017. URL: <<https://beautyeditor.ca/2015/03/10/how-to-dry-brush-your-body>>. (7 pages).*

(Continued)

Primary Examiner — Karen E Eldridge Powers
(74) *Attorney, Agent, or Firm* — Banner & Witcoff, Ltd.

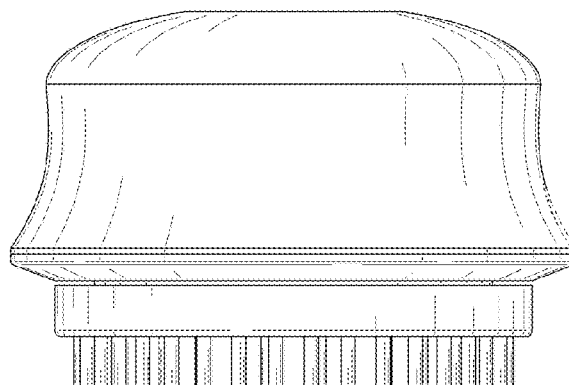
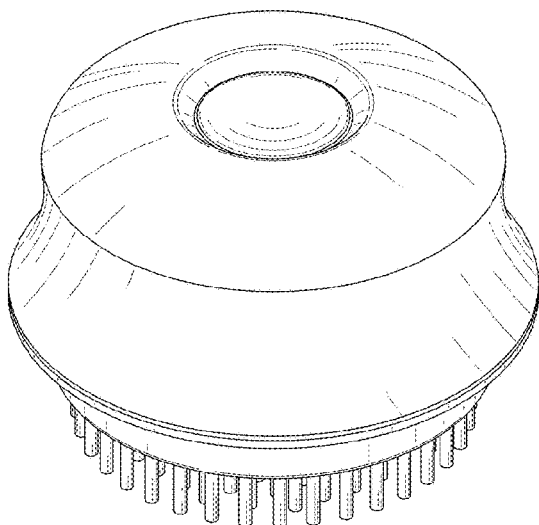
(57) **CLAIM**

The ornamental design for a body brush, as shown and described.

DESCRIPTION

FIG. 1 is a front, top perspective view of a body brush showing our new design;
FIG. 2 is a front elevation view thereof;
FIG. 3 is a rear elevation view thereof;
FIG. 4 is a left side elevation view thereof;
FIG. 5 is a right side elevation view thereof;
FIG. 6 is a top plan view thereof; and,
FIG. 7 is a bottom plan view thereof.
The broken line showing of the rounded trapezoidal region on the rear of the body brush represents environmental structure and forms no part of the claimed design.

1 Claim, 7 Drawing Sheets



(56)

References Cited

U.S. PATENT DOCUMENTS

D505,749 S * 5/2005 Angeletta D28/7
 D554,816 S * 11/2007 Lee D28/63
 D589,257 S 3/2009 Van Wambeke
 D601,803 S 10/2009 Reishus et al.
 8,061,919 B2* 11/2011 Alarcon Grajeda A47K 7/03
 15/244.4
 D675,333 S * 1/2013 Luzon D24/215
 D715,558 S 10/2014 Brewer
 D734,949 S 7/2015 Behnam
 D756,033 S * 5/2016 Gordon D28/7
 2007/0000566 A1* 1/2007 Gueret A45D 34/04
 141/98
 2015/0216371 A1* 8/2015 Cassidy A47K 7/03
 15/104.93

FOREIGN PATENT DOCUMENTS

CN 3456291 * 6/2005
 CN 3624931 3/2007
 CN 300757968 * 3/2008
 CN 302822522 S 5/2014
 CN 302832279 S 6/2014
 CN 303783919 * 8/2016

EM 002477851-0002 7/2014
 WO D091038-004 * 9/2016
 WO D091038-005 * 9/2016

OTHER PUBLICATIONS

Remington BB1000 Wet and Dry Rotating Exfoliating Body Brush: Amazon.co.uk: Health & Personal Care [on-line]. First available on Amazon May 4, 2016; retrieved from the Internet May 28, 2017. URL: <<https://www.amazon.co.uk/Remington-BB1000-Rotating-Exfoliating-Brush/dp/B01FAWGYJI>>. (6 pages).*

BB1000 Reveal Body Brush [on-line]. Publication date unknown; retrieved from the Internet May 28, 2017. URL: <<http://en.remington-europe.com/beauty-and-wellbeing/body-brushes/reveal-body-brush-bb10000.html>>. (2 pages).*

Remington Reveal BB1000 Body Brush Users Guide [on-line]. Publication date unknown; retrieved from the Internet May 28, 2017. URL: <http://en.remington-europe.com/pdf/bb1000_int.pdf>. (12 pages with enlargement on p. 12).*

Listing of companies that are held by Spectrum Brands [on-line]. Published at least as early as Oct. 4, 2015; retrieved from the Internet on May 28, 2017. URL: <<http://www.spectrumbrands.com/aboutus/>>. (1 page).*

* cited by examiner

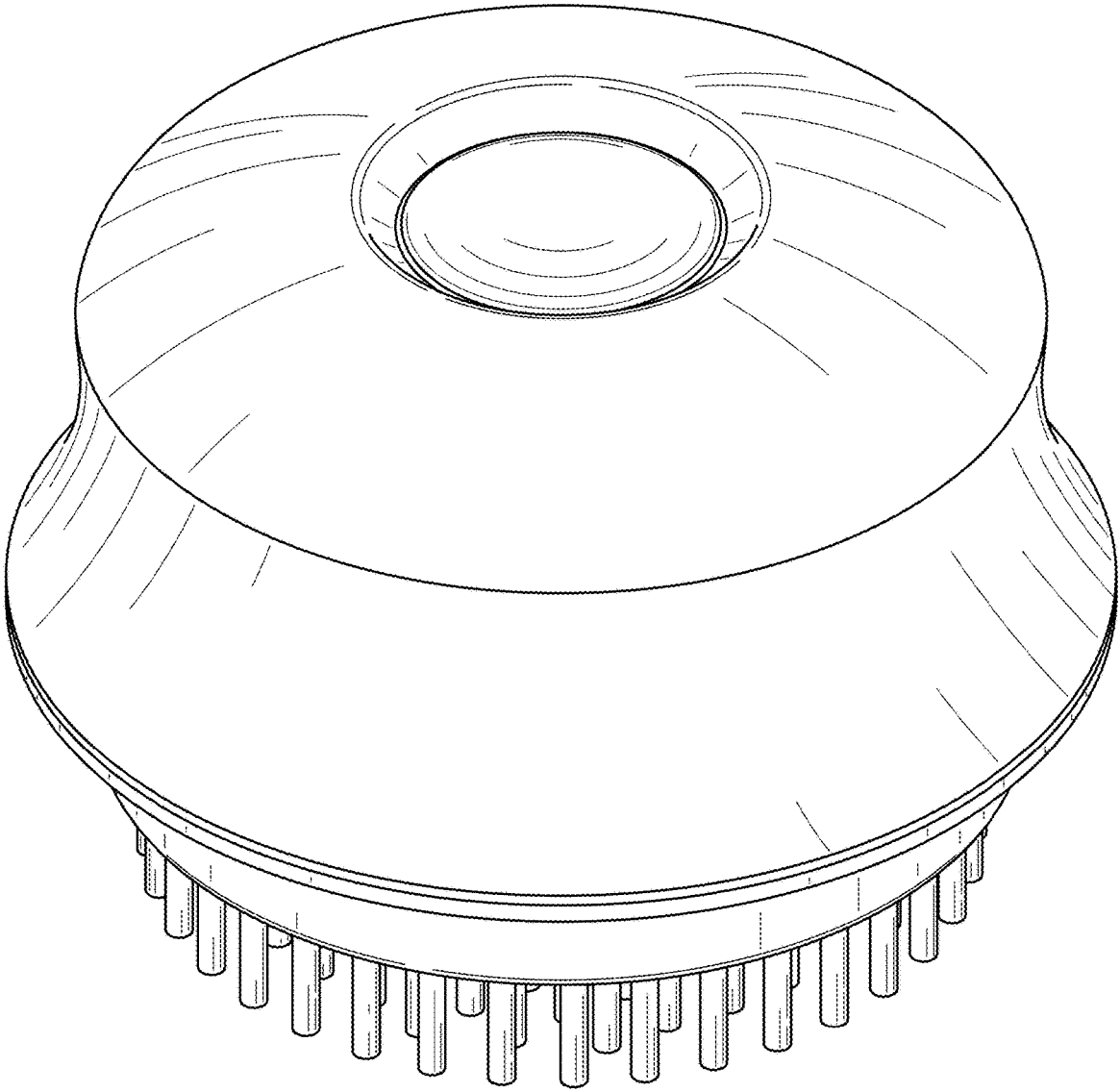


FIG. 1

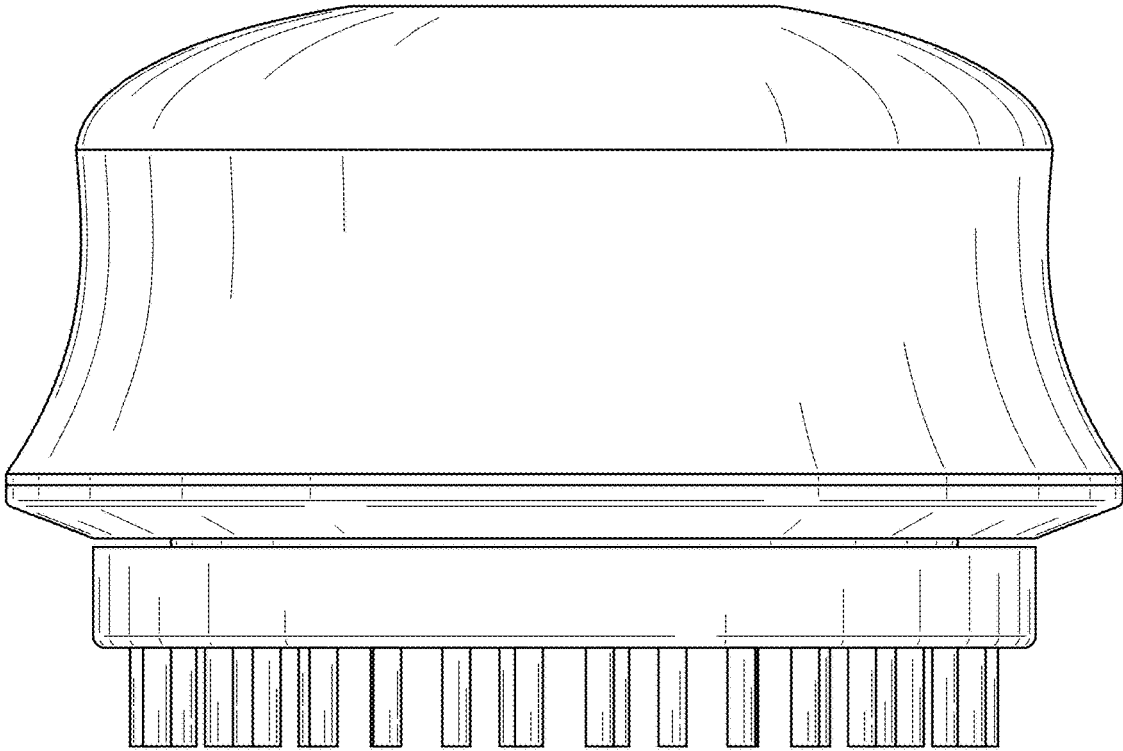


FIG. 2

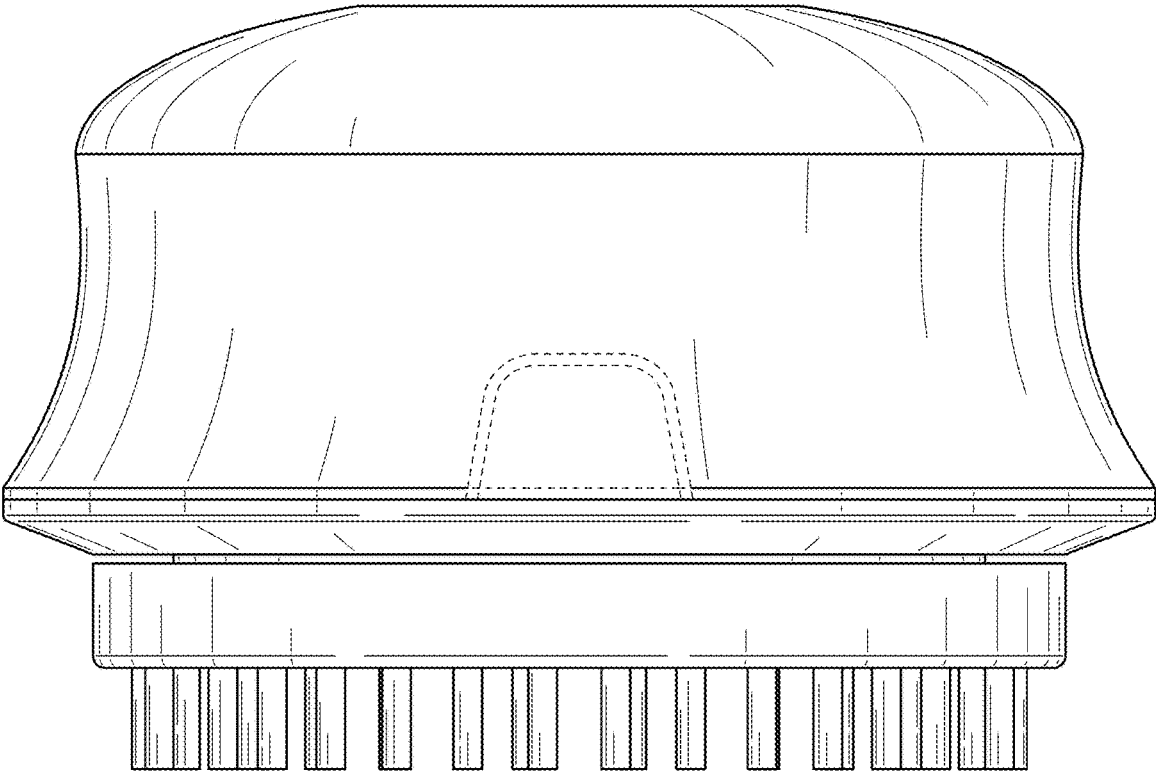


FIG. 3

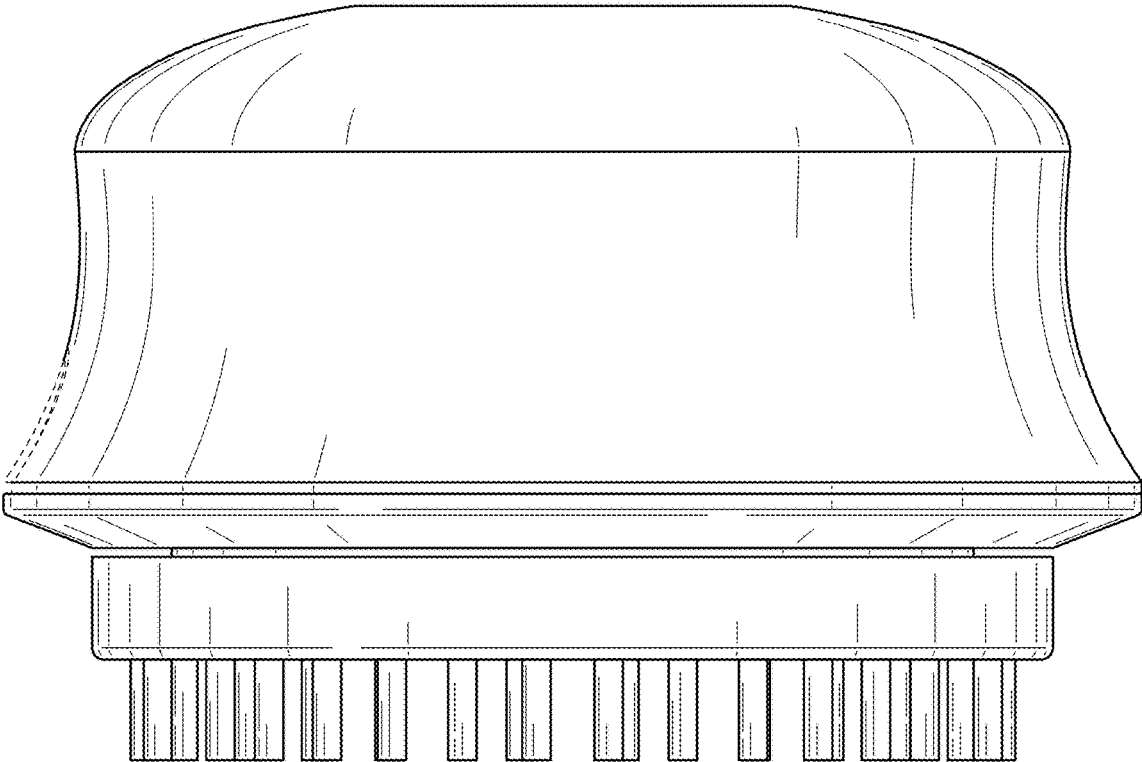


FIG. 4

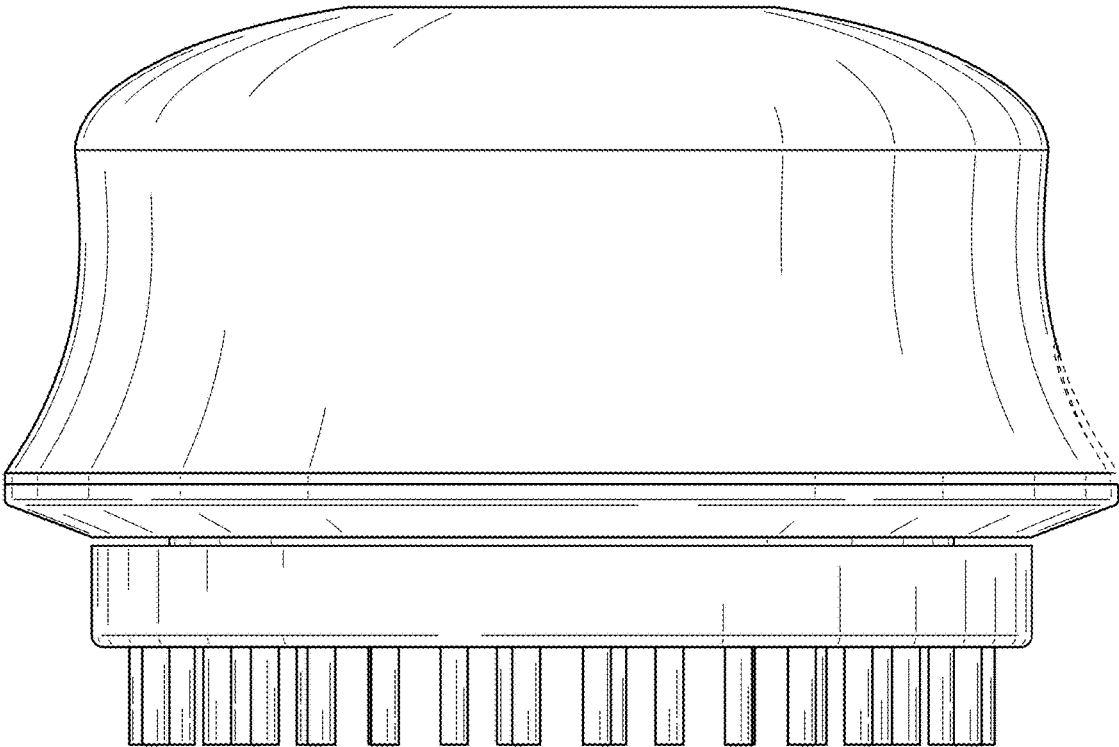


FIG. 5

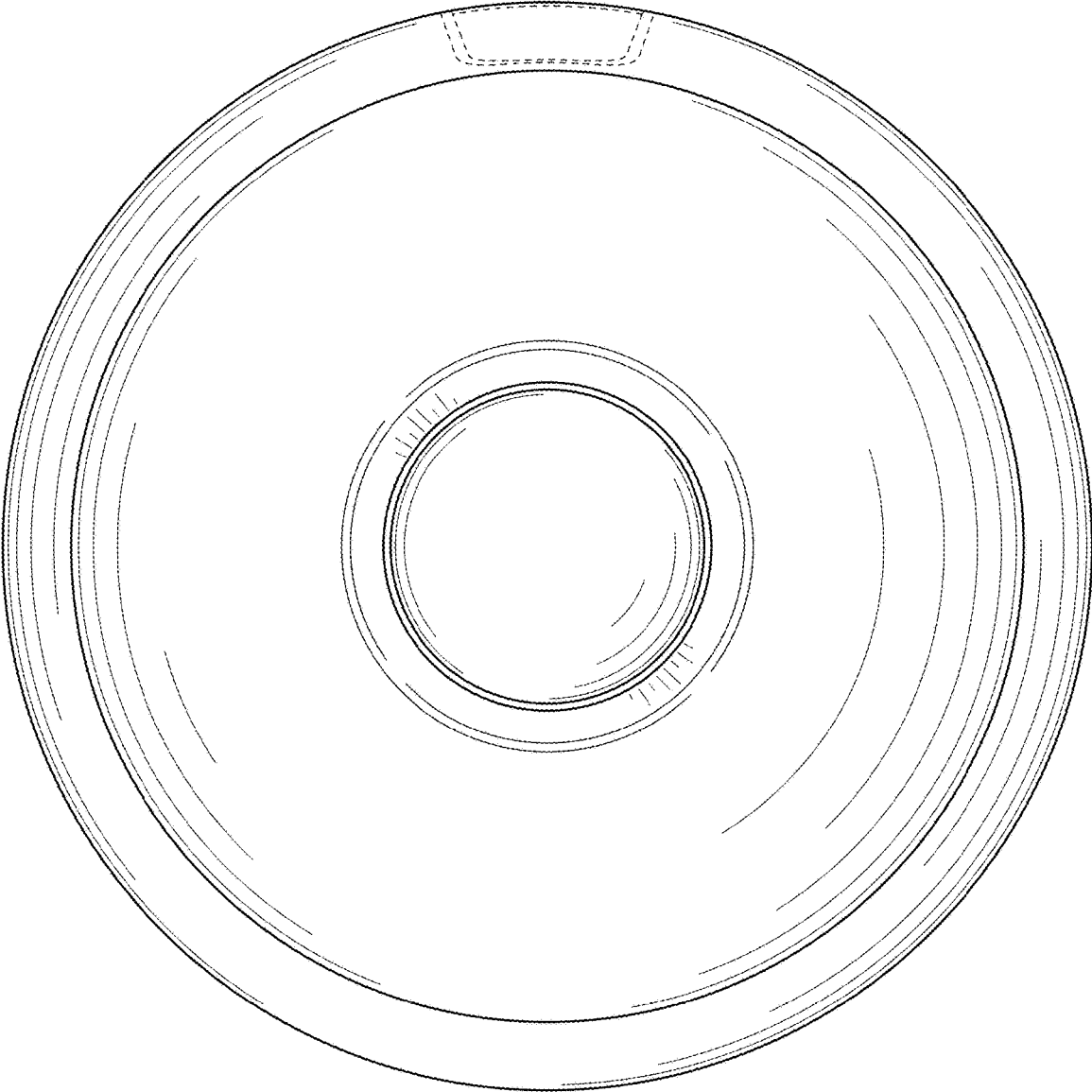


FIG. 6

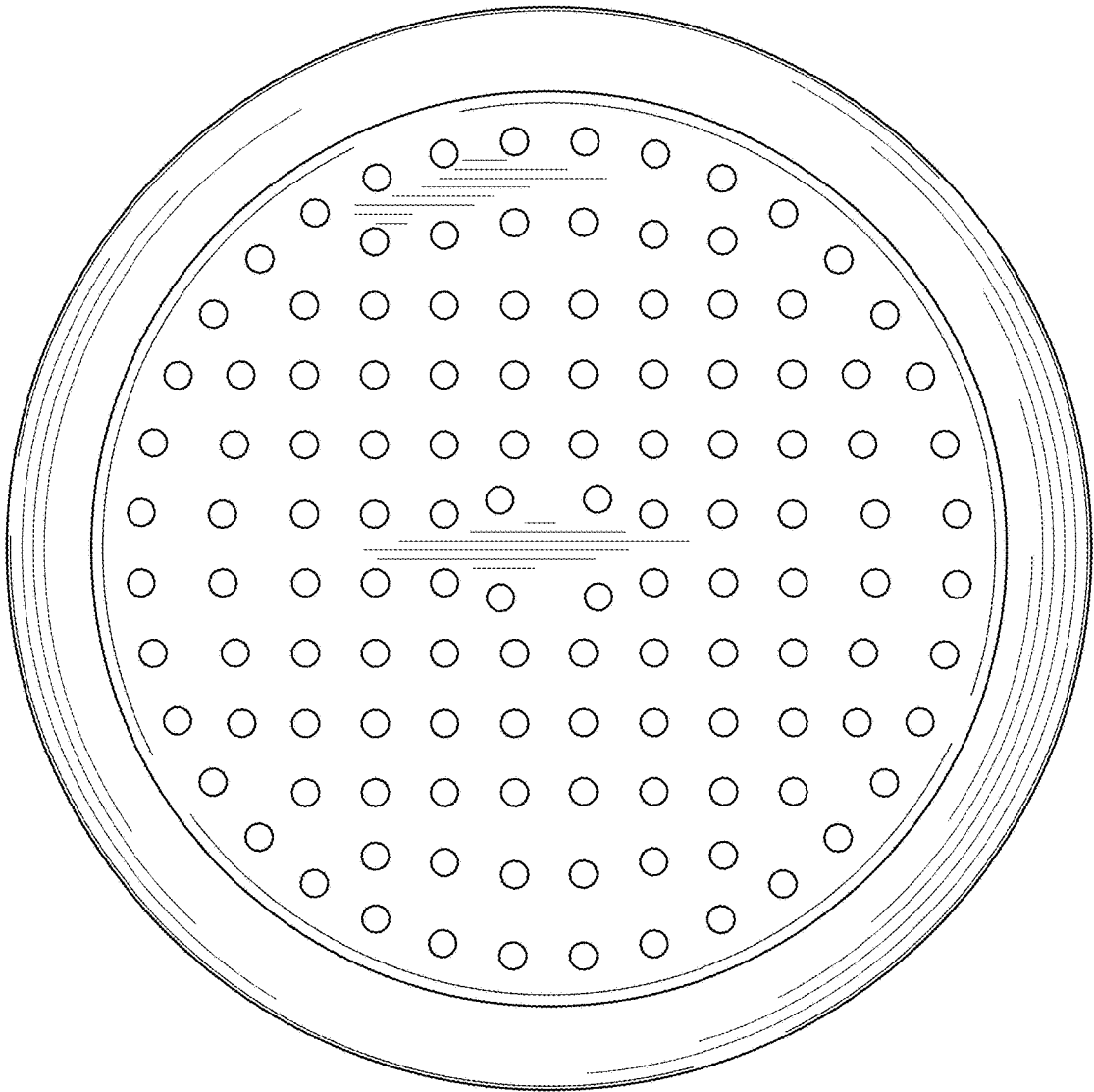


FIG. 7