

US00D385483S

United States Patent [19]

[11] Patent Number: **Des. 385,483**

Robinson et al.

[45] Date of Patent: ****Oct. 28, 1997**

[54] **BASE CABINET TOE KICK PLATE**

[75] Inventors: **Michael V. Robinson; Thomas W. Alkire**, both of Capon Bridge, W. Va.

[73] Assignee: **American Woodmark Corporation**, Winchester, Va.

[**] Term: **14 Years**

[21] Appl. No.: **46,008**

[22] Filed: **Nov. 6, 1995**

[51] **LOC (6) CL.** **08-08**

[52] **U.S. Cl.** **D8/382**

[58] **Field of Search** D8/300, 301, 380, D8/382; 24/304; 211/94, 105.1; 403/205, 230, 403; 248/58, 68.1, 250; D26/140; D25/125

[56] **References Cited**

U.S. PATENT DOCUMENTS

D. 246,949	1/1978	Davis	D8/300
D. 253,031	10/1979	Gidseg	D8/301
D. 258,262	2/1981	Sharon	D8/300 X
D. 283,295	4/1986	Bancroft	D8/300
D. 283,296	4/1986	Bancroft	D8/300
D. 283,297	4/1986	Bancroft	D8/300
D. 286,195	10/1986	Bancroft	D25/125
D. 318,343	7/1991	Miller et al.	D26/140
2,705,566	4/1955	Ford et al.	211/105.1
3,377,090	4/1968	Keith et al.	403/205
3,478,997	11/1969	Gross	211/94 X

4,103,375	8/1978	Santo	.
4,191,439	3/1980	Cohen	.
4,383,397	5/1983	Ward	.
4,436,343	3/1984	Schneider	.
4,477,201	10/1984	Yoshiyuji	.
4,712,942	12/1987	Brown	.
4,973,187	11/1990	Sauder	.
4,974,352	12/1990	Chen	.

Primary Examiner—Paula A. Mortimer
Attorney, Agent, or Firm—Laubscher & Laubscher

[57] **CLAIM**

The ornamental design for a base cabinet toe kick plate, as shown.

DESCRIPTION

FIG. 1 is a perspective view of a base cabinet toe kick plate showing our new design, the broken line showing of the cabinet with the additional base cabinet toe kick plate is for illustrative purposes only and forms no part of the claimed design;

FIG. 2 is a front view thereof;

FIG. 3 is a top plan view;

FIG. 4 is a right side elevational view thereof;

FIG. 5 is a front elevational view thereof;

FIG. 6 is a right side view thereof;

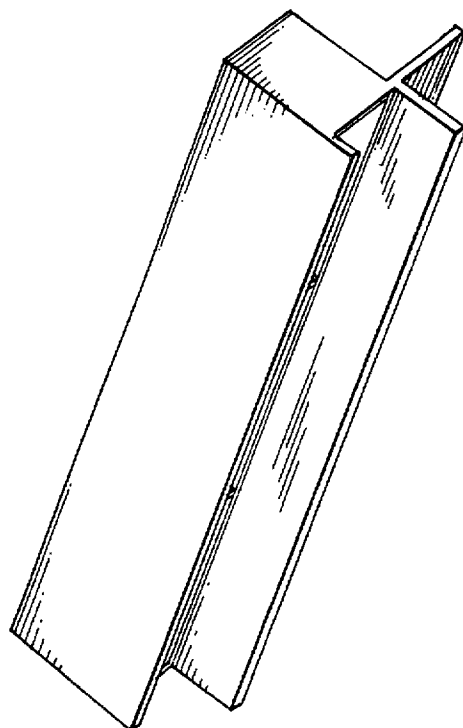
FIG. 7 is a rear view of thereof;

FIG. 8 is a left side view thereof;

FIG. 9 is a top view thereof; and,

FIG. 10 is a perspective view thereof.

1 Claim, 4 Drawing Sheets



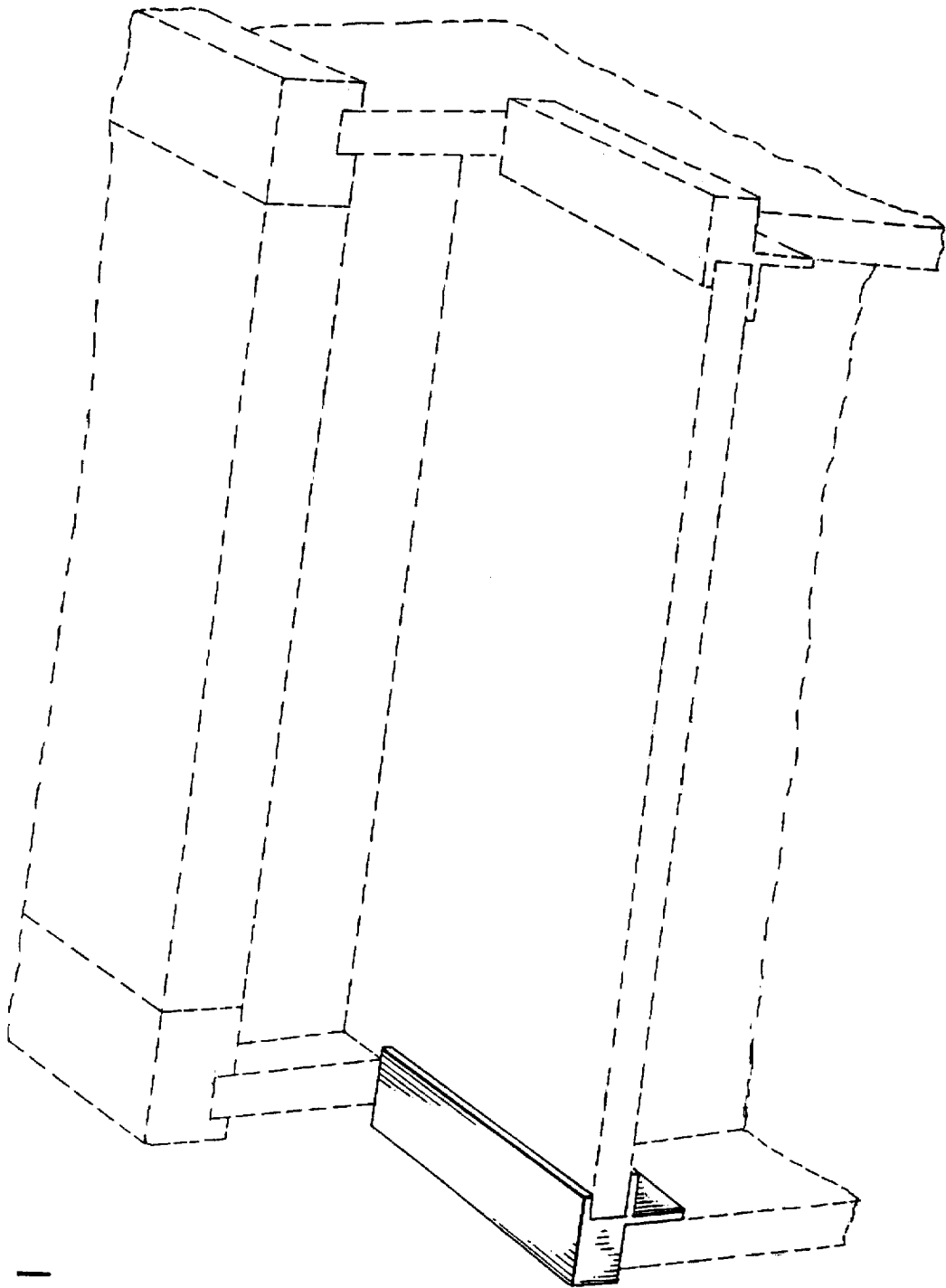


FIG. 1

FIG. 2

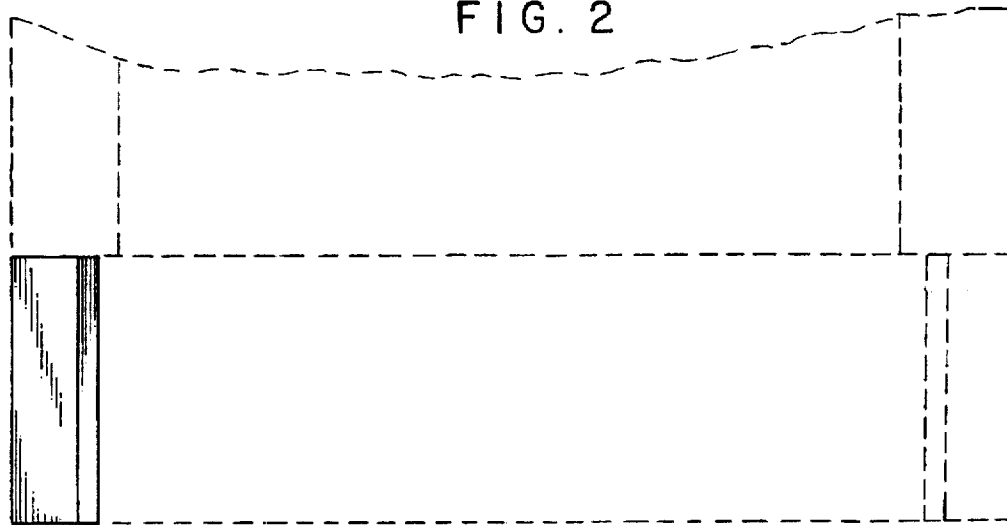


FIG. 3

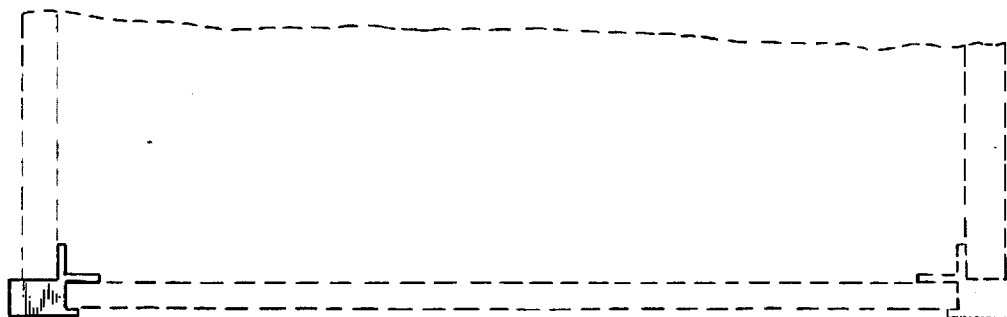
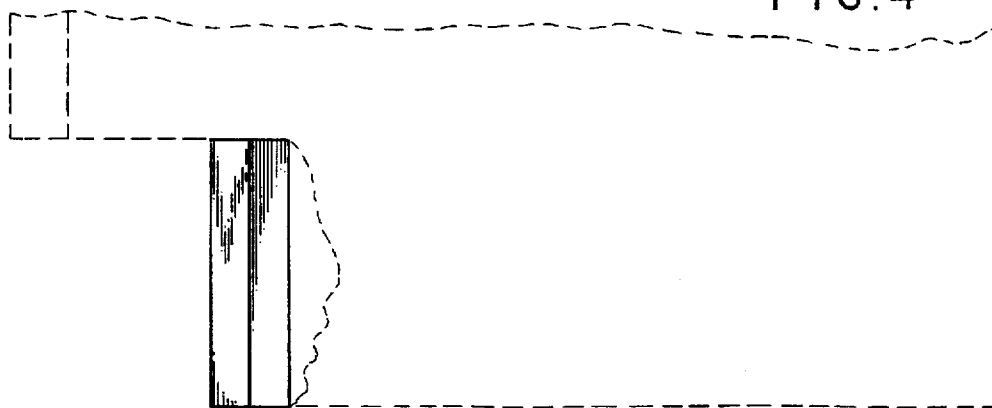


FIG. 4



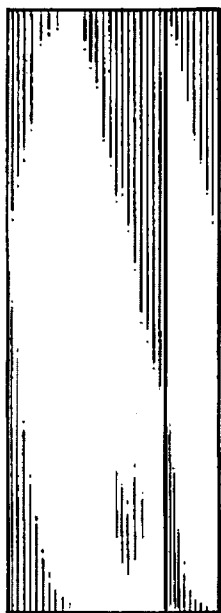


FIG. 5

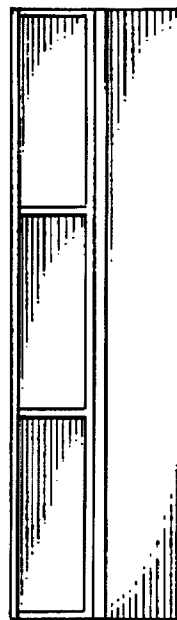


FIG. 6

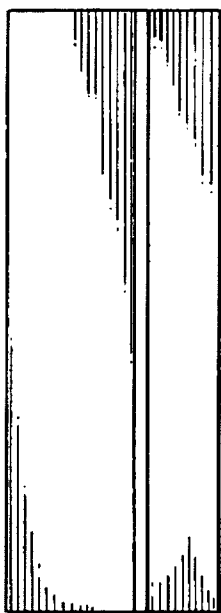


FIG. 7

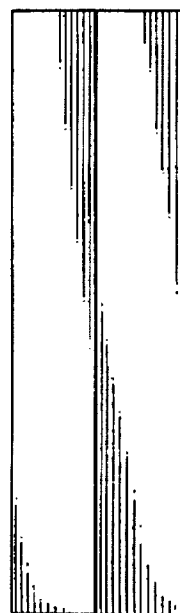


FIG. 8

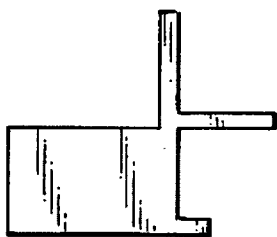


FIG. 9

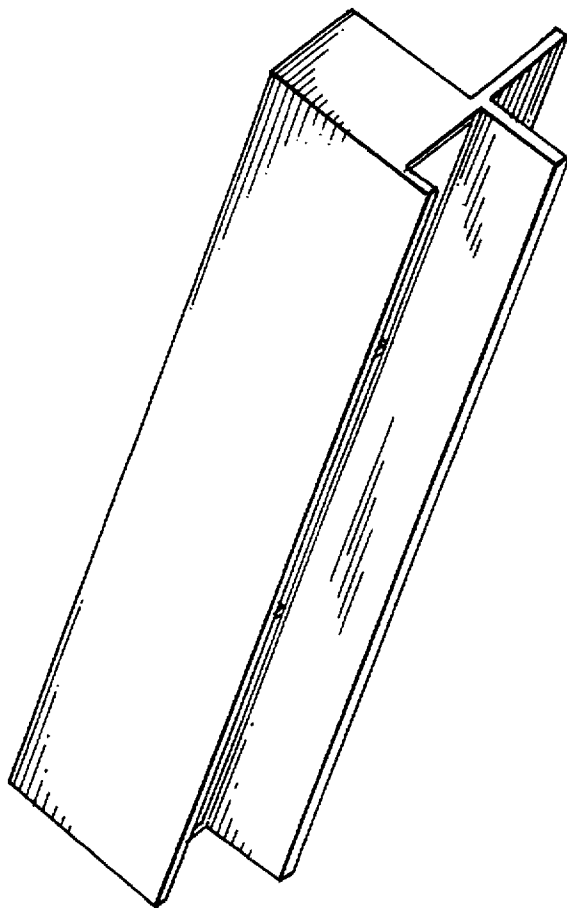


FIG. 10