

(19) World Intellectual Property  
Organization  
International Bureau



(43) International Publication Date  
30 September 2004 (30.09.2004)

PCT

(10) International Publication Number  
**WO 2004/082980 A3**

(51) International Patent Classification<sup>7</sup>: **B63B 17/00**

(21) International Application Number:  
PCT/US2004/008115

(22) International Filing Date: 15 March 2004 (15.03.2004)

(25) Filing Language: English

(26) Publication Language: English

(30) Priority Data:  
10/389,698 14 March 2003 (14.03.2003) US

(71) Applicant (for all designated States except US):  
**CHARLES, David** [US/US]; 9284 S.E. Cove Point  
Street, Jupiter, FL 33469 (US).

(71) Applicant and

(72) Inventor (for US only): **ABELLA, Jose** [US/US]; 1030  
N.E. 196 Street, North Miami, FL 33161 (US).

(81) Designated States (unless otherwise indicated, for every  
kind of national protection available): AE, AG, AL, AM,  
AT, AU, AZ, BA, BB, BG, BR, BW, BY, BZ, CA, CH, CN,

CO, CR, CU, CZ, DE, DK, DM, DZ, EC, EE, EG, ES, FI,  
GB, GD, GE, GH, GM, HR, HU, ID, IL, IN, IS, JP, KE,  
KG, KP, KR, KZ, LC, LK, LR, LS, LT, LU, LV, MA, MD,  
MG, MK, MN, MW, MX, MZ, NA, NI, NO, NZ, OM, PG,  
PH, PL, PT, RO, RU, SC, SD, SE, SG, SK, SL, SY, TJ, TM,  
TN, TR, TT, TZ, UA, UG, US, UZ, VC, VN, YU, ZA, ZM,  
ZW.

(84) Designated States (unless otherwise indicated, for every  
kind of regional protection available): ARIPO (BW, GH,  
GM, KE, LS, MW, MZ, SD, SL, SZ, TZ, UG, ZM, ZW),  
Eurasian (AM, AZ, BY, KG, KZ, MD, RU, TJ, TM), Euro-  
pean (AT, BE, BG, CH, CY, CZ, DE, DK, EE, ES, FI, FR,  
GB, GR, HU, IE, IT, LU, MC, NL, PL, PT, RO, SE, SI, SK,  
TR), OAPI (BF, BJ, CF, CG, CI, CM, GA, GN, GQ, GW,  
ML, MR, NE, SN, TD, TG).

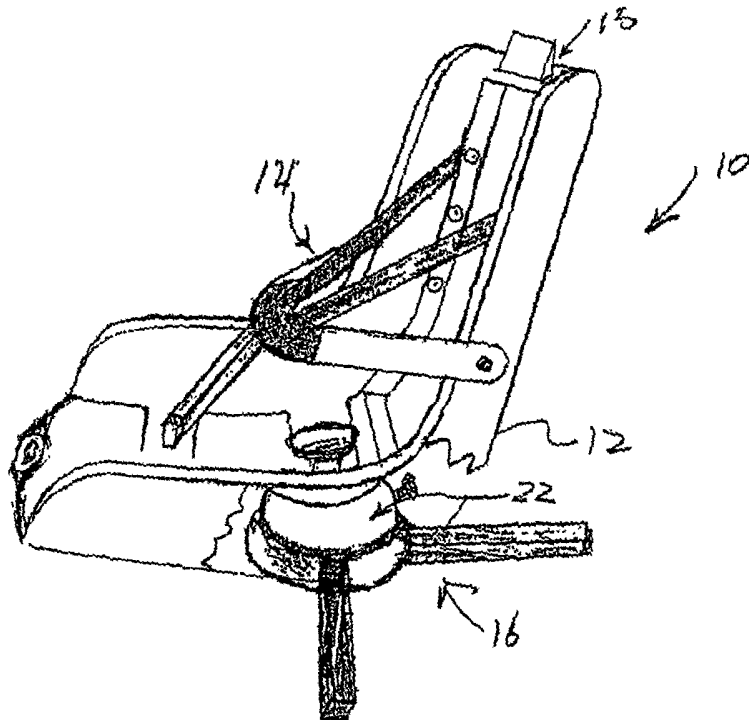
Published:

— with international search report

(88) Date of publication of the international search report:  
24 February 2005

For two-letter codes and other abbreviations, refer to the "Guid-  
ance Notes on Codes and Abbreviations" appearing at the begin-  
ning of each regular issue of the PCT Gazette.

(54) Title: SAFETY SEAT FOR A MARINE CRAFT OR OTHER VEHICLE



(57) Abstract: A safety seat assembly including a seat or like occupant support structured to maintain an occupant, such as a child or infant, in a predetermined, substantially upright orientation relative to the vehicle during travel thereof. A stabilization assembly includes an orientation portion moveable with the vehicle relative to the occupant support throughout a substantially universal range of orientations so as to compensate for any movement of the vehicle, including lateral sway, turning, acceleration, de-acceleration, etc., which would tend to displace the occupant and occupant support from the preferred orientation. In one embodiment, the occupant support includes a floatation assembly as well as a ballast structure, wherein the occupant support is removably mounted on a water craft and is structured to maintain an occupant in an above surface, floating orientation in the water in the event of an emergency.

WO 2004/082980 A3

# INTERNATIONAL SEARCH REPORT

International application No.

PCT/US04/08115

<b>A. CLASSIFICATION OF SUBJECT MATTER</b> IPC(7) : B63B 17/00 US CL : 114/363 According to International Patent Classification (IPC) or to both national classification and IPC		
<b>B. FIELDS SEARCHED</b> Minimum documentation searched (classification system followed by classification symbols) U.S. : 114/363, 191, 194; 267/131; 297/312, 314, 344.1 Documentation searched other than minimum documentation to the extent that such documents are included in the fields searched Electronic data base consulted during the international search (name of data base and, where practicable, search terms used) NONE		
<b>C. DOCUMENTS CONSIDERED TO BE RELEVANT</b>		
Category *	Citation of document, with indication, where appropriate, of the relevant passages	Relevant to claim No.
X	US 6,019,054 (HATTORI et al) 1 February 2000; Figure 19	1-5, 11-16, 30, 31
X	US 5,639,059 (NASH) 17 June 1997; entire document	1 and 18
Y, E	US 6,688,554 (WEEKLY) 10 February 2004; entire document	1 and 17
Y	US 4,401,290 (BUTLER) 30 August 1983; col. 1, lines 5-8	1 and 17
Y	US 6,042,093 (GARELICK) 28 March 2000; Figure 2	30-33 and 37-42
Y	US 5,993,276 (PONTON et al) 30 November 1999; entire document	30-33
Y	US 5,219,203 (SWITLIK) 15 June 1993; Figures 4B and 4C	30-33
Y	US 5,524,967 (GLOCKL) 11 June 1996; Figure 4	30, 37-42
Y	US 3,736,020 (PILACHOWSKI et al) 29 May 1973; entire document	42, 47-50
<input checked="" type="checkbox"/> Further documents are listed in the continuation of Box C. <input type="checkbox"/> See patent family annex.		
* Special categories of cited documents:		
"A" document defining the general state of the art which is not considered to be of particular relevance	"T"	later document published after the international filing date or priority date and not in conflict with the application but cited to understand the principle or theory underlying the invention
"E" earlier application or patent published on or after the international filing date	"X"	document of particular relevance; the claimed invention cannot be considered novel or cannot be considered to involve an inventive step when the document is taken alone
"L" document which may throw doubts on priority claim(s) or which is cited to establish the publication date of another citation or other special reason (as specified)	"Y"	document of particular relevance; the claimed invention cannot be considered to involve an inventive step when the document is combined with one or more other such documents, such combination being obvious to a person skilled in the art
"O" document referring to an oral disclosure, use, exhibition or other means	"&"	document member of the same patent family
"P" document published prior to the international filing date but later than the priority date claimed		
Date of the actual completion of the international search 27 September 2004 (27.09.2004)	Date of mailing of the international search report <b>09 DEC 2004</b>	
Name and mailing address of the ISA/US Mail Stop PCT, Attn: ISA/US Commissioner for Patents P.O. Box 1450 Alexandria, Virginia 22313-1450 Facsimile No. (703) 305-3230	Authorized officer <i>Vincent Trams</i> Telephone No. 703-305-3900	

# INTERNATIONAL SEARCH REPORT

International application No.  
PCT/US04/08115

## C. (Continuation) DOCUMENTS CONSIDERED TO BE RELEVANT

Category *	Citation of document, with indication, where appropriate, of the relevant passages	Relevant to claim No.
Y	US 5,309,861 (MARDIKIAN) 10 May 1994; Figure 3	42, 47-50
Y	US 6,394,867 (BIANCO) 28 May 2002; Figure 3	47-50
A	US 2,132,291 (FITOS) 4 October 1938; entire document	1-50
A	US 6,257,663 (SWIERCZEWSKI) 10 July 2001; entire document	1-50