

(19) World Intellectual Property Organization
International Bureau



(43) International Publication Date
22 September 2011 (22.09.2011)

(10) International Publication Number
WO 2011/115860 A3

- (51) International Patent Classification:
A61F 2/16 (2006.01)
- (21) International Application Number:
PCT/US2011/028256
- (22) International Filing Date:
14 March 2011 (14.03.2011)
- (25) Filing Language: English
- (26) Publication Language: English
- (30) Priority Data:
61/314,180 16 March 2010 (16.03.2010) US
- (71) Applicant (for all designated States except US): **MOR RESEARCH APPLICATIONS LTD.** [IL/IL]; 38 Habarzel Street, 69710 Tel Aviv (IL).
- (71) Applicant (for BW only): **KLEIN, David** [US/IL]; Beit HaRo'fim, 18 Menuha VeNahala Street, Room 27, 76209 Rehovot (IL).
- (72) Inventors; and
- (75) Inventors/Applicants (for US only): **BETSER, Nir** [IL/IL]; 37 Mohliver Street, 56208 Yehud (IL). **ASSIA, Ehud** [IL/IL]; 9 Kehilat Pozna Street, 69989 Tel Aviv (IL).
- (74) Agent: **KLEIN, David**; Beit HaRo'fim, 18 Menuha Ve-Nahala Street, Room 27, 76209 Rehovot (IL).

(81) Designated States (unless otherwise indicated, for every kind of national protection available): AE, AG, AL, AM, AO, AT, AU, AZ, BA, BB, BG, BH, BR, BW, BY, BZ, CA, CH, CL, CN, CO, CR, CU, CZ, DE, DK, DM, DO, DZ, EC, EE, EG, ES, FI, GB, GD, GE, GH, GM, GT, HN, HR, HU, ID, IL, IN, IS, JP, KE, KG, KM, KN, KP, KR, KZ, LA, LC, LK, LR, LS, LT, LU, LY, MA, MD, ME, MG, MK, MN, MW, MX, MY, MZ, NA, NG, NI, NO, NZ, OM, PE, PG, PH, PL, PT, RO, RS, RU, SC, SD, SE, SG, SK, SL, SM, ST, SV, SY, TH, TJ, TM, TN, TR, TT, TZ, UA, UG, US, UZ, VC, VN, ZA, ZM, ZW.

(84) Designated States (unless otherwise indicated, for every kind of regional protection available): ARIPO (BW, GH, GM, KE, LR, LS, MW, MZ, NA, SD, SL, SZ, TZ, UG, ZM, ZW), Eurasian (AM, AZ, BY, KG, KZ, MD, RU, TJ, TM), European (AL, AT, BE, BG, CH, CY, CZ, DE, DK, EE, ES, FI, FR, GB, GR, HR, HU, IE, IS, IT, LT, LU, LV, MC, MK, MT, NL, NO, PL, PT, RO, RS, SE, SI, SK, SM, TR), OAPI (BF, BJ, CF, CG, CI, CM, GA, GN, GQ, GW, ML, MR, NE, SN, TD, TG).

Published:

- with international search report (Art. 21(3))
- before the expiration of the time limit for amending the claims and to be republished in the event of receipt of amendments (Rule 48.2(h))

[Continued on next page]

(54) Title: ACCOMMODATING INTRAOCULAR LENS ASSEMBLY

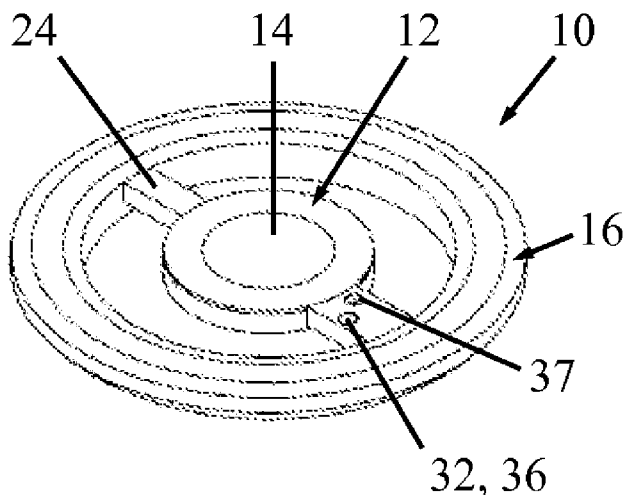


FIG. 1A

(57) Abstract: An accommodating intraocular lens (AIOL) assembly (10) including an optics assembly (12) including an inflatable member (14), and characterised by an extra-capsular-bag interface structure (16) for interfacing with ocular structure of an eye external to a capsular bag for implanting the AIOL (10) outside the capsular bag, the extra-capsular-bag interface structure (16) including a less-rigid portion (18) and a more-rigid portion (20) that define a volume therebetween which is at least partially filled with a fluid (22) and which is in fluid communication with the inflatable member (14) via at least one conduit (24), and wherein the less-rigid portion (18) is responsive to movement of the ocular structure to apply a pumping force on the fluid (22) to cause the fluid (22) to flow via the at least one conduit (24) to the inflatable member (14) so as to change the optical power of the optics assembly (12).



WO 2011/115860 A3

(88) Date of publication of the international search report:
19 January 2012

INTERNATIONAL SEARCH REPORT

International application No
PCT/US2011/028256

A. CLASSIFICATION OF SUBJECT MATTER
INV. A61F2/16
ADD.
According to International Patent Classification (IPC) or to both national classification and IPC

B. FIELDS SEARCHED
Minimum documentation searched (classification system followed by classification symbols)
A61F

Documentation searched other than minimum documentation to the extent that such documents are included in the fields searched

Electronic data base consulted during the international search (name of data base and, where practical, search terms used)
EPO-Internal

C. DOCUMENTS CONSIDERED TO BE RELEVANT

Category*	Citation of document, with indication, where appropriate, of the relevant passages	Relevant to claim No.
X	US 2007/129798 A1 (CHAWDHARY SATISH [GB]) 7 June 2007 (2007-06-07)	1-5,9,15
Y	paragraph [0009] - paragraph [0030] paragraph [0044] - paragraph [0067] paragraph [0084]; figures 1-9	6-8, 10-14
X	US 2009/264998 A1 (MENTAK KHALID [US] ET AL) 22 October 2009 (2009-10-22) paragraph [0013] - paragraph [0015] paragraph [0024] - paragraph [0027] paragraph [0077]; figures 25,26	1,9
Y	US 4 932 966 A (CHRISTIE BRUCE A [US] ET AL) 12 June 1990 (1990-06-12) column 3, line 27 - column 8, line 10; figures 1-24	6-8, 11-14
	----- -/--	

Further documents are listed in the continuation of Box C.

See patent family annex.

* Special categories of cited documents :

- "A" document defining the general state of the art which is not considered to be of particular relevance
- "E" earlier document but published on or after the international filing date
- "L" document which may throw doubts on priority claim(s) or which is cited to establish the publication date of another citation or other special reason (as specified)
- "O" document referring to an oral disclosure, use, exhibition or other means
- "P" document published prior to the international filing date but later than the priority date claimed

- "T" later document published after the international filing date or priority date and not in conflict with the application but cited to understand the principle or theory underlying the invention
- "X" document of particular relevance; the claimed invention cannot be considered novel or cannot be considered to involve an inventive step when the document is taken alone
- "Y" document of particular relevance; the claimed invention cannot be considered to involve an inventive step when the document is combined with one or more other such documents, such combination being obvious to a person skilled in the art.
- "&" document member of the same patent family

Date of the actual completion of the international search 17 November 2011	Date of mailing of the international search report 25/11/2011
---	--

Name and mailing address of the ISA/ European Patent Office, P.B. 5818 Patentlaan 2 NL - 2280 HV Rijswijk Tel. (+31-70) 340-2040, Fax: (+31-70) 340-3016	Authorized officer Legra, A
--	------------------------------------

INTERNATIONAL SEARCH REPORT

International application No
PCT/US2011/028256

C(Continuation). DOCUMENTS CONSIDERED TO BE RELEVANT		
Category*	Citation of document, with indication, where appropriate, of the relevant passages	Relevant to claim No.
Y A	US 2009/005865 A1 (SMILEY TERRY W [US] ET AL) 1 January 2009 (2009-01-01) paragraph [0076] paragraph [0079] -----	6-8, 11-13 15
Y	US 2009/043384 A1 (NIWA KAZUHARU [JP] ET AL) 12 February 2009 (2009-02-12) paragraph [0023] - paragraph [0024] paragraph [0132] paragraph [0156]; figures 4,11,14 -----	6,10,11, 13
Y	US 2008/039937 A1 (OBREBSKI ANDREAS [DE]) 14 February 2008 (2008-02-14) paragraph [0111] - paragraph [0116]; figure 5 -----	10
A	WO 2009/015226 A2 (POWERSVISION INC [US]; SMILEY TERAH WHITING [US]; SMITH DAVID JOHN [US]) 29 January 2009 (2009-01-29) paragraph [0051] -----	15

INTERNATIONAL SEARCH REPORT

Information on patent family members

International application No

PCT/US2011/028256

Patent document cited in search report	Publication date	Patent family member(s)	Publication date	
US 2007129798	A1	07-06-2007	GB 2420293 A US 2007129798 A1 WO 2005018504 A1	24-05-2006 07-06-2007 03-03-2005

US 2009264998	A1	22-10-2009	EP 2323590 A1 US 2009264998 A1 WO 2010104654 A1	25-05-2011 22-10-2009 16-09-2010

US 4932966	A	12-06-1990	BR 8904102 A CA 1322261 C DE 68902614 D1 DE 68902614 T2 EP 0356050 A1 ES 2030637 T1 JP 2008242 C JP 2167157 A JP 7044938 B US 4932966 A	10-04-1990 21-09-1993 01-10-1992 21-01-1993 28-02-1990 16-11-1992 11-01-1996 27-06-1990 17-05-1995 12-06-1990

US 2009005865	A1	01-01-2009	AU 2008279167 A1 CA 2693906 A1 CN 101795642 A EP 2178462 A2 JP 2010534520 A US 2009005865 A1 WO 2009015234 A2	29-01-2009 29-01-2009 04-08-2010 28-04-2010 11-11-2010 01-01-2009 29-01-2009

US 2009043384	A1	12-02-2009	CN 101277659 A EP 1958592 A1 JP 2007089810 A KR 20080049083 A US 2009043384 A1 WO 2007037180 A1	01-10-2008 20-08-2008 12-04-2007 03-06-2008 12-02-2009 05-04-2007

US 2008039937	A1	14-02-2008	AT 418936 T CN 1878515 A DE 102004017283 A1 EP 1667612 A1 ES 2319668 T3 JP 4778957 B2 JP 2007532162 A US 2008039937 A1 WO 2005096999 A1	15-01-2009 13-12-2006 03-11-2005 14-06-2006 11-05-2009 21-09-2011 15-11-2007 14-02-2008 20-10-2005

WO 2009015226	A2	29-01-2009	EP 2178463 A2 JP 2010534519 A WO 2009015226 A2	28-04-2010 11-11-2010 29-01-2009
