



US00D960210S

(12) **United States Design Patent** (10) **Patent No.:** **US D960,210 S**  
**Choi et al.** (45) **Date of Patent:** **\*\* Aug. 9, 2022**

(54) **DOOR FOR REFRIGERATOR**

- (71) Applicant: **LG ELECTRONICS INC.**, Seoul (KR)
- (72) Inventors: **Kyukwan Choi**, Seoul (KR); **Sanghun Kim**, Seoul (KR); **Sangwoog Cho**, Seoul (KR); **Wonsang Choi**, Seoul (KR); **Seungjin Yoon**, Seoul (KR); **Sungkyong Han**, Seoul (KR)
- (73) Assignee: **LG ELECTRONICS INC.**, Seoul (KR)

(\*\*) Term: **15 Years**

(21) Appl. No.: **29/774,528**

(22) Filed: **Mar. 17, 2021**

(30) **Foreign Application Priority Data**

Sep. 18, 2020 (KR) ..... 30-2020-0045046

(51) **LOC (13) Cl.** ..... **15-07**

(52) **U.S. Cl.**  
USPC ..... **D15/91**

(58) **Field of Classification Search**  
USPC ..... D15/79-91  
CPC ..... F25D 2323/021; F25D 2323/024; F25D 29/00; F25D 27/005; F25D 29/005; F25D 17/042; F25D 2325/021; F25D 11/00; F25D

(Continued)

(56) **References Cited**

**U.S. PATENT DOCUMENTS**

D720,373 S \* 12/2014 Kim ..... D15/89  
D754,217 S \* 4/2016 Choi ..... D15/89

(Continued)

**OTHER PUBLICATIONS**

Samsung, RB12A300641 24 Inch Bottom Freezer Refrigerator, (Site visited Dec. 29, 2021), A.J. Madison Appliances, URL:<https://www.ajmadison.com/cgi-bin/ajmadison/RB12A3006.html#mz-expanded-view-963375638425> (Year: 2021).\*

(Continued)

*Primary Examiner* — Calvin E Vansant  
*Assistant Examiner* — Mark T. Philipps  
(74) *Attorney, Agent, or Firm* — Birch, Stewart, Kolasch & Birch, LLP

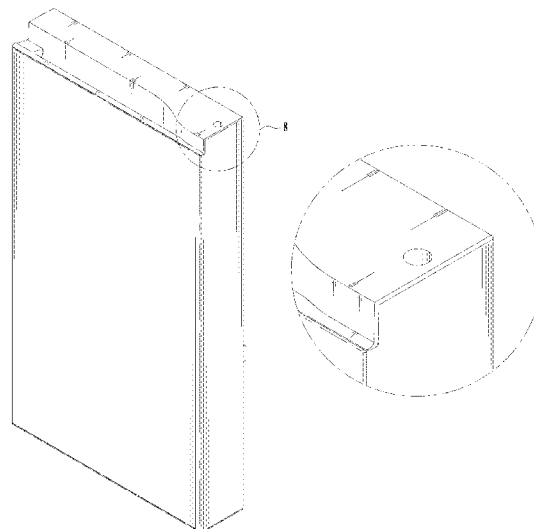
(57) **CLAIM**

The ornamental design for a door for refrigerator, as shown and described.

**DESCRIPTION**

FIG. 1 is a front perspective view of the door for refrigerator showing our new design;  
FIG. 2 is a front view thereof;  
FIG. 3 is a back view thereof;  
FIG. 4 is a left side view thereof;  
FIG. 5 is a right side view thereof;  
FIG. 6 is a top plan view thereof;  
FIG. 7 is a bottom plan view thereof;  
FIG. 8 is a partial enlarged view of the region 8 taken from FIG. 1;  
FIG. 9 is a perspective view showing the state where the front panel has been separated from the claimed design for the replacement; and,  
FIG. 10 is a perspective view showing the state of use where the claimed design has been attached to the refrigerator. The broken lines depict portions of the door for refrigerator that form no part of the claimed design. The long dash-short dash-long dash broken lines on FIGS. 1 and 8 depict the boundary of the enlarged view on FIG. 8, taken from FIG. 1, and form no part of the claimed design. The portions of FIG. 10 drawn in broken lines show environmental structure only and form no part of the claimed design.

**1 Claim, 10 Drawing Sheets**



(58) **Field of Classification Search**

CPC ..... 11/02; F25D 11/025; F25D 23/00; F25D 23/02; F25D 23/04; F25D 23/12; F25D 23/028; F25D 25/02; F25D 25/021; F25D 25/022; F25D 25/024; F25D 25/025; A47F 3/04; A47F 3/0404

See application file for complete search history.

2013/0026900 A1\* 1/2013 Oh ..... E05D 11/06 312/401  
2018/0038626 A1\* 2/2018 Kim ..... E05F 15/73  
2018/0156520 A1\* 6/2018 Lindel ..... F25D 11/00  
2018/0164033 A1\* 6/2018 Lee ..... F25D 29/005  
2020/0263479 A1\* 8/2020 Lee ..... F25D 29/005  
2020/0326119 A1\* 10/2020 Lee ..... F25D 23/02  
2021/0372688 A1\* 12/2021 Kang ..... F25D 23/02

(56)

**References Cited**

U.S. PATENT DOCUMENTS

D755,261 S \* 5/2016 Choi ..... D15/89  
D758,461 S \* 6/2016 Lee ..... D15/91  
D771,161 S \* 11/2016 Park ..... D15/91  
D841,060 S \* 2/2019 Jeon ..... D15/91  
D847,214 S \* 4/2019 Guo ..... D15/81  
D905,767 S \* 12/2020 Lee ..... D15/89  
D908,748 S \* 1/2021 Lee ..... D15/91  
D921,064 S \* 6/2021 Lee ..... D15/89  
D921,065 S \* 6/2021 Lee ..... D15/89  
D921,711 S \* 6/2021 Lee ..... D15/85  
D921,714 S \* 6/2021 Yoon ..... D15/86

OTHER PUBLICATIONS

Samsung, "Bring professional quality home. Discover how Samsung Home Appliances can deliver you the perfect kitchen.", (posted Jul. 31, 2017), Instagram.com, URL:<<https://www.instagram.com/p/BXNJxm4ltMa/>> (Year: 2017).\*  
LG Electronics, Signature Q23FGNGR Refrigerator, (site visited Dec. 9, 2021), LG.com, URL:<<https://www.lg.com/jp/refrigerators/lg-gr-q23fgngr#>> (Year: 2021).\*  
LG Electronics, LRSOS2706S 36 Inch Print proof Stainless Steel Side by Side Refrigerator, (site visited Dec. 10, 2021), LG.com, URL: <<https://www.appliancesconnection.com/lg-lrsos2706s.html>> (Year: 2021).\*

\* cited by examiner

FIG. 1

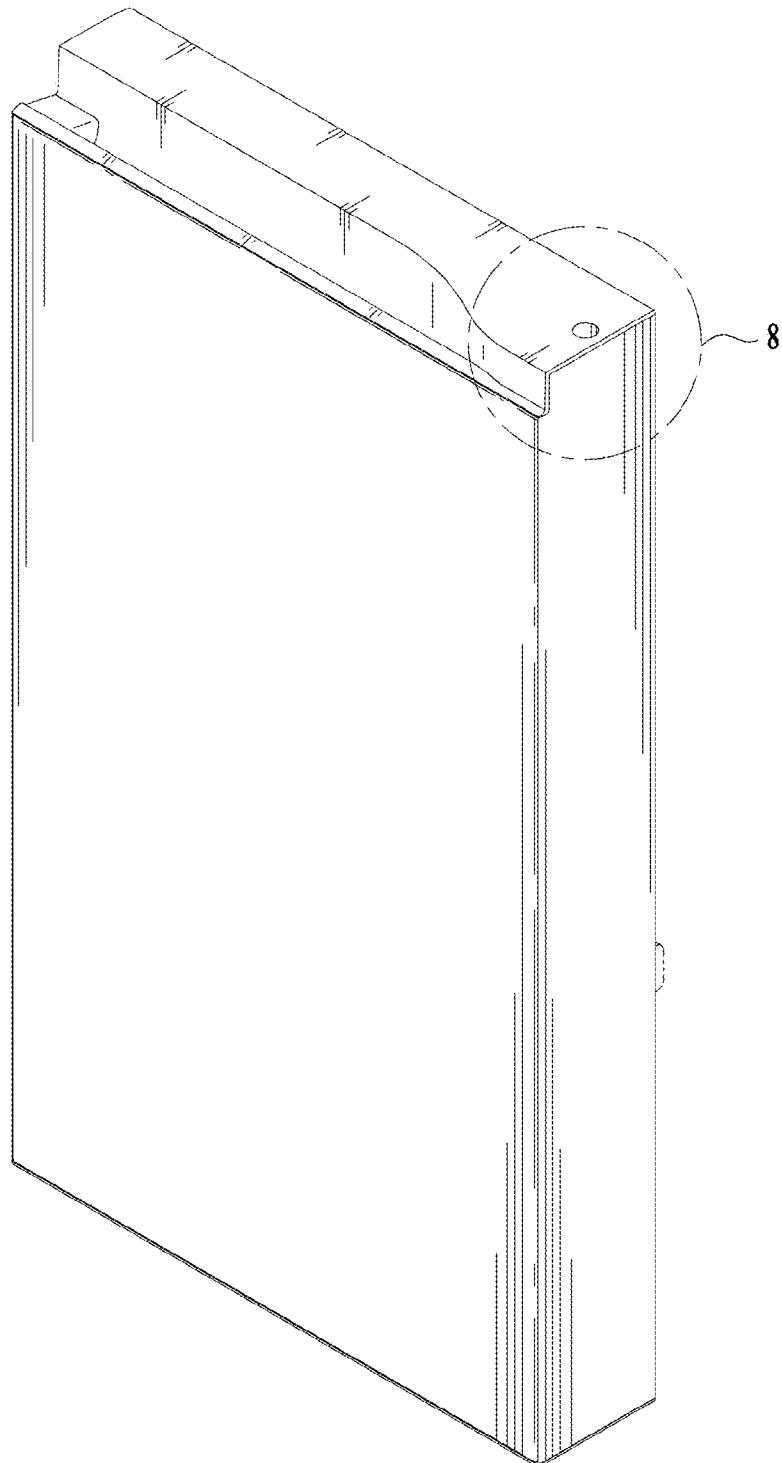


FIG. 2

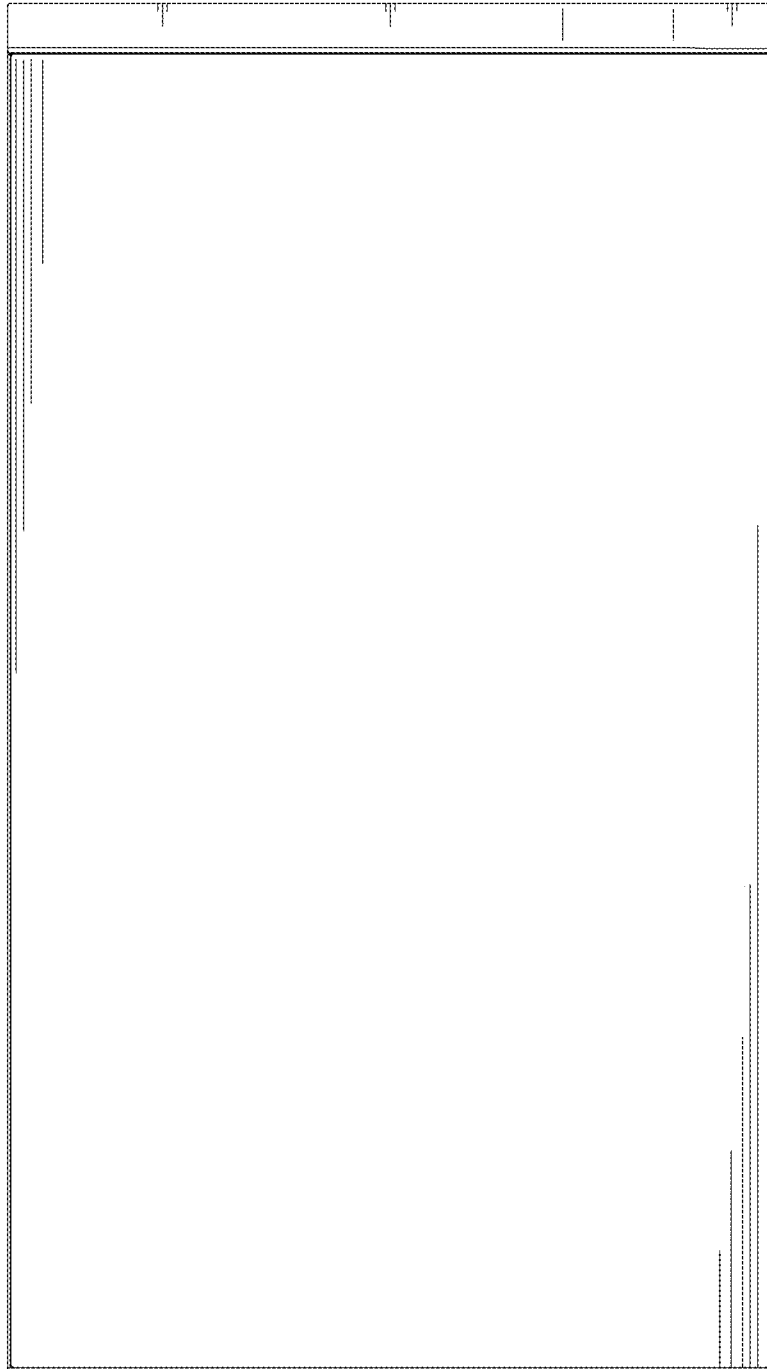


FIG. 3

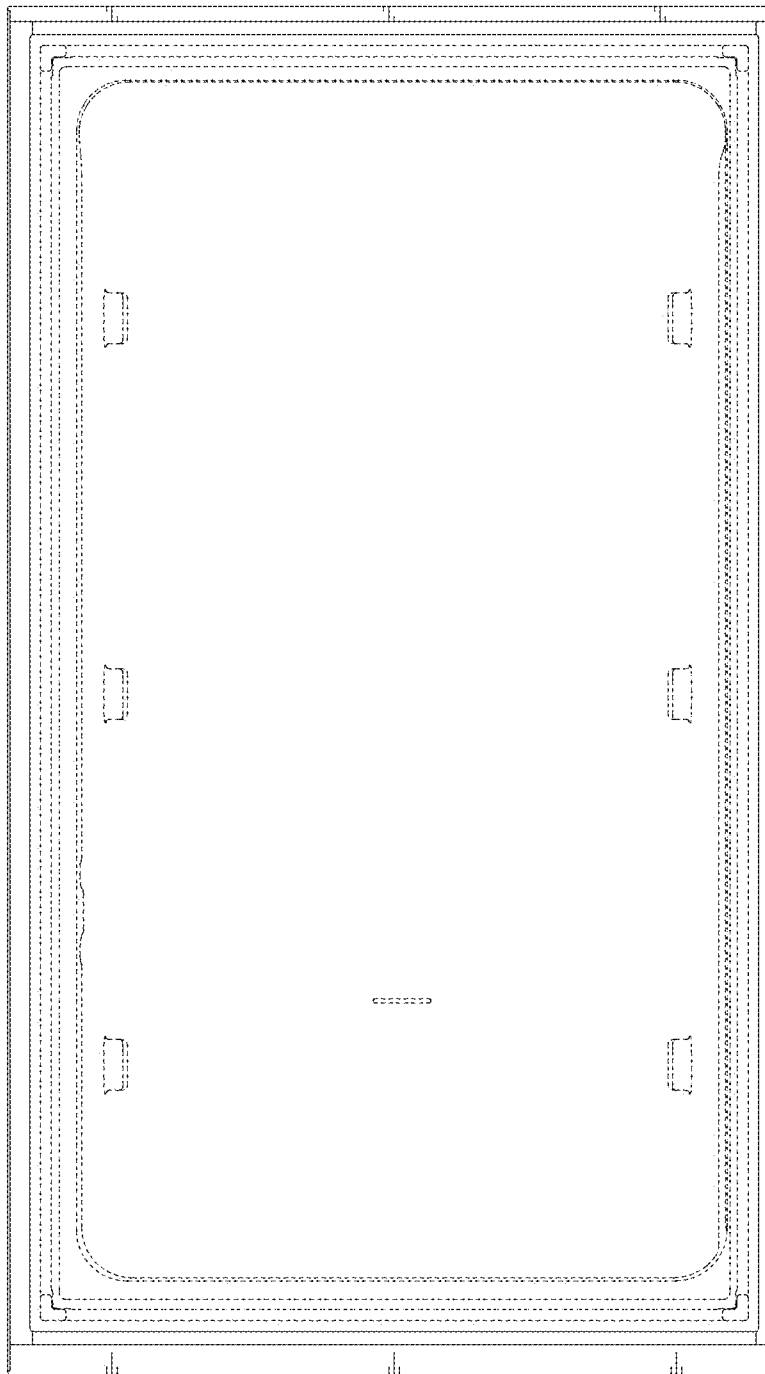


FIG. 4

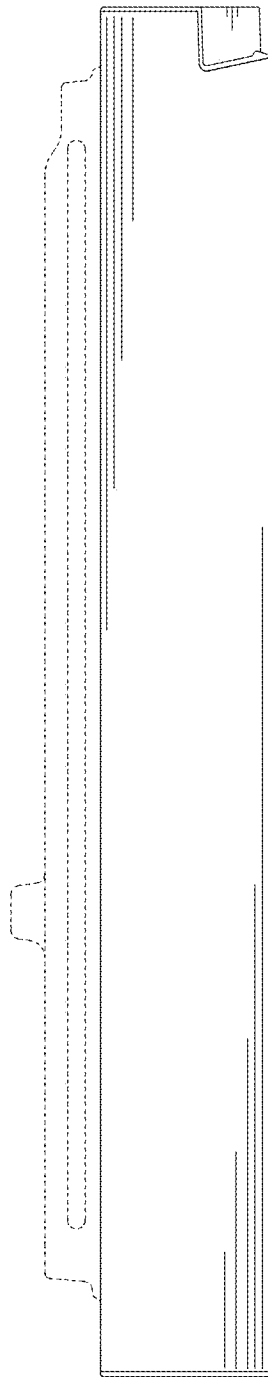


FIG. 5

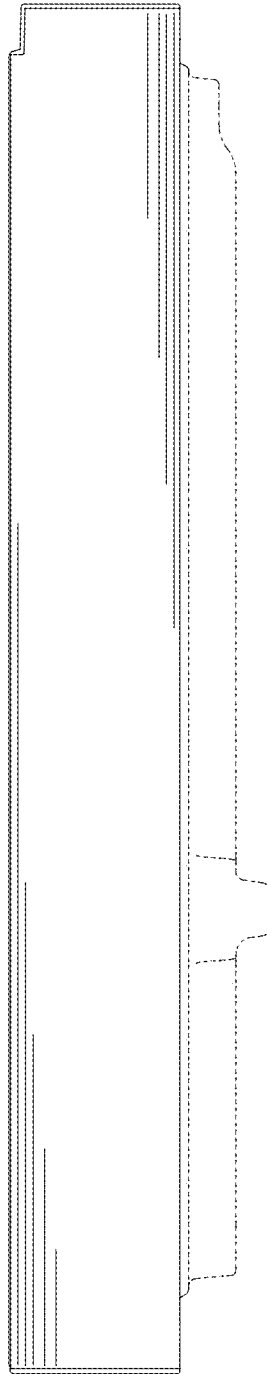


FIG. 6

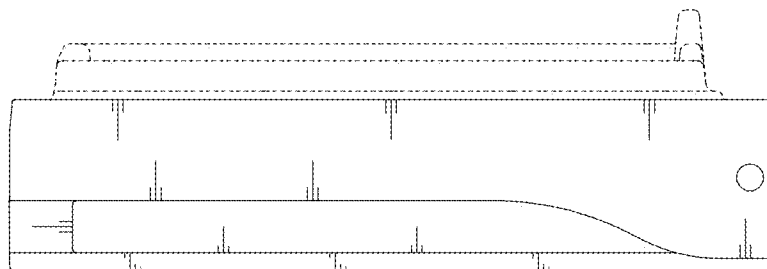


FIG. 7

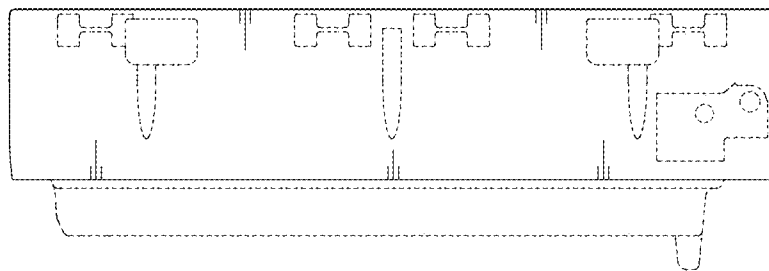


FIG. 8

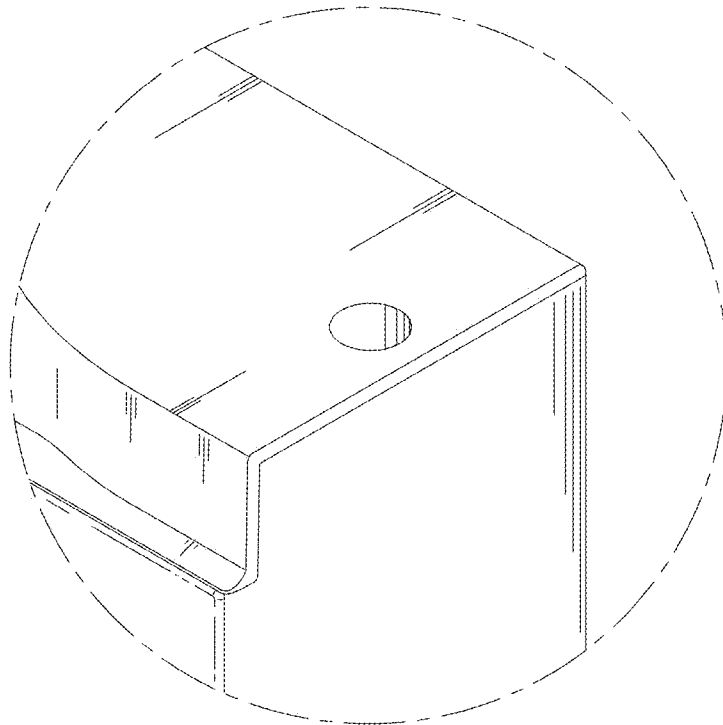


FIG. 9

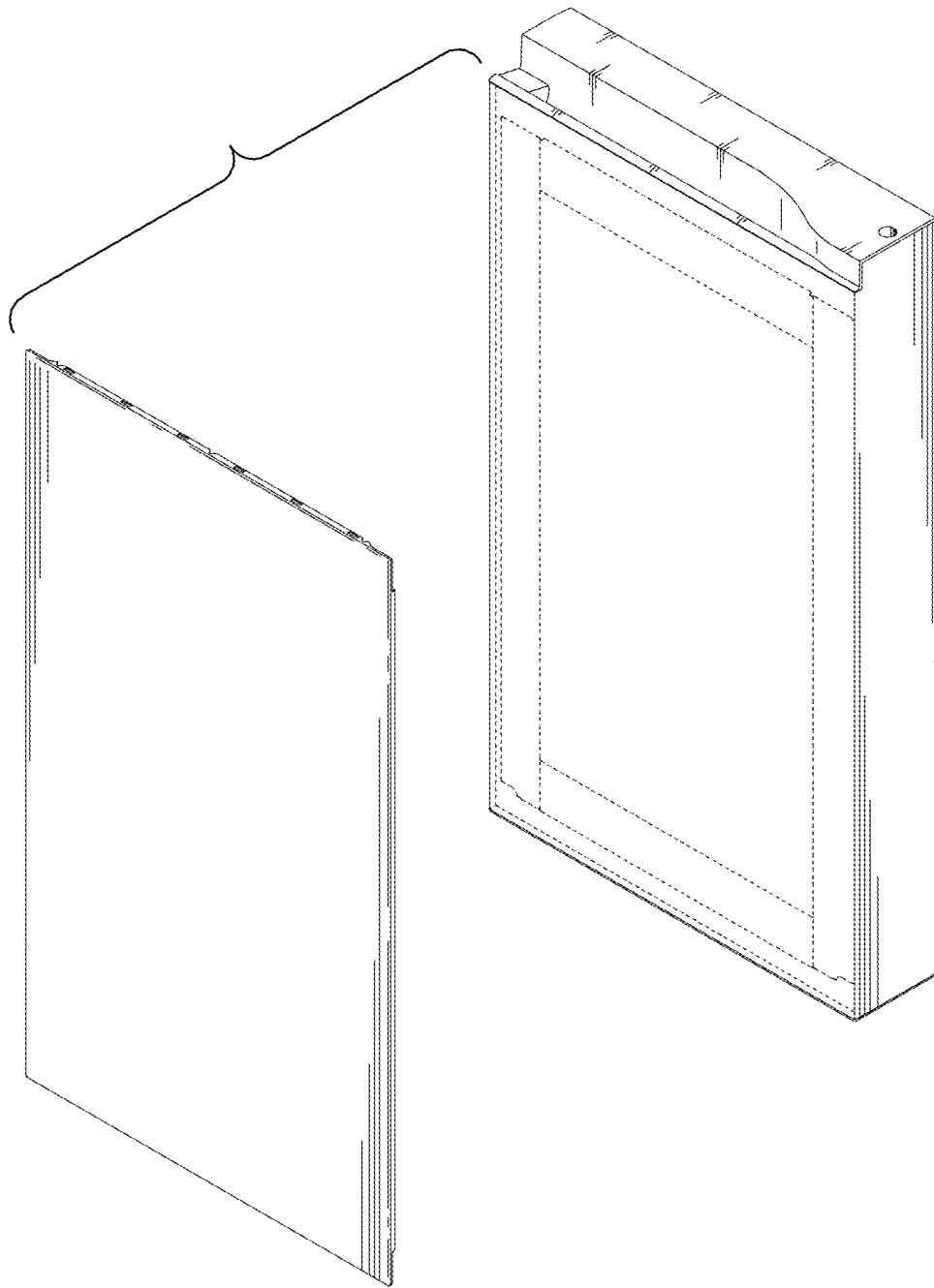


FIG. 10

