



US00D719385S

(12) **United States Design Patent**  
**Watson**

(10) **Patent No.:** **US D719,385 S**

(45) **Date of Patent:** **\*\* Dec. 16, 2014**

(54) **ADJUSTABLE TABLE**

(71) Applicant: **Matthew Alford Watson**, Tyler, TX  
(US)

(72) Inventor: **Matthew Alford Watson**, Tyler, TX  
(US)

(73) Assignee: **Matthew Alford Watson**, Tyler, TX  
(US)

(\*\*) Term: **14 Years**

(21) Appl. No.: **29/442,062**

(22) Filed: **Nov. 29, 2012**

(51) **LOC (10) Cl.** ..... **06-06**

(52) **U.S. Cl.**  
USPC ..... **D6/708**

(58) **Field of Classification Search**  
USPC ..... D6/691, 691.8, 691.9, 691.3, 708,  
D6/708.16, 688, 708.1; 108/151, 153.1,  
108/155, 156, 157.1, 158.12, 161; 248/188,  
248/188.1

See application file for complete search history.

(56) **References Cited**

U.S. PATENT DOCUMENTS

D140,134 S \* 1/1945 Whitehead ..... D6/451  
D651,431 S \* 1/2012 Udagawa et al. .... D6/495

\* cited by examiner

*Primary Examiner* — Janice Seeger

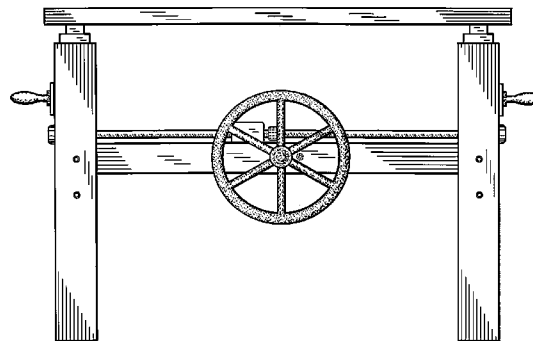
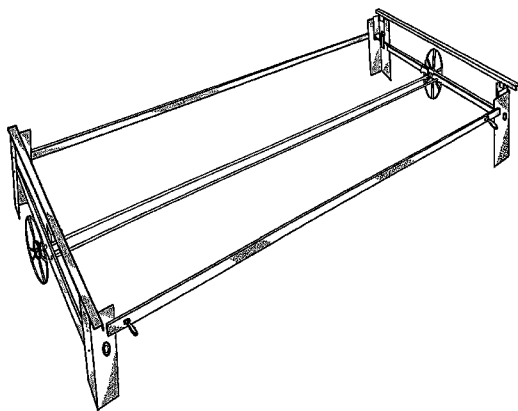
(57) **CLAIM**

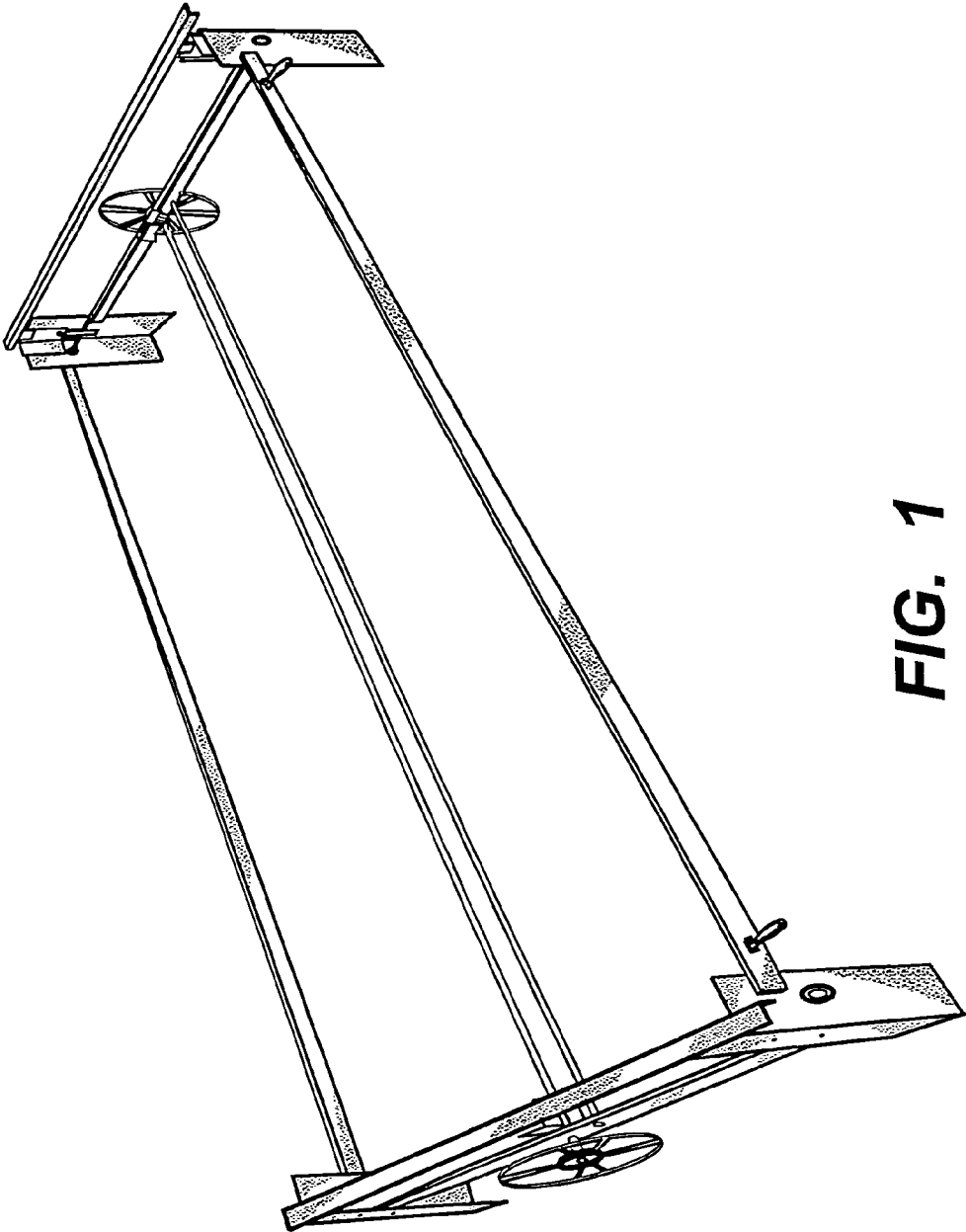
The ornamental design for an adjustable table, as shown and described.

**DESCRIPTION**

FIG. 1, is an isometric view of the new adjustable table, showing the legs and associated hand gears;  
FIG. 2, is a front elevational view of the table thereof;  
FIG. 3, is a back elevational view of the table thereof; and,  
FIG. 4, is side view of the table thereof, being identical on both sides.

**1 Claim, 4 Drawing Sheets**





**FIG. 1**

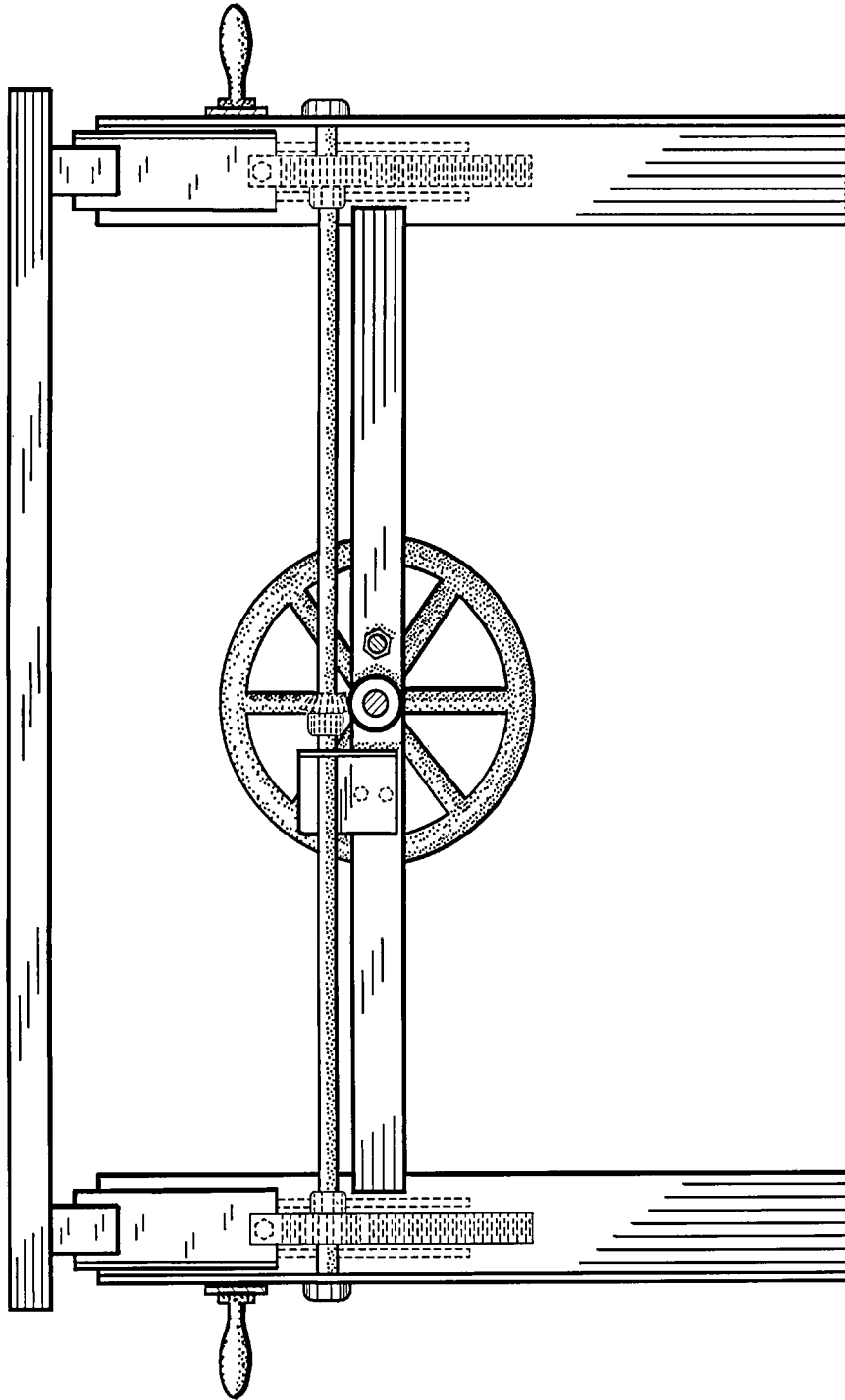


FIG. 2

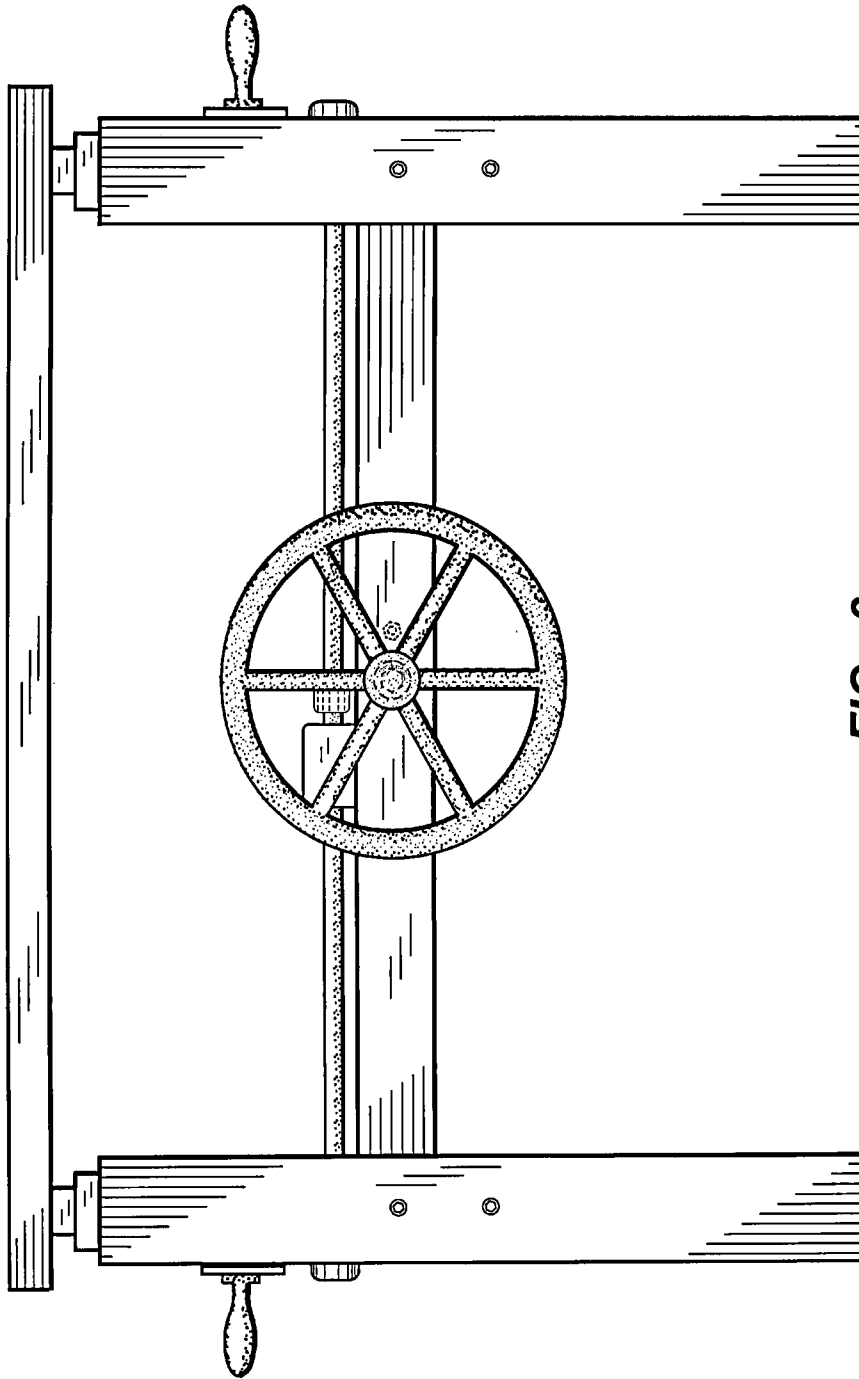


FIG. 3

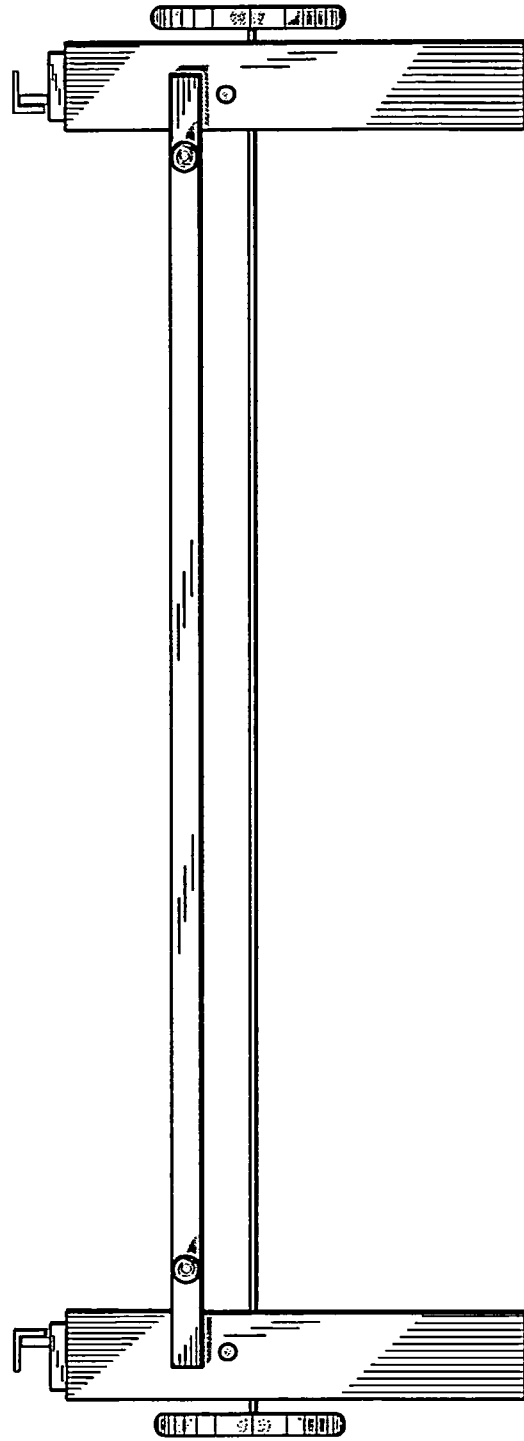


FIG. 4