



US00D343301S

# United States Patent [19]

[11] Patent Number: Des. 343,301

Bennett

[45] Date of Patent: \*\* Jan. 18, 1994

[54] FOLDING, COLLAPSIBLE AND HIDEABLE DINETTE SET

Primary Examiner—Brian N. Vinson  
Attorney, Agent, or Firm—George W. Dishong

[76] Inventor: Norman A. Bennett, Dodge Hill Rd., Bennington, N.H. 03442

[57] CLAIM

The ornamental design for a folding, collapsible and hideable dinette set, as shown and described.

[\*\*] Term: 14 Years

[21] Appl. No.: 867,784

### DESCRIPTION

[22] Filed: Apr. 10, 1992

FIG. 1 is a top, front, and left side perspective view of a folding, collapsible and hideable dinette set showing my new design;

[52] U.S. Cl. .... D6/337

FIG. 2 is a top, front, and left side perspective view thereof, with the set shown fully closed;

[58] Field of Search ..... D6/553, 555, 567, 574, D6/336-338, 397; 297/118-119, 135, 157-159; 108/115, 59, 111

FIG. 3 is a front elevational view thereof;

### [56] References Cited

#### U.S. PATENT DOCUMENTS

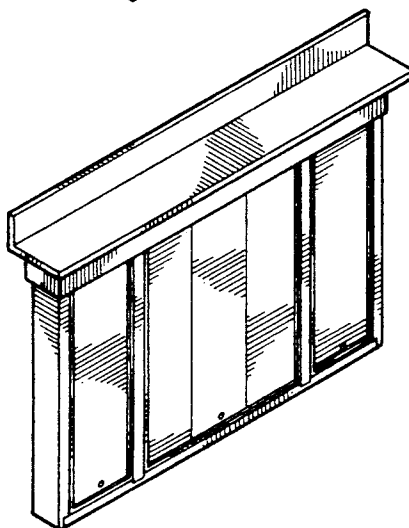
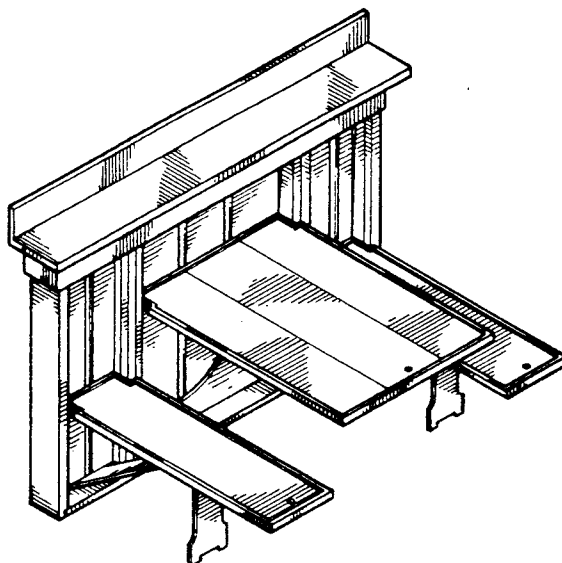
D. 331,505	12/1992	Sylvester	.....	D6/397 X
4,076,305	2/1978	Sullivan	.....	297/157
4,653,804	3/1987	Yoo et al.	.....	297/159

FIG. 4 is a right side elevational view thereof, the left side being a mirror image of that shown;

FIG. 5 is a top plan view thereof;

FIG. 6 is a bottom plan view thereof; and,

FIG. 7 is a rear elevational view thereof.



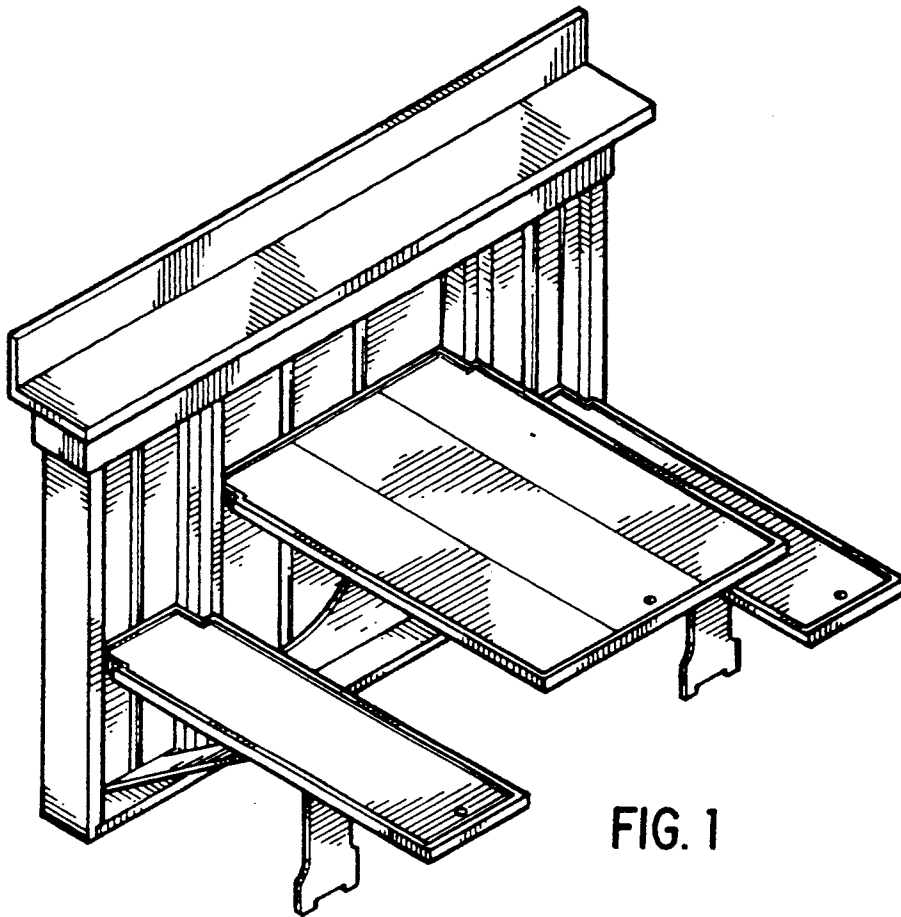


FIG. 1

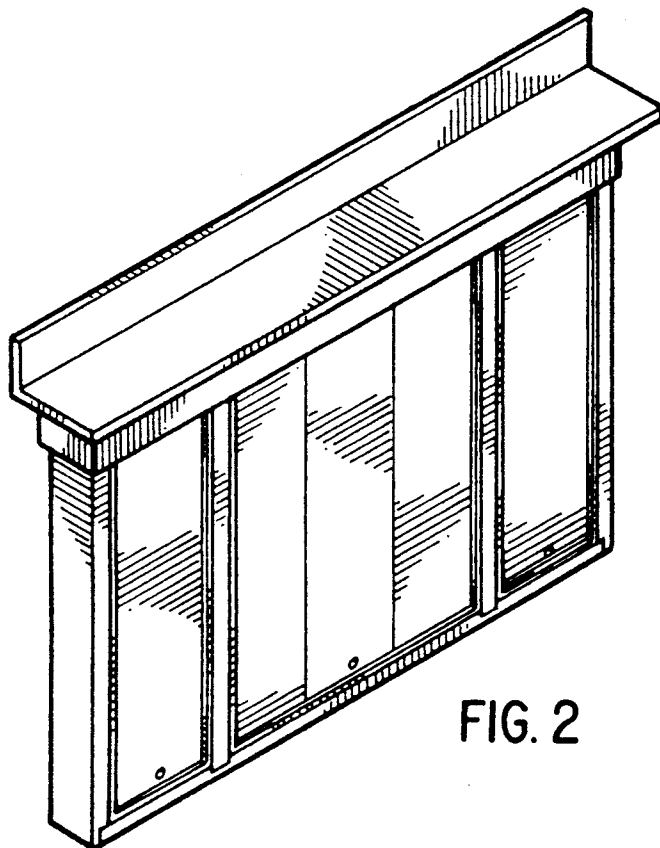


FIG. 2

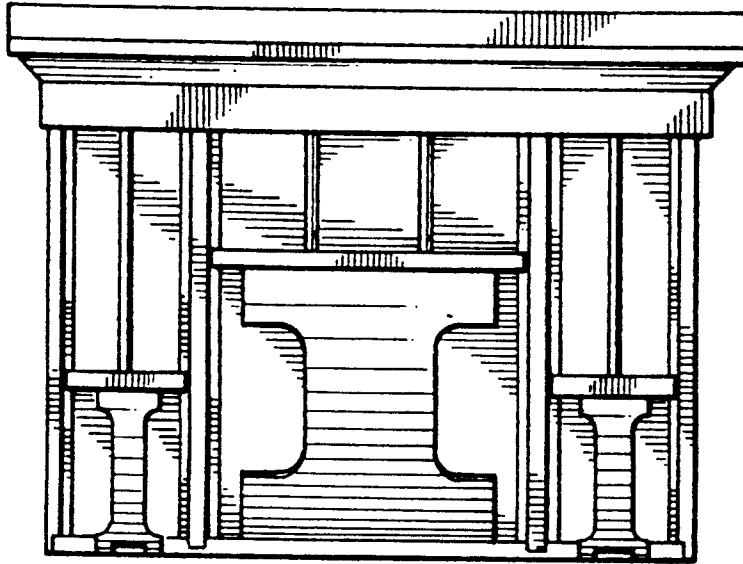


FIG. 3

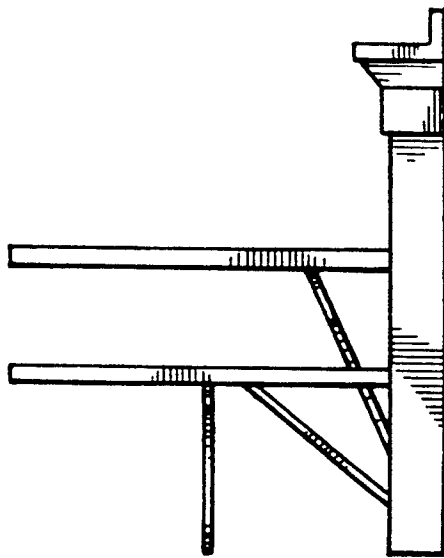


FIG. 4

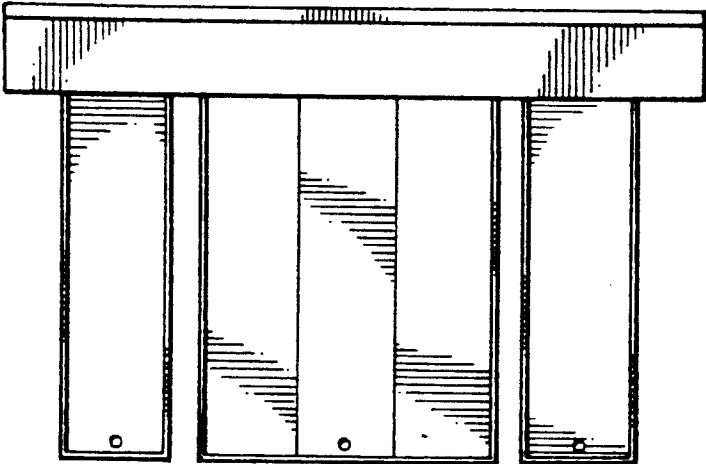


FIG. 5

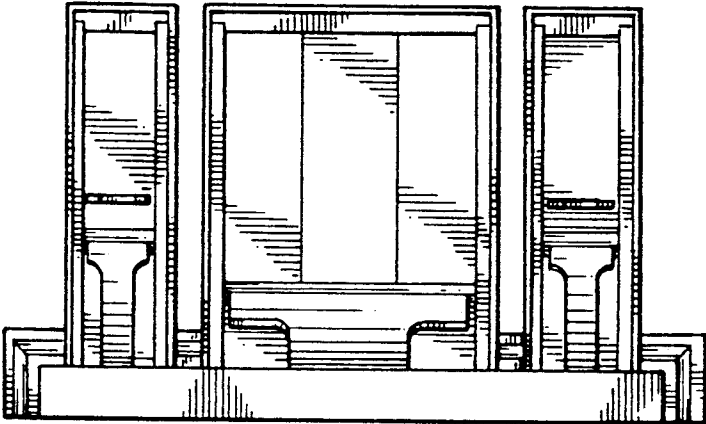


FIG. 6

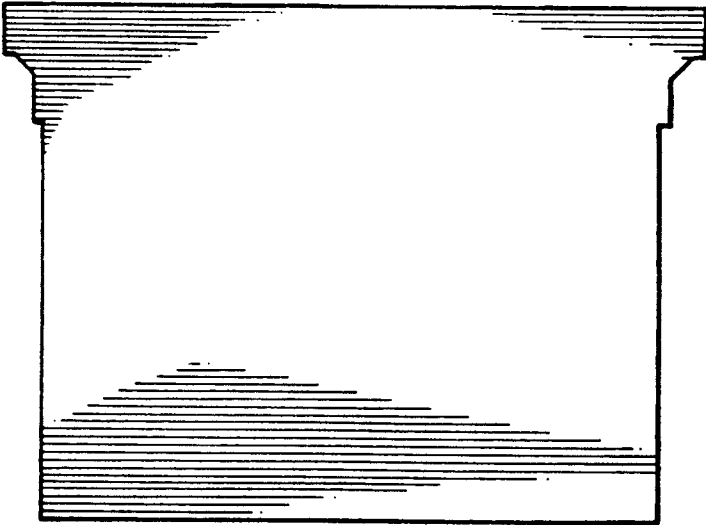


FIG. 7