



US0D1024487S

(12) **United States Design Patent**
Sumners

(10) **Patent No.:** **US D1,024,487 S**

(45) **Date of Patent:** **** Apr. 30, 2024**

(54) **PET TREAT**

(71) Applicant: **Spectrum Brands, Inc.**, Middleton, WI (US)

(72) Inventor: **Lindsay Sumners**, Middleton, WI (US)

(73) Assignee: **Spectrum Brands, Inc.**, Middleton, WI (US)

(**) Term: **15 Years**

(21) Appl. No.: **29/884,752**

(22) Filed: **Feb. 15, 2023**

(51) **LOC (14) Cl.** **01-01**

(52) **U.S. Cl.**
USPC **D1/106**

(58) **Field of Classification Search**

USPC D1/100-130, 199; 426/5, 76, 87, 92, 94,
426/95, 99, 101, 103, 108, 138-139, 143,
426/144, 279, 282, 283, 391, 514, 549,
426/660; D13/100; D24/101-104;
D28/8.1; 424/467; 425/195; D4/101,
D4/104, 105; D6/601; D9/453
CPC .. A61K 9/2072; A61K 9/0004; A61K 9/2095;
A61K 9/209

See application file for complete search history.

(56) **References Cited**

U.S. PATENT DOCUMENTS

D446,903 S * 8/2001 Pavan D1/106
D494,733 S * 8/2004 Creo D1/111

D592,273 S * 5/2009 Eisch D23/207
D613,026 S * 4/2010 Fitzpatrick D1/106
D643,176 S * 8/2011 Pavan D1/106
D643,177 S * 8/2011 de Socio D1/106
D695,488 S * 12/2013 Lowry D1/106
D771,899 S * 11/2016 Wehling D1/127
D798,525 S * 10/2017 Guidolin D1/128
D812,841 S * 3/2018 Adams D1/128
D844,282 S * 4/2019 Rana D1/126
D915,732 S * 4/2021 Bauer D1/127
D979,179 S * 2/2023 Tulli D1/127

* cited by examiner

Primary Examiner — Katie Jane Stofko

(74) *Attorney, Agent, or Firm* — Merchant & Gould P.C.

(57) **CLAIM**

The ornamental design for a pet treat, as shown and described.

DESCRIPTION

FIG. 1 is a perspective view of a pet treat, according to the new design;
FIG. 2 is a left side view thereof;
FIG. 3 is a right side view thereof;
FIG. 4. is a top plan view thereof;
FIG. 5 is a bottom plan view thereof;
FIG. 6 is a front view thereof; and,
FIG. 7 is a back view thereof.

1 Claim, 7 Drawing Sheets

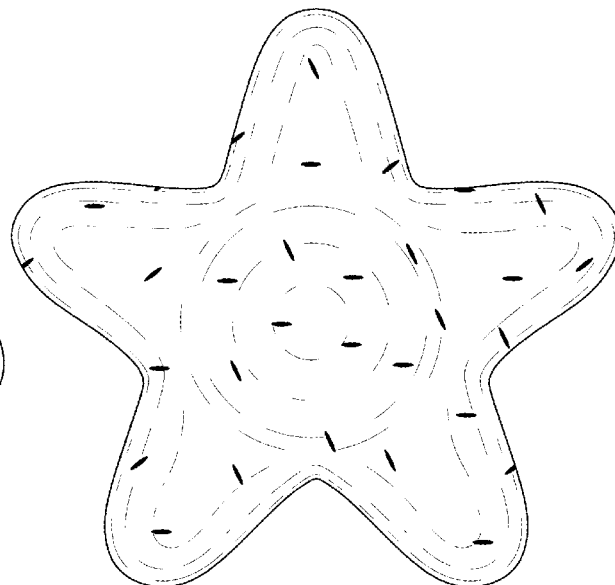
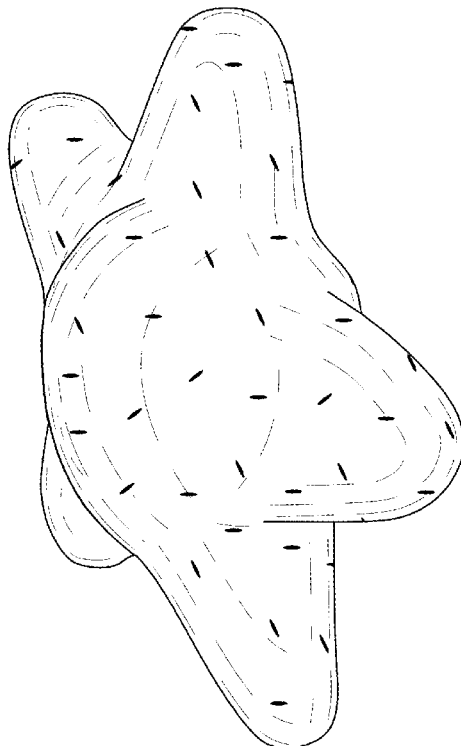


FIG. 1

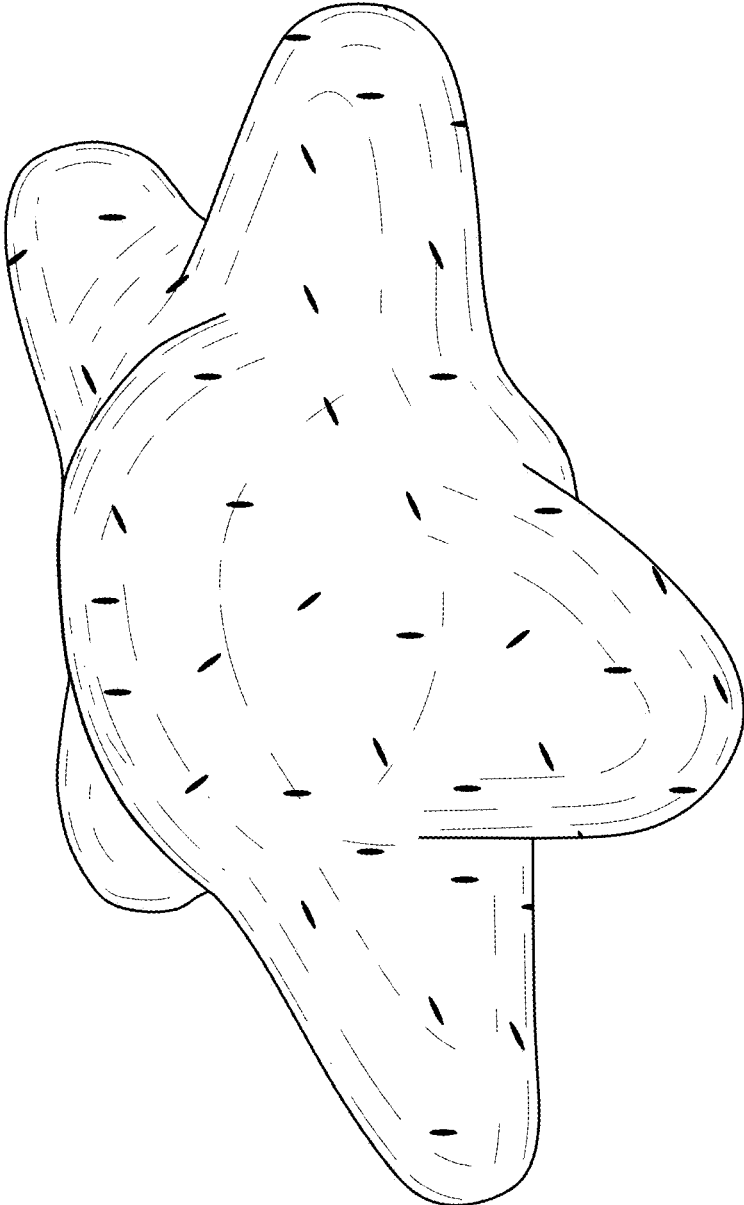


FIG. 2

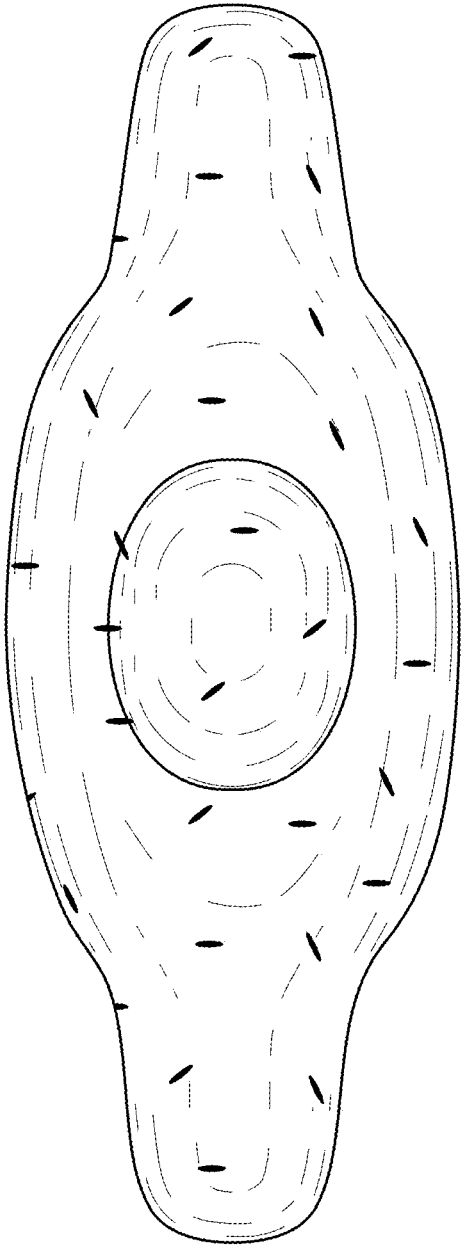


FIG. 3

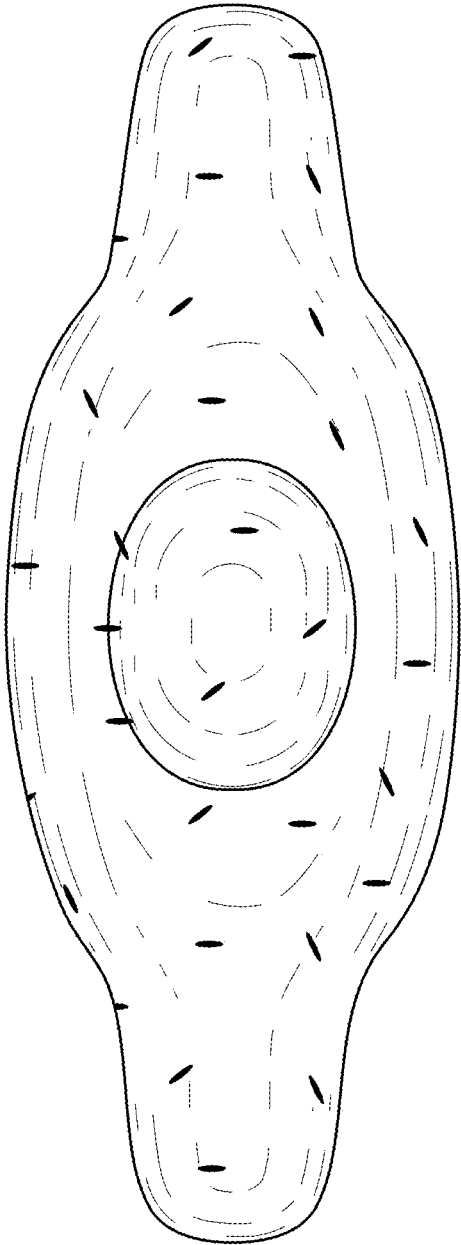


FIG. 4

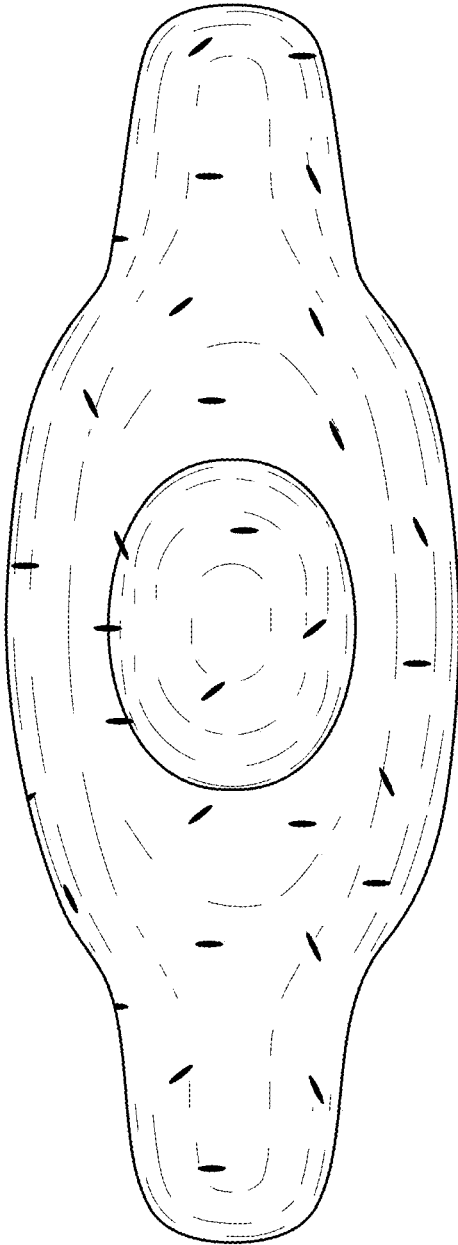


FIG. 5

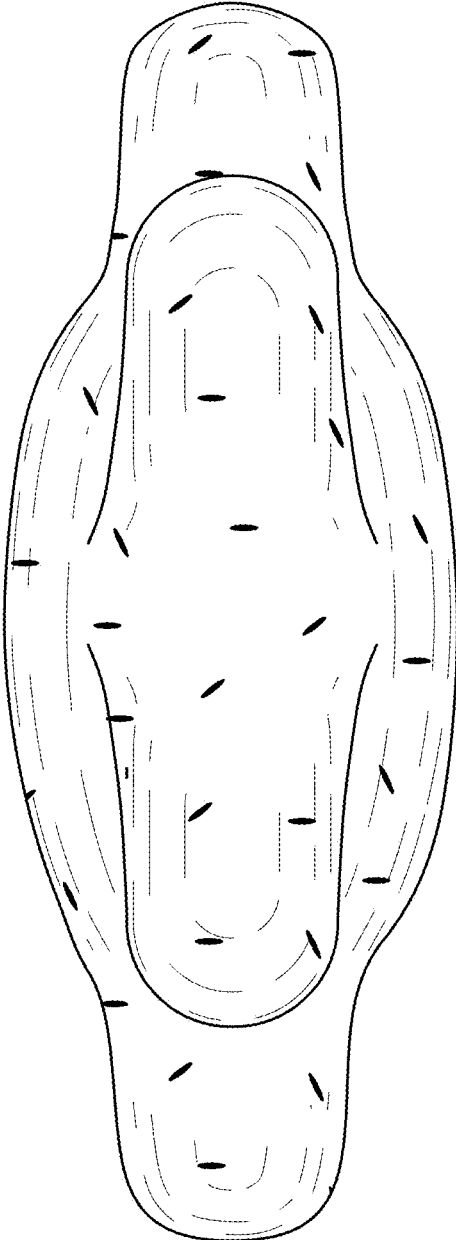


FIG. 6

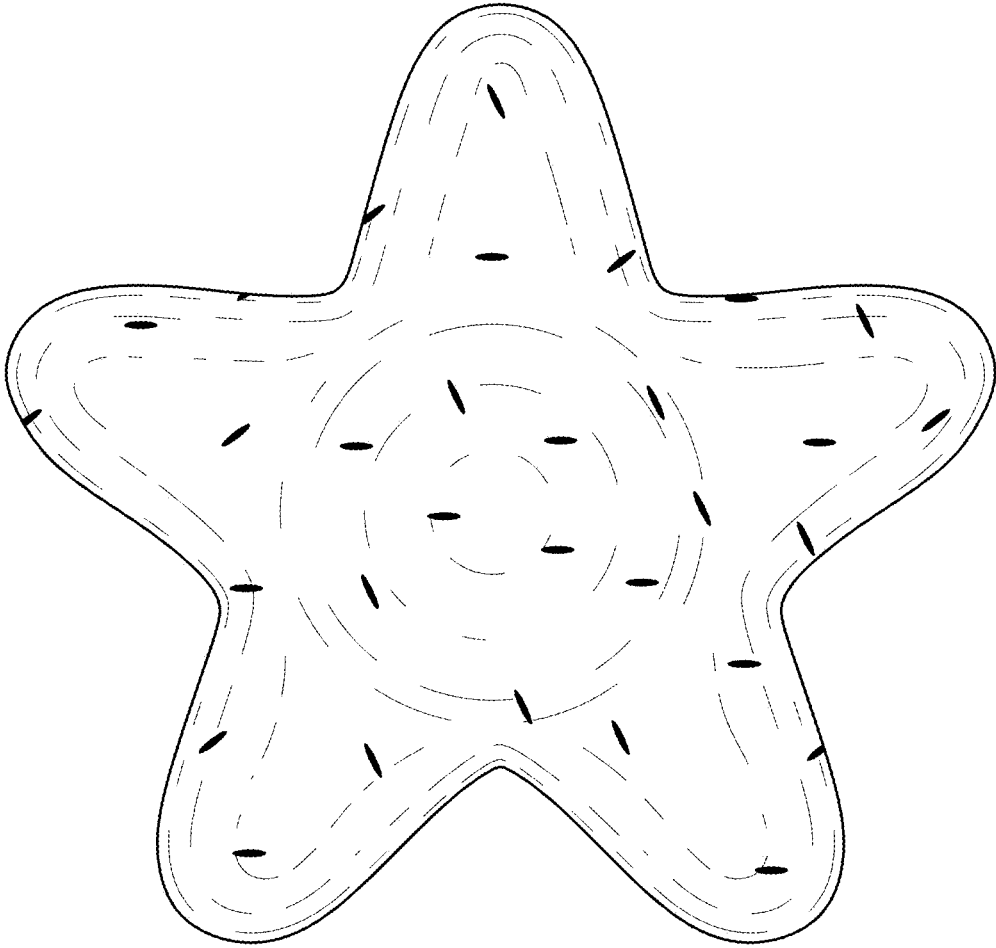


FIG. 7

