



US00D769417S

(12) **United States Design Patent**  
**Rexach**

(10) **Patent No.:** **US D769,417 S**

(45) **Date of Patent:** **\*\* Oct. 18, 2016**

(54) **FAUCET**

(71) Applicant: **Kohler Co.**, Kohler, WI (US)

(72) Inventor: **Rafael Alfredo Rexach**, Sheboygan, WI (US)

(73) Assignee: **KOHLER CO**, Kohler, WI (US)

(\*\*) Term: **14 Years**

(21) Appl. No.: **29/519,948**

(22) Filed: **Mar. 9, 2015**

(51) **LOC (10) Cl.** ..... **23-01**

(52) **U.S. Cl.**  
USPC ..... **D23/238**

(58) **Field of Classification Search**  
USPC ..... D23/238-243, 249-250, 252, 255, 257  
CPC ..... E03C 1/04; E03C 1/0401; E03C 1/0402;  
E03C 1/0404; F16K 31/602; F16K 31/605;  
F16K 31/607

See application file for complete search history.

(56) **References Cited**

**U.S. PATENT DOCUMENTS**

D466,987 S	12/2002	Smith	
D503,217 S	3/2005	Aubry et al.	
D527,794 S *	9/2006	Sieger .....	D23/238
D530,790 S	10/2006	Kohler, Jr. et al.	
D534,619 S	1/2007	Garner	
D534,993 S	1/2007	Kirar	
D563,192 S	3/2008	Barry	
D588,235 S	3/2009	Rexach	
D598,072 S *	8/2009	Zetsche .....	D23/238
D602,570 S	10/2009	Lammel et al.	
D605,261 S *	12/2009	Allard .....	D23/255
D615,162 S	5/2010	Pan	
D628,277 S	11/2010	Montgomery	

D645,941 S	9/2011	Ando et al.	
D689,987 S	9/2013	Kington et al.	
8,567,430 B2 *	10/2013	Allen .....	F16K 31/602 137/315.15
D720,432 S	12/2014	Hundley et al.	

**OTHER PUBLICATIONS**

US Notice of Allowance on U.S. Appl. No. 29/519,944 dated Mar. 3, 2016.

\* cited by examiner

*Primary Examiner* — Robert Delehanty

(74) *Attorney, Agent, or Firm* — Foley & Lardner LLP

(57) **CLAIM**

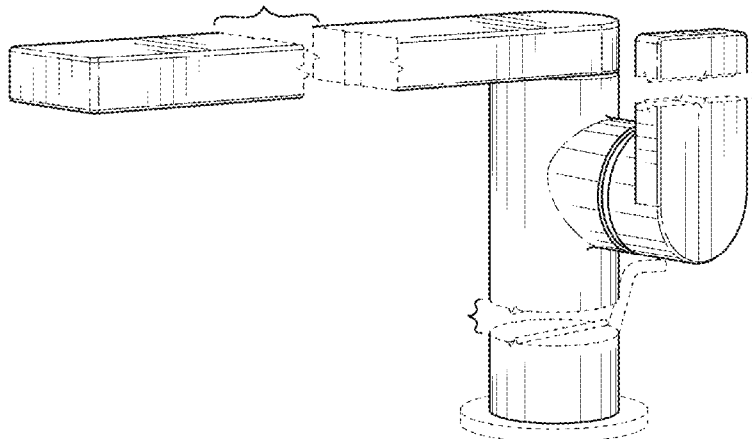
I claim the ornamental design for a faucet, as shown and described.

**DESCRIPTION**

FIG. 1 is a top, front, right perspective view of an embodiment of the claimed design;  
FIG. 2 is a front elevation view thereof;  
FIG. 3 is a rear elevation view thereof;  
FIG. 4 is a left elevation view thereof;  
FIG. 5 is a right elevation view thereof;  
FIG. 6 is a top, plan view thereof; and,  
FIG. 7 is a bottom, plan view thereof.

The ornamental design which is claimed is shown in solid lines in the drawings. The broken lines in the drawings form no part of the claimed design. Broken lines formed by equal length dashes show unclaimed subject matter. Broken away symbols having a jagged element show that no particular length of the portion is claimed.

**1 Claim, 4 Drawing Sheets**



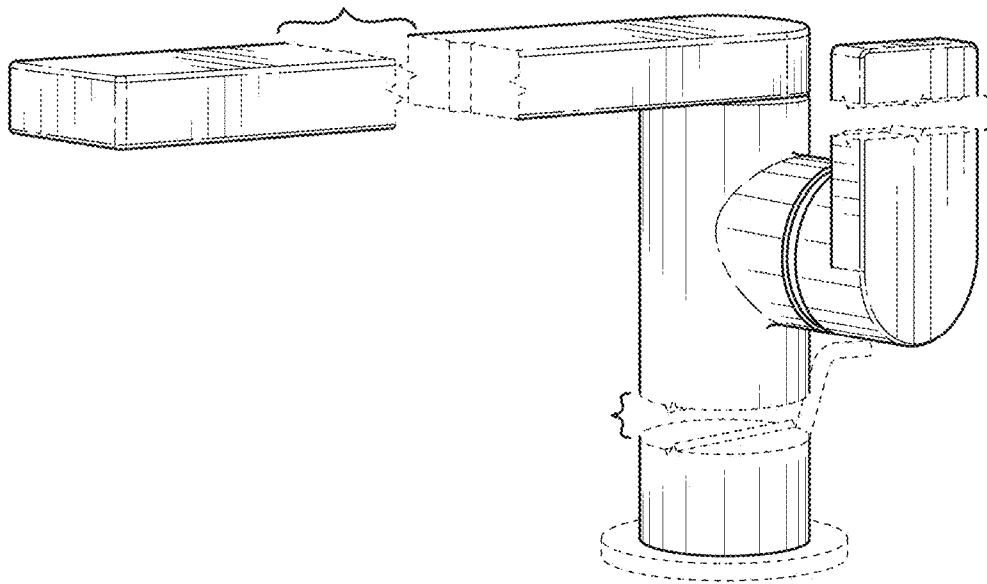


FIG. 1

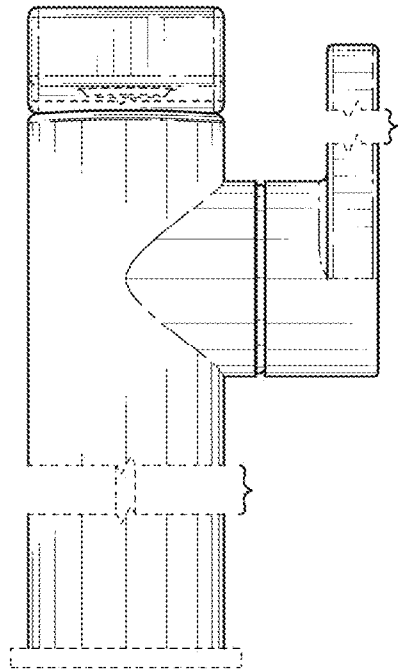


FIG. 2

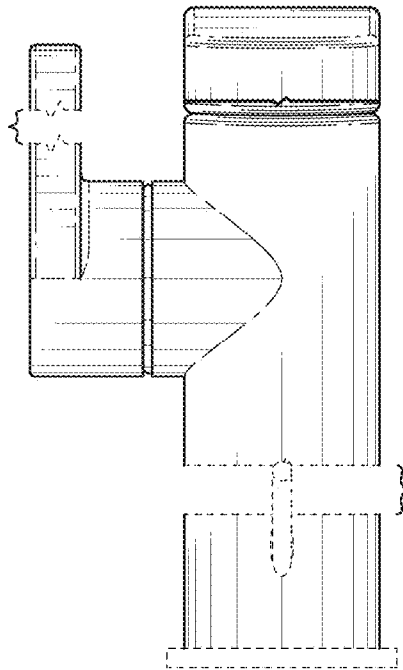


FIG. 3

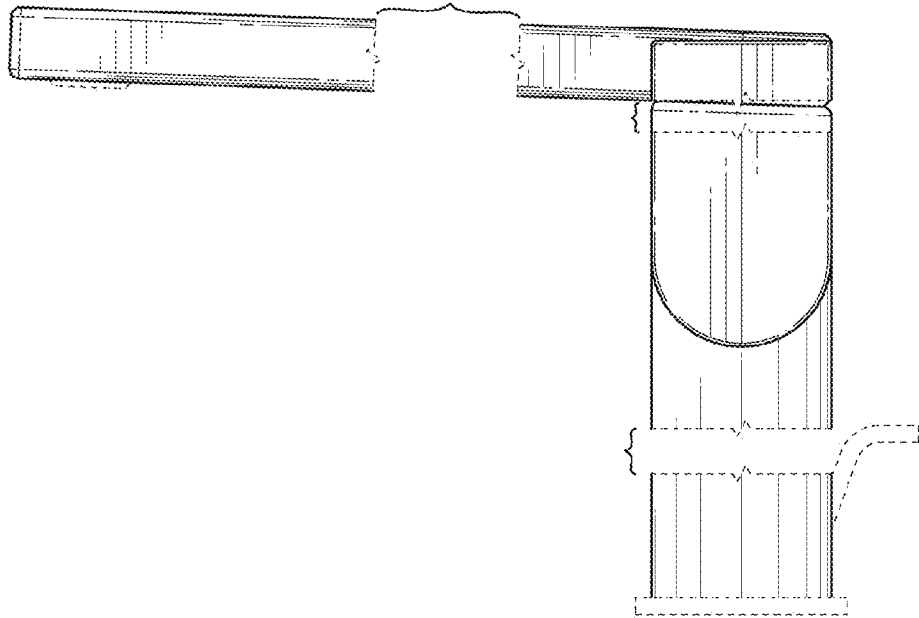


FIG. 4

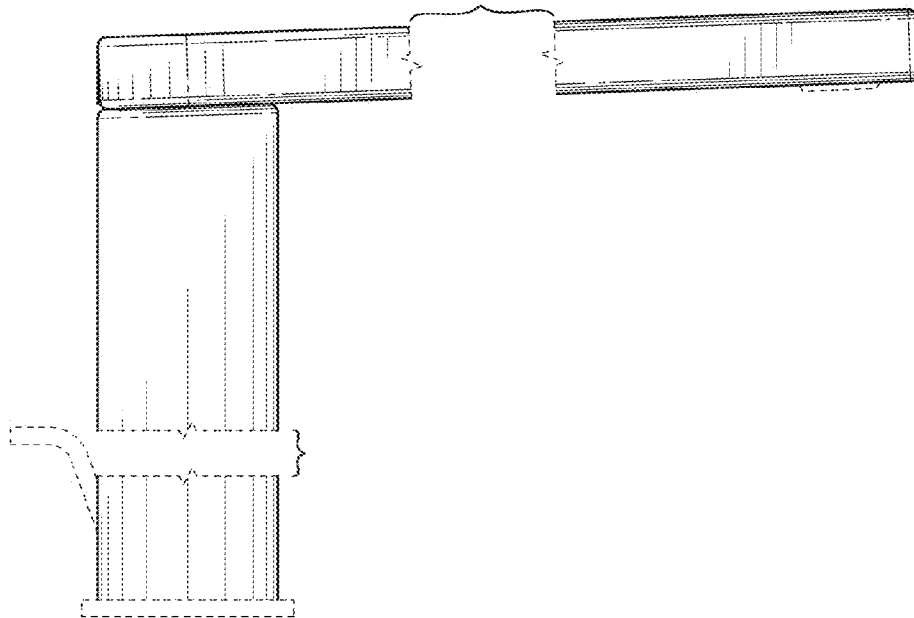


FIG. 5

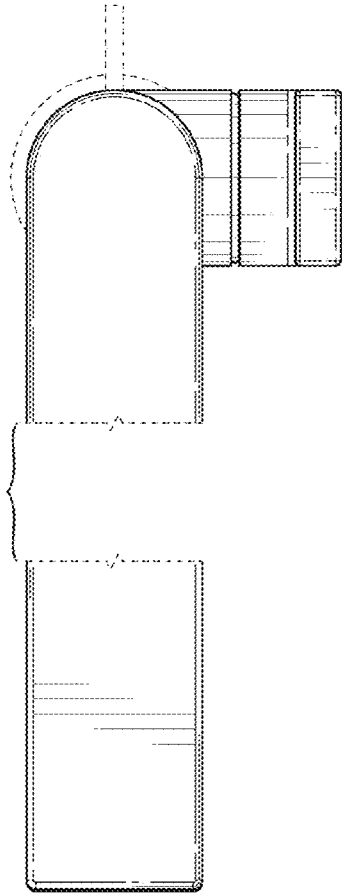


FIG. 6

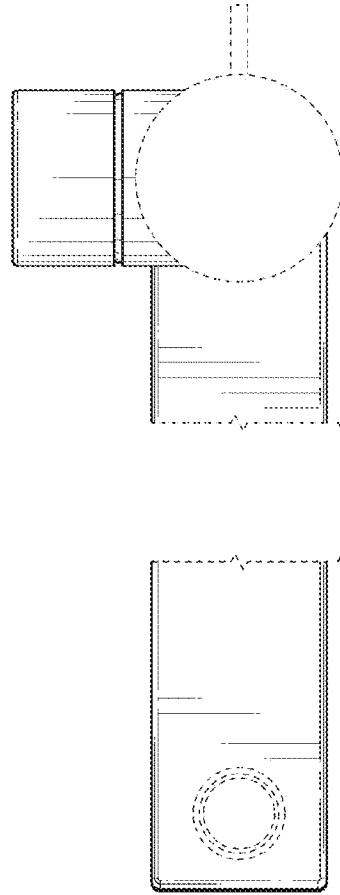


FIG. 7