



US0D1037486S

(12) **United States Design Patent**
Bulloch et al.

(10) **Patent No.:** **US D1,037,486 S**
(45) **Date of Patent:** **** Jul. 30, 2024**

- (54) **CASSETTE CLAMP FOR ELECTROPHORESIS GEL CASTING**
- (71) Applicant: **Life Technologies Corporation**,
Carlsbad, CA (US)
- (72) Inventors: **Kyle Bulloch**, San Diego, CA (US);
Xin Mathers, Poway, CA (US)
- (73) Assignee: **LIFE TECHNOLOGIES CORPORATION**, Carlsbad, CA (US)
- (**) Term: **15 Years**
- (21) Appl. No.: **29/830,227**
- (22) Filed: **Mar. 10, 2022**

8,329,030 B2 * 12/2012 Childers B01D 61/244
417/477.2

D695,418 S * 12/2013 Updyke D24/233

D711,004 S * 8/2014 Chen D24/186

D734,856 S * 7/2015 Weichert D24/186

D748,806 S * 2/2016 Coonahan D24/186

D748,815 S * 2/2016 Murray D24/233

D792,603 S * 7/2017 Bulloch D24/233

(Continued)

Related U.S. Application Data

- (62) Division of application No. 29/694,184, filed on Jun. 7, 2019, now Pat. No. Des. 948,074, which is a division of application No. 29/545,635, filed on Nov. 13, 2015, now Pat. No. Des. 856,528.
- (51) **LOC (14) Cl.** **24-99**
- (52) **U.S. Cl.**
USPC **D24/233**
- (58) **Field of Classification Search**
USPC D24/216, 222, 224–227, 231–233;
D10/81
CPC B01D 57/02; G01N 27/447; G01N
27/44704; G01N 27/44717; G01N
27/44721
See application file for complete search history.

References Cited

U.S. PATENT DOCUMENTS

- 4,715,942 A * 12/1987 Tezuka G01N 27/44756
D24/233
- D569,521 S * 5/2008 Omaki D24/186
- D627,883 S * 11/2010 Hayashi D24/138

OTHER PUBLICATIONS

Protein Gel Electrophoresis Tank. Online, published date unknown. Retrieved on Nov. 10, 2023 from URL: <https://vitechltd.vn/en/protein-gel-electrophoresis-tank.html>.*

Primary Examiner — Omeed Agilee
(74) *Attorney, Agent, or Firm* — Priya D. Subramony

(57) **CLAIM**

The ornamental design for a cassette clamp for electrophoresis gel casting, as shown and described.

DESCRIPTION

This application is related to U.S. Design patent application Ser. No. 29/545,637, filed Nov. 13, 2015, entitled “Rig for Electrophoresis Gel Casting,” the entire contents of each of which are incorporated by reference herein.

FIG. 1 is a front perspective view of a cassette clamp for electrophoresis gel casting showing our new design.

FIG. 2 is a back perspective view thereof.

FIG. 3 is a front view thereof.

FIG. 4 is a back view thereof.

FIG. 5 is a right side view thereof

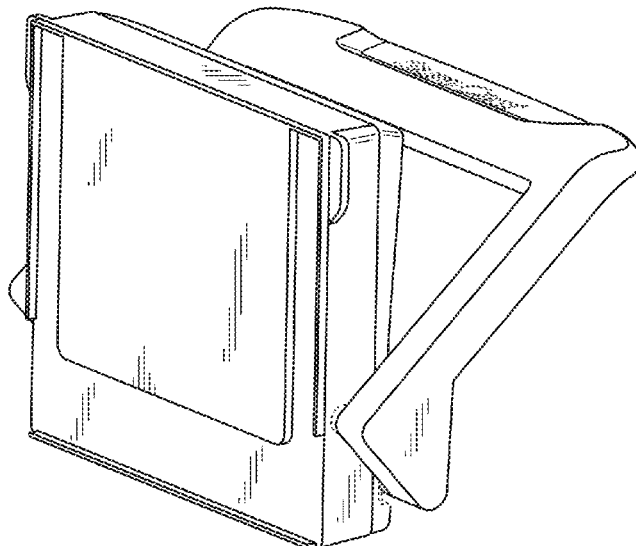
FIG. 6 is a left side view thereof.

FIG. 7 is a top view thereof; and,

FIG. 8 is a bottom view thereof.

The broken lines in the drawings depict portions of the cassette clamp for electrophoresis gel casting that form no part of the claimed design.

1 Claim, 4 Drawing Sheets



(56)

References Cited

U.S. PATENT DOCUMENTS

D851,278	S	*	6/2019	Bulloch	D24/233
D851,779	S	*	6/2019	Bulloch	D24/233
D856,528	S	*	8/2019	Bulloch	D24/233
D883,516	S	*	5/2020	Bulloch	D24/233
D948,074	S	*	4/2022	Bulloch	D24/227
D999,425	S	*	9/2023	Taylor	D24/224
2011/0265497	A1	*	11/2011	Westerhoff	B01L 7/00 62/320

* cited by examiner

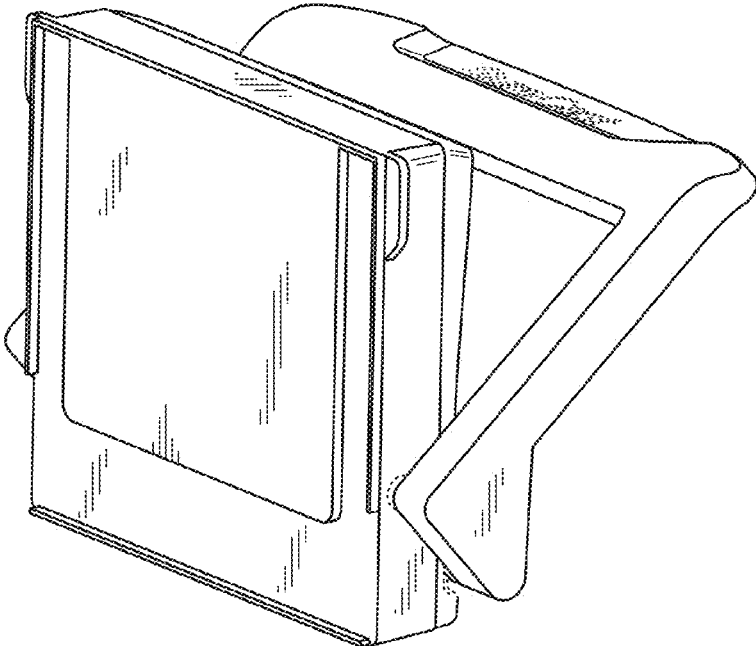


FIG. 1

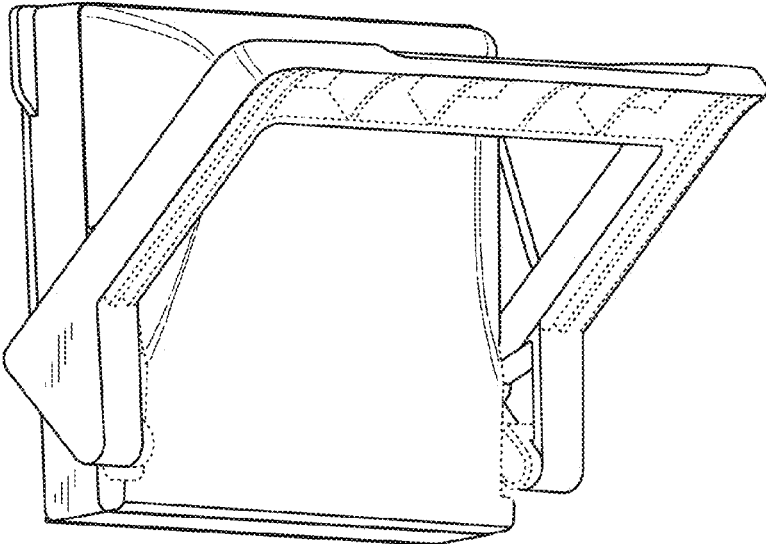


FIG. 2

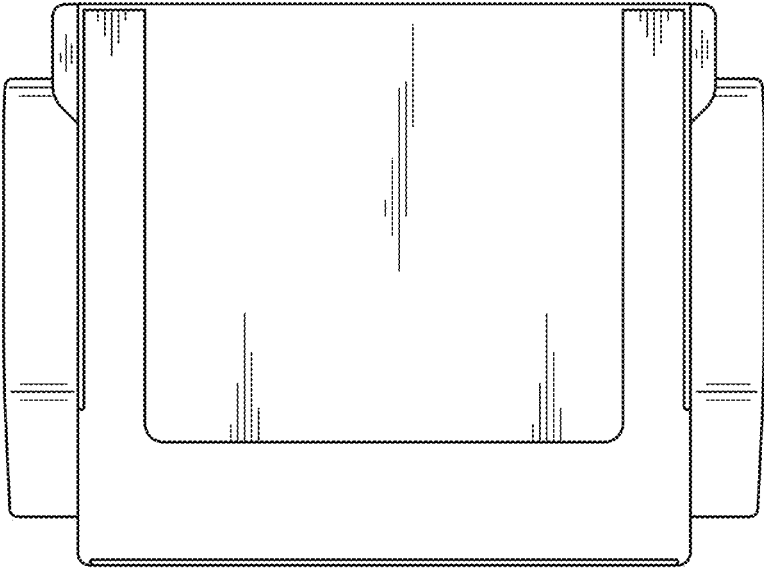


FIG. 3

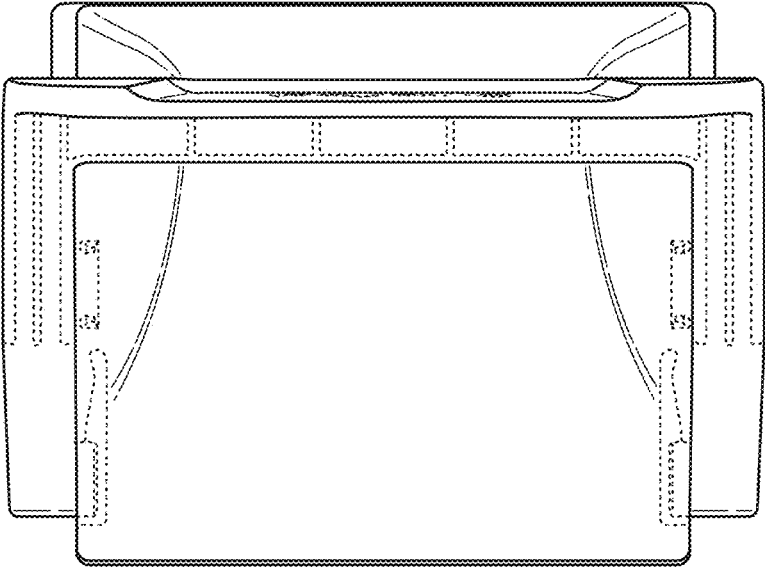


FIG. 4

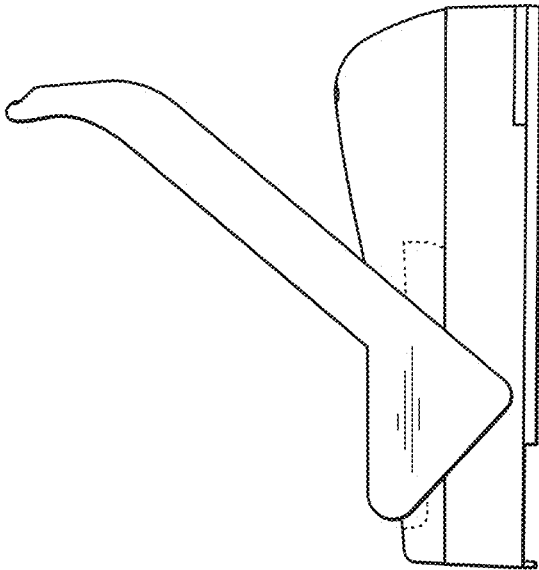


FIG. 5

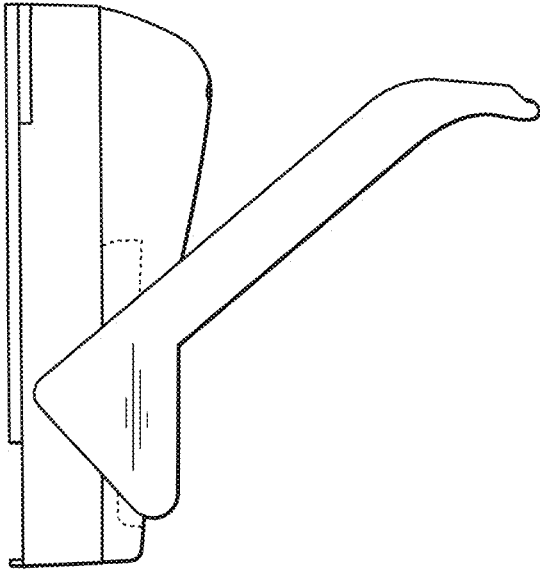


FIG. 6

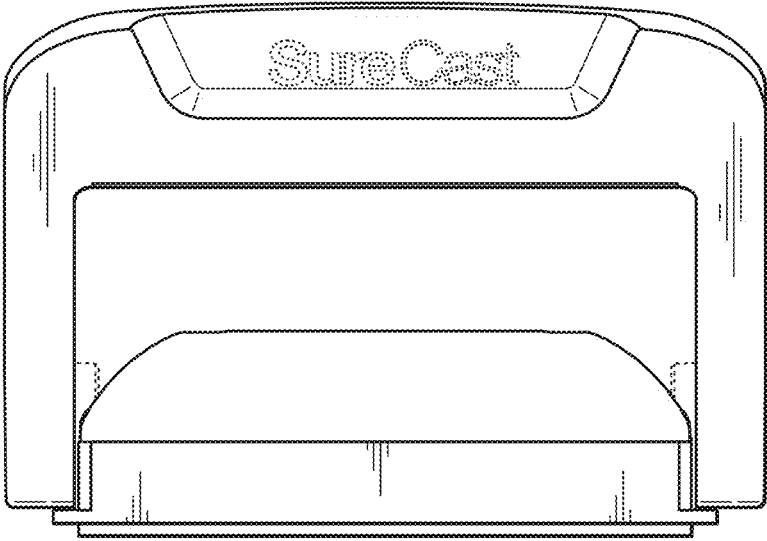


FIG. 7

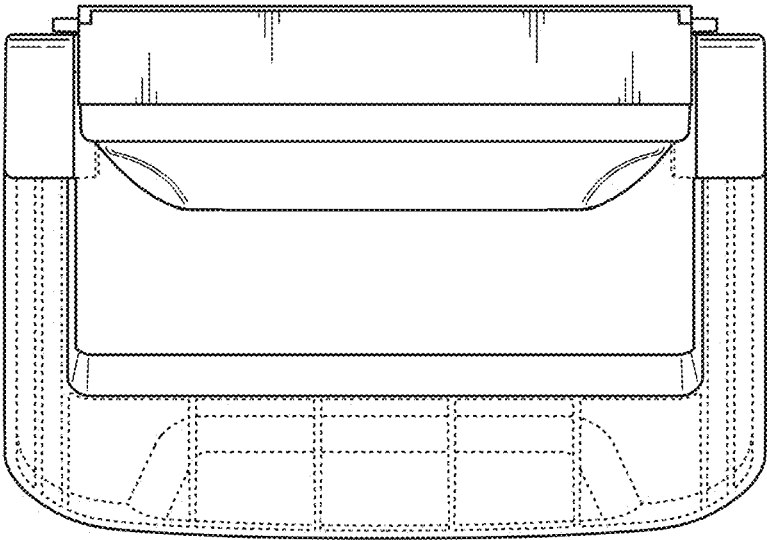


FIG. 8