



(12) **United States Design Patent**  
**Zhou**

(10) **Patent No.:** **US D980,557 S**  
(45) **Date of Patent:** **\*\* Mar. 7, 2023**

- (54) **CLEANING APPARATUS**
- (71) Applicant: **Shenzhen Zhengling Network System Co., LTD, Shenzhen (CN)**
- (72) Inventor: **Qinbing Zhou, Shenzhen (CN)**
- (73) Assignee: **Shenzhen Zhengling Network System Co., LTD, Shenzhen (CN)**
- (\*\*) Term: **15 Years**
- (21) Appl. No.: **29/846,745**
- (22) Filed: **Jul. 19, 2022**

D687,653 S \* 8/2013 Giovannoni ..... D6/545  
 D798,516 S \* 9/2017 Kosukegawa ..... D32/35  
 D898,378 S 10/2020 Beck et al.  
 D906,690 S \* 1/2021 Beck ..... D4/137  
 (Continued)

**FOREIGN PATENT DOCUMENTS**

CN 307421568 \* 6/2022

**OTHER PUBLICATIONS**

Amazon.com 7 in 1 Electronic Cleaner Kit (Oct. 6, 2022) [https://www.amazon.com/dp/B0BHHQGVTT/ref=sspa\\_dk\\_detail\\_4](https://www.amazon.com/dp/B0BHHQGVTT/ref=sspa_dk_detail_4) (Year: 2022).\*

(Continued)

*Primary Examiner* — Kevin K Rudzinski  
*Assistant Examiner* — Richard E Yenchesky  
 (74) *Attorney, Agent, or Firm* — Jeenam Park

(57) **CLAIM**

The ornamental design for a cleaning apparatus, as shown and described.

**DESCRIPTION**

FIG. 1 is a perspective view of a cleaning apparatus, showing my new design;  
 FIG. 2 is another perspective view thereof;  
 FIG. 3 is a front view thereof;  
 FIG. 4 is a rear view thereof;  
 FIG. 5 is a left side view thereof;  
 FIG. 6 is a right side view thereof;  
 FIG. 7 is an enlarged top plan view thereof;  
 FIG. 8 is an enlarged bottom plan view thereof;  
 FIG. 9 is an enlarged view of portion of FIG. 1 thereof; and,  
 FIG. 10 is a perspective view with the lid open thereof.  
 The broken lines shown in the drawings illustrate portions of the cleaning apparatus that form no part of the claimed design.

**1 Claim, 10 Drawing Sheets**

(30) **Foreign Application Priority Data**

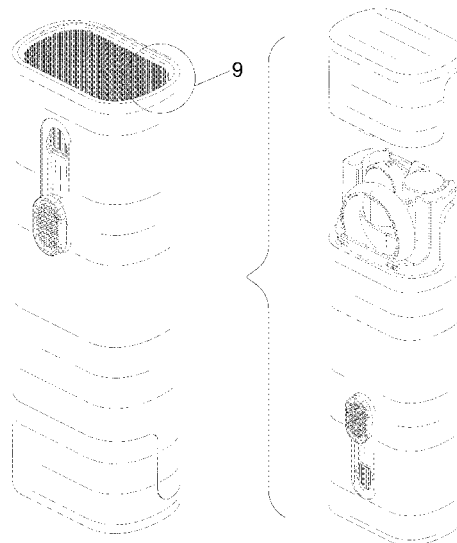
Apr. 7, 2022 (CN) ..... 202230192451.5

- (51) **LOC (14) Cl.** ..... **15-05**
- (52) **U.S. Cl.** ..... **D32/1**  
USPC ..... **D32/1**
- (58) **Field of Classification Search**  
USPC ..... D4/116, 118, 119, 121, 133-138;  
D6/534; D24/217; D28/12, 54.1;  
D32/1, 25, 35, 52  
CPC ... A46B 5/02; A46B 7/023; A46B 2200/3026;  
A46B 2200/30  
See application file for complete search history.

(56) **References Cited**

**U.S. PATENT DOCUMENTS**

D319,875 S \* 9/1991 Lackey ..... D24/217  
 D420,807 S \* 2/2000 Otteman ..... D4/119  
 D424,304 S \* 5/2000 Suzuki ..... D10/2  
 D566,443 S \* 4/2008 Hutchins ..... D6/534  
 D567,509 S \* 4/2008 Kao ..... D4/135  
 D568,050 S \* 5/2008 Huang ..... D4/120  
 D598,201 S 8/2009 Benson et al.  
 D640,427 S \* 6/2011 Lamparelli ..... D32/1  
 D640,471 S \* 6/2011 Lin ..... D4/120  
 D676,603 S \* 2/2013 Ishikawa ..... D28/54.1





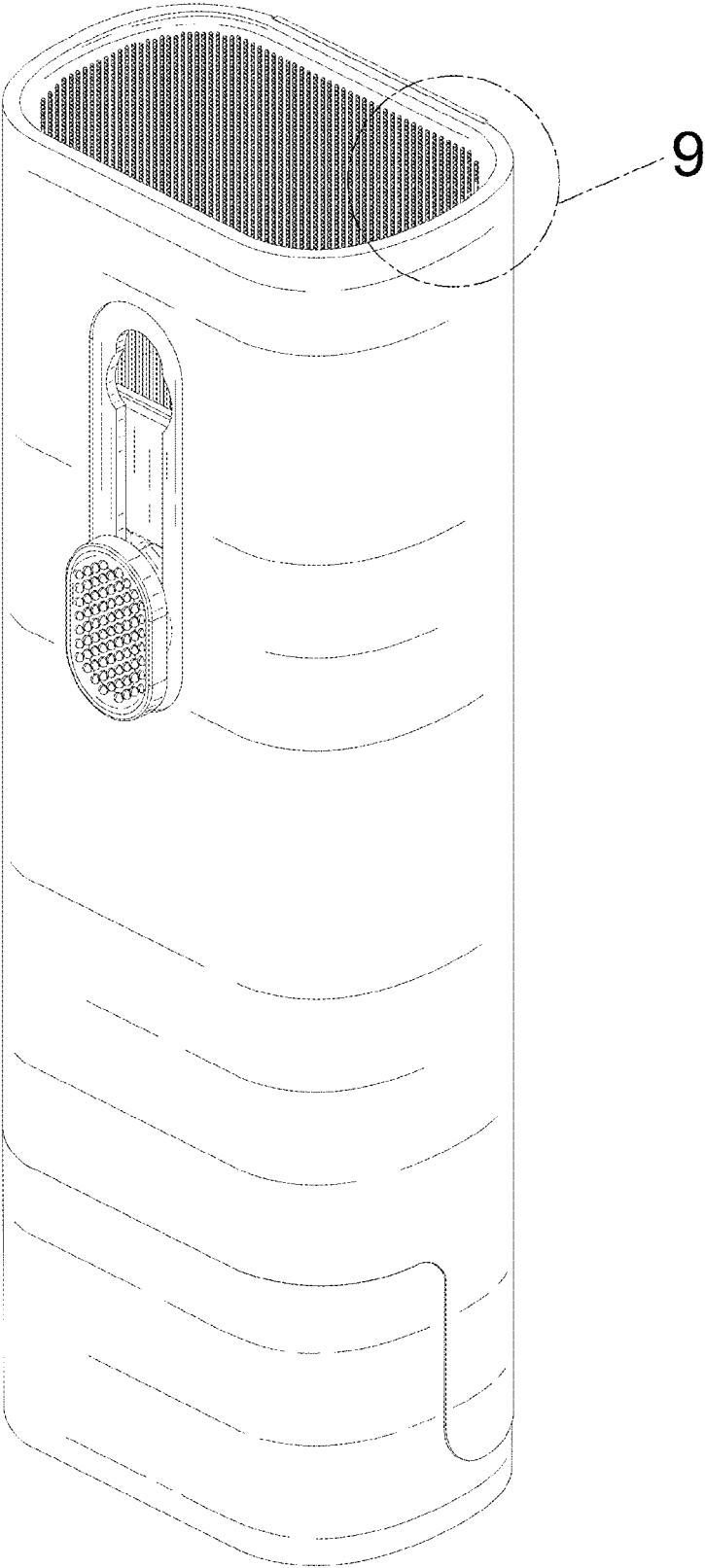


FIG. 1

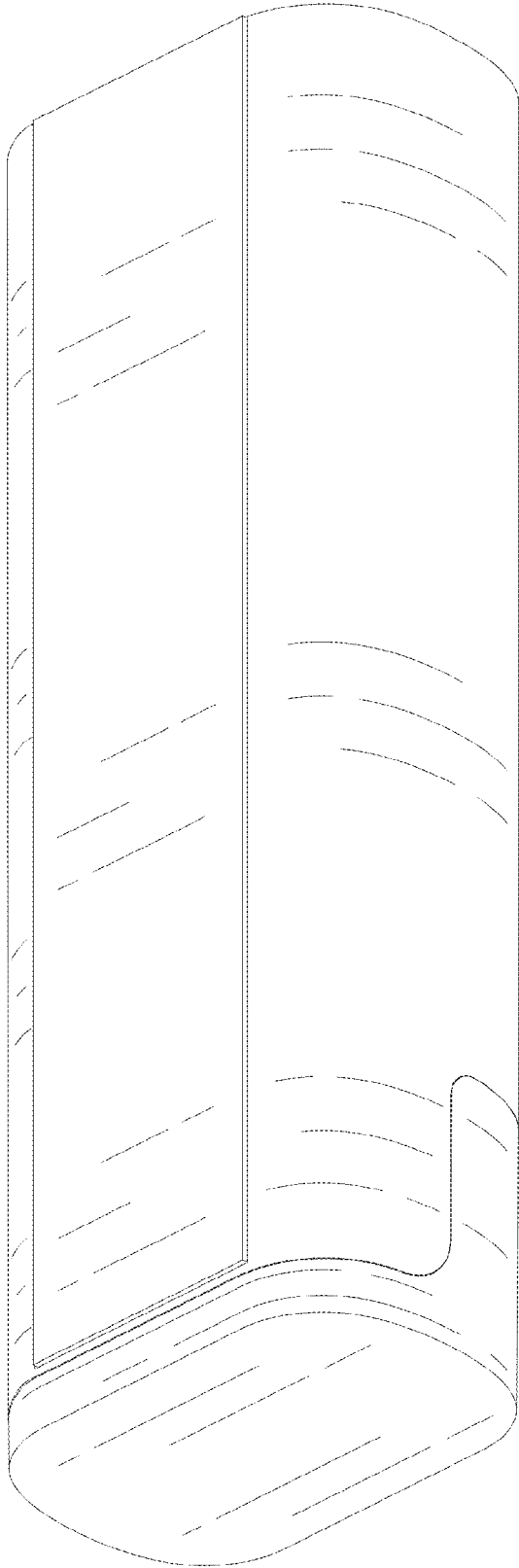


FIG. 2

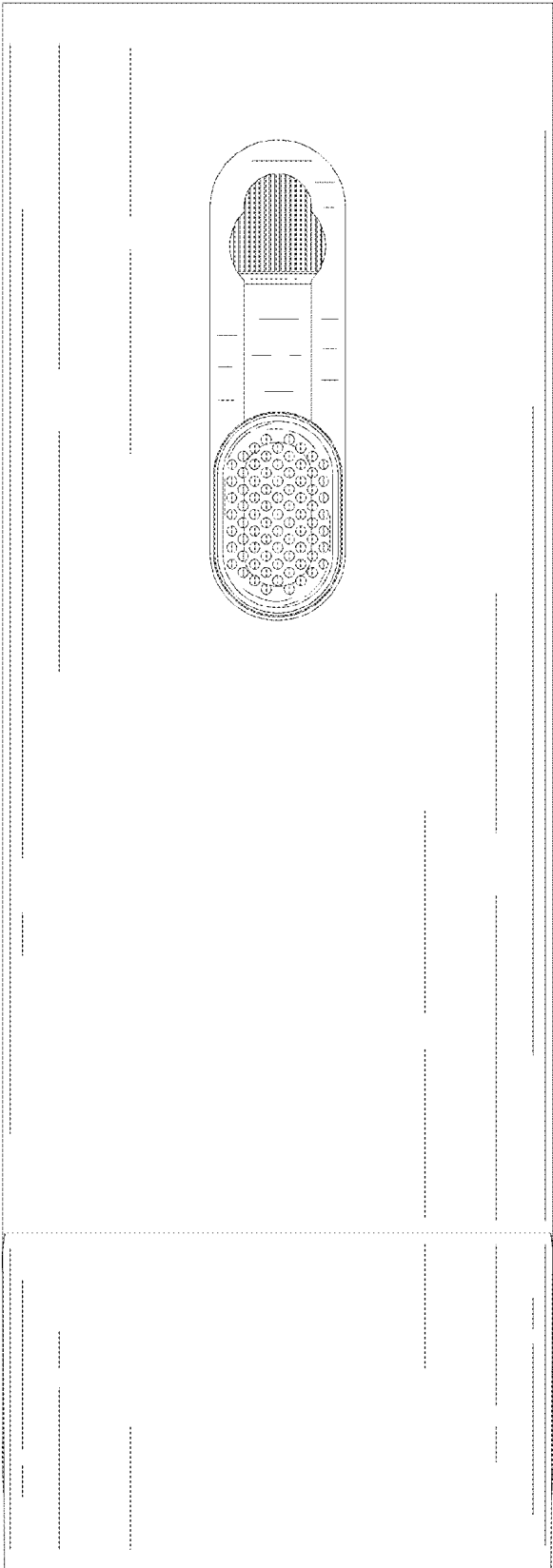


FIG. 3

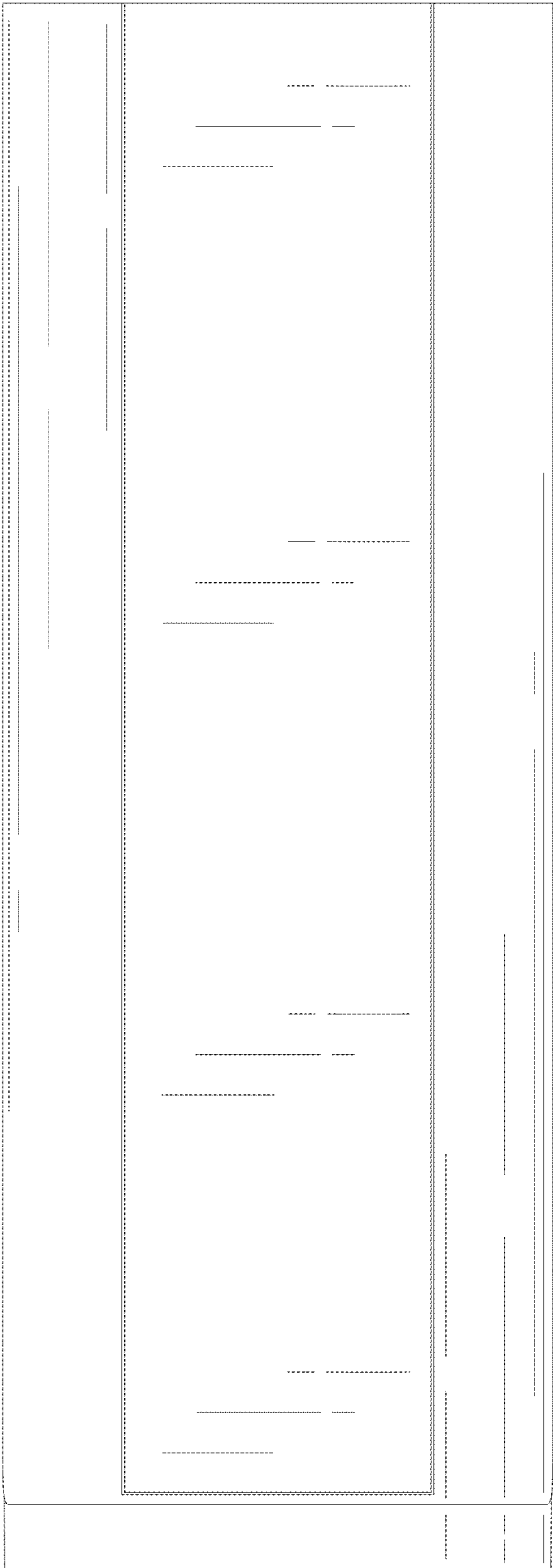


FIG. 4

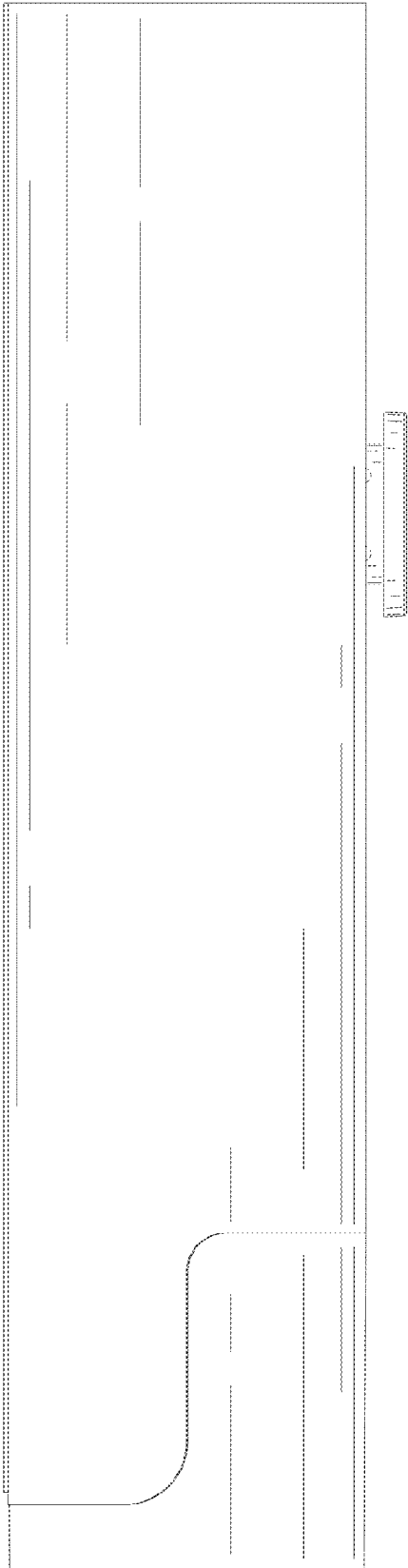


FIG. 5

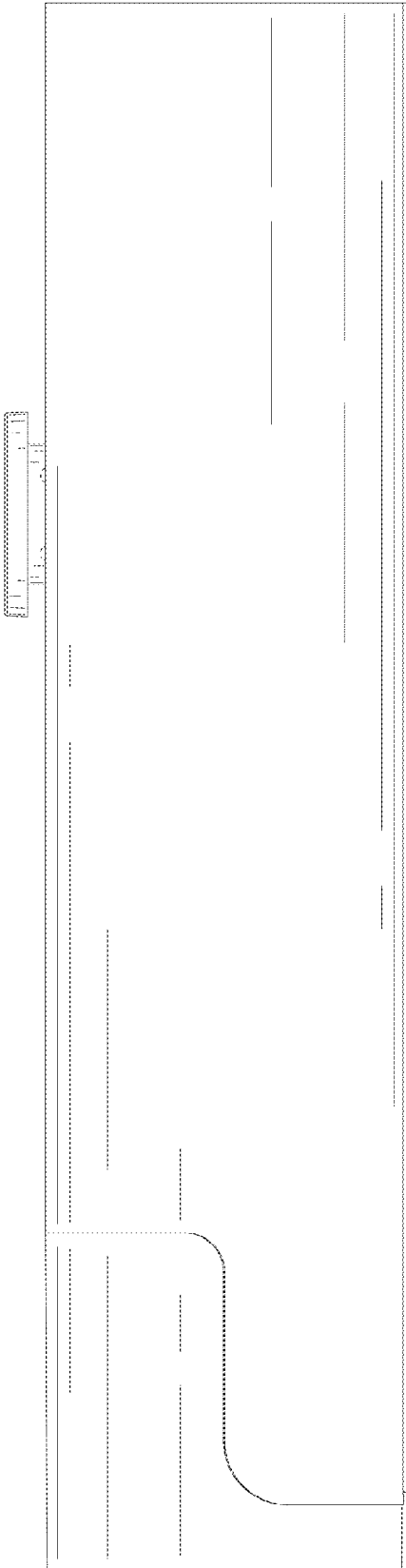


FIG. 6

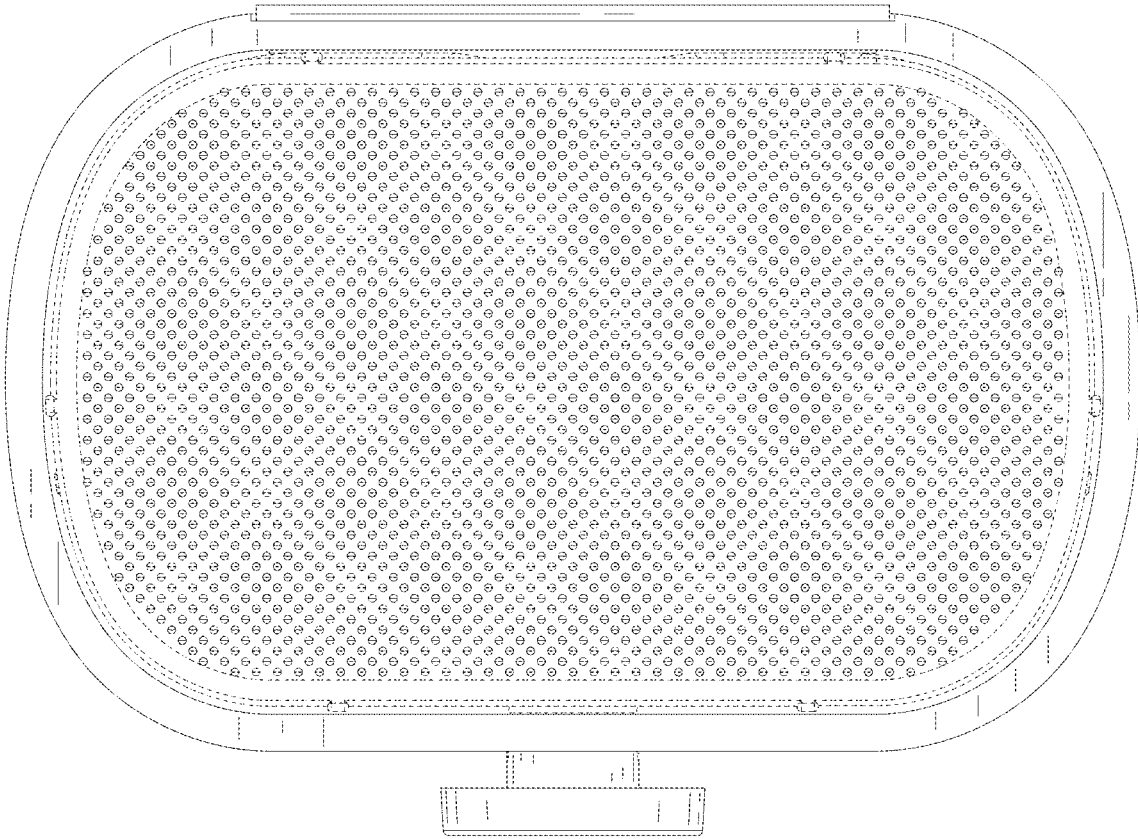


FIG. 7

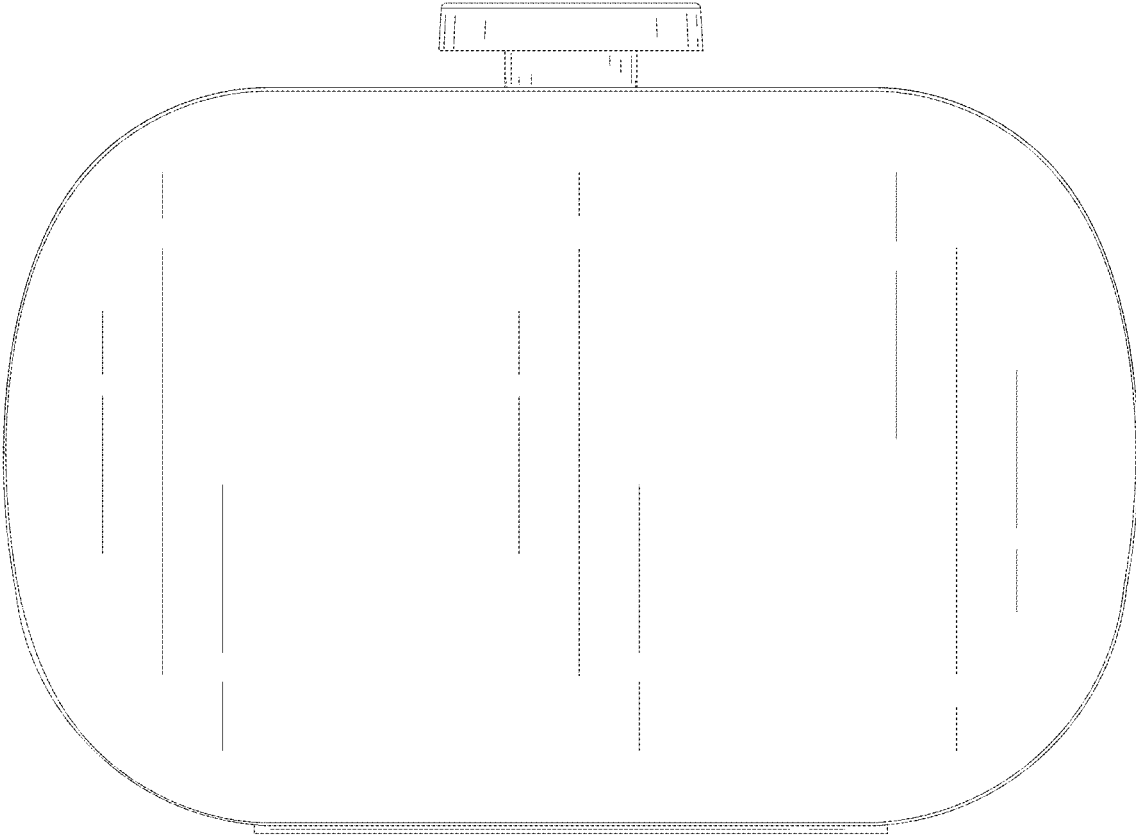


FIG. 8

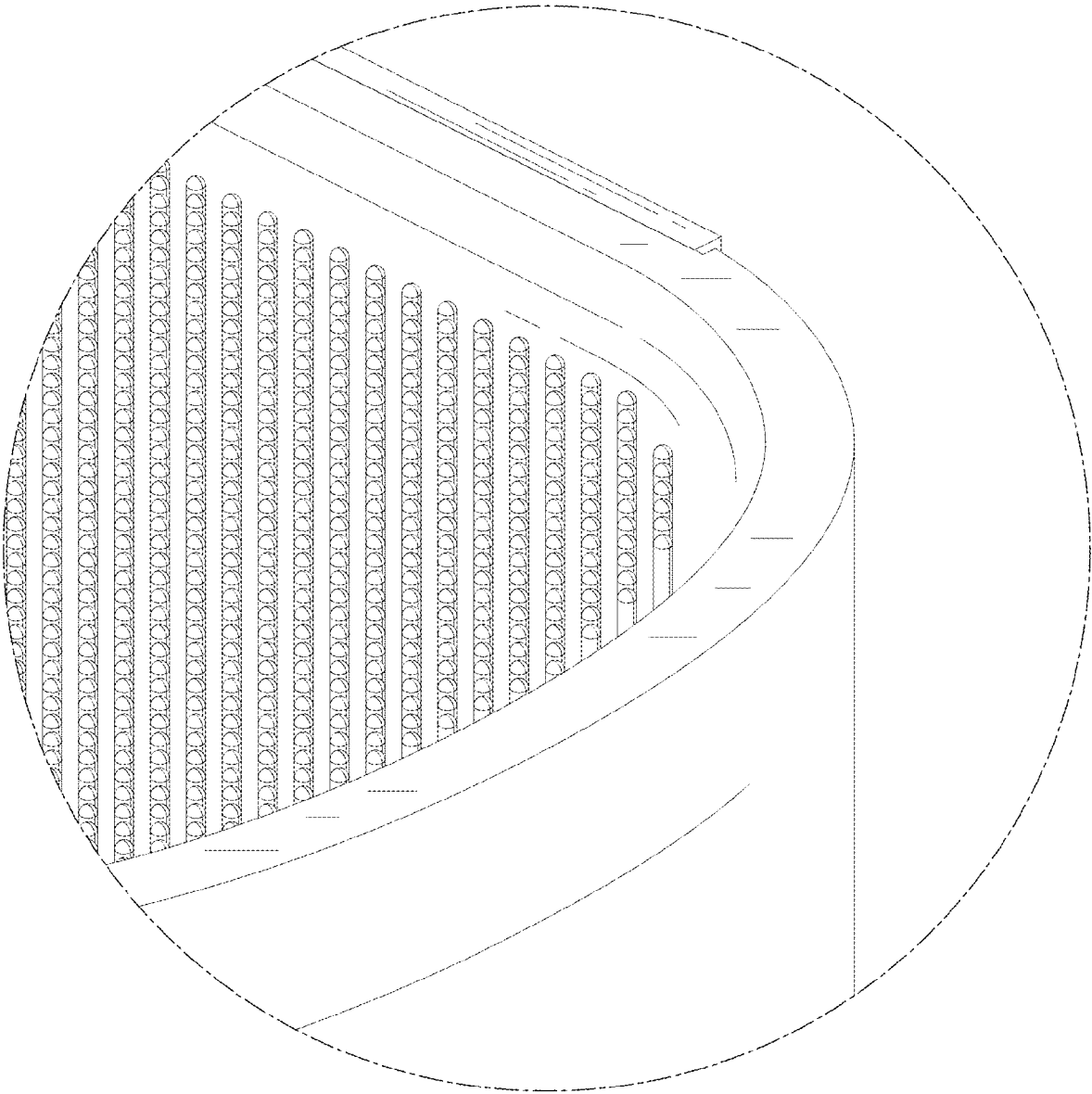


FIG. 9

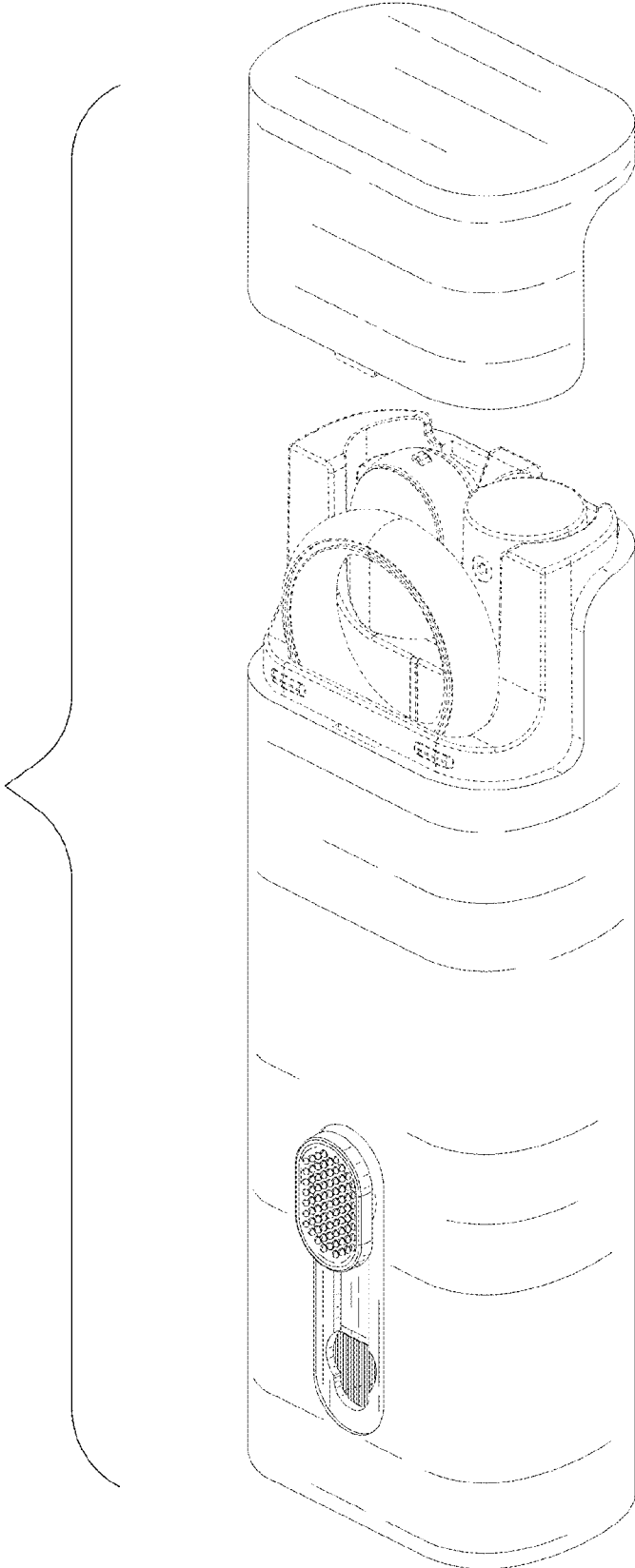


FIG. 10