



US00D882538S

(12) **United States Design Patent**
MacDonald et al.

(10) **Patent No.:** **US D882,538 S**
(45) **Date of Patent:** **** Apr. 28, 2020**

- (54) **CIRCUIT CUBE**
- (71) Applicant: **Tenka Inc.**, Willits, CA (US)
- (72) Inventors: **Nathaniel W. MacDonald**, Mill Valley, CA (US); **John F Schuster**, San Francisco, CA (US)
- (73) Assignee: **Tenka Inc.**, Willits, CA (US)
- (**) Term: **15 Years**
- (21) Appl. No.: **29/702,955**
- (22) Filed: **Aug. 22, 2019**

3,225,460	A *	12/1965	Randell	A63F 9/24
				434/236
3,346,775	A *	10/1967	Christiansen	H05K 1/0286
				361/738
3,553,883	A *	1/1971	Fischer	A63H 33/042
				446/91
3,696,548	A	10/1972	Teller	
D292,698	S	11/1987	Devita et al.	
D359,476	S	6/1995	Sakashita et al.	
D396,449	S	7/1998	Taylor	
D397,093	S	8/1998	Kim	
5,908,328	A	6/1999	Chen	
D428,860	S	8/2000	Siperek	
D429,704	S	8/2000	Kang	
D430,856	S	9/2000	Wilkerson	
D442,567	S	5/2001	Kang	
D465,772	S	11/2002	Poulter et al.	
D466,093	S	11/2002	Ebihara et al.	
D471,167	S	3/2003	Ebihara et al.	

(Continued)

Related U.S. Application Data

- (62) Division of application No. 29/609,479, filed on Jun. 30, 2017, now Pat. No. Des. 864,131.
- (51) **LOC (12) Cl.** **13-03**
- (52) **U.S. Cl.**
- USPC **D13/182**

- (58) **Field of Classification Search**
- USPC D13/182; 174/68.1, 250, 253, 255, 256; 318/567, 568.1; 361/600, 601, 718, 719, 361/720, 728, 736, 748, 751, 760, 761, 361/807; 439/55, 65, 68, 76.1, 93, 95
- CPC H05K 3/00; H05K 3/30; H05K 3/301; H05K 3/303; H05K 3/34; H05K 3/3405; H05K 3/341; H05K 3/36; H05K 3/361; H05K 3/363; H05K 3/40; H05K 7/14; H05K 7/1422; H05K 7/00; H05K 1/18; H05K 1/02; H05K 1/181; H05K 1/182; H05K 1/183; H05K 1/184; H05K 1/189; H05K 1/00

See application file for complete search history.

(56) **References Cited**

U.S. PATENT DOCUMENTS

- 2,896,033 A 7/1959 Hartz
- 3,072,734 A 1/1963 Fox et al.

Primary Examiner — Elizabeth J Oswecki
(74) *Attorney, Agent, or Firm* — TraskBritt

(57) **CLAIM**

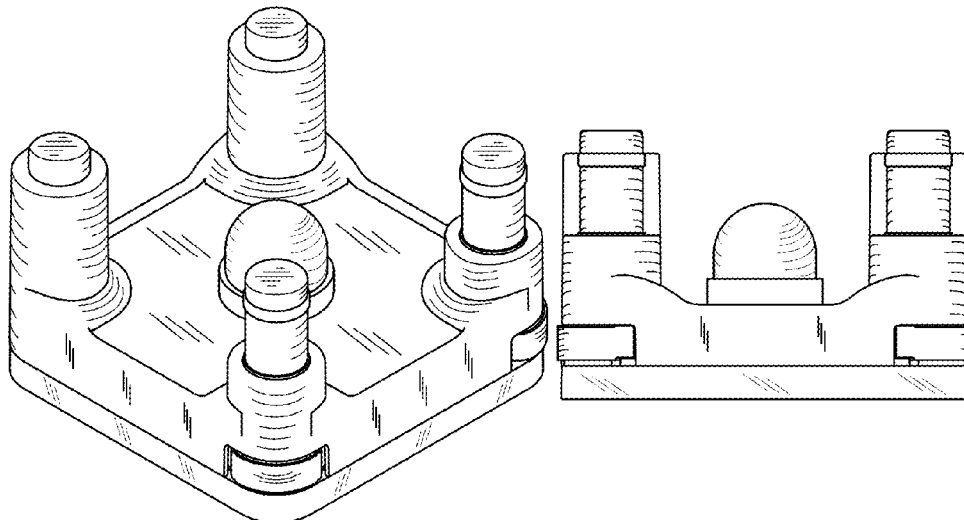
The ornamental design for a circuit cube, as shown and described.

DESCRIPTION

FIG. 1 is a top perspective view of a circuit cube, showing our new design;
 FIG. 2 is a top view thereof;
 FIG. 3 is a bottom view thereof;
 FIG. 4 is a front view thereof;
 FIG. 5 is a rear view thereof;
 FIG. 6 is a left view thereof; and,
 FIG. 7 is a right view thereof.

The broken lines shown in the drawings represent portions of the circuit cube that form no part of the claimed design.

1 Claim, 3 Drawing Sheets



(56)

References Cited

U.S. PATENT DOCUMENTS

6,814,626	B2 *	11/2004	Wen-Yao	H01R 13/7036 439/515	D799,438	S	10/2017	Takahashi et al.	
D552,048	S	10/2007	He		D804,437	S	12/2017	Kantor et al.	
D556,158	S	11/2007	Kong		D806,181	S *	12/2017	Johannsen	D21/500
7,611,357	B2	11/2009	Han et al.		9,914,065	B2	3/2018	Almog et al.	
D605,613	S	12/2009	Carter et al.		D824,344	S	7/2018	Podubni	
D639,756	S	6/2011	Greene, Jr.		D824,345	S	7/2018	Podubni	
D642,546	S	8/2011	Greene, Jr.		D826,186	S	8/2018	Podubni	
D647,072	S	10/2011	Bentley		D826,187	S	8/2018	Podubni	
D676,004	S	2/2013	Lyubachev		D826,188	S	8/2018	Podubni	
D691,101	S	10/2013	Ishizawa et al.		D826,189	S	8/2018	Podubni	
8,651,913	B1	2/2014	Lin		D826,190	S	8/2018	Podubni	
8,690,631	B2	4/2014	Nag		D826,191	S	8/2018	Podubni	
8,764,507	B2 *	7/2014	Lin	A63H 33/042 446/91	D826,192	S	8/2018	Podubni	
D725,054	S *	3/2015	Mertler	D13/182	D826,193	S	8/2018	Podubni	
9,017,132	B2	4/2015	Lin		D826,194	S	8/2018	Podubni	
D730,849	S *	6/2015	Aromin	D13/182	D826,195	S	8/2018	Podubni	
9,128,661	B2 *	9/2015	Zilber	A63F 13/80	D826,196	S	8/2018	Podubni	
9,209,560	B2	12/2015	Wei		10,335,702	B2 *	7/2019	Almog	A63H 33/042
D753,073	S	4/2016	Sponring		10,411,424	B2 *	9/2019	Lin	A63H 33/08
9,457,287	B1	10/2016	Lin et al.		D864,131	S *	10/2019	MacDonald	D13/182
D794,586	S	8/2017	Takahashi et al.		2008/0166926	A1 *	7/2008	Seymour	E04B 2/06 439/701
9,755,356	B1	9/2017	Kim et al.		2009/0268390	A1 *	10/2009	King	G06F 13/409 361/679.33
					2011/0143629	A1 *	6/2011	Seymour	A63H 33/04 446/91

* cited by examiner

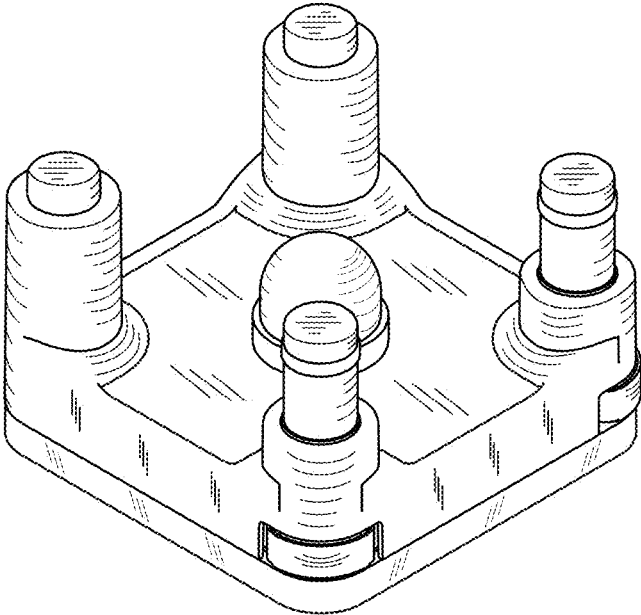


FIG. 1

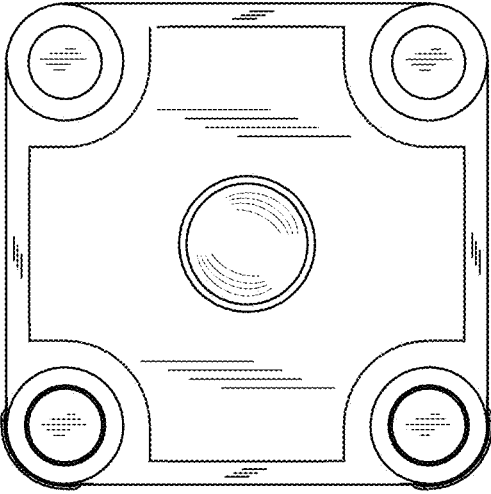


FIG. 2

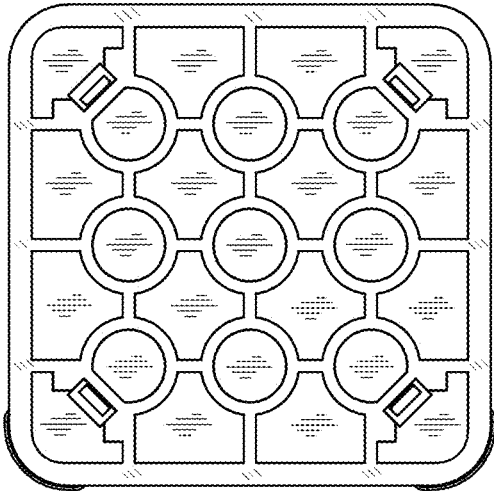


FIG. 3

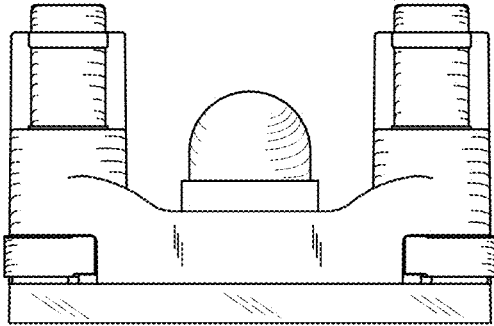


FIG. 4

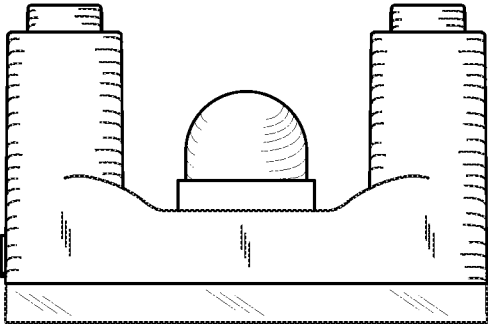


FIG. 5

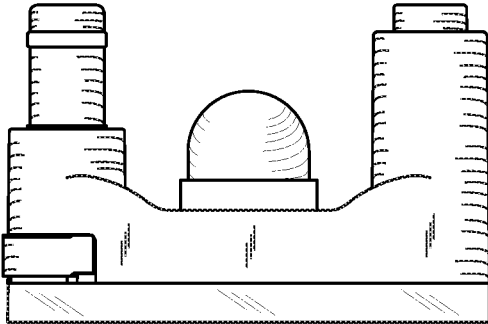


FIG. 6

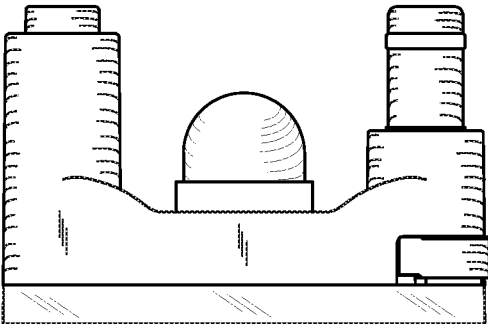


FIG. 7