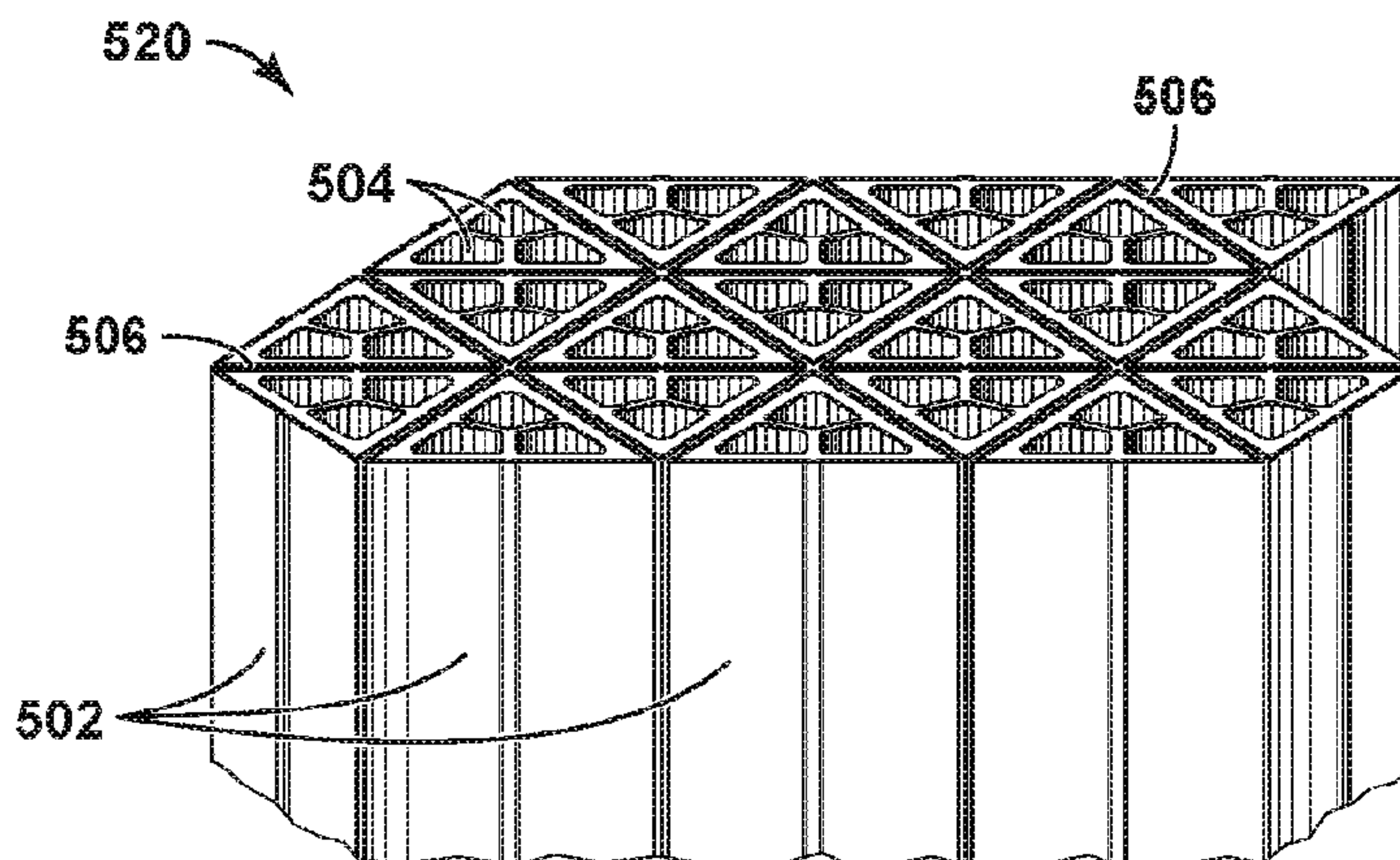




(86) Date de dépôt PCT/PCT Filing Date: 2016/03/24
(87) Date publication PCT/PCT Publication Date: 2016/11/24
(45) Date de délivrance/Issue Date: 2019/12/03
(85) Entrée phase nationale/National Entry: 2017/09/14
(86) N° demande PCT/PCT Application No.: US 2016/023934
(87) N° publication PCT/PCT Publication No.: 2016/186726

(51) Cl.Int./Int.Cl. *B01D 53/047* (2006.01),
B01D 53/04 (2006.01)
(72) Inventeur/Inventor:
TAMMERA, ROBERT F., US
(73) Propriétaire/Owner:
EXXONMOBIL UPSTREAM RESEARCH COMPANY,
US
(74) Agent: BORDEN LADNER GERVAIS LLP

(54) Titre : APPAREIL ET SYSTEME POUR PROCEDES D'ADSORPTION PAR OSCILLATION ASSOCIES A CEUX-CI
(54) Title: APPARATUS AND SYSTEM FOR SWING ADSORPTION PROCESSES RELATED THERETO



(57) **Abrégé/Abstract:**

Provided are apparatus and systems having an adsorbent bed unit for use in a cyclical swing adsorption process. The process is utilized to remove contaminants from a gas feed streams. The adsorbent bed unit includes an assembly of thermal polygon contactors with each of the thermal polygon contactors having one or more internal channels and two or more of the thermal polygon contactors form one or more external channels. The external channels having adsorbent coating that is utilized to remove contaminants from a gas feed streams.

(12) INTERNATIONAL APPLICATION PUBLISHED UNDER THE PATENT COOPERATION TREATY (PCT)

(19) World Intellectual Property
Organization
International Bureau(10) International Publication Number
WO 2016/186726 A1(43) International Publication Date
24 November 2016 (24.11.2016)

(51) International Patent Classification:

B01D 53/04 (2006.01) *B01D 53/047* (2006.01)

(21) International Application Number:

PCT/US2016/023934

(22) International Filing Date:

24 March 2016 (24.03.2016)

(25) Filing Language:

English

(26) Publication Language:

English

(30) Priority Data:

62/162,216 15 May 2015 (15.05.2015) US

(71) Applicant (for all designated States except US): **EXXON-MOBIL UPSTREAM RESEARCH COMPANY** [US/US]; CORP-URC-E2.4A.296, 22777 Springwoods Village Parkway, Spring, TX 77389 (US).

(72) Inventor; and

(71) Applicant (for US only): **TAMMERA, Robert, F.** [US/US]; 7081 Auburn Mill Road, Warrenton, VA 20187 (US).(74) Agents: **KNIGHT, Brent, R.** et al.; Exxonmobil Upstream Research Company, CORP-URC-E2.4a.296, 22777 Springwoods Village Parkway, Spring, TX 77389 (US).

(81) Designated States (unless otherwise indicated, for every kind of national protection available): AE, AG, AL, AM,

AO, AT, AU, AZ, BA, BB, BG, BH, BN, BR, BW, BY, BZ, CA, CH, CL, CN, CO, CR, CU, CZ, DE, DK, DM, DO, DZ, EC, EE, EG, ES, FI, GB, GD, GE, GH, GM, GT, HN, HR, HU, ID, IL, IN, IR, IS, JP, KE, KG, KN, KP, KR, KZ, LA, LC, LK, LR, LS, LU, LY, MA, MD, ME, MG, MK, MN, MW, MX, MY, MZ, NA, NG, NI, NO, NZ, OM, PA, PE, PG, PH, PL, PT, QA, RO, RS, RU, RW, SA, SC, SD, SE, SG, SK, SL, SM, ST, SV, SY, TH, TJ, TM, TN, TR, TT, TZ, UA, UG, US, UZ, VC, VN, ZA, ZM, ZW.

(84) Designated States (unless otherwise indicated, for every kind of regional protection available): ARIPO (BW, GH, GM, KE, LR, LS, MW, MZ, NA, RW, SD, SL, ST, SZ, TZ, UG, ZM, ZW), Eurasian (AM, AZ, BY, KG, KZ, RU, TJ, TM), European (AL, AT, BE, BG, CH, CY, CZ, DE, DK, EE, ES, FI, FR, GB, GR, HR, HU, IE, IS, IT, LT, LU, LV, MC, MK, MT, NL, NO, PL, PT, RO, RS, SE, SI, SK, SM, TR), OAPI (BF, BJ, CF, CG, CI, CM, GA, GN, GQ, GW, KM, ML, MR, NE, SN, TD, TG).

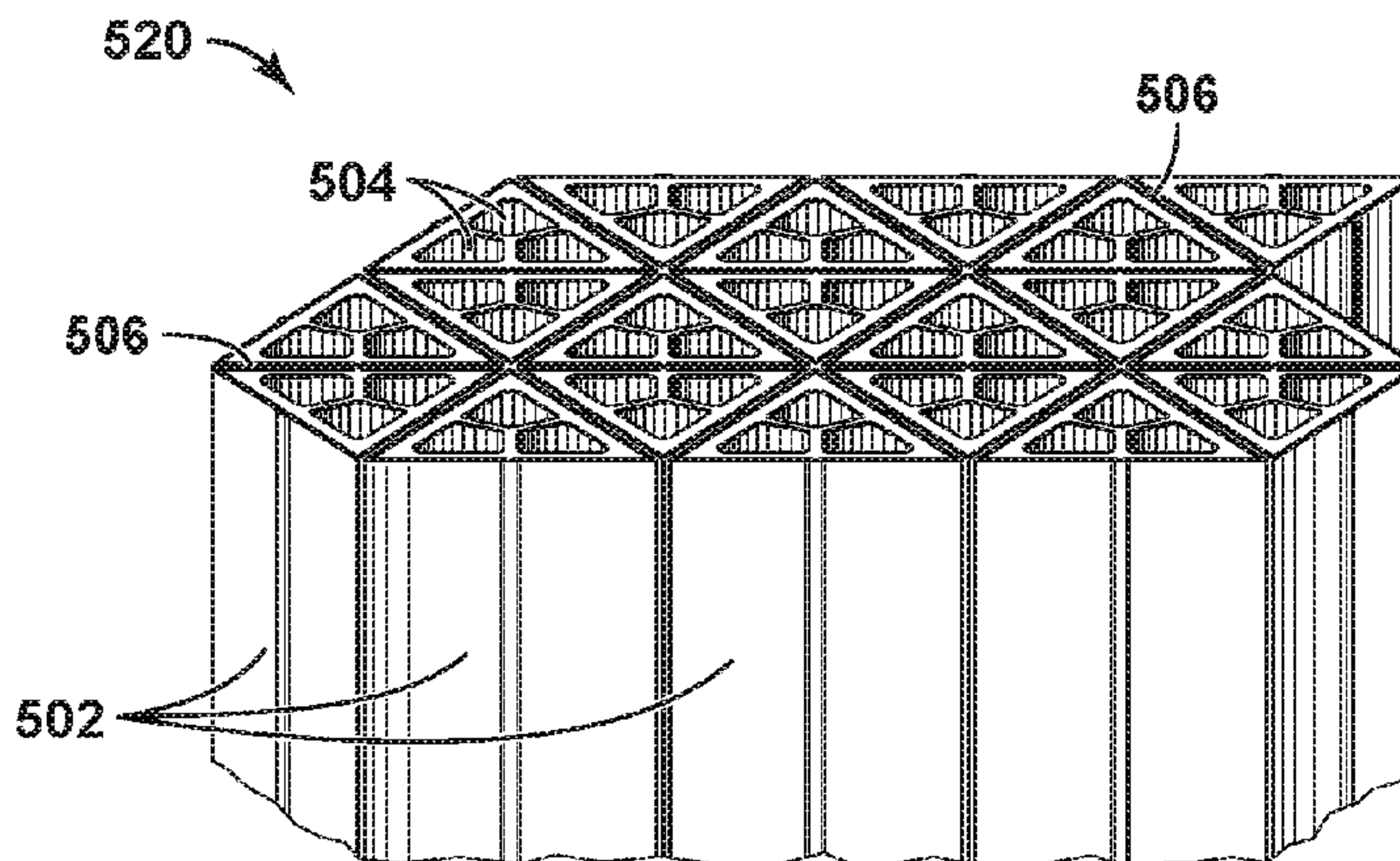
Declarations under Rule 4.17:

— as to applicant's entitlement to apply for and be granted a patent (Rule 4.17(ii))

Published:

— with international search report (Art. 21(3))

(54) Title: APPARATUS AND SYSTEM FOR SWING ADSORPTION PROCESSES RELATED THERETO

**FIG. 5B**

(57) Abstract: Provided are apparatus and systems having an adsorbent bed unit for use in a cyclical swing adsorption process. The process is utilized to remove contaminants from a gas feed streams. The adsorbent bed unit includes an assembly of thermal polygon contactors with each of the thermal polygon contactors having one or more internal channels and two or more of the thermal polygon contactors form one or more external channels. The external channels having adsorbent coating that is utilized to remove contaminants from a gas feed streams.



WO 2016/186726 A1

**APPARATUS AND SYSTEM FOR SWING ADSORPTION PROCESSES RELATED
THERE TO**

5 [0001] << This paragraph has been left intentionally blank.>>

FIELD

10 [0002] The present techniques relate to a system associated with a swing adsorption process. In particular, the system includes an adsorbent bed unit whose configuration includes a ridged thermal contactor.

BACKGROUND

15 [0003] Gas separation is useful in many industries and can typically be accomplished by flowing a mixture of gases over an adsorbent material that preferentially adsorbs one or more gas components while not adsorbing one or more other gas components. The non-adsorbed components are recovered as a separate product.

20 [0004] One particular type of gas separation technology is swing adsorption, such as temperature swing adsorption (TSA), pressure swing adsorption (PSA), partial pressure swing adsorption (PPSA), rapid cycle pressure swing adsorption (RCPSA), rapid cycle partial pressure swing adsorption (RCPPSA), and not limited to but also combinations of the fore mentioned processes, such as pressure and temperature swing adsorption. As an example, PSA processes rely on the phenomenon of gases being more readily adsorbed within the pore structure or free volume of an adsorbent material when the gas is under pressure. That is, the
25 higher the gas pressure, the greater the amount of readily-adsorbed gas adsorbed. When the pressure is reduced, the adsorbed component is released, or desorbed from the adsorbent material.

30 [0005] The swing adsorption processes (e.g., PSA and TSA) may be used to separate gases of a gas mixture because different gases tend to fill the micropore of the adsorbent material to different extents. For example, if a gas mixture, such as natural gas, is passed under pressure through a vessel containing an adsorbent material that is more selective towards carbon dioxide

than it is for methane, at least a portion of the carbon dioxide is selectively adsorbed by the adsorbent material, and the gas exiting the vessel is enriched in methane. When the adsorbent material reaches the end of its capacity to adsorb carbon dioxide, it is regenerated by reducing the pressure, thereby releasing the adsorbed carbon dioxide. The adsorbent material is then typically purged and repressurized. Then, the adsorbent material is ready for another adsorption cycle.

[0006] The swing adsorption processes typically involve adsorption units, which include adsorbent bed assemblies. These adsorbent bed units utilize different packing material in the bed structures. For example, the adsorbent bed units utilize checker brick, pebble beds or other available packing. As an enhancement, some adsorbent bed units may utilize engineered packing within the bed structure. The engineered packing may include a material provided in a specific configuration, such as a honeycomb, ceramic foams or the like.

[0007] Further, various adsorbent bed assemblies may be coupled together with conduits and valves to manage the flow of fluids. Orchestrating these adsorbent bed assemblies involves coordinating the cycles for each of the adsorbent bed assemblies with other adsorbent bed assemblies in the system. A complete cycle can vary from seconds to minutes as it transfers a plurality of gaseous streams through one or more of the adsorbent bed assemblies.

[0008] Unfortunately, conventional swing adsorption processes have certain limitations that lessen efficiencies in performing cyclical operations. That is, the conventional systems do not provide adequate surface area for the adsorption of contaminants. This aspect is further complicated for rapid cycle swing adsorption processes.

[0009] Accordingly, it is desirable to provide an enhanced method and apparatus to implement an industrial-scale, adsorber, which increases the surface area and maximize gas channels (e.g., enhance the micro-gas channel to surface area ratio). The present techniques provide a method and apparatus that overcome one or more of the deficiencies discussed above.

SUMMARY OF THE INVENTION

[0010] In one or more embodiments, an adsorbent bed unit for a cyclical swing process is described. The comprising a housing having an interior region; an assembly of thermal polygon contactors disposed in the interior region, each of the thermal polygon contactors having one or more internal channels within each of the thermal polygon contactors and one or more external channels formed between two or more of the thermal polygon contactors in the assembly of thermal polygon contactors, wherein at least one external surface for each of the

thermal polygon contactors has an adsorbent coating; and wherein the adsorbent bed unit is configured to isolate direct fluid communication between fluids in the one or more internal channels and fluids in the one or more external channels. One or more spacing elements associated with the thermal polygon contactors may be used to provide structural support for a
5 portion of the one or more external channels.

[0011] Further, in one or more embodiments, a method of manufacturing an adsorbent bed unit is described. The method of manufacturing may include fabricating a plurality of thermal polygon contactors, wherein each of the plurality of thermal polygon contactors comprises one or more internal channels within each of the thermal polygon contactors and wherein at least
10 one external surfaces for each of the thermal polygon contactors has an adsorbent coating; securing two or more of the plurality of thermal polygon contactors to each other to form an assembly of thermal polygon contactors, wherein one or more external channels are formed between two or more of the thermal polygon contactors; constructing an adsorbent bed unit housing, wherein the an adsorbent bed unit housing has an interior region; and disposing the
15 assemble of contactors into an adsorbent bed unit housing. Further, the one or more internal channels and the one or more external channels may be configured to provide substantially parallel and isolated fluid flow along the axial length of the thermal polygon contactors.

[0012] Moreover, in one or more embodiments, a cyclical swing adsorption process for removing contaminants from gas feed streams is described. The method may include passing
20 a gaseous feed stream through an adsorbent bed unit having an assembly of thermal polygon contactors to separate one or more contaminants from the gaseous feed stream to form a product stream, wherein the assembly of thermal polygon contactors have one or more internal channels within each of the thermal polygon contactors and one or more external channels formed between two or more of the thermal polygon contactors in the assembly of thermal polygon
25 contactors, wherein at least one external surface for each of the thermal polygon contactors have an adsorbent coating; and wherein the adsorbent bed unit is configured to isolate direct fluid communication between fluids in the one or more internal channels and fluids in the one or more external channels; interrupting the flow of the gaseous feed stream; performing a depressurization step, wherein the depressurization step reduces the pressure within the
30 adsorbent bed unit; performing a purge step, wherein the purge step reduces the pressure within the adsorbent bed unit and wherein the purge step involves passing a purge stream to a through one or more of the external channels; performing a re-pressurization step, wherein the re-pressurization step increases the pressure within the adsorbent bed unit ; and repeating the steps

a) to e) for at least one additional cycle, wherein the gaseous feed stream and the purge stream are passed through the one or more external passages and one or more of the steps a) to e) are performed while a fluid is passed through the one or more internal channels to manage the temperature adsorbent coating during the respective step.

5 [0013] Further, in certain embodiments, a feed distribution component or product distribution component may be utilized. The feed distribution component may be coupled to one or more of the thermal polygon contactors and is configured to: provide fluid communication between a feed secondary fluid zone and the one or more internal channels; provide fluid communication between a feed primary fluid zone and the one or more external
10 channels; and isolate direct fluid communication between the one or more external channels and the one or more internal channels. The product distribution component coupled to one or more of the thermal polygon contactors, wherein the product distribution component is configured to: provide fluid communication between a product secondary fluid zone and the one or more internal channels; provide fluid communication between a product primary fluid
15 zone and the one or more external channels; and isolate direct fluid communication between the one or more external channels and the one or more internal channels.

[0014] Yet further still, certain embodiments may manage the ratio of the internal channels and the external channels. For example, the one or more internal channels and the one or more external channels may be configured to have a ratio of total internal channels area to total
20 external channels area in the range between 0.5 and 3.0, or in the range between 0.8 and 1.2.

BRIEF DESCRIPTION OF THE FIGURES

[0015] The foregoing and other advantages of the present disclosure may become apparent upon reviewing the following detailed description and drawings of non-limiting examples of embodiments.

25 [0016] Figure 1 is a three-dimensional diagram of the swing adsorption system with six adsorbent bed units and interconnecting piping in accordance with an embodiment of the present techniques.

[0017] Figure 2 is a diagram of a portion of an adsorbent bed unit having associated valve assemblies and manifolds in accordance with an embodiment of the present techniques.

30 [0018] Figures 3A, 3B and 3C are diagrams of an exemplary assembly of polygon thermal contactors in accordance with an embodiment of the present techniques.

[0019] Figures 4A and 4B are diagrams of the architecture of a polygon thermal contactor

in accordance with an embodiment of the present techniques.

[0020] Figures 5A, 5B and 5C are diagrams of the polygon thermal contactor in accordance with an embodiment of the present techniques.

5 [0021] Figures 6A, 6B and 6C are diagrams of the unit cell geometry of a polygon thermal contactor in accordance with an embodiment of the present techniques.

[0022] Figures 7A, 7B and 7C are diagrams of fabrication steps for a polygon thermal contactor in accordance with an embodiment of the present techniques.

[0023] Figures 8A, 8B, 8C, 8D and 8E are diagrams of fabrication steps for an assembly of polygon thermal contactors in accordance with an embodiment of the present techniques.

10 [0024] Figures 9A, 9B, 9C, 9D, 9E and 9F are diagrams of an adsorbent bed unit and fabrication steps for the adsorbent bed unit in accordance with an embodiment of the present techniques.

[0025] Figures 10A, 10B, 10C and 10D are diagrams of thermal contactor liquid dynamics in accordance with an embodiment of the present techniques.

15 [0026] Figures 11A, 11B and 11C are diagrams of an adsorbent bed unit in accordance with an embodiment of the present techniques.

DETAILED DESCRIPTION OF THE INVENTION

20 [0027] Unless otherwise explained, all technical and scientific terms used herein have the same meaning as commonly understood by one of ordinary skill in the art to which this disclosure pertains. The singular terms "a," "an," and "the" include plural referents unless the context clearly indicates otherwise. Similarly, the word "or" is intended to include "and" unless the context clearly indicates otherwise. The term "includes" means "comprises."

25 In case of conflict as to the meaning of a term or phrase, the present specification, including explanations of terms, control. Directional terms, such as "upper," "lower," "top," "bottom," "front," "back," "vertical," and "horizontal," are used herein to express and clarify the relationship between various elements. It should be understood that such terms do not denote absolute orientation (e.g., a "vertical" component can become horizontal by rotating the device). The materials, methods, and examples recited herein are
30 illustrative only and not intended to be limiting.

[0028] The present techniques relate to a polygon thermal contactor for use in an adsorbent

bed unit. The polygon thermal contactor supports an exterior 100 to 200 micron adsorbent coating, which also includes one or more internal fluid passages or channels (e.g., liquids). The internal passages may be used to transfer a uniform temperature profile, which is configured to adjust the thermal surface of the applied coating. The polygon thermal contactor may have a
5 single point of entry and discharge for the internal fluids, which provides a uniform fluid volume (e.g., liquid volume) that may adjust the temperature of one or more of the surfaces of the polygon thermal contactor (e.g., wall). In this configuration, the fluid may travel substantially parallel to the axial length of the given polygon thermal contactor.

[0029] Accordingly, each of the polygon thermal contactors may be configured to be
10 integrated with other polygon thermal contactors to form an assembly of polygon thermal contactors. The assembly of polygon thermal contactors provides external fluid passages that are formed between at least two of the polygon thermal contactors. As an example, each of the polygon thermal contactors may be configured to be stacked with or adjacent to at least one other polygon thermal contactor, which may have similar dimensions and provide a uniform
15 adsorbent passages or channels along all non-touching surfaces (e.g., gas channels). The adsorbent channels may provide a region for fluids passing through the external passages (e.g., gas channels) to interact with the adsorbent coating on the external portion of the respective polygon thermal contactors. Similar to the internal passages, the external passages or channels may have a single point of entry and discharge for the fluids, which provides a uniform fluid
20 volume that may adjust the temperature of the one or more of the surfaces of the polygon thermal contactor (e.g., wall). In this configuration, the fluid may travel parallel to the axial length of the respective polygon thermal contactor and parallel with the flow of the fluid through the internal channel of the respective polygon thermal contactor.

[0030] Further, one or more of polygon thermal contactors in the assembly of polygon
25 thermal contactors may include one or more components to manage fluid distribution. For example, at one end of the polygon thermal contactor a feed distribution component may be coupled to the polygon thermal contactor, while the other end of the polygon thermal contactor may be coupled to a product distribution component. The feed distribution component and product distribution component may be configured to isolate the fluids from the external
30 channels into a primary fluid zone and the fluids from the internal channels into a secondary fluid zone. In addition, the feed distribution component and product distribution component may be configured to fluidly communicate with one of the polygon thermal contactors of the assembly of polygon thermal contactors or two or more of the polygon thermal contactors of

the assembly of polygon thermal contactors.

5 [0031] For example, various similar dimensioned thermal contactors may be configured to communicate fluids with manifolds in a swing adsorption process, such as feed and product manifolds, which may be arranged in a pressure vessel as sub-assemblies. The independent sub-assemblies may operate in parallel and may provide a systematic mechanism for controlling the temperature treated liquid. The architecture can be fabricated in metal from and extruded dye or a mold. The material can be either plastic or ceramic, which may use known fabrication techniques.

10 [0032] In one or more embodiments, the present techniques can be used for any type of swing adsorption process. Non-limiting swing adsorption processes for which the present invention can be used include pressure swing adsorption (PSA), vacuum pressure swing adsorption (VPSA), temperature swing adsorption (TSA), partial pressure swing adsorption (PPSA), rapid cycle pressure swing adsorption (RCPSA), rapid cycle thermal swing adsorption (RCTSA), rapid cycle partial pressure swing adsorption (RCPPSA), as well as combinations
15 of these processes, such as pressure/temperature swing adsorption. Exemplary kinetic swing adsorption processes are described in U.S. Patent Nos. 7,959,720, 8,545,602, 8,529,663, 8,444,750, and 8,529,662.

[0033] The present techniques provide various enhancements to swing adsorption systems. These enhancements may be utilized to provide an enhanced method and apparatus to
20 implement an industrial-scale adsorber, which has an adsorbent bed unit that enhances the operation in a swing adsorption process. The present techniques provide an apparatus, method, and system that enhance the adsorbent bed configuration by managing the surface area and gas channels. That is, the adsorbent bed unit enhances the micro-gas channel to surface area ratio, which enhances the swing adsorption process.

25 [0034] Further, the configuration of the adsorbent bed unit may manage the total liquid area (e.g., total internal channels area) as compared with the total gaseous area (e.g., total external channels area). The ratio of the total internal channels area to the total external channels area may be in the range between 0.5 and 3.0, between 0.7 and 2.0 or between 0.8 and 1.2.

30 [0035] As an example, in certain embodiments, the internal passages or channels may be used to pass a liquid stream through one or more polygon thermal contactors in an assembly of polygon thermal contactors. The external passages formed by two or more of the polygon

thermal contactors in an assembly of polygon thermal contactors may be used to pass a gaseous stream, which may interact with the adsorbent coating. In this configuration, the liquid may be used to heat or cool the polygon thermal contactors in the assembly of polygon thermal contactors and the associated adsorbent coating. The adsorbent coating on the external surface of the polygon thermal contactors may be used to remove contaminants from the gaseous stream. In this configuration, the liquid stream and the gaseous streams may travel parallel to the axial length of the given polygon thermal contactor and the liquid stream and the gaseous stream may travel substantially parallel with respect to each other (e.g., in the same direction or counter current direction). Beneficially, the liquid in the internal passages may be used to transfer a uniform temperature profile that may enhance the swing adsorption process using this configuration. Further, by having the channel areas balanced, the thermal effect is useful to manage the swing adsorption process.

[0036] Alternatively, in certain embodiments, the adsorbent coating may be disposed on the internal passages. For example, the internal passages or channels may be used to pass a gaseous stream through one or more polygon thermal contactors in an assembly of polygon thermal contactors. The external passages formed by two or more of the polygon thermal contactors in an assembly of polygon thermal contactors may be used to pass a liquid stream. In this configuration, the liquid may be used to heat or cool the polygon thermal contactors in the assembly of polygon thermal contactors, while the adsorbent coating on the internal surface of the polygon thermal contactors may be used to remove contaminants from the gaseous stream. The liquid stream in the external passages may be used to transfer a uniform temperature profile that may enhance the swing adsorption process using the assembly of polygon thermal contactors. In this configuration, the liquid stream and the gaseous streams may travel parallel to the axial length of the given polygon thermal contactor and the liquid stream and the gaseous stream may travel substantially parallel with respect to each other (e.g., in the same direction or counter current direction). The present techniques may be further understood with reference to the Figures 1 to 11C below.

[0037] Figure 1 is a three-dimensional diagram of the swing adsorption system **100** having six adsorbent bed units and interconnecting piping. This configuration broadly relates to adsorbent bed units that can be deployed in a symmetrical orientation, as shown, or non-symmetrical orientation and/or combination thereof. Further, this specific configuration is for exemplary purposes as other configurations may include different numbers of adsorbent bed units.

[0038] In this system, the adsorbent bed units, such as adsorbent bed unit **102**, may be configured for a cyclical swing adsorption process for removing contaminants from gas feed streams. For example, the adsorbent bed unit **102** may include various conduits (e.g., conduit **104**) for managing the flow of fluids through, to or from the adsorbent bed within the adsorbent bed unit **102**. These conduits from the adsorbent bed units may be coupled to a manifold (e.g., manifold **106**) to distribute the flow to, from or between components. The adsorbent bed may separate one or more contaminants from the gaseous feed stream to form a product stream. As may be appreciated, the adsorbent bed units may include other conduits to control other fluid streams as part of the process, such as purge streams, depressurizations streams, heating or cooling streams and the like. Further, the adsorbent bed unit may also include one or more equalization vessels, such as equalization vessel **108**, which are dedicated to the adsorbent bed unit and may be dedicated to one or more step in the process.

[0039] As an example, which is discussed further below in Figure 2, the adsorbent bed unit **102** may include housing, which may include a head portion and other body portions, that forms a substantially gas impermeable partition, an adsorbent bed disposed within the housing and a plurality of valves (e.g., poppet valves) providing flow paths through openings in the housing between the interior region of the housing and locations external to the interior region of the housing. Each of the poppet valves may include a disk element that is seatable within the head or a disk element that is seatable within a separate valve seat inserted within the head (not shown). The configuration of the poppet valves may be any variety of valve patterns or configuration of types of poppet valves. As an example, the adsorbent bed unit may include one or more poppet valves, each in flow communication with a different conduit associated with different streams. The poppet valves may provide fluid communication between the adsorbent bed and one of the respective conduits, manifold or header. The term "in direct flow communication" or "in direct fluid communication" means in direct flow communication without intervening valves or other closure means for obstructing flow. As may be appreciated, other variations may also be envisioned within the scope of the present techniques.

[0040] The adsorbent bed comprises solid adsorbent material capable of adsorbing one or more components from the feed stream. Such solid adsorbent materials are selected to be durable against the physical and chemical conditions within the adsorbent bed unit **102** and can include metallic, ceramic, or other materials, depending on the adsorption process. Further examples of adsorbent materials are noted further below.

[0041] Figure 2 is a diagram **200** of a portion of an adsorbent bed unit having valve

assemblies and manifolds in accordance with an embodiment of the present techniques. The portion of the adsorbent bed unit **200**, which may be a portion of the adsorbent bed unit **102** of Figure 1, includes a housing or body, which may include a cylindrical wall **214** and cylindrical insulation layer **216** along with an upper head **218** and a lower head **220**. An adsorbent bed **210** along with a feed distribution component **270** and product distribution component **272** are disposed between an upper head **218** and a lower head **220** and the insulation layer **216**, resulting in an upper open zone, and lower open zone, which open zones are comprised substantially of open flow path volume. Such open flow path volume in adsorbent bed unit contains gas that has to be managed for the various steps. The housing may be configured to maintain a pressure from 0 bar a (bar absolute) to 100 bar a within the interior region.

[0042] The upper head **218** and lower head **220** contain openings in which valve structures can be inserted, such as valve assemblies **222** to **240**, respectively (e.g., poppet valves). The upper or lower open flow path volume between the respective head **218** or **220** and adsorbent bed **210** can also contain distribution lines, such as feed distribution component **270** and product distribution component **272**, which directly introduce fluids into the adsorbent bed **210**, which may be an assembly of thermal polygon contactors. The upper head **218** contains various openings (not show) to provide flow paths through the inlet manifolds **242** and **244** and the outlet manifolds **248**, **250** and **252**, while the lower head **220** contains various openings (not show) to provide flow paths through the inlet manifold **254** and the outlet manifolds **256**, **258** and **260**. Disposed in fluid communication with the respective manifolds **242** to **260** are the valve assemblies **222** to **240**. If the valve assemblies **222** to **240** are poppet valves, each may include a disk element connected to a stem element which can be positioned within a bushing or valve guide. The stem element may be connected to an actuating means, such as actuating means (not shown), which is configured to have the respective valve impart linear motion to the respective stem. As may be appreciated, the actuating means may be operated independently for different steps in the process to activate a single valve or a single actuating means may be utilized to control two or more valves. Further, while the openings may be substantially similar in size, the openings and inlet valves for inlet manifolds may have a smaller diameter than those for outlet manifolds, given that the gas volumes passing through the inlets may tend to be lower than product volumes passing through the outlets.

[0043] The feed distribution component **270** may be disposed at one end of the adsorbent bed **210** (e.g., fluidly coupled to one or more of the polygon thermal contactors in the assembly of polygon thermal contactors). Similarly, product distribution component **272** may be

disposed at the other end of the adsorbent bed **210** (e.g., fluidly coupled to one or more of the polygon thermal contactors in the assembly of polygon thermal contactors). The feed distribution component **270** and product distribution component **272** may be configured to isolate the fluids from the external channels into a primary fluid zone and the fluids from the internal channels into a secondary fluid zone. The primary fluid zone may manage the flow of fluids specific to the swing adsorption process, such as feed stream, purge stream, blow-down stream, depressurization stream, repressurization stream, and other suitable process streams, while the secondary zone may manage the flow of fluids to heat and cool the respective polygon thermal contactors. In addition, the feed distribution component and product distribution component may be configured to fluidly communicate with one of the polygon thermal contactors of the assembly of polygon thermal contactors or two or more of the polygon thermal contactors of the assembly of polygon thermal contactors. An exemplary assembly of polygon thermal contactors is shown in Figures 3A to 3C.

[0044] Figures 3A, 3B and 3C are diagrams **300**, **320** and **340** of an exemplary assembly of polygon thermal contactors in accordance with an embodiment of the present techniques. In particular, Figure 3A is a diagram **300** of an exemplary assembly of polygon thermal contactors **302** in accordance with an embodiment of the present techniques. In diagram **300**, various polygon thermal contactors **302** are stacked together to form an assembly of polygon thermal contactors. While each of the polygon thermal contactors **302** may include one or more passages, the gaps between polygon thermal contactors **302** in this stacked form provide additional passages for fluid flow. The adjacent groupings of polygon thermal contactors **302** provide uniform fluid channels, which may be formed into a variety of shapes, which depend on the outer surfaces of the polygon thermal contactors **302**. The polygon thermal contactors **302** may be secured together via welds or other suitable means. For example, the polygon thermal contactors may be secured together by a welding a portion of the end portion (e.g., the conduit on the end portion **322**) to a distribution component, as noted further below.

[0045] Figure 3B is a diagram **320** of an exemplary polygon thermal contactor **302** in the assembly of Figure 3A. In this diagram **320**, the polygon thermal contactor **302** has an extruded polygon shape. The polygon thermal contactors **302** may include two end portions **322** and **324**, which are disposed on opposite ends of the polygon thermal contactors, and a body portion **326**, which forms one or more internal passages or channels through the interior of the body portion **326**. One or more of the exterior surfaces of the body portion **326** may have a coating of an adsorbent material that forms an adsorbent layer or coating.

[0046] Figure 3C is a diagram **340** of an exemplary polygon thermal contactor **302** in the assembly of Figure 3B. In diagram **340**, the fluid flow through the passage in the end portion **322**, which is indicated by arrow **342**, is provided into the body portion **326**. Within the body portion **326**, the fluid flow through the passages in the body portion **326**, which is indicated by arrow **344**, may include one or more passages, which may be separate and isolated passages or may permit the exchange of fluids. That is, the body portion **326** may include one or more structural elements **346** (e.g., baffles, surfaces and/or dividers) to manage the fluid flow through the interior of the body portion **326**. Also, the structural elements **346** may be configured to create symmetrical passages or paths through the interior of the polygon thermal contactor.

10 [0047] Beneficially, the assembly of polygon thermal contactors having this configuration provides various enhancements as compared to conventional configurations. For example, the polygon thermal contactor may provide an efficient mechanism to integrate with the supply and collection plenums, such as feed distribution component **270** and product distribution component **272** of Figure 2. That is, the supply of liquid may be passed through the interior passages of the polygon thermal contactors, while the supply of other fluids (e.g., gases) may be provided through the gaps between the polygon thermal contactors. Further, the configuration may also provide bi-directional flow of fluids through the different passages.

[0048] Figures 4A and 4B are diagrams **400** and **420** of the architecture of a polygon thermal contactor in accordance with an embodiment of the present techniques. Specifically, Figure 4A is a diagram **400** of a cross-sectional view of a polygon thermal contactor **402**, which may be one of the polygon thermal contactors **302** of Figures 3A to 3C. The polygon thermal contactor **402** may include an extruded layer **404**, which is the shape that extends along the flow path of the fluids through the polygon thermal contactor **402**. The extruded layer **404** may also include internal structural elements, such as structural elements **406**, to provide different passages through the polygon thermal contactor **402**. These passages may be flow areas, such as flow areas A1, which may have similar areas or different areas depending on the configuration of the structural elements **406** of the extruded layer **404**. Further, the extruded layer **404** may have different thicknesses, such as thickness T1 and T2, depending on the specific application and desired heat transfer.

25
30 [0049] The area of the flow areas A1 as compared with the thickness of the extruded layer T1 may be adjusted to manage the heat transfer for the polygon thermal contactor **402**. The ratio of the flow area to extruded layer may be in the range between 0.5 and 3.0, between 0.7 and 2.0 or between 0.8 and 1.3. As an example, with reference to diagram **400**, the length of

the sides L1 is 0.44 inches (0.011176 meters (m)), the thickness T1 is 0.03 inches (0.000762 m), while the thickness T2 is 0.02 inches (0.000508 m). In this configuration, the flow areas A1 are substantially similar, which may each provide a flow area of 0.013 squared inches (0.0003302 m).

5 [0050] Further, the extruded layer **404** may also include spacing element **408** (e.g., an integrated spacer tab). The spacing element **408** may be utilized to provide additional passages (e.g., external channels) when the polygon thermal contactors are disposed adjacent to each other. The spacing element may provide a uniform external channel (when disposed between two adjacent polygon thermal contactors) and may also be utilized to provide supports for the
10 assembly of polygon thermal contactors. The height of the spacing element **408** may be adjusted based on the desired passage dimensions between adjacent polygon thermal contactors. For example, the height of the spacing element **408** may be any suitable length. For example, the height of the spacing element **408** may be between 25 micrometers to 500 micrometers, between 50 micrometers and 400 micrometers and between 75 micrometers and
15 250 micrometers. Moreover, the number of spacing elements along one side of the polygon thermal contactor **402** may also be adjusted. For example, each side of the polygon thermal contactor **402** may include one spacing element (e.g., one in the middle), which may result in two passages for each side that are shared with other polygon thermal contactors. Further, as another example, each side of the polygon thermal contactor **402** may include three spacing
20 elements (e.g., one at each end of the side and one in the middle), which may result in two passages for each side. Alternatively, the each side of the polygon thermal contactor **402** may include four spacing elements (e.g., one at each end of the side and two spaced evenly from the respective ends), which may result in three passages. Furthermore, while the spacing element **408** is an integrated portion of the extruded layer **404** in this embodiment, other embodiments
25 may include the spacing element as a separate component.

[0051] Also, each side or surface of the polygon thermal contactor may include different configurations of spacing elements or notches to provide this functionality. For example, one polygon thermal contactor may have no spacing elements on one external surface, while an adjacent polygon thermal contactor may include one or more spacing elements. As a further
30 example, in other configurations, the spacing elements of one or more of the polygon thermal contactors may include notches within the side or external surface of the polygon thermal contactor. The notches may be used to align different components or elements, such as other polygon thermal contactors, for example.

[0052] The polygon thermal contactor **402** may also include an exterior adsorbent layer **410** disposed on the extruded layer **404**. The adsorbent layer **410** may have a thickness in the range of 50 microns to 500 microns, in the range of 75 microns to 300 microns, or in the range of 100 microns to 200 microns. The adsorbent layer **410** may include an adsorbent material that is configured to separate a target gas from a gaseous mixture. The adsorbent layer **410** may include an adsorbent material supported on a non-adsorbent support. The adsorbent materials may include alumina, microporous zeolites, carbons, cationic zeolites, high silica zeolites, highly siliceous ordered mesoporous materials, sol gel materials, aluminum phosphorous and oxygen (ALPO) materials (microporous and mesoporous materials containing predominantly aluminum phosphorous and oxygen), silicon aluminum phosphorous and oxygen (SAPO) materials (microporous and mesoporous materials containing predominantly silicon aluminum phosphorous and oxygen), metal organic framework (MOF) materials (microporous and mesoporous materials comprised of a metal organic framework) and zeolitic imidazolate frameworks (ZIF) materials (microporous and mesoporous materials comprised of zeolitic imidazolate frameworks). Other materials may include microporous and mesoporous sorbents functionalized with functional groups. Examples of functional groups include primary, secondary, tertiary and other non protogenic basic groups such as amidines, guanidines and biguanides.

[0053] Figure 4B is a diagram **420** of a three-dimensional view of the polygon thermal contactor **402** of Figure 4B. In this diagram **420**, the polygon thermal contactor **402** is shown with the extruded layer **404**, structural elements **406**, and spacing elements **408**. The integration of the polygon thermal contactor with other polygon thermal contactors is shown further in Figures 5A to 5C.

[0054] Figures 5A, 5B and 5C are diagrams **500**, **520** and **540** of the polygon thermal contactor in accordance with an embodiment of the present techniques. Specifically, Figure 5A is a diagram **500** of a cross-sectional view of an assembly of polygon thermal contactors **502**, which may be the polygon thermal contactor **402** of Figures 4A to 4B. In this configuration, the assembly has three rows of polygon thermal contactors **502**, which have surfaces of the adsorbent layers adjacent to each other. Each polygon thermal contactors **502** in this configuration has three internal passages, such as passage **504**, which are within the internal region of the respective polygon thermal contactors **502**. In addition, each pair of adjacent surfaces (e.g., the adsorbent layers of the respective polygon thermal contactors **502** in the pair) may form two external passages, such as passage **506**, between respective polygon

thermal contactors **502** in the pair.

[0055] Figure 5B is a diagram **520** of a three-dimensional view of the assembly of polygon thermal contactors of Figure 5A. In this diagram **520**, the polygon thermal contactors **502** are shown with the internal passages, such as passages **504**, formed by the extruded layer and structural elements and the external passages, such as passages **506**, formed between the
5 respective polygon thermal contactors **502** that have adjacent surfaces.

[0056] Figure 5C is a diagram **540** of another cross-sectional view of an assembly of polygon thermal contactors **502**, which may be a portion of the assembly of polygon thermal contactors **502** of Figures 5A and 5B. In this diagram **540**, the polygon thermal contactors **502**
10 are shown with the internal passages **504** formed by the extruded layer and structural elements and the external passages **506** formed between the respective polygon thermal contactors **502** that have adjacent surfaces. Each of the polygon thermal contactors **502** may have an adsorbent layer **542** that is disposed on the external surface of the respective polygon thermal contactors **502**. Also, each of the polygon thermal contactors **502** may also have a spacing element **544**
15 that is disposed on the external surface for each side of the respective polygon thermal contactors **502**. As shown, the spacing elements **544** for two polygon thermal contactors **502** may be configured to contact each other to form the external passages, which may have a thickness **546** between 500 micrometers and 50 micrometers, between 350 micrometers and 75 micrometers, and between 100 micrometers and 200 micrometers. As a specific example the
20 thickness may be 200 micrometers.

[0057] The configuration of the external channels formed between two adjacent polygon thermal contactors may be configured to enhance the ratio of the micro-gas channel to surface area ratio. The ratio of the micro-gas channel to surface area may be in the range between 0.5 and 3.0, between 0.7 and 2.0 or between 0.8 and 1.2.

[0058] Further, the configuration of the assembly of polygon thermal contactors may be configured to provide a specific ratio of cross section area of the total internal channels (e.g., coolant or secondary passages) to the cross section area of the external channels (e.g., adsorbent or primary passages). As an example, the external passages may be utilized for gas streams, while the internal passages may be utilized for liquid streams. The ratio of total liquid area
25 (e.g., total internal channels area) as compared with the total gaseous area (e.g., total external channels area). The ratio of the total internal channels area to the total external channels area may be in the range between 0.5 and 3.0, between 0.7 and 2.0 or between 0.8 and 1.2.
30

[0059] Figures 6A, 6B and 6C are diagrams **600**, **620** and **640** of the unit cell geometry of a polygon thermal contactor in accordance with an embodiment of the present techniques. Figure 6A is a diagram **600** of a cross-sectional view of an assembly of a polygon thermal contactor **602**, which may be the polygon thermal contactor **502** of Figures 5A to 5C. In this
 5 diagram **600**, the coated area **604** may be 0.01 inches squared (in²) (0.000254 meters squared (m²)).

[0060] Figure 6B is a diagram **620** of a cross-sectional view of the polygon thermal contactor **602**. In this diagram **620**, the flow passage area **622** may be 0.13 in². If the three passages are similar, the total area for the three passages may be 0.39 in². The polygon thermal
 10 contactor may include metal, ceramic, or other suitable material.

[0061] Figure 6C is a diagram **640** of a cross-sectional view of an assembly of the polygon thermal contactor **602**. In this diagram **640**, the extruded layer area **642** may be 0.41 in². The extruded layer may be a metal that is used as the base structure for the polygon thermal contactor **602**.

[0062] Figures 7A, 7B and 7C are diagrams of fabrication steps for a polygon thermal contactor in accordance with an embodiment of the present techniques. Figure 7A is a diagram
 15 **700** of a polygon thermal contactor **702**, which may be the polygon thermal contactor **302** of Figures 3A to 3C or the polygon thermal contactor **402** of Figures 4A to 4B, for example. This polygon thermal contactor **702** may be fabricated to have a length **704**. The length **704** of the
 20 may be polygon thermal contactor **702** may be between 12 inches and 120 inches (0.3048 m and 3.048 m); between 18 inches and 60 inches (0.4572 m and 1.524 m); and between 24 inches and 48 inches (0.6096 m and 1.2192 m), or may about 36 inches (0.9144 m). As part of the fabrication process, the different portions of the polygon thermal contactor **702** may be
 25 fabricated as separate components that are connected together. For example, the polygon thermal contactor may be fabricated via three-dimensional printing techniques. As another example, the polygon thermal contactor may be fabricated, and then the adsorbent layer may be applied. The application of the adsorbent layer may include applying the adsorbent via spray, via depositional techniques and/or via the electrical charge technique.

[0063] For example, Figure 7B is a diagram **720** of an exploded view of the end portion
 30 **722** and a body portion **724** of the polygon thermal contactor **702** of Figure 7A. The end portion **722** has a conduit **726** and a closure plate **728**, which may be coupled together or may be cast as a single component. The conduit **726** and a closure plate **728** may be made predominately from stainless steel or other suitable material. The closure plate **728** may also include a

recessed pocket **730** to further enhance liquid distribution or collection. The body portion **724** of the polygon thermal contactor **702** may include the extruded layer **732** and structural elements **734** along with an absorbent layer **736** disposed on the outer surface of the body portion **724**. Further, the extruded layer **732** may also include spacing elements **733** formed on the external surface of the extruded layer **732**. The extruded layer **732** and structural elements **734** may be composed of stainless steel or other suitable materials. The extruded layer **732** and structural elements **734** may form one or more fluid flow passages, such as passages **738**. The extruded layer **732** and structural elements **734** may be formed by an extrusion process. Then, the absorbent layer **736** may be formed via a deposition process. Finally, the ends of the end portion **722** and a body portion **724** may be joined by a brazing process, as shown by the arrow **739**.

[0064] Figure 7C is a diagram **740** of the assembled polygon thermal contactor **702**. As shown in this diagram **740**, the end portion **722** and the body portion **724** are coupled together to form one end of the polygon thermal contactor **702**. The coupling of the end portion **722** and the body portion **724** may involve welding, adhesives, fasteners or other suitable mechanism to secure the end portion **722** and the body portion **724** together. The coupling of the end portion **722** and the body portion **724** may prevent the flow of fluids from within the internal region formed by the end portion **722** and the body portion **724**. A similar process may be used to couple the other end portion (not shown) to the body portion **724** to form the polygon thermal contactor **702**.

[0065] Figures 8A, 8B, 8C, 8D and 8E are diagrams of fabrication steps for an assembly of polygon thermal contactors in accordance with an embodiment of the present techniques. Figure 8A is a diagram **800** of a top view of a group of polygon thermal contactors **802**, which may include the polygon thermal contactor **702** of Figures 7A to 7C, coupled together to form an assembly of polygon thermal contactors. The polygon thermal contactors **802** may be coupled together via welds, such as weld **804**, as part of the fabrication process. The weld **804** may be located above the spacing element of the respective polygon thermal contactors **802**. As may be appreciated other attachments methods may be utilized to couple the polygon thermal contactors **802**.

[0066] Figure 8B is a diagram **820** of an alternative view of the assembly of polygon thermal contactors.

[0067] Once the assembly of the polygon thermal contactors **802** is coupled together, the feed distribution component **842** may be provided, as shown in Figure 8C. Figure 8C is a

diagram **840** of an assembly of polygon thermal contactors **802** from Figures 8A and 8B. In this diagram **840**, the feed distribution component **842** may include a top plate **844**, support bars **846**, and a bottom plate **848**. The top plate **844**, support bars **846**, and a bottom plate **848** may be composed of any material that is able to withstand the pressure swing loading along with the thermal movement, which may be secured together via welds, glue or other suitable means. For example, the top plate **844**, support bars **846**, and a bottom plate **848** may be composed of stainless steel or other suitable material (e.g., marine grade stainless steel, such as American Iron and Steel Institute (AISI) or Society of Automobile Engineers (SAE) type 316 stainless steel). The top plate **844** may be coupled to the support bars **846**, and then moved along the arrow **850** to integrate with the bottom plate **848**. The bottom plate **848** may be configured to be disposed to provide a passage **852**. The passage **852** may provide a channel for fluid flow through the polygon thermal contactors **802** and along the adsorbent layer of the polygon thermal contactors **802**. The height **854** of the passage (e.g., distance between the bottom plate **848** and the closure plate of the polygon thermal contactors **802**). The specific configuration of the passage **852** may depend on the height of the primary fluid zone may be based on the primary fluids (e.g., feed streams, product streams, waste streams and purge streams) being provided to and from the polygon thermal contactor, the uniformity pattern of the fluids, the volume of primary fluid zone, the cross section dimensions of the polygon thermal contactors and any combination thereof. Accordingly, the height **854** of the primary fluid zone may be between 0.1 inches and 3 inches (0.00254 m and 0.0762 m), between 0.15 inches and 2 inches (0.00381 m and 0.0508 m) and/or between 0.2 inches and 1 inch (0.00508 m and 0.0254 m). As an example, the depth of the primary fluid zone may be about 0.1875 inches (0.0047625 m). The distance between the bottom plate **848** and the closure plate may be adjusted to lessen the bed volume dead space, which may involve additional purge gas to sweep clean the passages.

[0068] Figure 8D is a diagram **860** of the feed distribution component **842** coupled to the assembly of polygon thermal contactors **802**. In this configuration, the feed distribution component **842** may provide a passage **862** (e.g., secondary fluid zone) that provides access to the polygon thermal contactors **802** via the respective conduits. The passage **862** is defined by the top plate **844**, support bars **846**, and the bottom plate **848**. The height **864** may be based on the fluids being provided to the internal passages via the mid-purge distribution zone, the volume of purge fluid to be utilized in the purge step, the cross section dimensions of the contactor and any combination thereof. Accordingly, the height **864** may be between 0.2 inches and 10 inches (0.00508 m and 0.254 m), between 0.5 inches and 5 inches (0.0127 m and 0.127

m) and between 0.75 inches and 2 inches (0.01905 m and 0.0508 m). As an example, the height **864** of the passage (e.g., distance between the top plate **844** and the bottom plate **848**) may be about 0.8125 inches (0.0206375 m).

[0069] Figure 8E is a diagram **880** of the feed distribution component **842** coupled to the assembly of polygon thermal contactors **802**. As shown in this diagram **880**, the feed distribution component **842** may also include walls to further manage fluid flow through the respective passages. The different conduits providing fluid communication with the different passages is not shown in this diagram **880**. The surfaces of the passages may include a coated surface. As may be appreciated, the product distribution component (not shown) may include a top plate, support bars, and a bottom plate, and be assembled in the similar manner to the feed distribution component **842**.

[0070] Figures 9A, 9B, 9C, 9D, 9E and 9F are diagrams **900**, **910**, **920**, **930**, **940** and **950** of an adsorbent bed unit and fabrication steps for the adsorbent bed unit in accordance with an embodiment of the present techniques. Figures 9A to 9C are the fabrication steps, while Figures 9D to 9F are different views of the adsorbent bed unit's components. Figure 9A is a diagram **900** of adsorbent bed unit housing **902** and a contactor assembly support **904**. The contactor assembly support **904** may be utilized to provide stability to the polygon thermal contactors and to prevent fluids from bypassing the polygon thermal contactors. The contactor assembly support **904** may be formed into a fluid impermeable housing to manage the flow of fluids within the adsorption bed unit housing **902**. Figure 9D is a diagram **930** of adsorbent bed unit housing **902** and a contactor assembly support **904** of Figure 9A.

[0071] Figure 9B is a diagram **910** of adsorbent bed unit housing **902**, the contactor assembly support **904**, and polygon thermal contactors **912**. The polygon thermal contactors **912** are inserted into the different compartments of the contactor assembly support **904**, as shown by the arrow **914**. Figure 9E is a diagram **940** of adsorbent bed unit housing **902**, contactor assembly support **904** and polygon thermal contactors **912** of Figure 9B.

[0072] Figure 9C is a diagram **920** of adsorbent bed unit housing **902**, the contactor assembly support **904**, and polygon thermal contactors **912** in the installation of Figure 9B. The polygon thermal contactors **912** disposed within the different compartments of the contactor assembly support **904** in this configuration. The polygon thermal contactors **912** may be the assembly of polygon thermal contactors **802** of Figure 8E.

[0073] Figure 9F is a diagram **950** of the contactor assembly support **904**, which may be

used in the Figures 9A to 9D. The contactor assembly support **904** has various divider elements **952** that are utilized to form the housing walls or surfaces. The contactor assembly support **904** and divider elements **952** may be a fluid impermeable housing that forms one or more compartments. These compartments may be formed to house one or more polygon thermal
5 contactors.

[0074] Figures 10A, 10B, 10C and 10D are diagrams **1000**, **1020**, **1040** and **1060** of thermal contactor liquid dynamics in accordance with an embodiment of the present techniques. Figure 10A is a diagram **1000** of a partial view of an adsorbent bed unit **1002** and a contactor assembly support **1003** and an assembly of polygon thermal contactors **1006**, which may each be the
10 components from Figures 9A to 9E. In this diagram **1000**, the inlet fluid may be provided as shown by arrow **1008** and the outlet may be provided as shown by arrow **1010**. Within the polygon thermal contactors **1006**, the fluid may flow through the internal channels of one of the polygon thermal contactors, as shown by arrow **1012**, while another fluid may flow through the channels of another polygon thermal contactor or another channel of the same polygon
15 thermal contactor. Further, yet another fluid may be provided and flow in the external channels formed between two or more of the polygon thermal contactors, as shown by arrow **1014**.

[0075] For example, the adsorbent bed unit **1002** may include one or more polygon thermal contactors **1006**, which are disposed in a contactor assembly support **1003**. In this configuration, a gas stream may be provided that flows along the external channels or passages
20 between two or more of the polygon thermal contactors **1006**. The gas stream may pass below the plenum into the external channels formed between the polygon thermal contactors **1006** in the contactor assembly support **1003**. Certain liquids may be utilized to flow within the polygon thermal contactors **1006** to manage the temperature of the adsorbent coating on the exterior of the polygon thermal contactors **1006**.

[0076] Figure 10B is a diagram **1020** of the polygon thermal contactors **1006** and a portion of the feed distribution component **1022**, which may be the feed distribution component **842** of Figure 8C. As shown in this diagram **1020**, a fluid stream (e.g., gas stream) may pass from the primary fluid zone (e.g., region formed below the bottom plate of the feed distribution component and above the contactor) into the passages between the polygon thermal contactors
30 **1006**. This configuration may provide a unidirectional flow for the gas stream through the polygon thermal contactors **1006** in a specific contactor assembly support. As may be appreciated, different contactor assembly supports within an adsorbent bed unit may be configured to flow in different directions to provide stability to the adsorbent bed unit and/or

optimize the efficiency of the dynamics for the process or the adsorbent bed unit.

[0077] Figure 10C is a diagram **1040** of a different view of the polygon thermal contactors **1006**. In this diagram **1040**, the gas stream may flow along the passages indicated by arrow **1042**, while the liquid stream may flow along the passages indicated by arrow **1044**. The feed
5 distribution component acts as a diffuser that directs the gas between the plenums.

[0078] Figure 10D is a diagram **1060** of a different view of the assembly of polygon thermal contactors **1006**. In this diagram **1060**, the polygon thermal contactors **1006** may have a liquid plenum inlet **1062** and a liquid plenum outlet **1064**. These plenums may operate separately for different compartments and/or may operate the same for different compartments.

10 [0079] Figures 11A, 11B and 11C are diagrams **1100**, **1120** and **1140** of an adsorbent bed unit in accordance with an embodiment of the present techniques. Figure 11A is a diagram **1100** of the adsorbent bed unit housing **1102** and a contactor assembly support **1104** and an assembly of polygon thermal contactors, which may be adsorbent bed unit **1002** and associated components from Figures 10A to 10D. In this diagram **1100**, the configuration of the adsorbent
15 bed unit may include a contactor assembly support **1104** and an assembly of polygon thermal contactors. The configuration may include a feed side valve **1108**, liquid inlet plenum **1110**, a vapor seal **1112**, liquid outlet plenum **1114** and product side valve **1116**. The feed side valve **1108** and product side valve **1116** may be openings, which have poppet valves. The liquid inlet plenum **1110**, vapor seal **1112**, and liquid outlet plenum **1114** may be used to manage the flow
20 of fluids through the polygon thermal contactors **1106**. In particular, the vapor seal **1112** may be used to lessen or eliminate gaseous streams from paths along the sides of the shell or housing (e.g., adsorbent bed unit **1102** and/or contactor assembly support **1104**). The depth **1118** may be between 12 inches and 120 inches (0.3048 m and 3.048 m); between 18 inches and 60 inches (0.4572 m and 1.524 m); and between 24 inches and 48 inches (0.6096 m and 1.2192 m), or
25 may about 36 inches (0.9144 m), while the depth **1119** may be between 0.2 inches and 10 inches (0.00508 m and 0.254 m), between 0.5 inches and 5 inches (0.0127 m and 0.127 m) and between 0.75 inches and 2 inches (0.01905 m and 0.0508 m).

[0080] Figure 11B is a diagram **1120** of a different view of the adsorbent bed unit **1102**, contactor assembly support **1104** and polygon thermal contactors **1106**. In this diagram **1120**,
30 a concentric step **1122** is utilized. The step **1122** may be machined into the vessel and used as a closure flange. Also, within the step **1122**, an internal by-pass seal **1124** may be utilized to further isolate fluid flow from the adsorbent bed unit **1102** and the contactor assembly support **1104**.

[0081] Figure 11C is a diagram 1140 of a different view of the adsorbent bed unit 1102, contactor assembly support 1104 and polygon thermal contactors 1106. In this diagram 1140, the internal by-pass seal 1124 is shown along the internal portion of the adsorbent bed unit 1102 and the contactor assembly support 1104.

5 [0082] In one or more embodiments, the adsorbent bed assembly may include an adsorbent bed that can be used for the separation of a target gas from a gaseous mixture. The adsorbent is usually comprised of an adsorbent material supported on a non-adsorbent support, or contactor. Such contactors contain substantially parallel flow channels wherein 20 volume percent, preferably 15 volume percent or less of the open pore volume of the contactor, 10 excluding the flow channels, is in pores greater than about 20 angstroms. A flow channel is taken to be that portion of the contactor in which gas flows, if a steady state pressure difference is applied between the point or place at which a feed stream enters the contactor and the point or place at which a product stream leaves the contactor. In the contactor, the adsorbent is incorporated into the wall of the flow channel.

15 [0083] Non-limiting examples of adsorbent materials that can be used with the method and system include high surface area (greater than (>) 10 m²/gm and preferably > 75 m²/gm) alumina, microporous zeolites (preferably zeolites with particle sizes less than (<) 1 mm), other microporous materials, mesoporous materials and ordered mesoporous materials. Nonlimiting examples of these materials include carbons, cationic zeolites, high silica zeolites, highly 20 siliceous ordered mesoporous materials, sol gel materials, ALPO materials (microporous and mesoporous materials containing predominantly aluminum phosphorous and oxygen), SAPO materials (microporous and mesoporous materials containing predominantly silicon aluminum phosphorous and oxygen), MOF materials (microporous and mesoporous materials comprised of a metal organic framework) and ZIF materials (microporous and mesoporous materials 25 comprised of zeolitic imidazolate frameworks). Other materials include microporous and mesoporous sorbents functionalized with functional groups. Examples of functional groups include primary, secondary, tertiary and other non protogenic basic groups such as amidines, guanidines and biguanides.

[0084] In one or more embodiments, the swing adsorption process using the polygon 30 thermal contactors of the present techniques is a temperature swing adsorption (TSA) or a rapid cycle temperature swing adsorption (RCTSA). For TSA the total cycle times are typically less than 12 hours, preferably less than 8 hours, preferably less than 6 hours, preferably less than 4 hours. For RCTSA the total cycle times are typically less than 600 seconds, preferably less

than 200 seconds, more preferably less than 100 seconds, and even more preferably less than 60 seconds.

[0085] Adsorptive kinetic separation processes, apparatus, and systems, as described above, are useful for development and production of hydrocarbons, such as gas and oil processing. Particularly, the provided processes, apparatus, and systems are useful for the rapid, large scale, efficient separation of a variety of target gases from gas mixtures. In particular, the processes, apparatus, and systems may be used to prepare natural gas products by removing contaminants and heavy hydrocarbons, i.e., hydrocarbons having at least two carbon atoms. The provided processes, apparatus, and systems are useful for preparing gaseous feed streams for use in utilities, including separation applications such as dew point control, sweetening/detoxification, corrosion protection/control, dehydration, heating value, conditioning, and purification. Examples of utilities that utilize one or more separation applications include generation of fuel gas, seal gas, non-potable water, blanket gas, instrument and control gas, refrigerant, inert gas, and hydrocarbon recovery. Exemplary "not to exceed" product (or "target") gas specifications include: (a) 2 volume percent (vol.%) CO₂, 4 parts per million (ppm) H₂S, (b) 50 ppm CO₂, 4 ppm H₂S, or (c) 1.5 vol.% CO₂, 2 ppm H₂S.

[0086] The provided processes, apparatus, and systems may be used to remove acid gas from hydrocarbon streams. Acid gas removal technology may be useful for gas reserves that exhibit higher concentrations of acid gas, i.e., sour gas resources. Hydrocarbon feed streams vary widely in amount of acid gas, such as from several parts per million acid gas to 90 vol.% acid gas. Non-limiting examples of acid gas concentrations from exemplary gas reserves include concentrations of at least: (a) 1 vol.% H₂S, 5 vol.% CO₂, (b) 1 vol.% H₂S, 15 vol.% CO₂, (c) 1 vol.% H₂S, 60 vol.% CO₂, (d) 15 vol.% H₂S, 15 vol.% CO₂, and (e) 15 vol.% H₂S, 30 vol.% CO₂.

[0087] In one or more embodiments, the streams provided to the adsorbent bed and removed from an adsorbent bed may have different compositions. For example, the hydrocarbon containing stream may have greater than 0.005 volume percent CO₂ based on the total volume of the gaseous feed stream and an adsorbent material in the adsorbent bed has a higher selectivity to CO₂ as compared to hydrocarbons. Also, the product stream may have greater than 98 volume percent hydrocarbons based on the total volume of the product stream. Further, the gaseous feed stream may be a hydrocarbon containing stream having greater than 20 volume percent CO₂ based on the total volume of the gaseous containing stream.

[0088] In view of the many possible embodiments to which the principles of the disclosed

invention may be applied, it should be recognized that the illustrative embodiments are only preferred examples of the invention and should not be taken as limiting the scope of the invention.

CLAIMS

What is claimed is:

1. An adsorbent bed unit for a cyclical swing process comprising:
 - a housing having an interior region;
 - 5 an assembly of thermal polygon contactors disposed in the interior region, each of the thermal polygon contactors having one or more internal channels within each of the thermal polygon contactors and one or more external channels formed between two or more of the thermal polygon contactors in the assembly of thermal polygon contactors, wherein at least one external surface for each of the thermal polygon contactors has an adsorbent coating; and
 - 10 wherein the adsorbent bed unit is configured to isolate direct fluid communication between fluids in the one or more internal channels and fluids in the one or more external channels.
- 15 2. The adsorbent bed unit of claim 1, further comprising a feed distribution component coupled to one or more of the thermal polygon contactors, wherein the feed distribution component is configured to:
 - provide fluid communication between a feed secondary fluid zone and the one or more internal channels;
 - 20 provide fluid communication between a feed primary fluid zone and the one or more external channels; and
 - isolate direct fluid communication between the one or more external channels and the one or more internal channels.
- 25 3. The adsorbent bed unit of any one of claims 1 to 2, further comprising a product distribution component coupled to one or more of the thermal polygon contactors, wherein the product distribution component is configured to:
 - provide fluid communication between a product secondary fluid zone and the one or more internal channels;
 - 30 provide fluid communication between a product primary fluid zone and the one or more external channels; and

isolate direct fluid communication between the one or more external channels and the one or more internal channels.

4. The adsorbent bed unit of any one of claims 2 to 3, wherein the one or more of the feed
5 distribution component and the product distribution component is coupled to the one or more
of the thermal polygon contactors via a weld.
5. The adsorbent bed unit of any one of claims 1 to 4, further comprising one or more
spacing elements associated with one of the thermal polygon contactors and configured to
10 provide structure for a portion of the one or more external channels.
6. The adsorbent bed unit of claim 5, wherein the one or more spacing elements have a
height between 25 micrometers to 500 micrometers.
- 15 7. The adsorbent bed unit of any one of claims 1 to 6, wherein the housing is configured
to maintain a pressure from 0 bar a to 100 bar a within the interior region.
8. The adsorbent bed unit of any one of claims 1 to 7, wherein the one or more internal
channels and the one or more external channels are configured to have a ratio of total internal
20 channels area to total external channels area in the range between 0.5 and 3.0.
9. The adsorbent bed unit of any one of claims 1 to 7, wherein the one or more internal
channels and the one or more external channels are configured to have a ratio of total internal
channels area to total external channels area in the range between 0.8 and 1.2.
- 25 10. The adsorbent bed unit of any one of claims 1 to 9, wherein one or more internal
channels and one or more external channels are configured to provide substantially parallel and
isolated fluid flow along the axial length of the thermal polygon contactors.
- 30 11. A method of manufacturing an adsorbent bed unit, comprising:
fabricating a plurality of thermal polygon contactors, wherein each of the plurality of
thermal polygon contactors comprises one or more internal channels within each of the thermal
polygon contactors and wherein at least one external surfaces for each of the thermal polygon

contactors has an adsorbent coating;

securing two or more of the plurality of thermal polygon contactors to each other to form an assembly of thermal polygon contactors, wherein one or more external channels are formed between two or more of the thermal polygon contactors;

5 constructing an adsorbent bed unit housing, wherein the an adsorbent bed unit housing has an interior region; and

disposing the assembly of contactors into the adsorbent bed unit housing.

12. The method of claim 11, wherein one or more internal channels and one or more
10 external channels are configured to provide substantially parallel and isolated fluid flow along the axial length of the thermal polygon contactors.

13. The method of any one of claims 11 to 12, wherein fabricating the plurality of thermal polygon contactors, further comprises:

15 forming a body portion into a polygon shape having a first end and a second end, wherein the body portion is configured to provide the one or more internal channels through an axial length from the first end to the second end, wherein the one or more internal channels provide one or more enclosed fluid flow passages from a first opening at a first end of the body portion along the axial length of the body portion to a second opening at a second end of the
20 body portion;

disposing an adsorbent coating on at least one external surface of the body portion;

forming a first end portion coupled to the first end of the body portion; and

forming a second end portion coupled to the second end of the body portion.

25 14. The method of any one of claims 11 to 13, wherein the adsorbent coating comprises one or more of alumina, microporous zeolites, carbons, cationic zeolites, high silica zeolites, highly siliceous ordered mesoporous materials, sol gel materials, ALPO materials, SAPO materials, MOF materials and ZIF materials.

30 15. The method of any one of claims 11 to 14, further comprising disposing a liner around a portion of the assembly of thermal polygon contactors.

16. The method of any one of claims 11 to 15, further comprising coupling a feed distribution component to one or more of the thermal polygon contactors at a first end of the assembly of thermal polygon contactors, wherein the feed distribution component is configured to:
- 5 provide fluid communication between a feed secondary fluid zone and the one or more internal channels;
- provide fluid communication between a feed primary fluid zone and the one or more external channels; and
- 10 isolate direct fluid communication between the one or more external channels and the one or more internal channels.
17. The method of any one of claims 11 to 16, further comprising coupling a product distribution component to one or more of the thermal polygon contactors at a second end of the assembly of thermal polygon contactors, wherein the product distribution component is configured to:
- 15 provide fluid communication between a product secondary fluid zone and the one or more internal channels;
- provide fluid communication between a product primary fluid zone and the one or more external channels; and
- 20 isolate direct fluid communication between the one or more external channels and the one or more internal channels.
18. The method of any one of claims 11 to 17, further comprising disposing a sealing component between the housing and the assembly of thermal polygon contactors, wherein the sealing component is configured to prevent fluids from passing between the housing and the assembly of thermal polygon contactors.
- 25
19. The method of any one of claims 11 to 17, further comprising forming one or more spacing elements for each of the thermal polygon contactors and configured to provide structure for a portion of the one or more external channels.
- 30

20. The method of claim 19, wherein the one or more spacing elements have a height between 25 micrometers to 500 micrometers.
21. The method of any one of claims 11 to 20, wherein the one or more internal channels and the one or more external channels are configured to have a ratio of total internal channels area to total external channels area in the range between 0.5 and 3.0.
22. The method of any one of claims 11 to 20, wherein the one or more internal channels and the one or more external channels are configured to have a ratio of total internal channels area to total external channels area in the range between 0.8 and 1.2.
23. A cyclical swing adsorption process for removing contaminants from gas feed streams comprising the steps of:
- a) passing a gaseous feed stream through an adsorbent bed unit having an assembly of thermal polygon contactors to separate one or more contaminants from the gaseous feed stream to form a product stream, wherein the assembly of thermal polygon contactors have one or more internal channels within each of the thermal polygon contactors and one or more external channels formed between two or more of the thermal polygon contactors in the assembly of thermal polygon contactors, wherein at least one external surface for each of the thermal polygon contactors have an adsorbent coating; and wherein the adsorbent bed unit is configured to isolate direct fluid communication between fluids in the one or more internal channels and fluids in the one or more external channels;
 - b) interrupting the flow of the gaseous feed stream;
 - c) performing a depressurization step, wherein the depressurization step reduces the pressure within the adsorbent bed unit;
 - d) performing a purge step, wherein the purge step reduces the pressure within the adsorbent bed unit and wherein the purge step involves passing a purge stream to a through one or more of the external channels;
 - e) performing a re-pressurization step, wherein the re-pressurization step increases the pressure within the adsorbent bed unit ; and
 - f) repeating the steps a) to e) for at least one additional cycle,

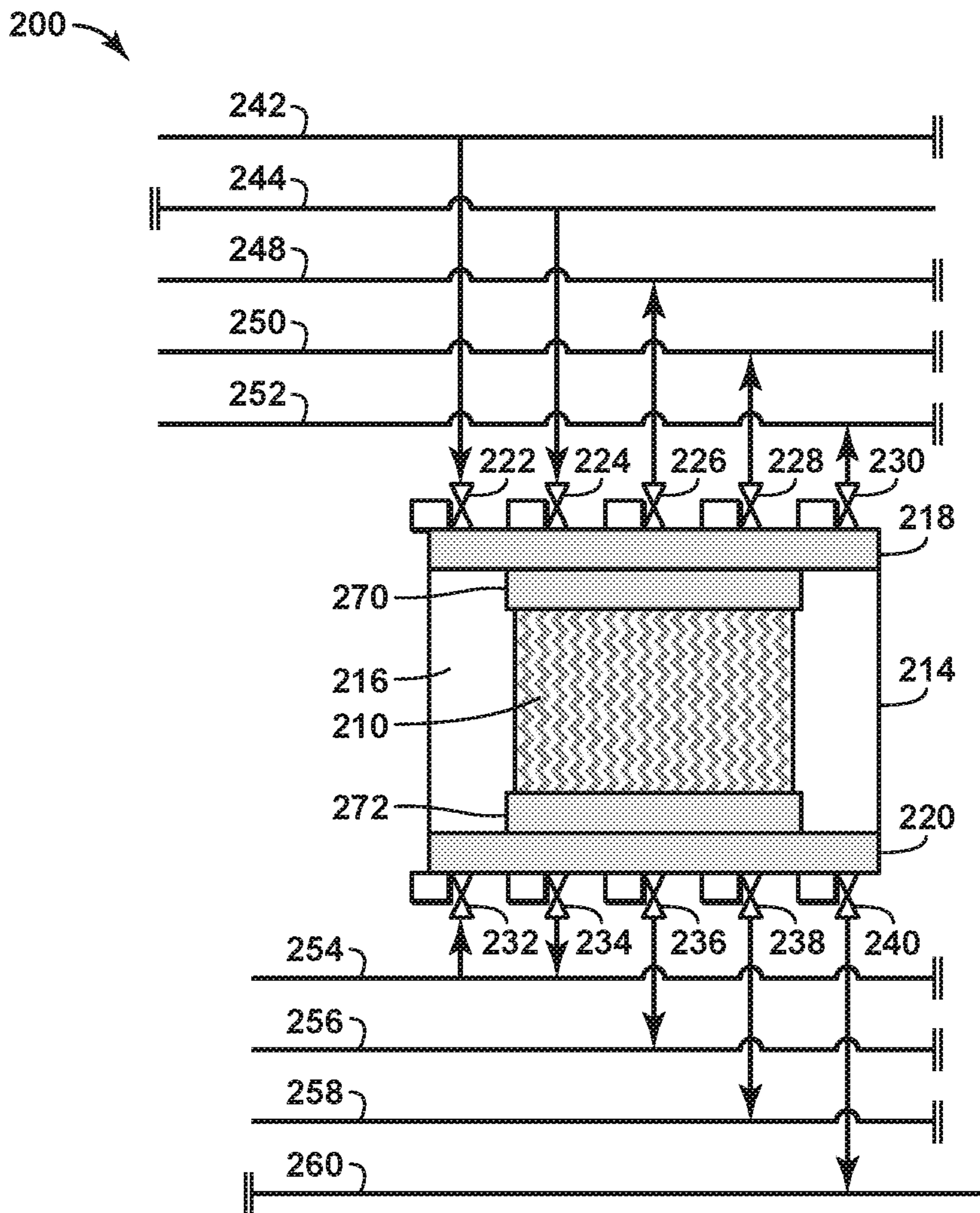
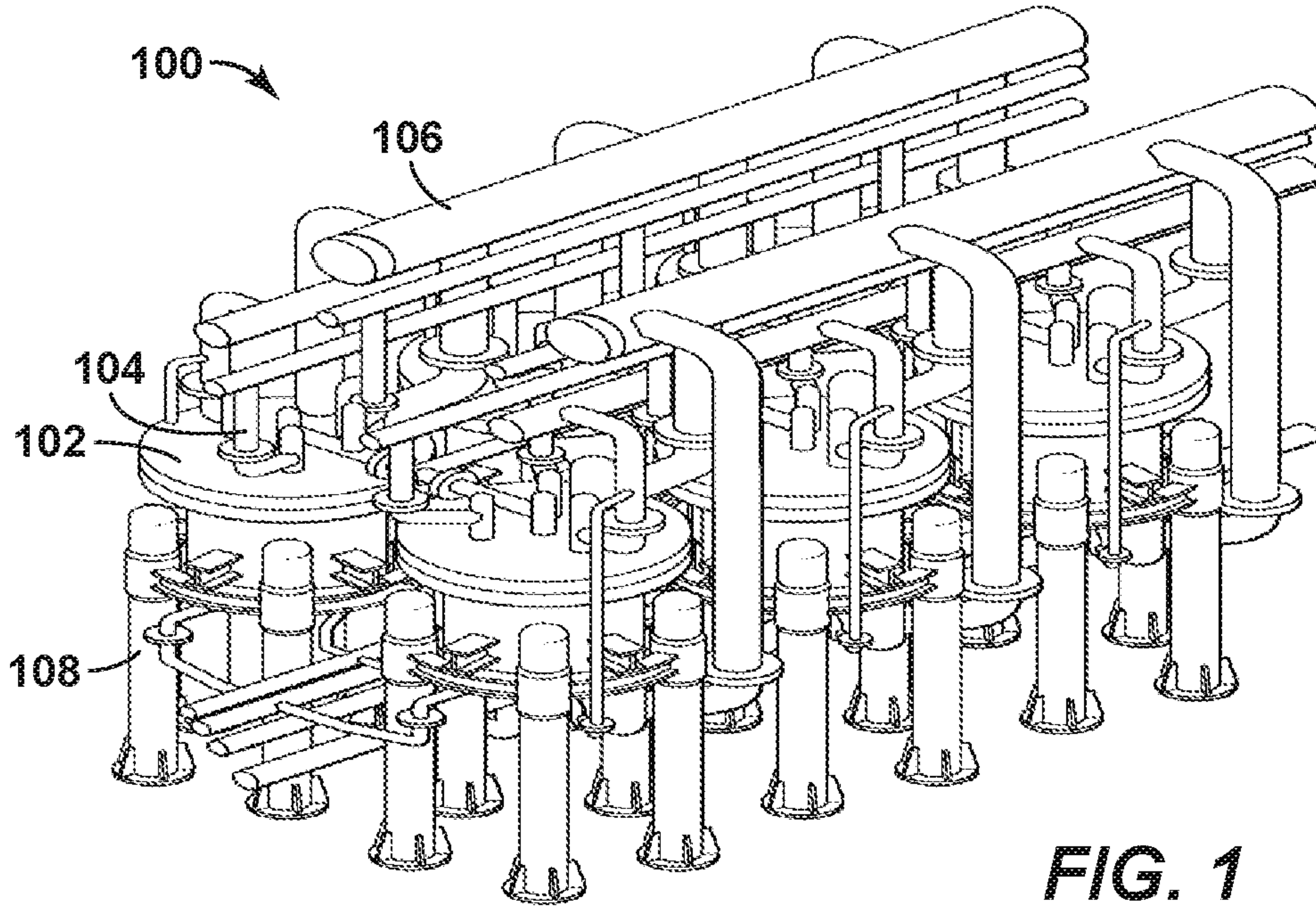
wherein the gaseous feed stream and the purge stream are passed through the one or more external passages and one or more of the steps a) to e) are performed while a fluid is passed through the one or more internal channels to manage the temperature adsorbent coating during the respective step.

5

24. The method of claim 23, wherein the one or more internal channels and the one or more external channels are configured to have a ratio of total internal channels area to total external channels area in the range between 0.5 and 3.0.

10

25. The method of claim 23, herein the one or more internal channels and the one or more external channels are configured to have a ratio of total internal channels area to total external channels area in the range between 0.8 and 1.2.



2/14

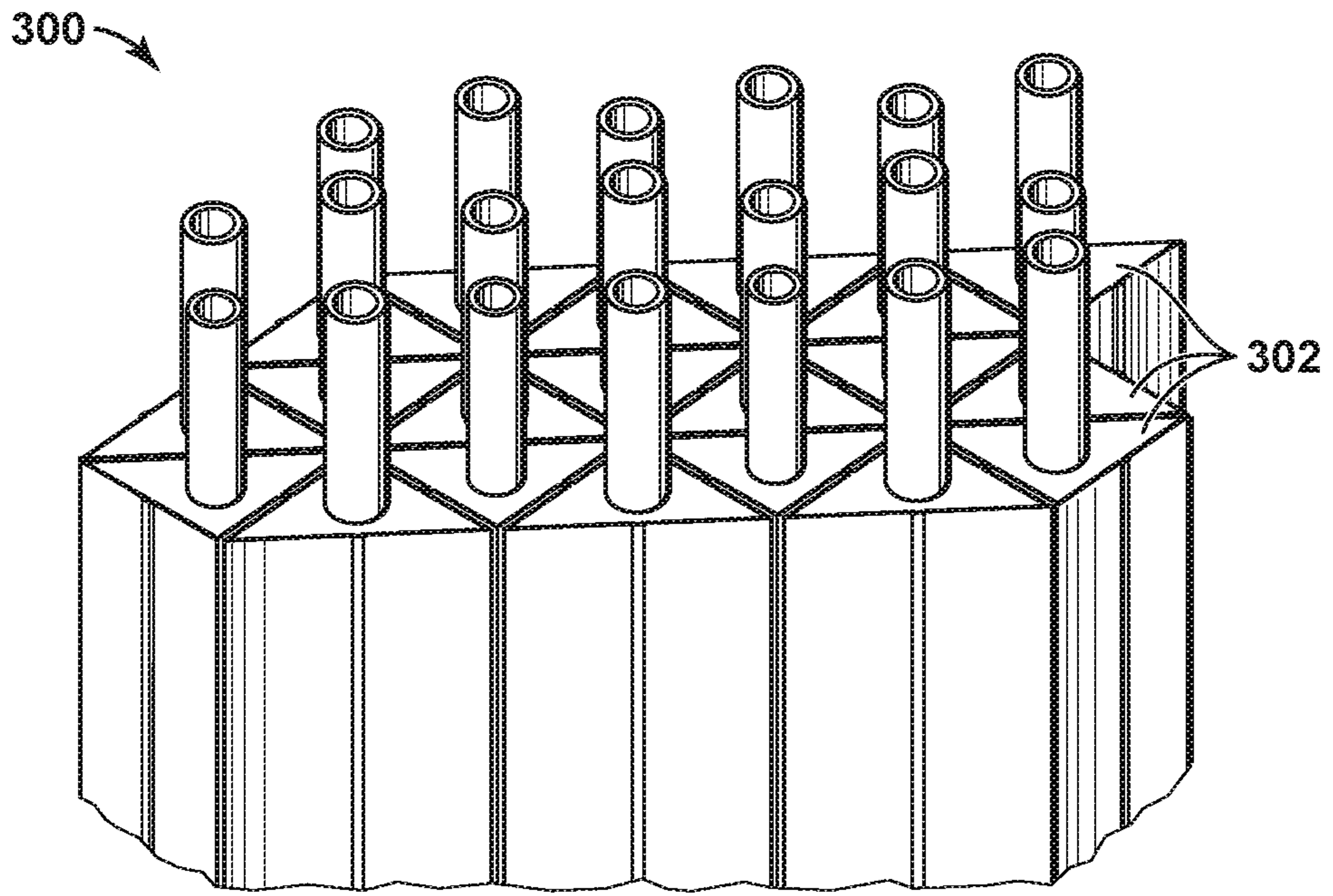


FIG. 3A

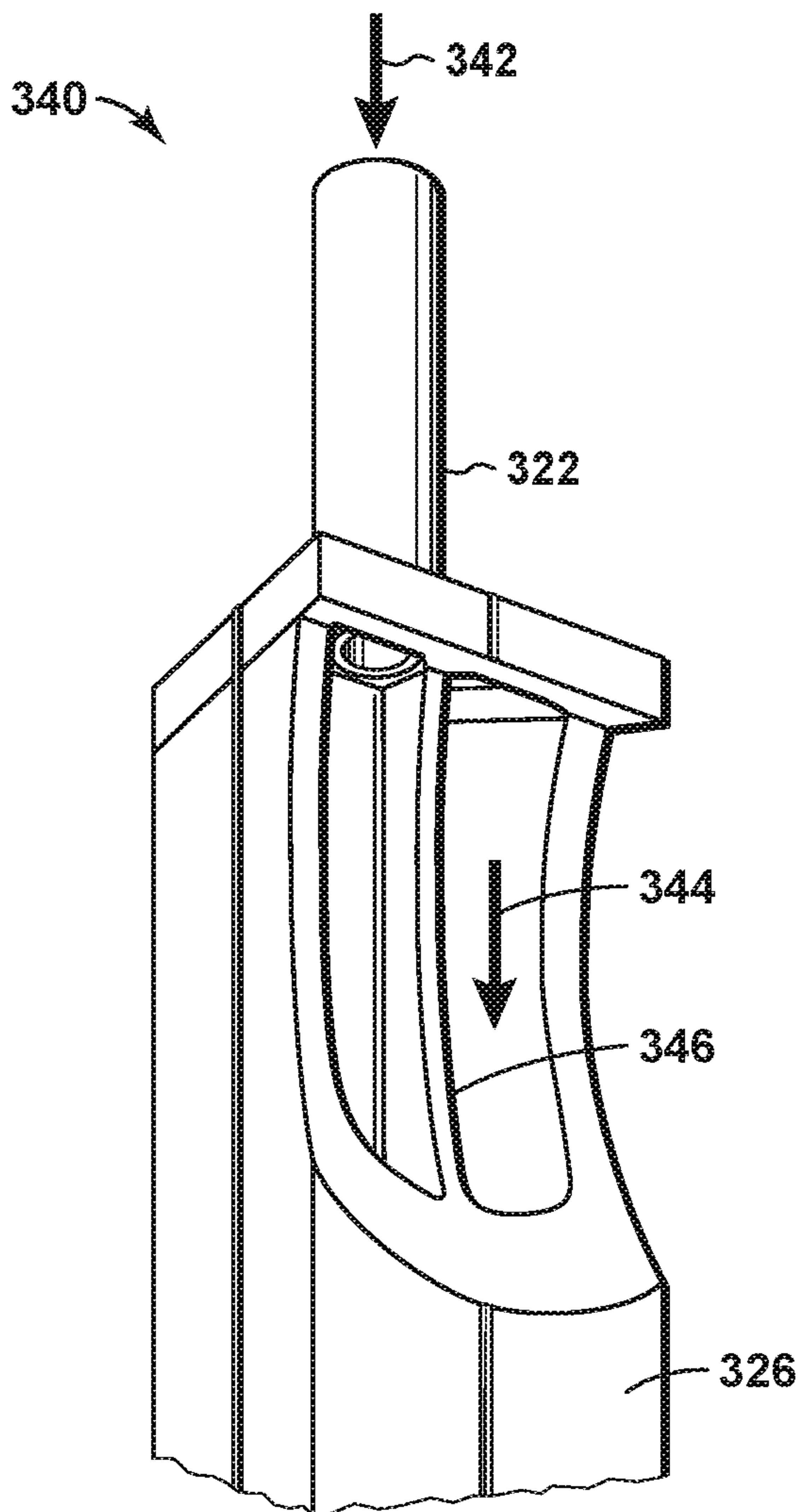


FIG. 3C

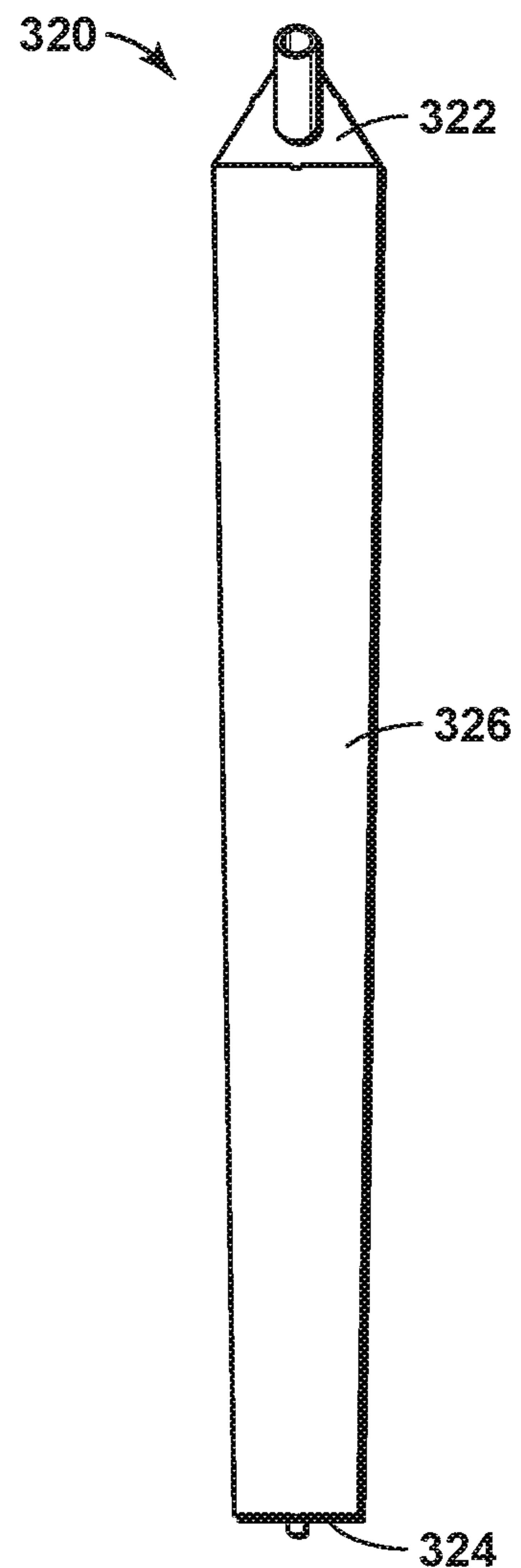


FIG. 3B

3/14

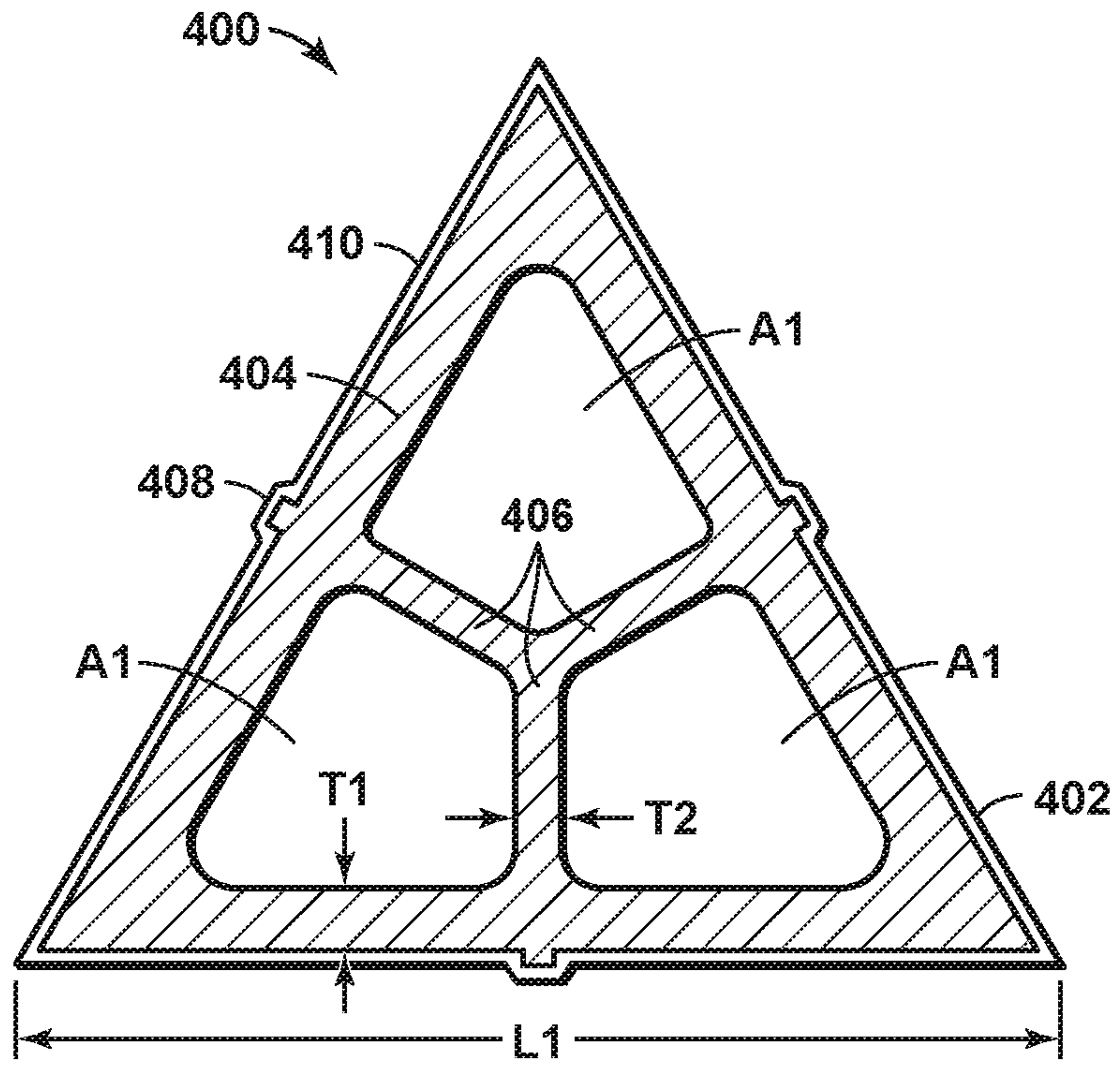


FIG. 4A

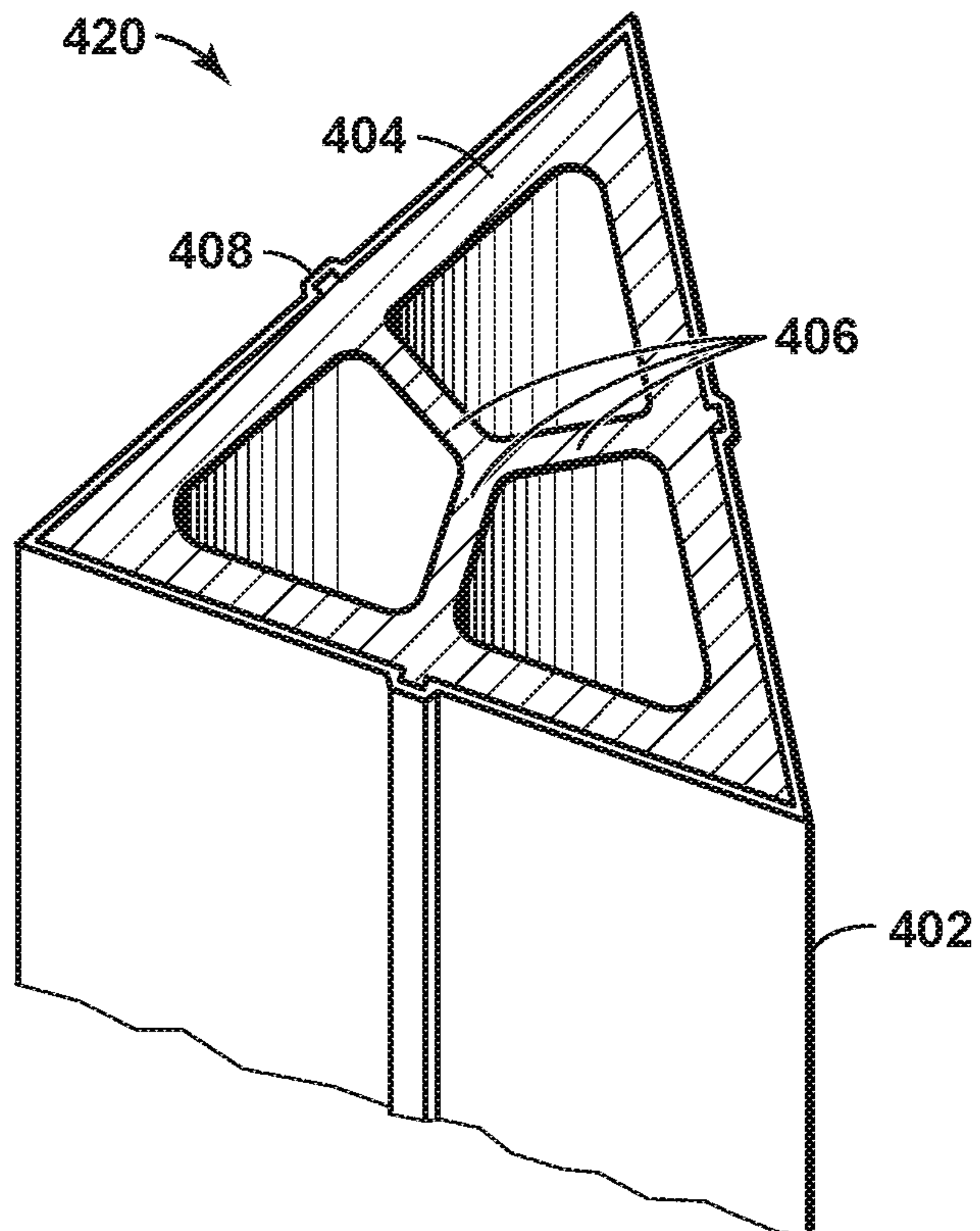


FIG. 4B

4/14

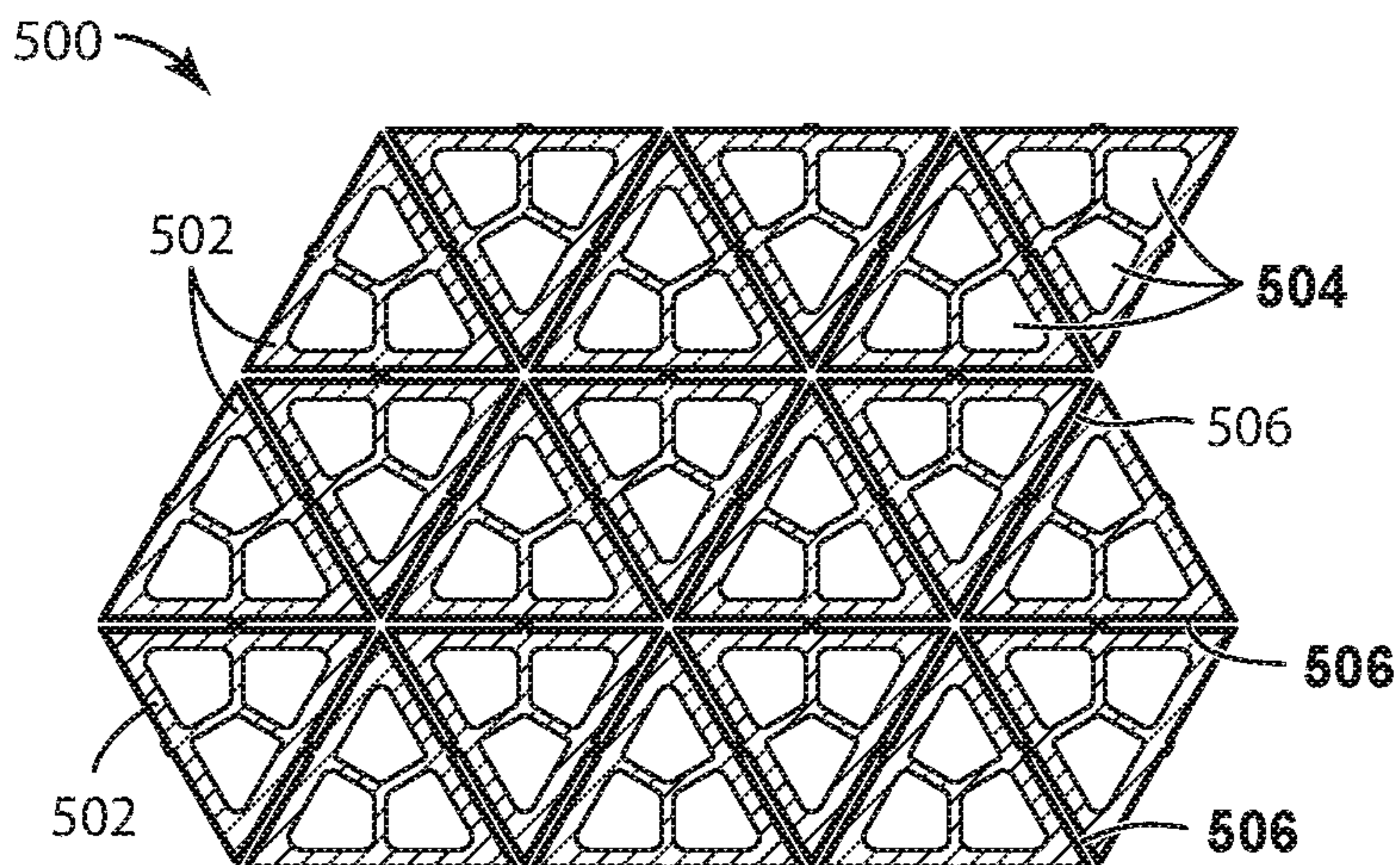


FIG. 5A

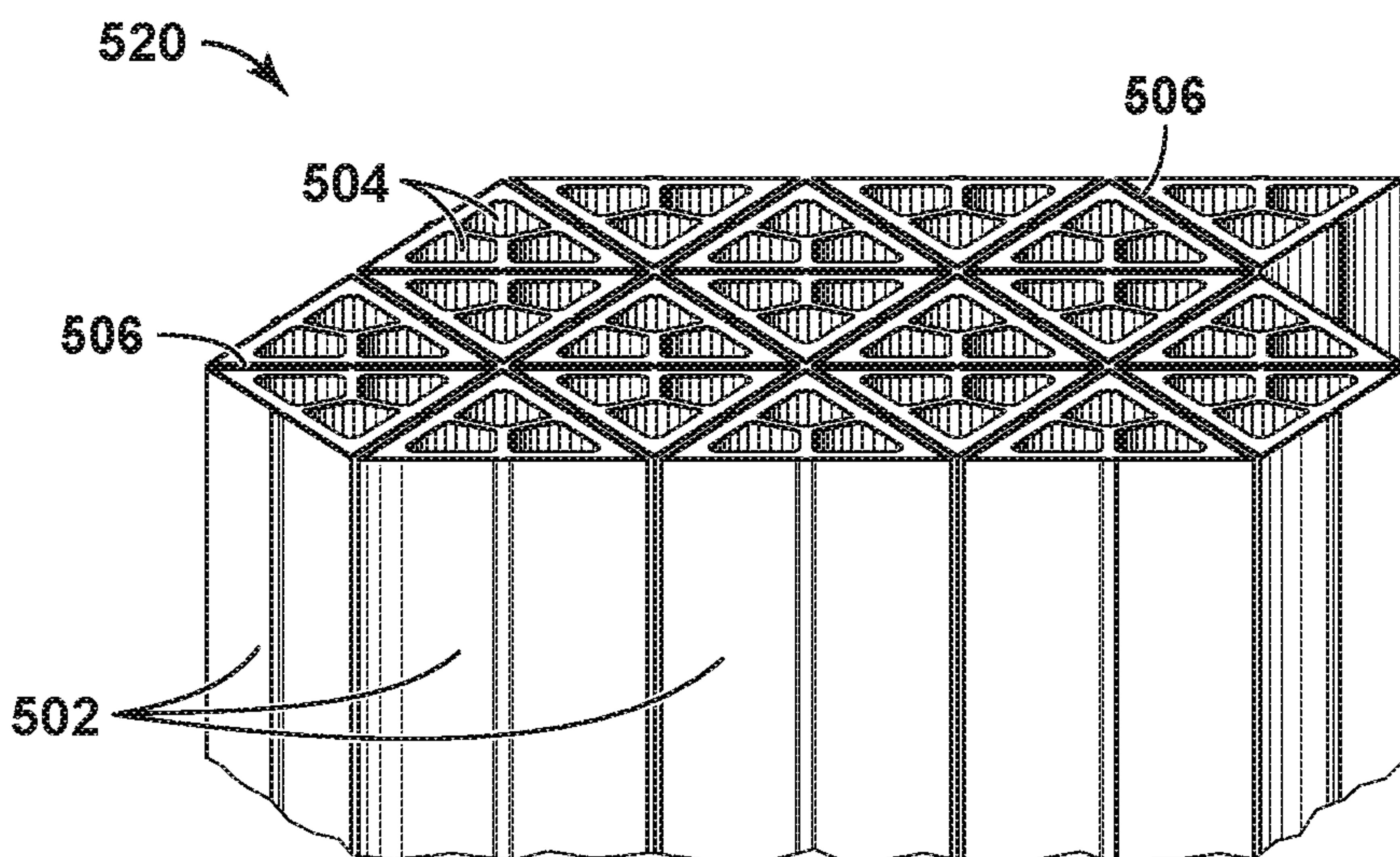


FIG. 5B

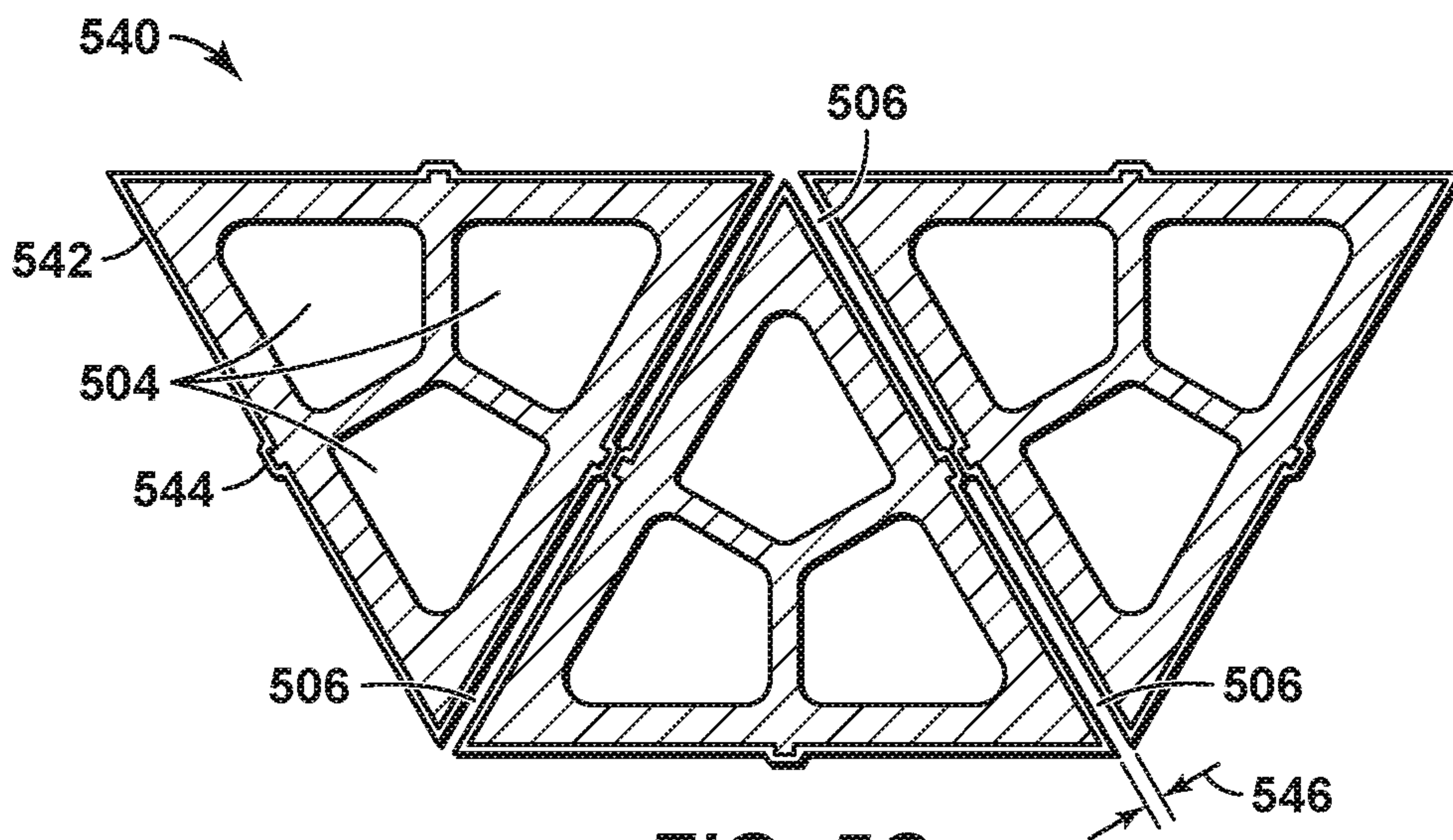


FIG. 5C

5/14

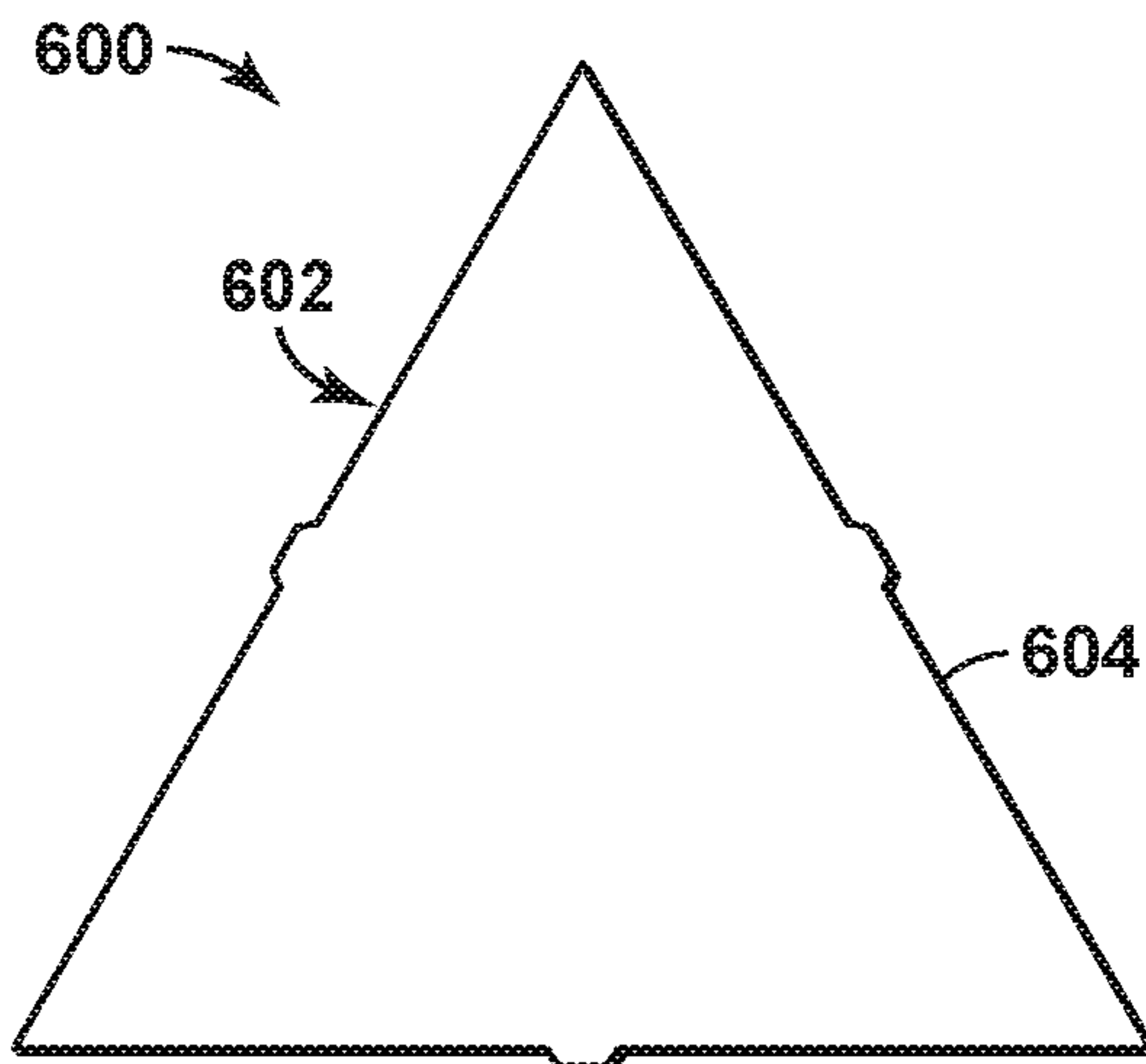


FIG. 6A

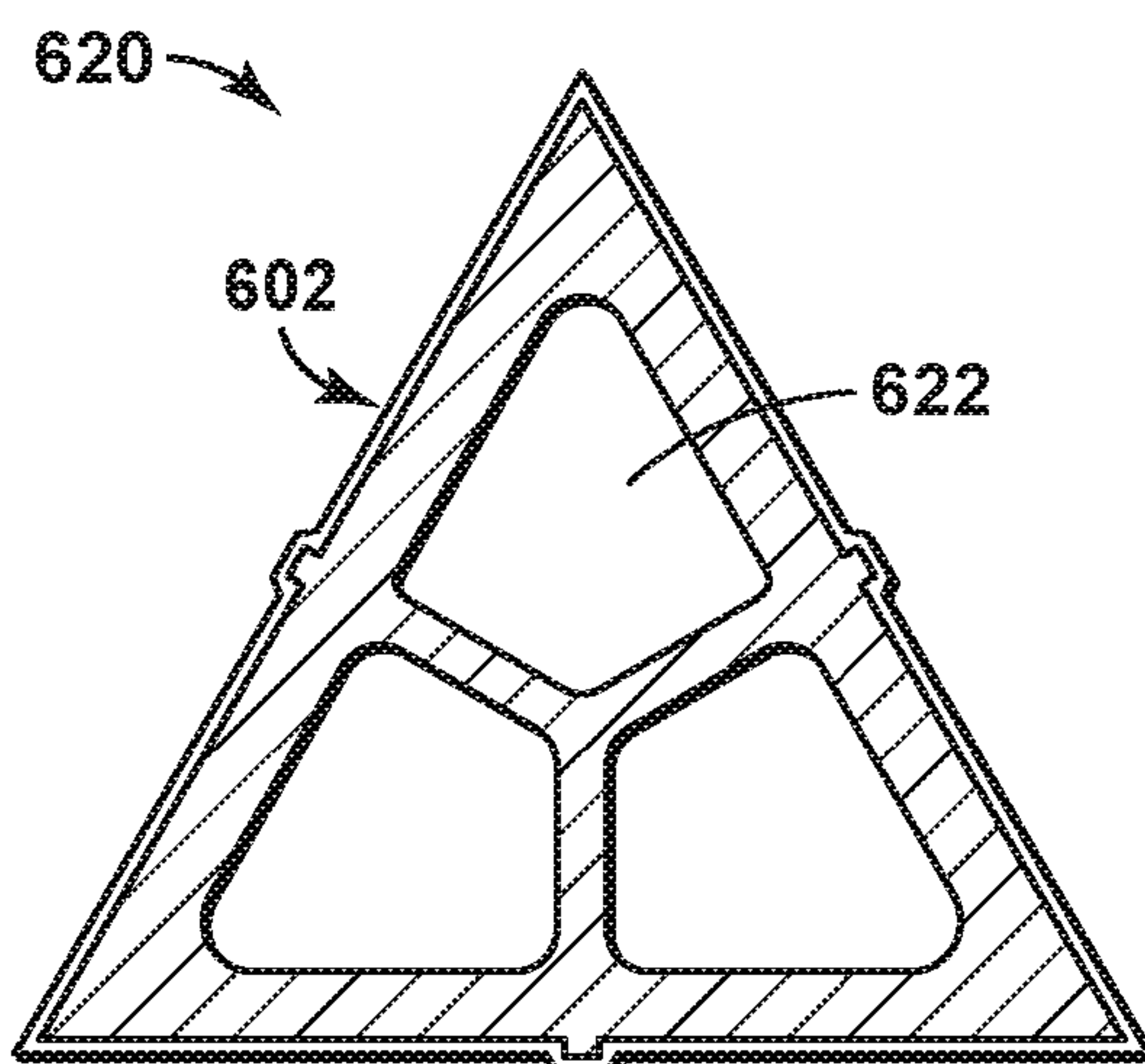


FIG. 6B

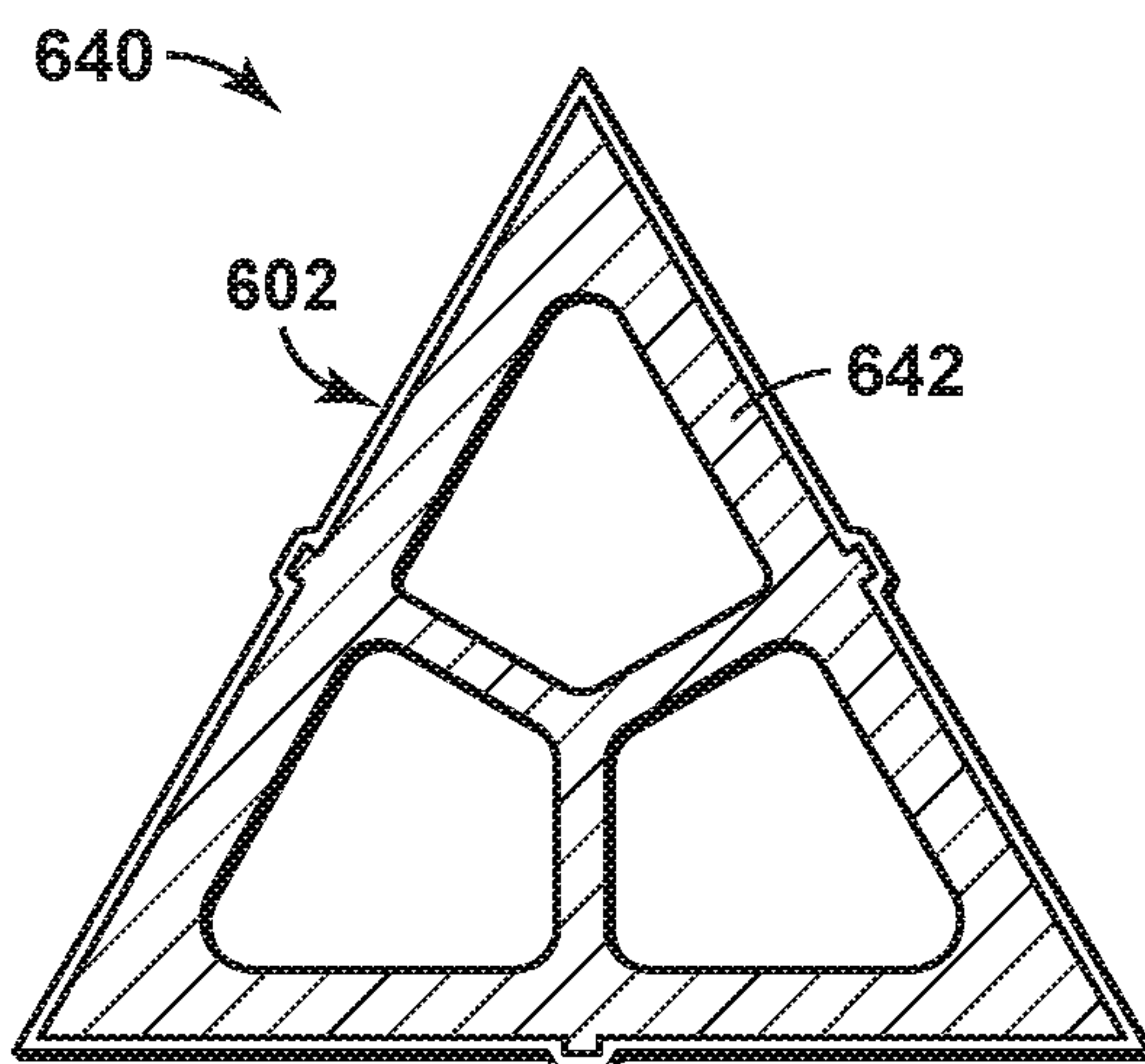


FIG. 6C

6/14

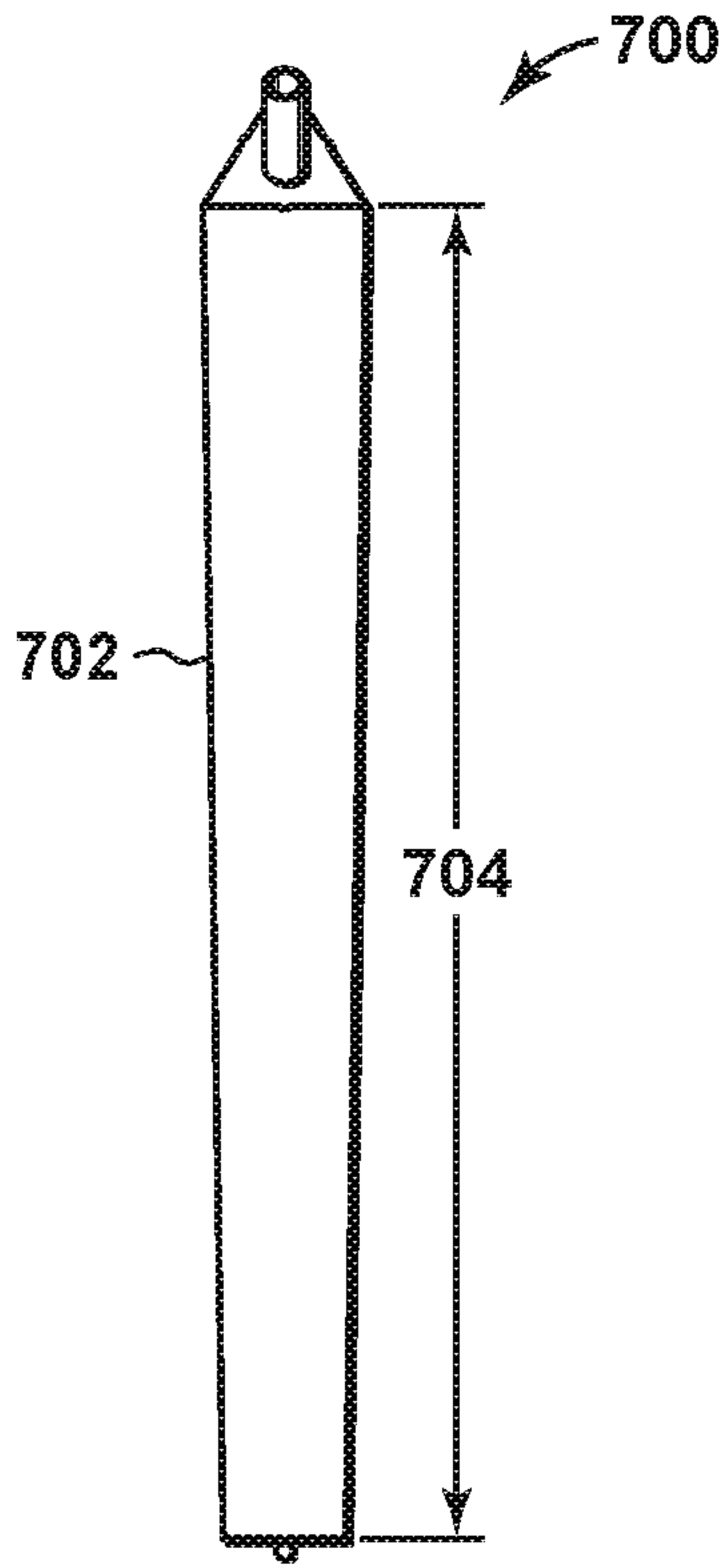


FIG. 7A

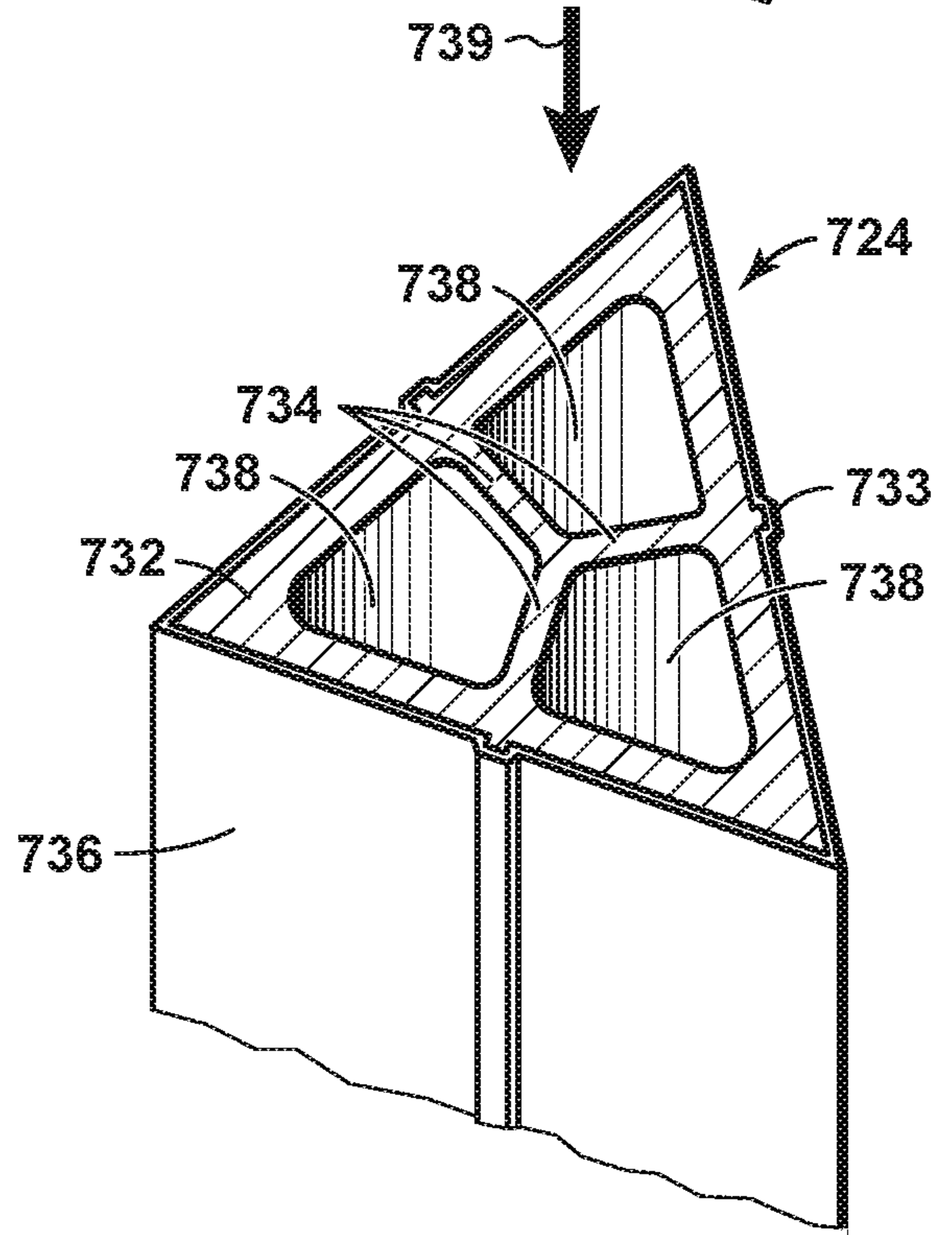
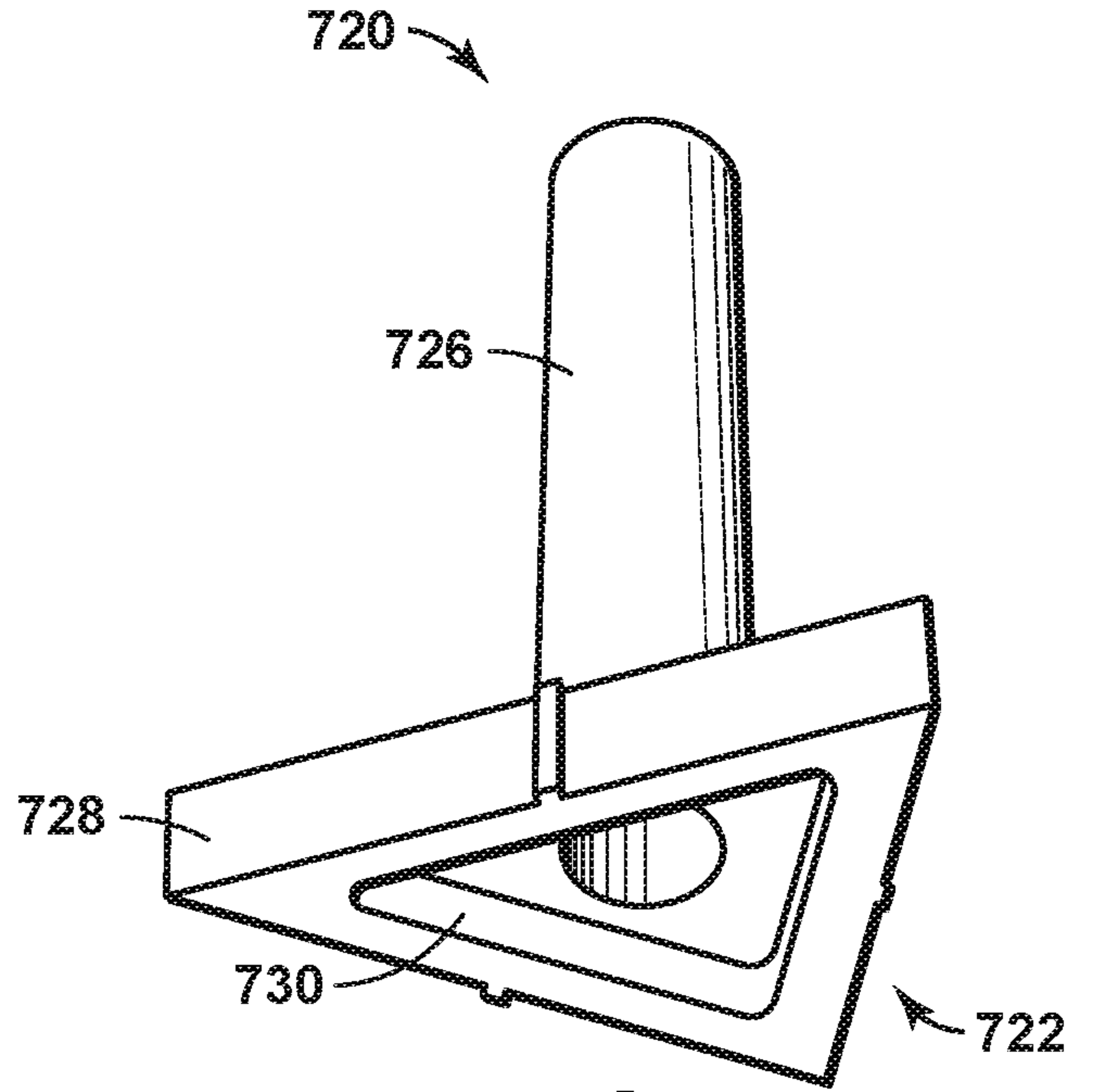


FIG. 7B

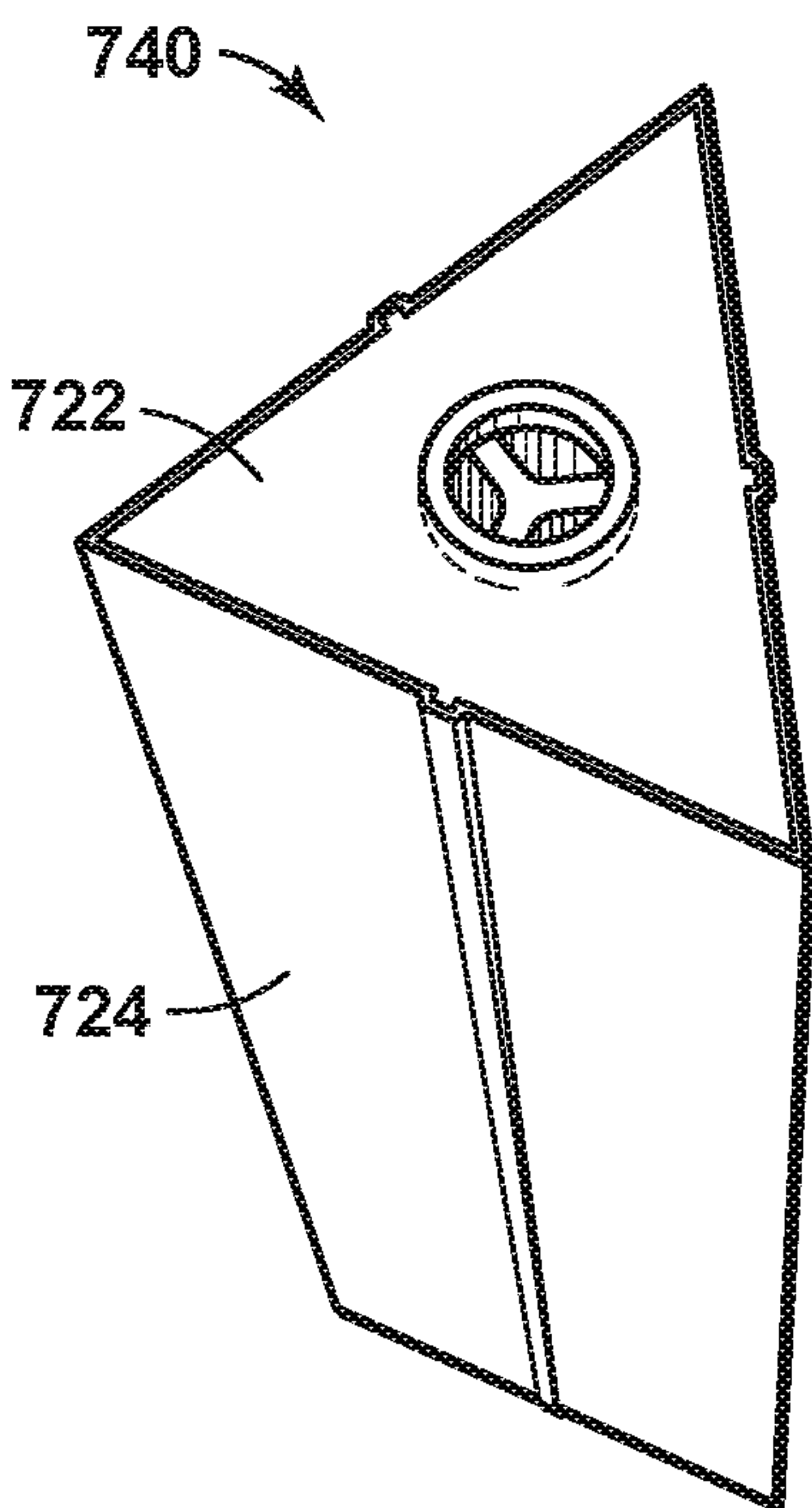


FIG. 7C

7/14

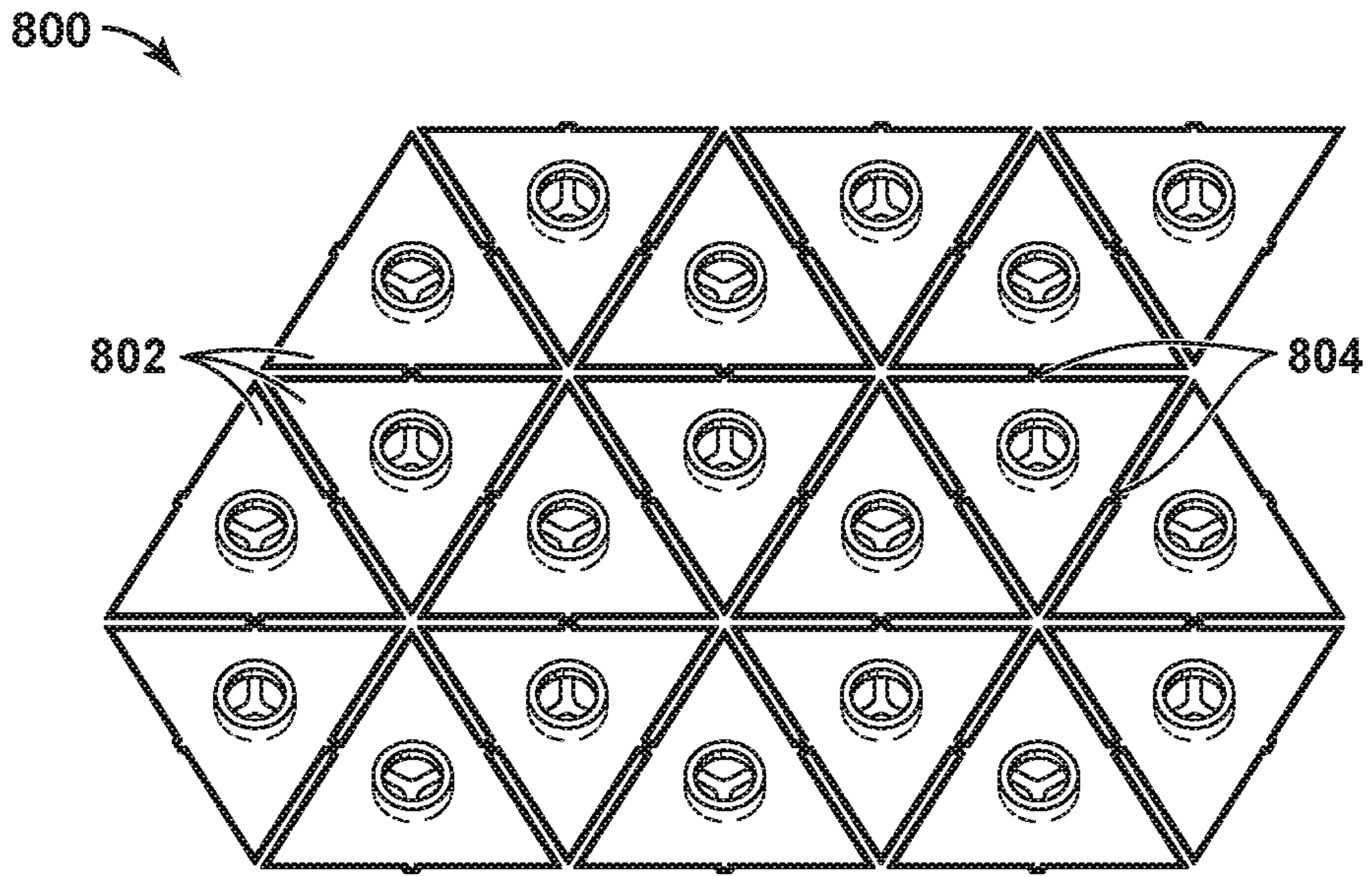


FIG. 8A

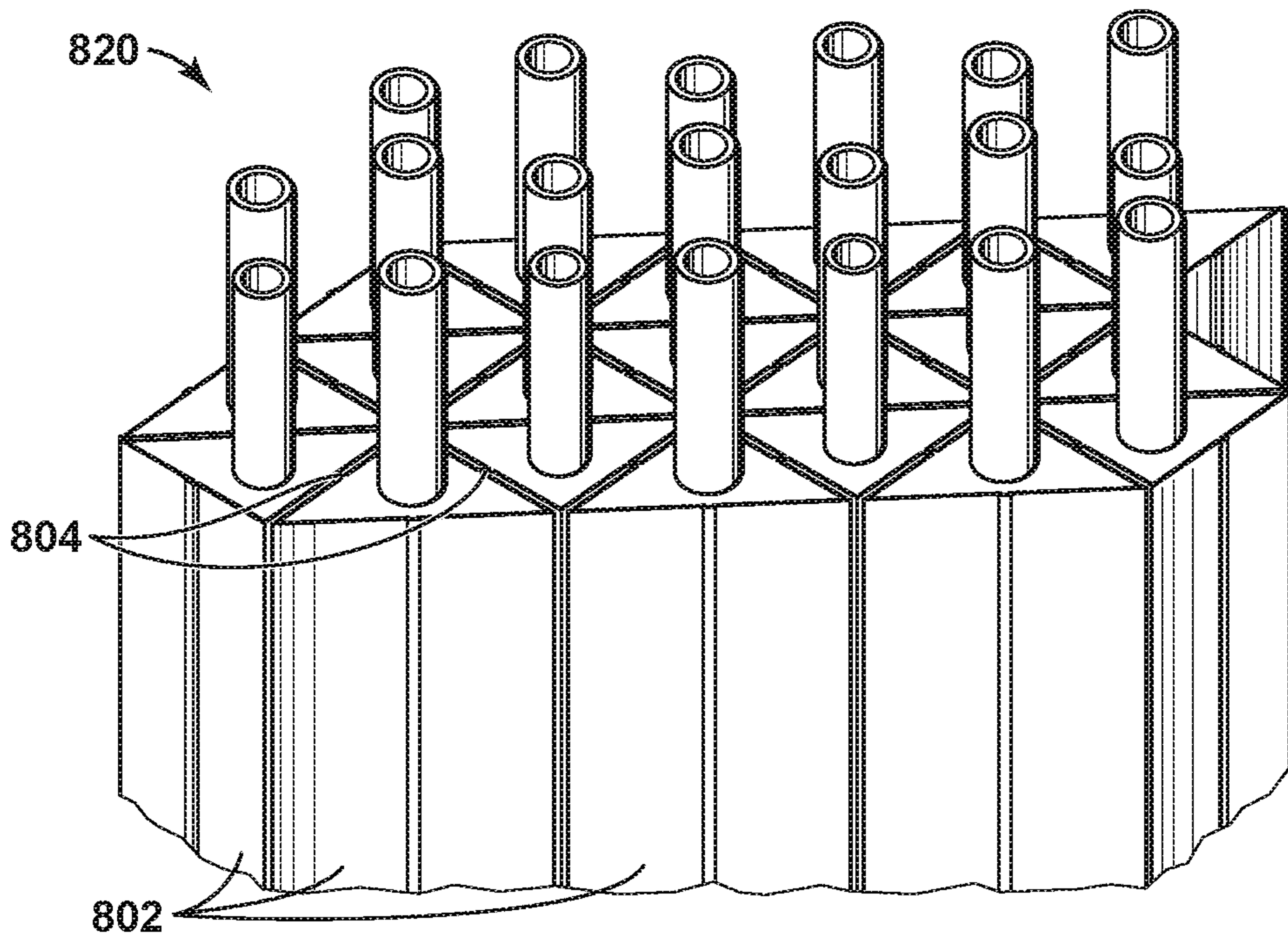


FIG. 8B

8/14

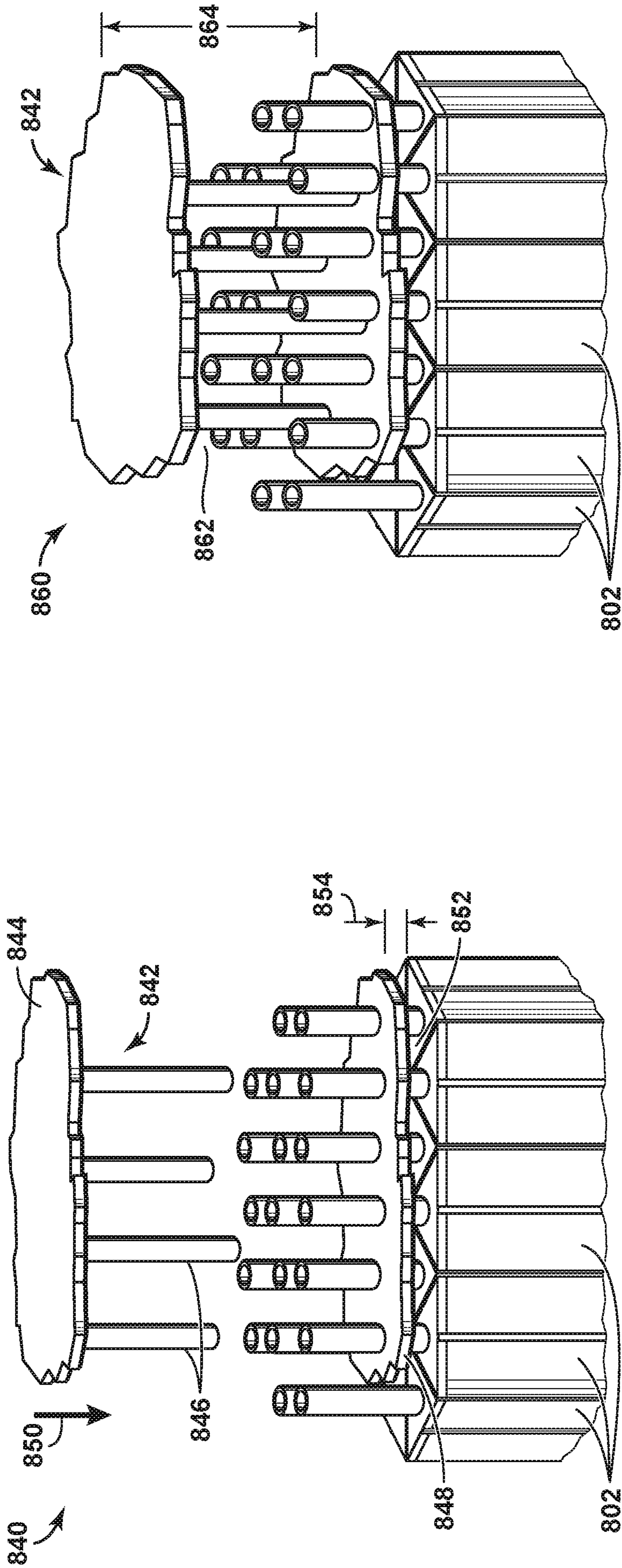


FIG. 8D

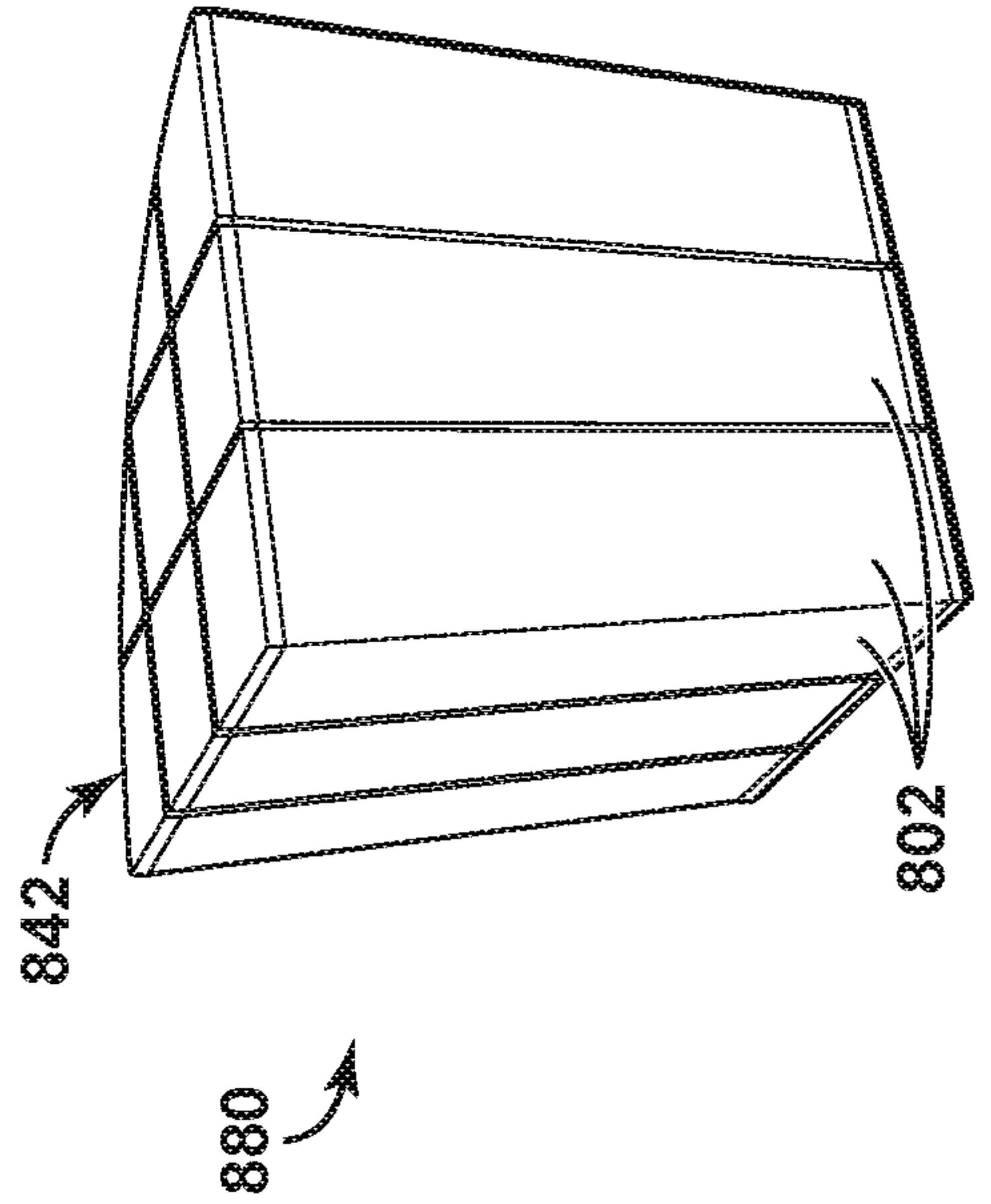


FIG. 8E

FIG. 8C

9/14

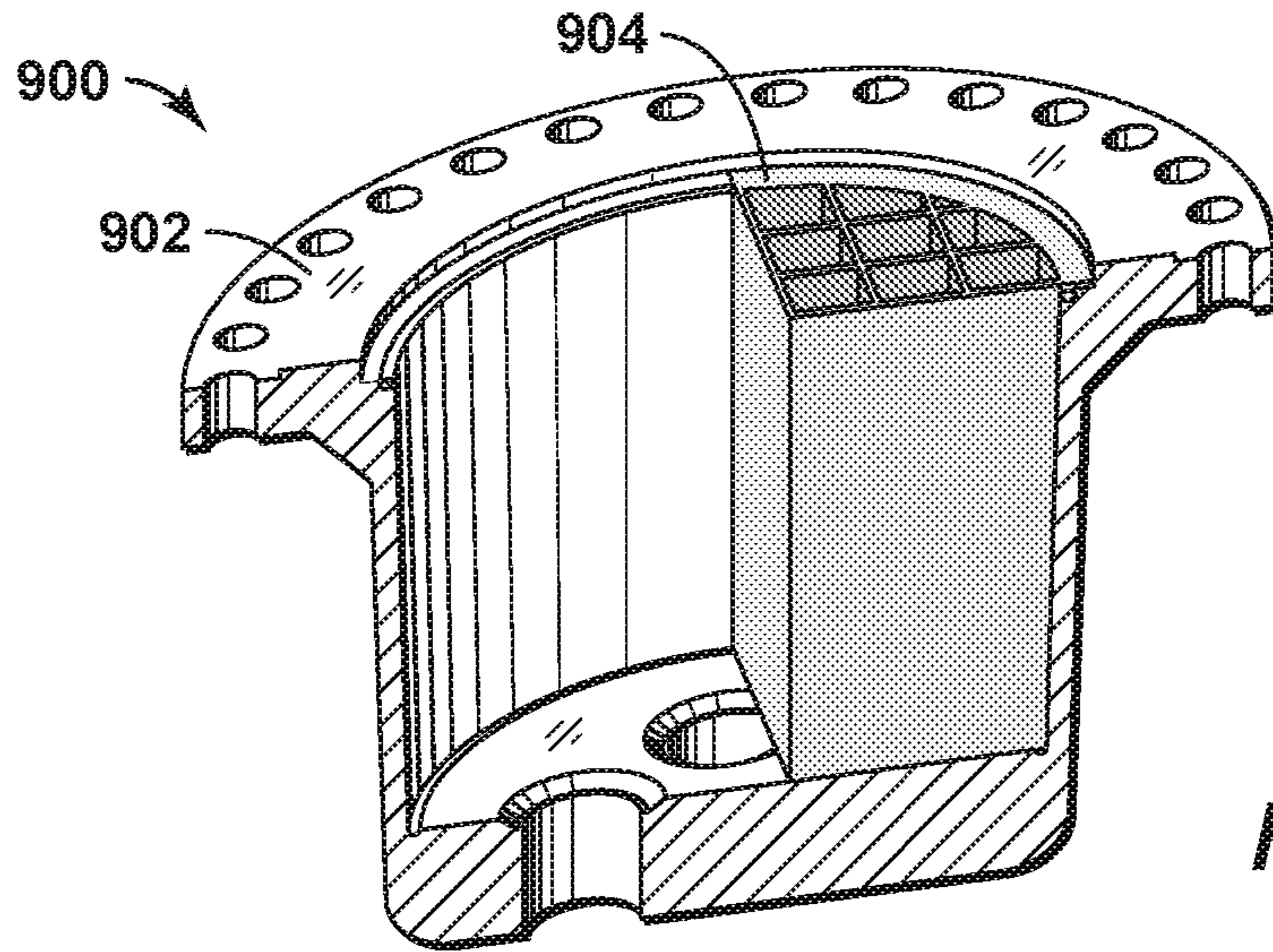


FIG. 9A

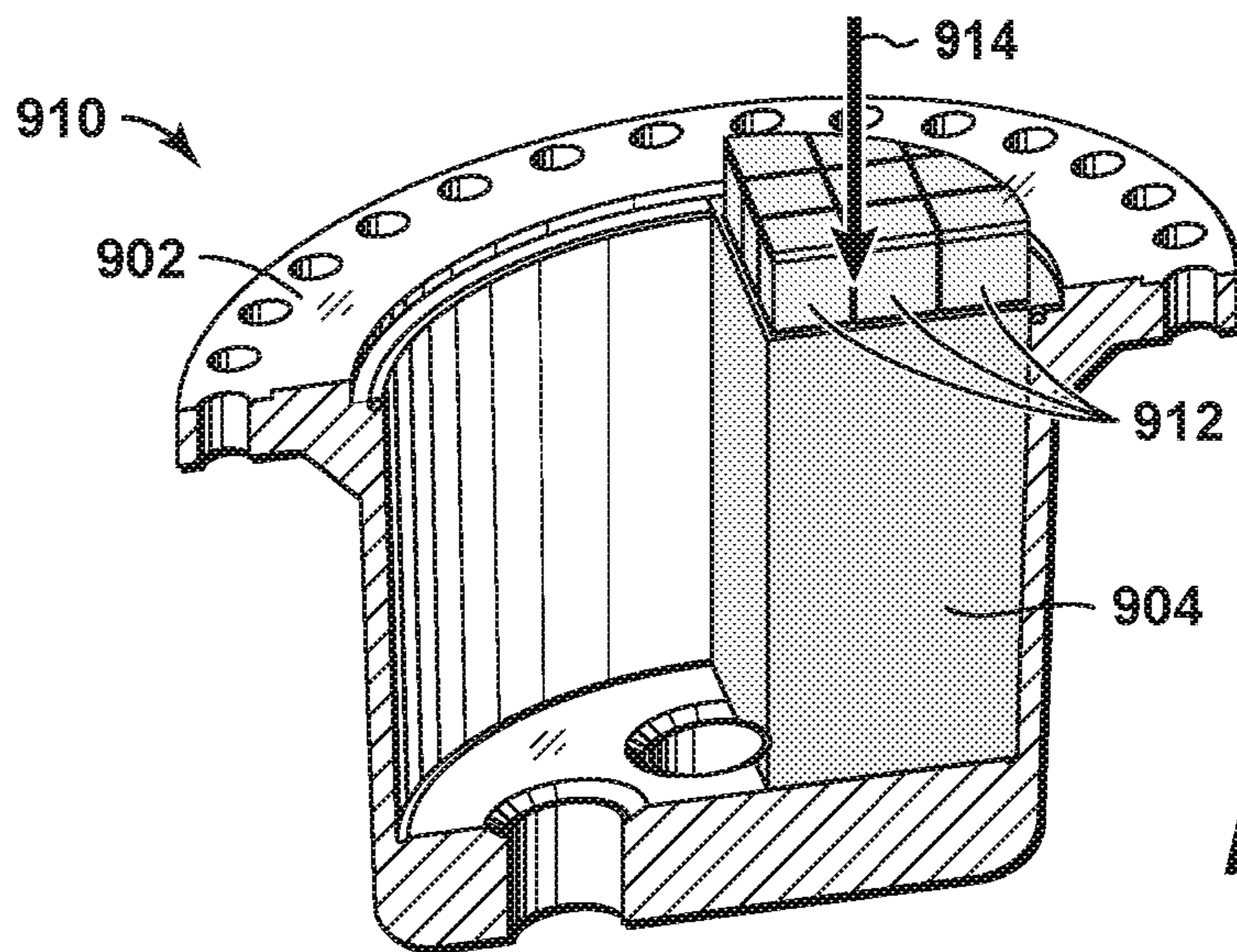


FIG. 9B

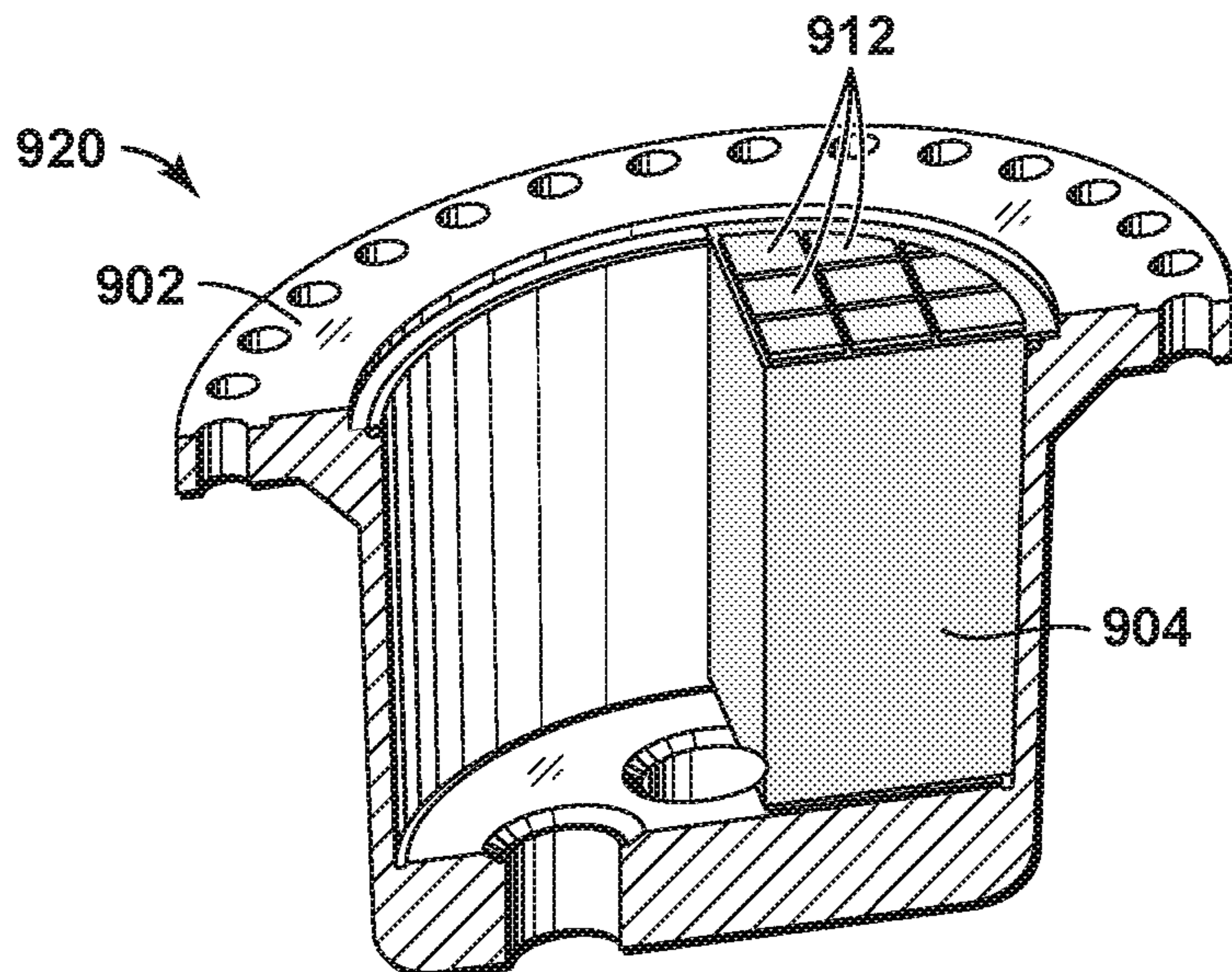


FIG. 9C

10/14

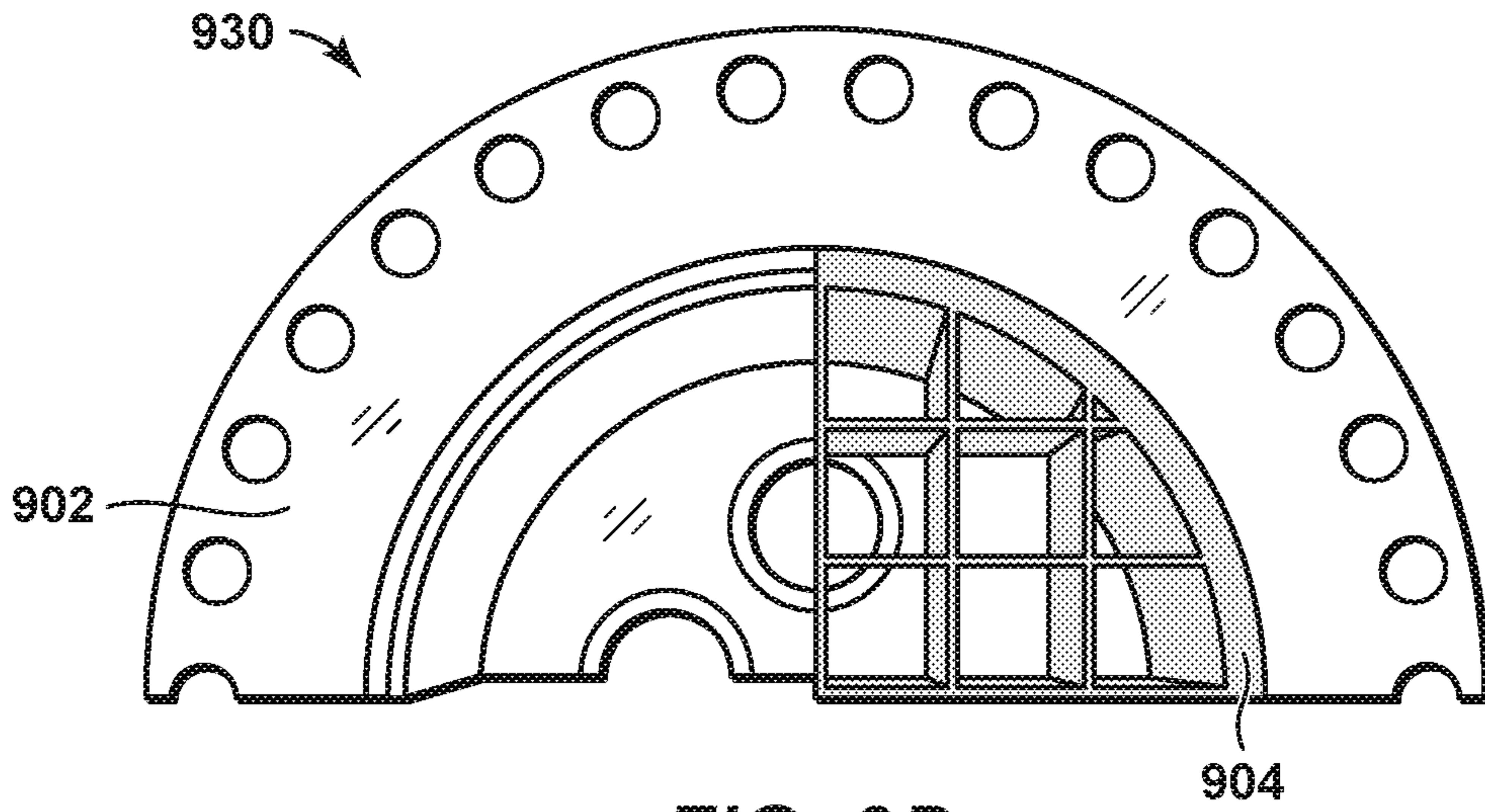


FIG. 9D

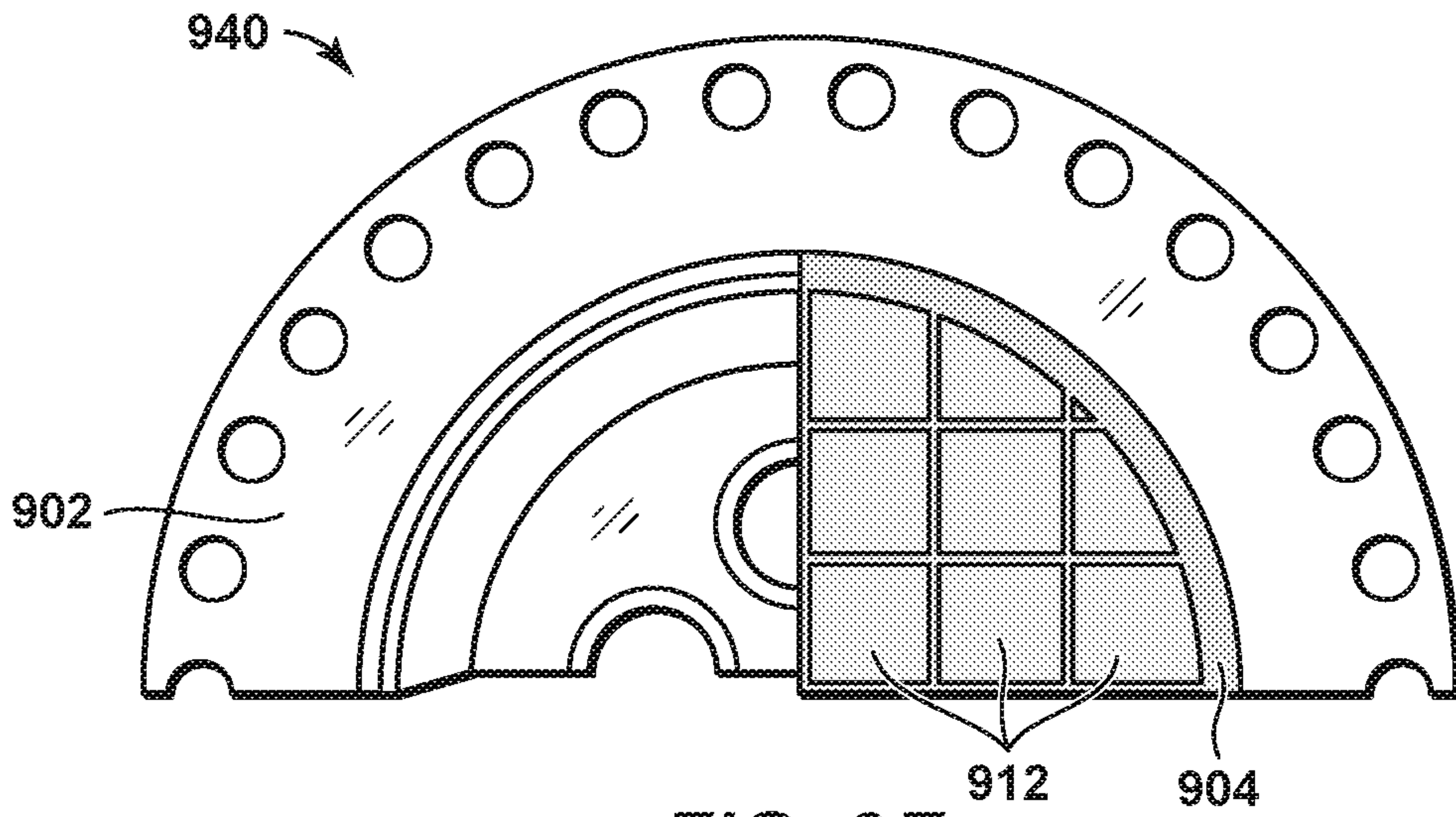


FIG. 9E

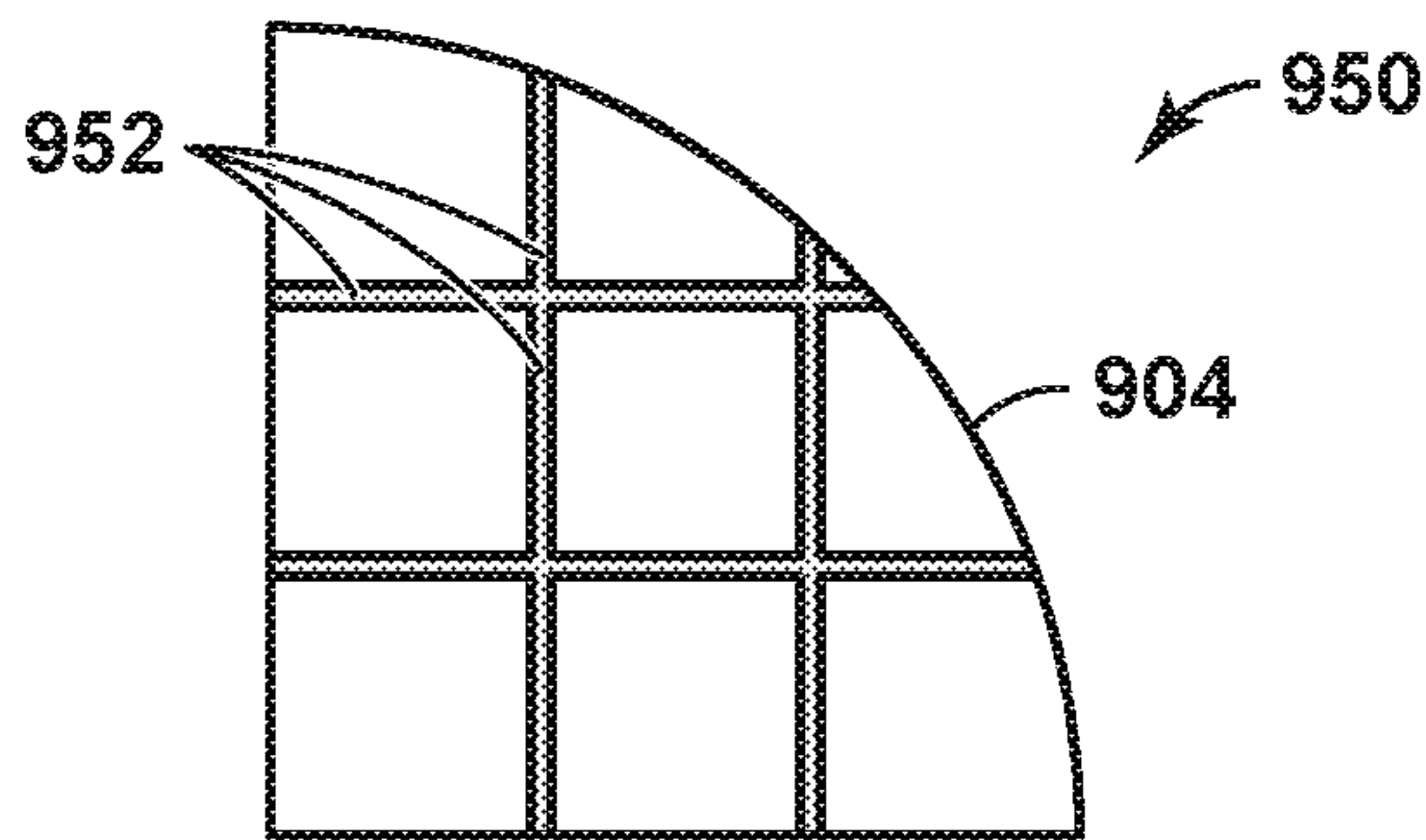


FIG. 9F

11/14

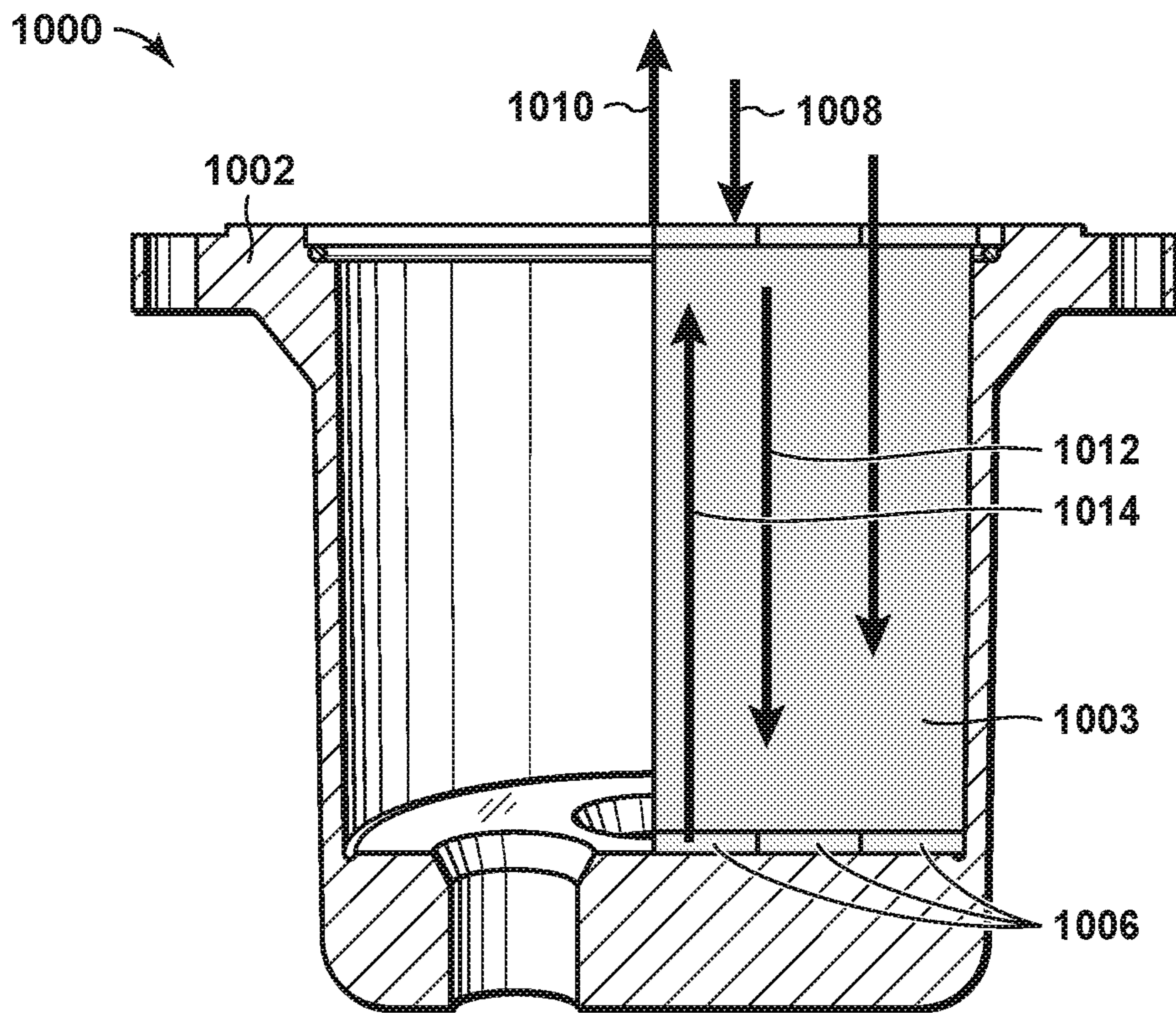


FIG. 10A

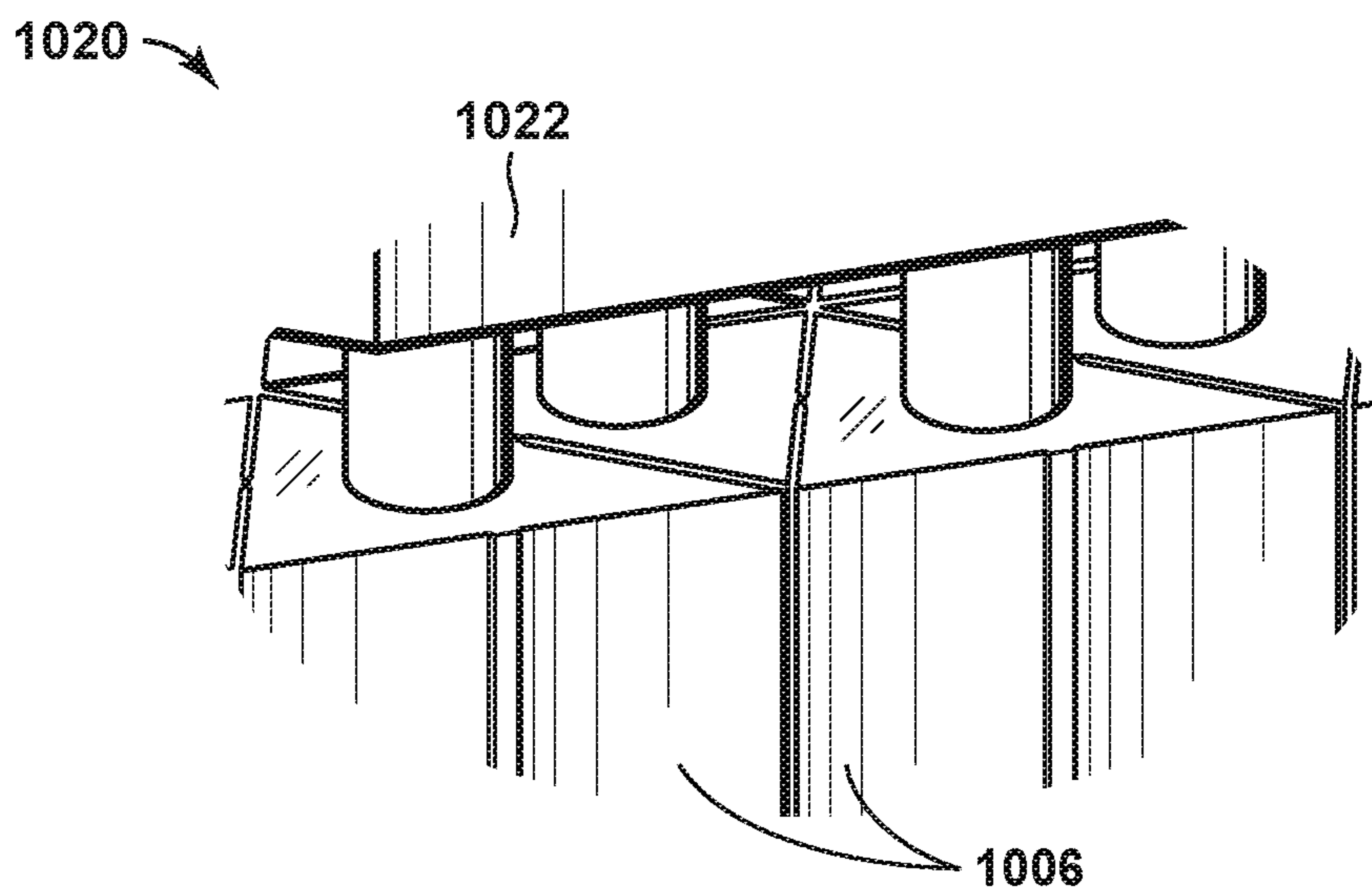


FIG. 10B

12/14

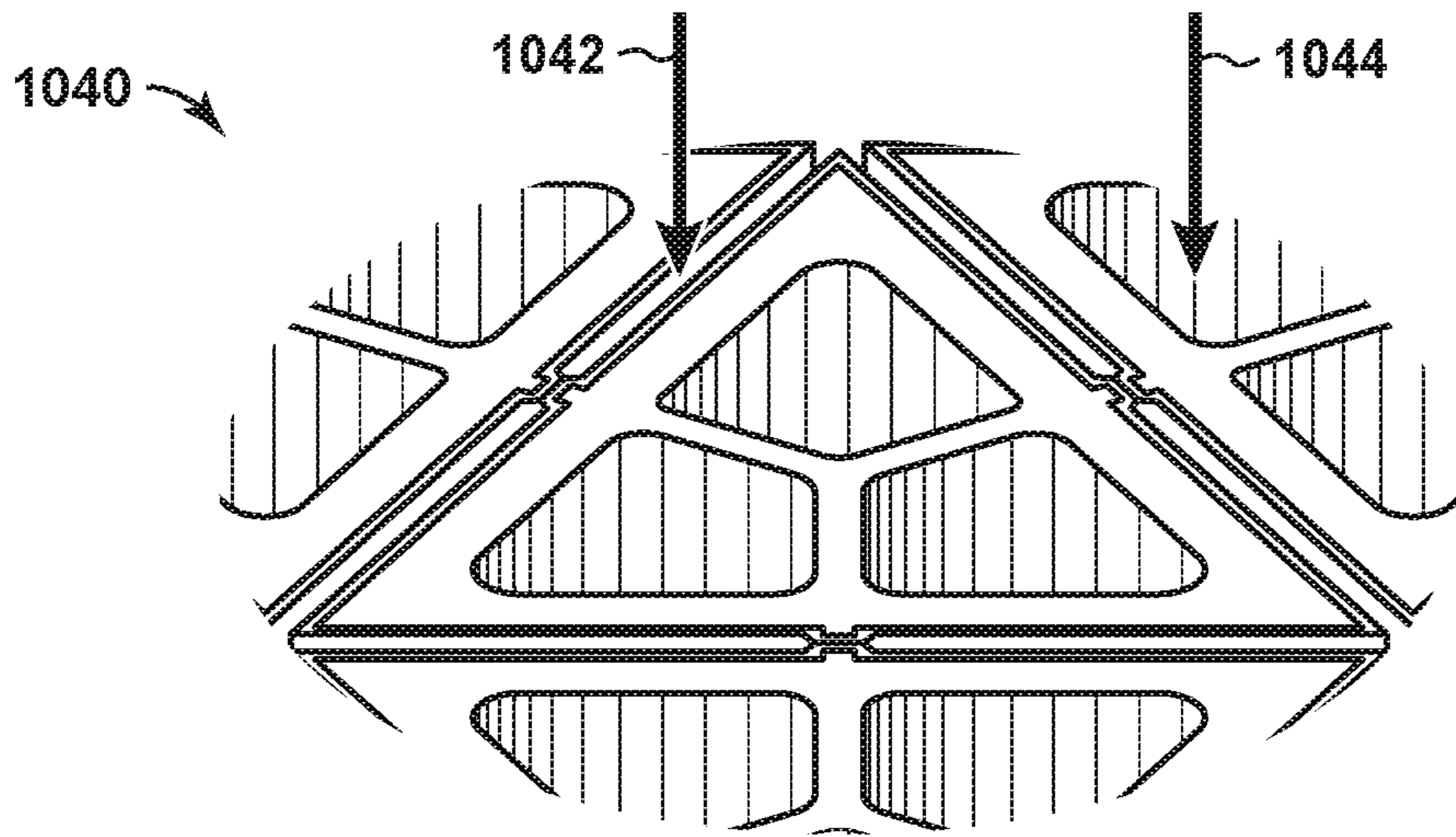


FIG. 10C

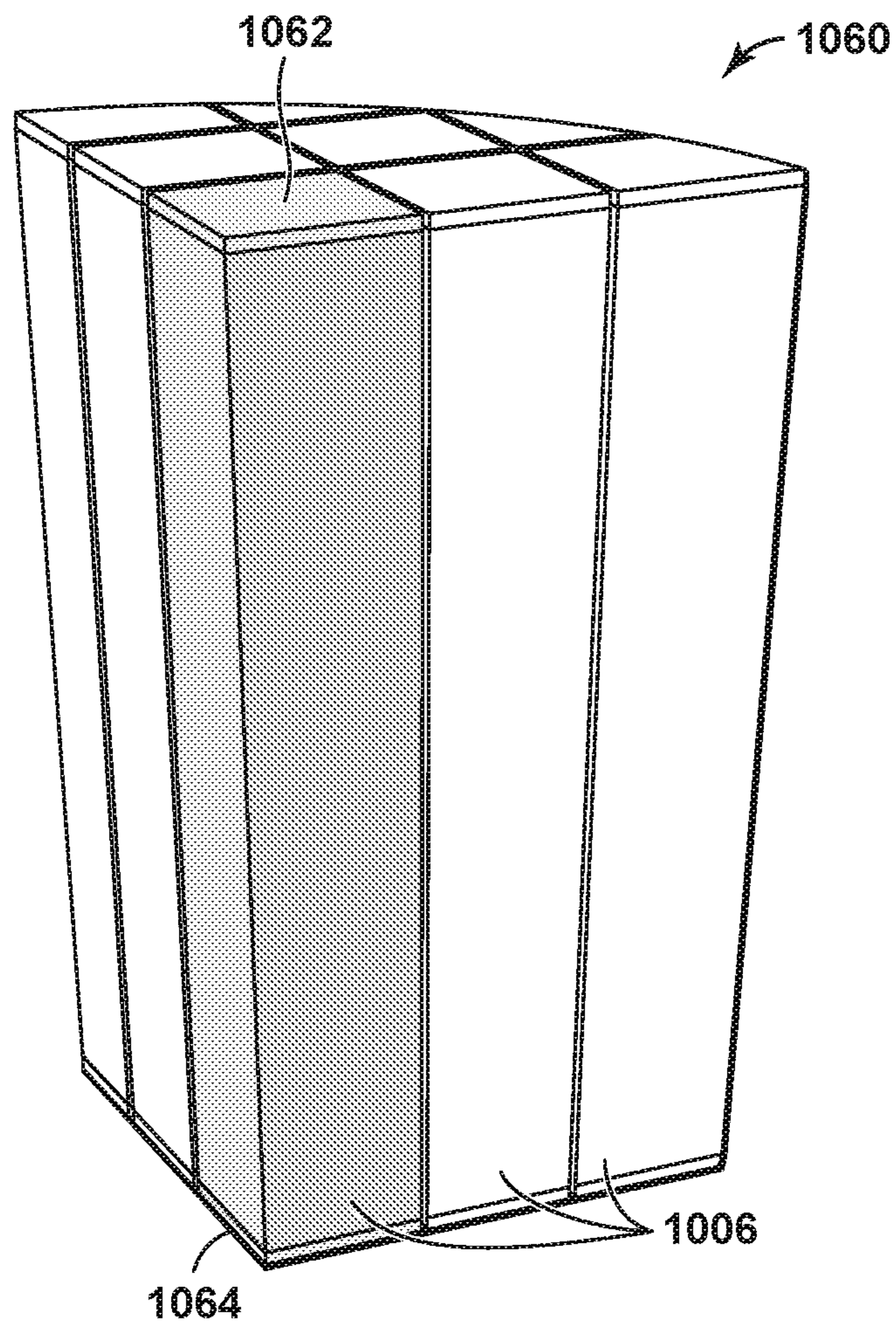


FIG. 10D

13/14

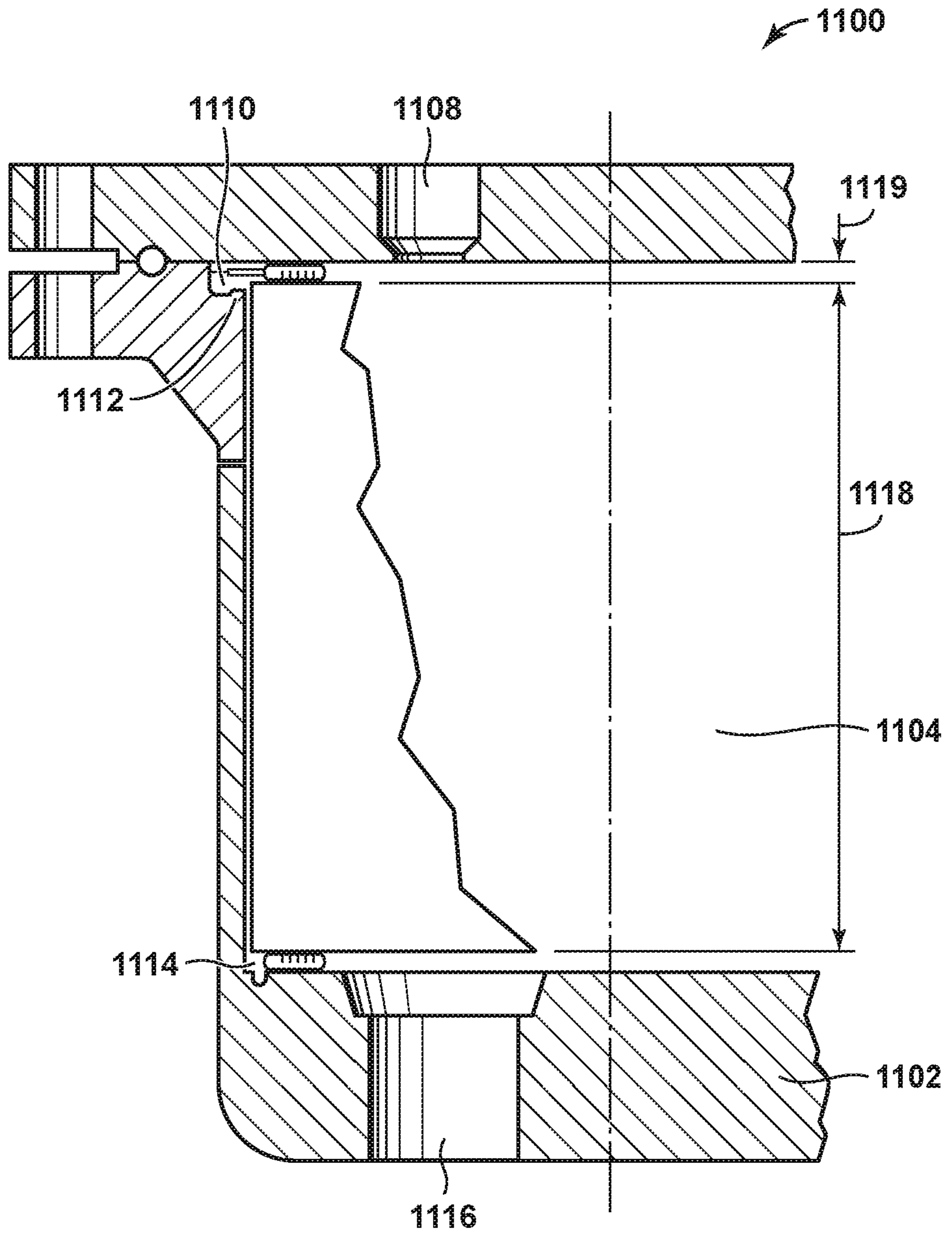


FIG. 11A

14/14

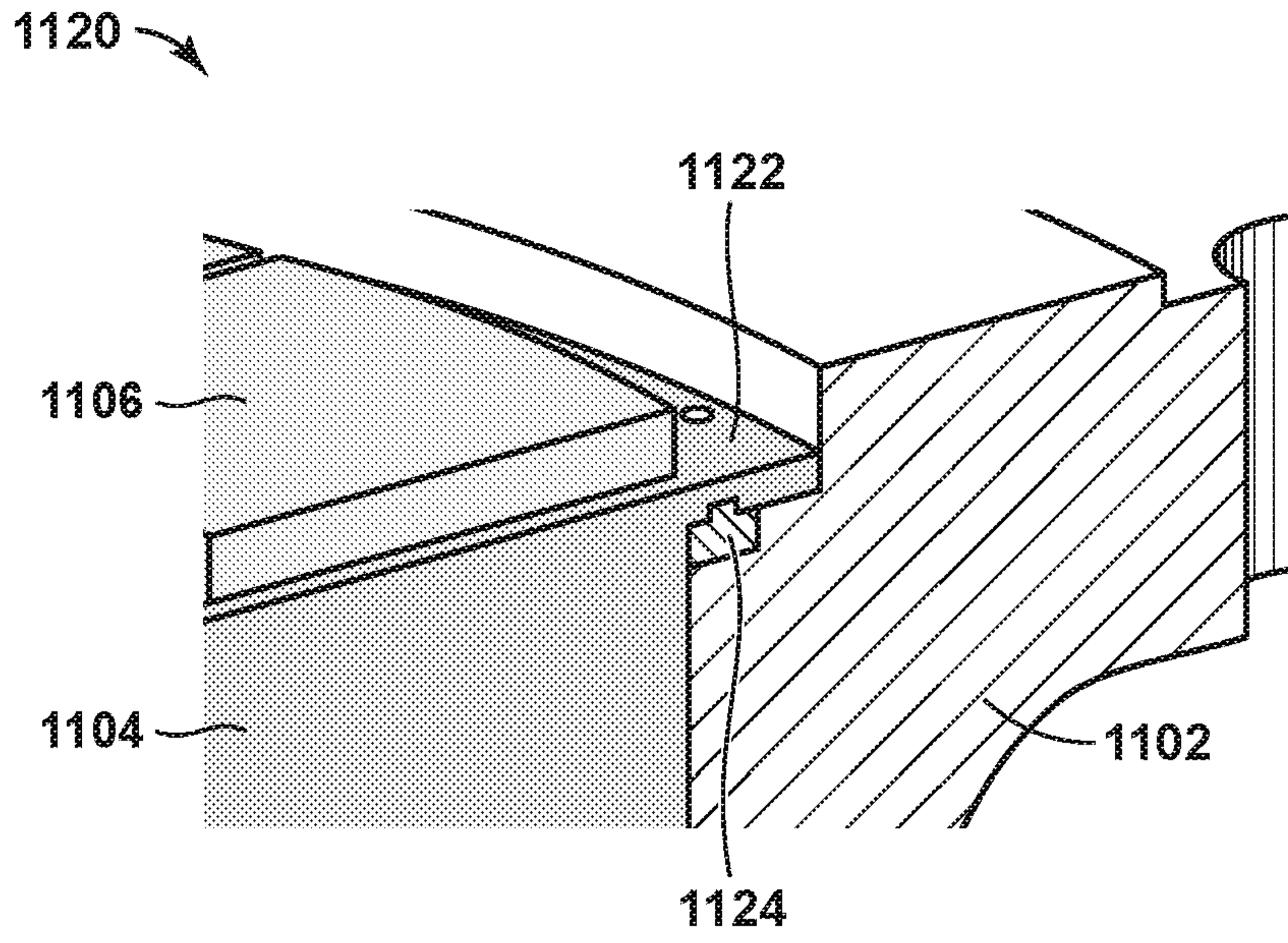


FIG. 11B

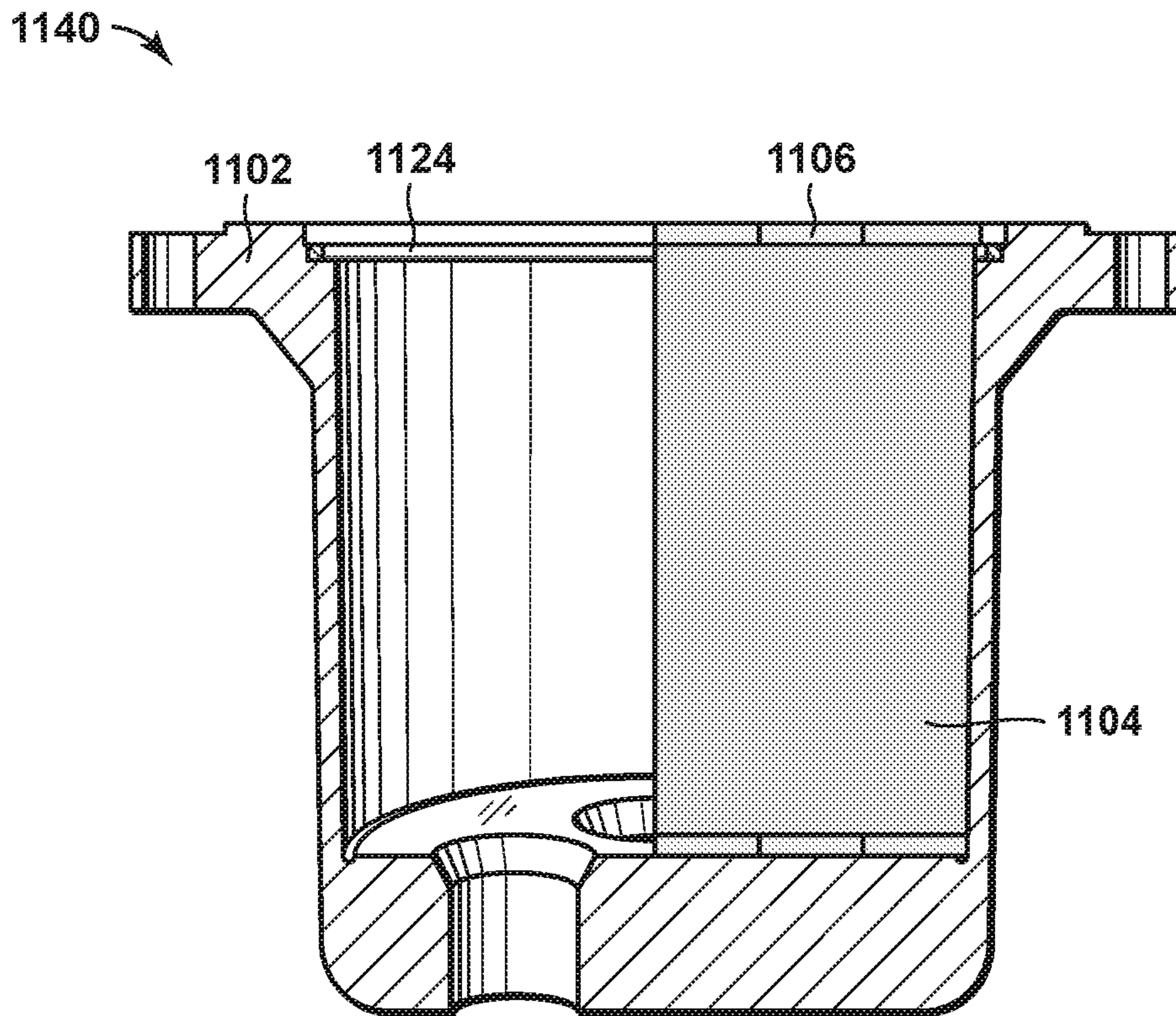


FIG. 11C

