



US00D577131S

(12) **United States Design Patent**
Cole

(10) **Patent No.:** **US D577,131 S**

(45) **Date of Patent:** **** Sep. 16, 2008**

(54) **WINDOW COMPONENT EXTRUSION**

4,578,905 A * 4/1986 Hout 49/504

D353,472 S 12/1994 Schrader

D385,364 S 10/1997 Lockbeam

D508,740 S * 8/2005 Cole D25/119

(75) Inventor: **Douglas L. Cole**, Seattle, WA (US)

(73) Assignee: **Mikron Industries, Inc.**, Kent, WA (US)

(**) Term: **14 Years**

OTHER PUBLICATIONS

Mikron Part No. 0531; first sold Jun. 14, 2001.

* cited by examiner

Primary Examiner—Doris Clark

(74) *Attorney, Agent, or Firm*—Black Lowe & Graham PLLC

(21) Appl. No.: **29/292,681**

(22) Filed: **Oct. 23, 2007**

Related U.S. Application Data

(62) Division of application No. 29/231,539, filed on Jun. 7, 2005, now Pat. No. Des. 558,899.

(57) **CLAIM**

The ornamental design for a window component extrusion, as shown and described.

(51) **LOC (8) Cl.** **25-01**

(52) **U.S. Cl.** **D25/119**

(58) **Field of Classification Search** D25/119,
D25/124, 125; 52/204.1, 204.2, 204.5, 204.51,
52/656.5, 656.6, 213, 215, 204.71, 204.55,
52/204.593, 204.595, 730.3, 208; 49/DIG. 2,
49/504

DESCRIPTION

FIG. 1 is a top right perspective view of the window component extrusion which is broken in the center indicating indefinite length; and,

FIG. 2 is a bottom left perspective view of the window component extrusion shown in FIG. 1.

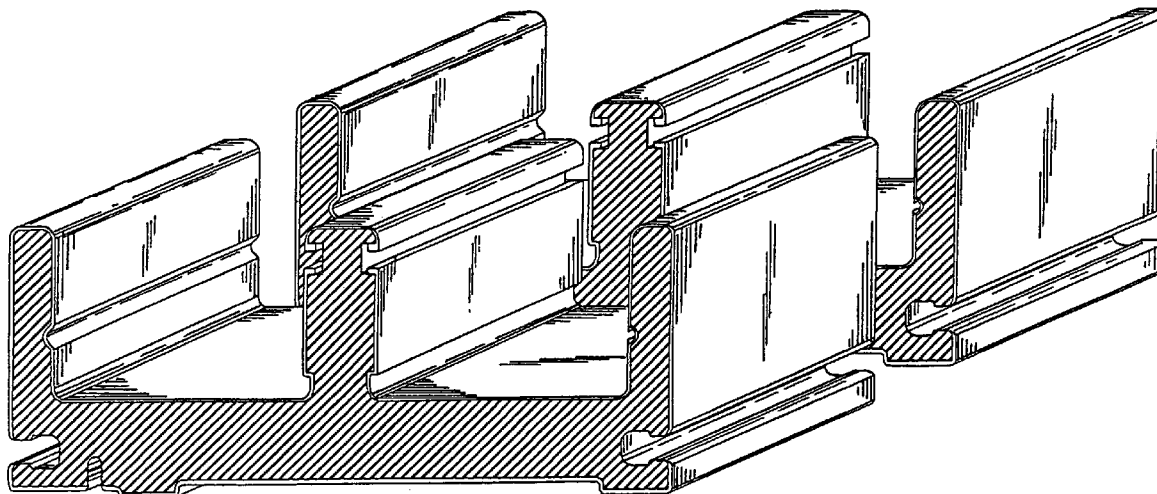
See application file for complete search history.

(56) **References Cited**

U.S. PATENT DOCUMENTS

3,662,494 A * 5/1972 Sitterly 49/504

1 Claim, 2 Drawing Sheets



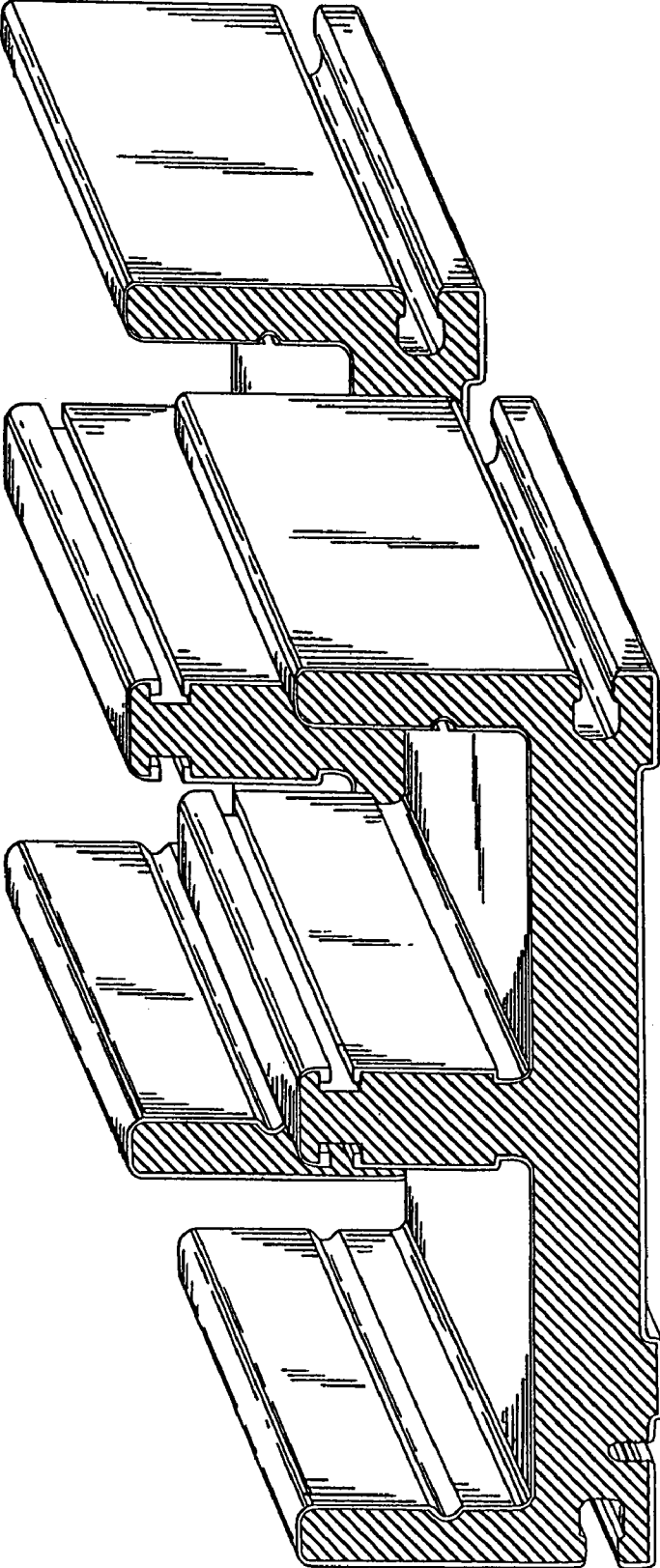


FIGURE 1

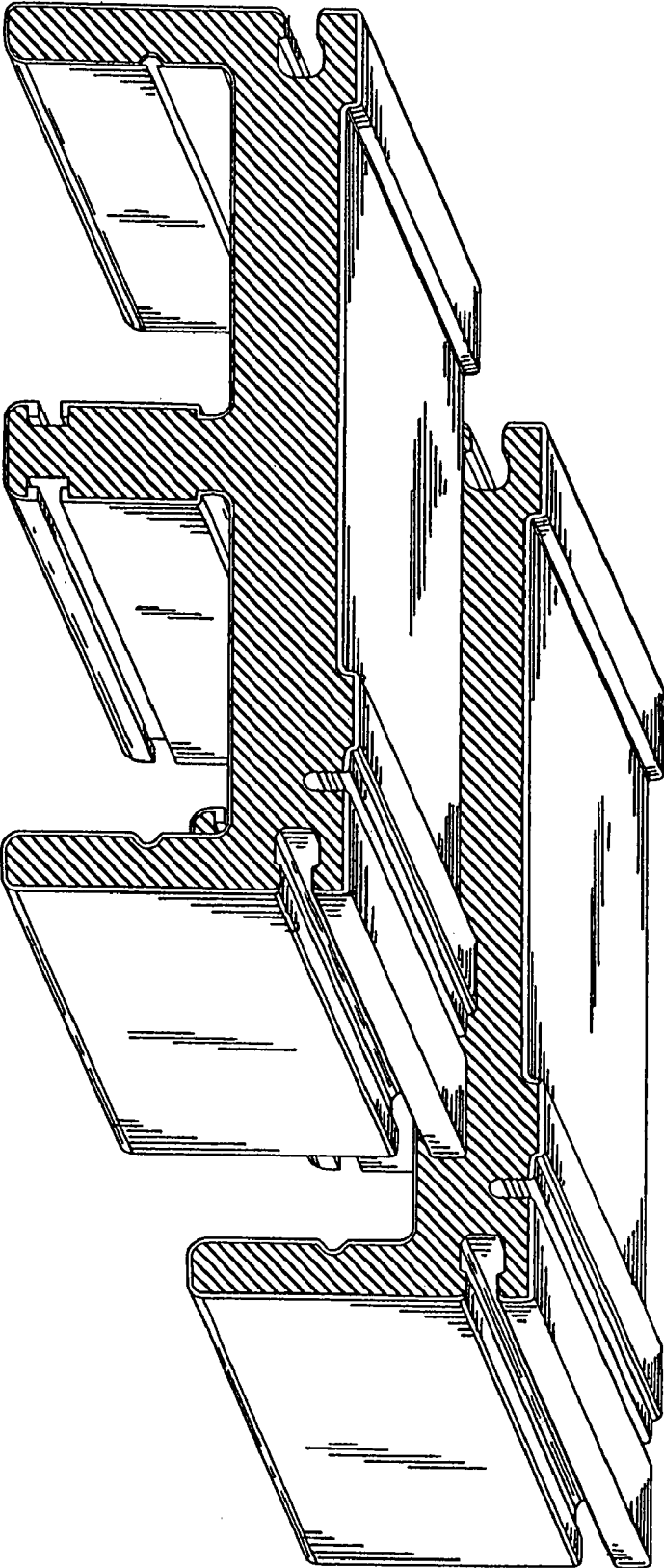


FIGURE 2