



US00D741267S

(12) **United States Design Patent**  
**Byrne et al.**

(10) **Patent No.:** **US D741,267 S**

(45) **Date of Patent:** **\*\* Oct. 20, 2015**

- (54) **ELECTRICAL RECEPTACLE**
- (71) Applicants: **Norman R. Byrne**, Ada, MI (US);  
**Daniel P. Byrne**, Lowell, MI (US);  
**Thomas A. Petersen**, Sand Lake, MI (US)
- (72) Inventors: **Norman R. Byrne**, Ada, MI (US);  
**Daniel P. Byrne**, Lowell, MI (US);  
**Thomas A. Petersen**, Sand Lake, MI (US)
- (\*\*) Term: **14 Years**
- (21) Appl. No.: **29/490,845**
- (22) Filed: **May 14, 2014**
- (51) **LOC (10) Cl.** ..... **13-03**
- (52) **U.S. Cl.**  
USPC ..... **D13/139.1**
- (58) **Field of Classification Search**  
USPC ..... D13/139.1, 147, 110, 137.1, 138.2,  
D13/137.2, 133, 145, 146, 139.4; 439/106,  
439/131, 105, 107, 170-173  
CPC ..... H01R 13/652; H01R 35/04; H01R 31/02;  
H01R 29/00; H01R 27/00  
See application file for complete search history.

- 6,488,540 B2 12/2002 Coyle et al.
- 6,981,896 B2 1/2006 Su
- 7,244,128 B2 7/2007 Byrne
- 7,258,564 B1 8/2007 Su
- D558,676 S 1/2008 Fort et al.
- D568,816 S 5/2008 Micheals

(Continued)

**OTHER PUBLICATIONS**

Heyco datasheet entitled "Preassembled Cordset Components: Tri-Tap Premold-NEMA 5-15R," available at [http://www.heyco.com/Power\\_Components/pdf/8-28.pdf](http://www.heyco.com/Power_Components/pdf/8-28.pdf).

(Continued)

*Primary Examiner* — Holly Baynham  
*Assistant Examiner* — Rhea Shields

(74) *Attorney, Agent, or Firm* — Gardner, Linn, Burkhardt & Flory, LLP

(57) **CLAIM**

The ornamental design for an electrical receptacle, as shown and described.

**DESCRIPTION**

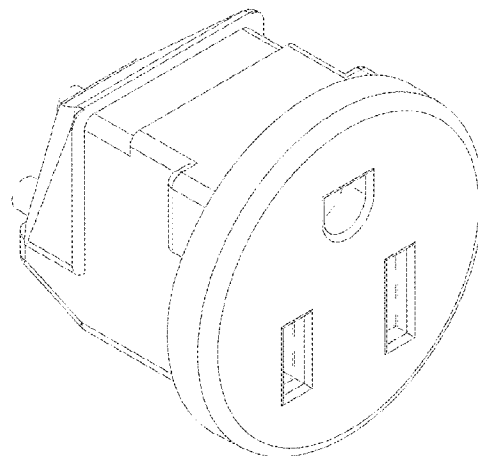
FIG. 1 is a perspective view of an electrical receptacle showing our new design;  
 FIG. 2 is a top plan view of the electrical receptacle of FIG. 1;  
 FIG. 3 is a bottom plan view of the electrical receptacle of FIG. 1;  
 FIG. 4 is a front elevation of the electrical receptacle of FIG. 1;  
 FIG. 5 is a rear elevation of the electrical receptacle of FIG. 1;  
 FIG. 6 is a right side elevation of the electrical receptacle of FIG. 1;  
 FIG. 7 is a left side elevation of the electrical receptacle of FIG. 1; and,  
 FIG. 8 is a perspective view of the electrical receptacle of FIG. 1, shown in an exemplary operating environment.  
 In the drawings, the broken lines depict environmental subject matter only and form no part of the claimed design.

**1 Claim, 3 Drawing Sheets**

(56) **References Cited**

**U.S. PATENT DOCUMENTS**

- 2,249,827 A 7/1941 Herman
- 3,611,257 A 10/1971 Carkhuff
- 3,850,496 A 11/1974 Hague
- 4,372,629 A 2/1983 Propst
- 4,747,788 A 5/1988 Byrne
- 4,984,982 A 1/1991 Brownlie
- 5,234,355 A 8/1993 Sosinski et al.
- D375,292 S \* 11/1996 D'Amato ..... D13/137.1
- 5,575,668 A 11/1996 Timmerman
- 5,647,751 A 7/1997 Shulman et al.
- 5,709,156 A 1/1998 Gevaert
- 5,922,993 A \* 7/1999 Ide et al. .... 174/84 R
- D430,539 S 9/2000 Leopold et al.
- 6,290,512 B1 9/2001 Mullen, Jr.



(56)

**References Cited**

U.S. PATENT DOCUMENTS

D573,950 S 7/2008 Schwartz  
 7,559,795 B2 7/2009 Byrne  
 D614,574 S \* 4/2010 Thommes ..... D13/139.1  
 7,833,037 B2 11/2010 Reusche et al.  
 D633,870 S \* 3/2011 Thommes ..... D13/139.1  
 D670,248 S \* 11/2012 Chen ..... D13/138.2  
 D674,754 S 1/2013 Zanoni et al.  
 D677,630 S \* 3/2013 Zien et al. .... D13/139.8  
 D681,554 S \* 5/2013 Nelson et al. .... D13/137.3  
 8,480,415 B2 7/2013 Byrne  
 8,512,065 B2 8/2013 Byrne et al.  
 D701,836 S 4/2014 Byrne  
 D707,626 S \* 6/2014 Atkinson et al. .... D13/110  
 D711,323 S \* 8/2014 Wardenburg ..... D13/146

2010/0068908 A1 3/2010 Byrne  
 2011/0244700 A1 10/2011 Byrne  
 2012/0184148 A1 7/2012 Byrne

OTHER PUBLICATIONS

<http://www.grainger.com/Grainer/Plug-Adaptor-11K293?Pid=search>, identified May 2, 2013.  
[http://www.zingearpc.en.ec21.com/Zing\\_Ear\\_Snapin\\_Receptacle--5769349\\_5769674.html](http://www.zingearpc.en.ec21.com/Zing_Ear_Snapin_Receptacle--5769349_5769674.html), identified May 2, 2013.  
 Co-pending Design U.S. Appl. No. 29/488,043, filed Apr. 15, 2014, entitled Power Center for a Work Surface.  
 Co-pending Design U.S. Appl. No. 29/490,843, filed May 14, 2014, entitled Low Voltage Electrical Receptacle.  
 Co-pending Design U.S. Appl. No. 29/490,844, filed May 14, 2014, entitled Low Voltage Electrical Receptacle.  
 Co-pending Design U.S. Appl. No. 29/490,846, filed May 14, 2014, entitled Electrical Receptacle.

\* cited by examiner

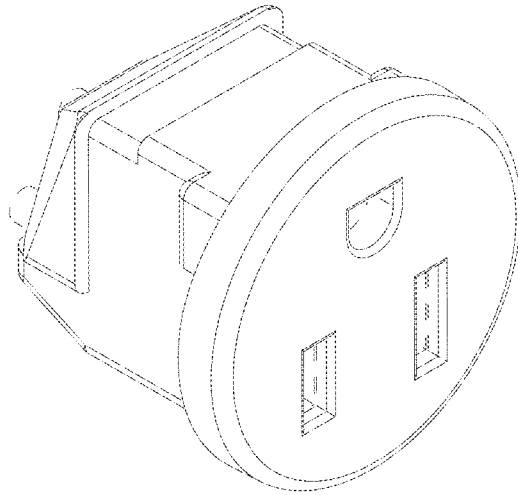


FIG. 1

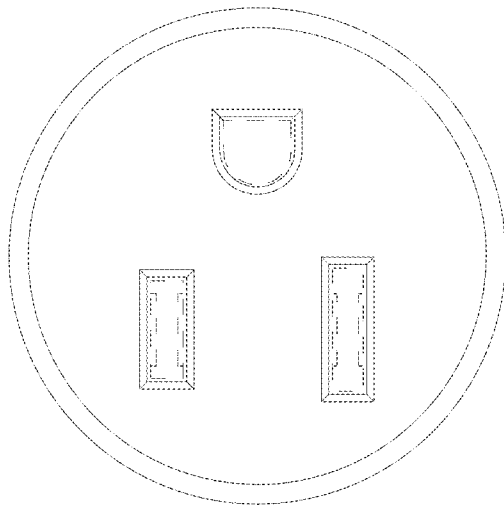


FIG. 2

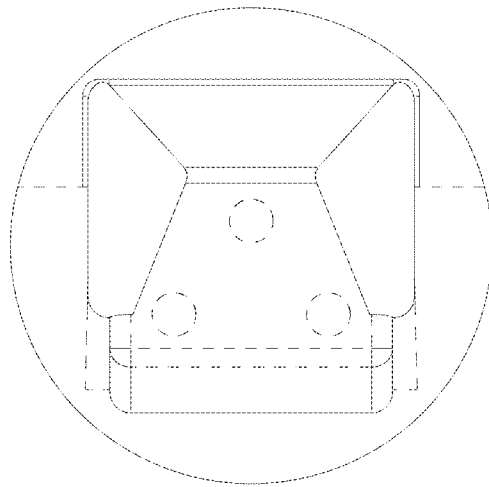


FIG. 3

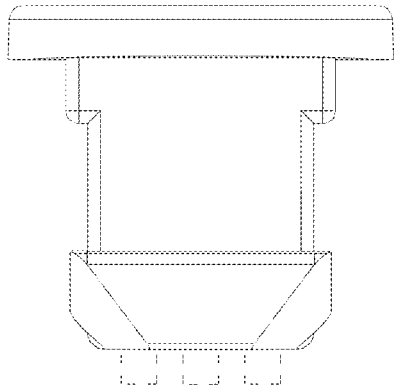


FIG. 4

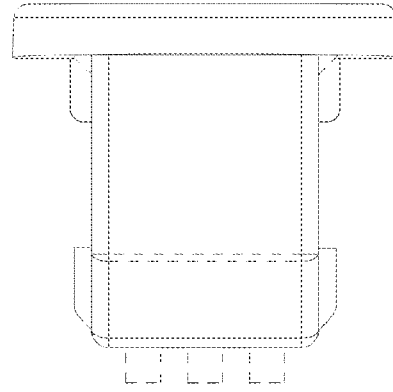


FIG. 5

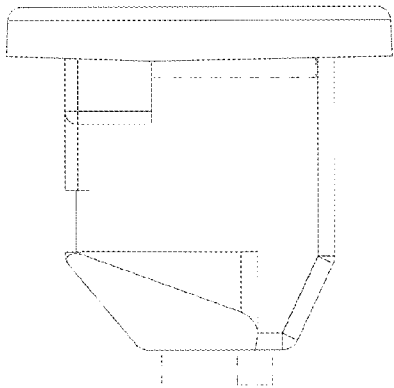


FIG. 6

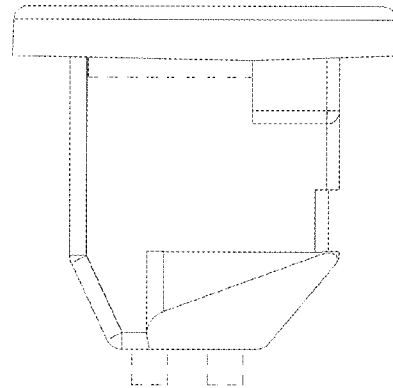


FIG. 7

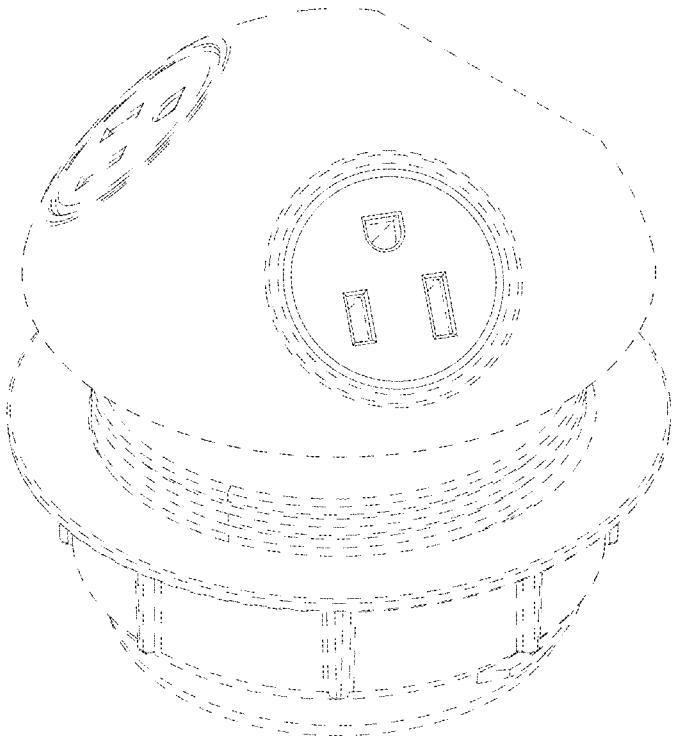


FIG. 8