



US00D985673S

(12) **United States Design Patent**
Eatman et al.

(10) **Patent No.:** **US D985,673 S**

(45) **Date of Patent:** **** May 9, 2023**

(54) **GAMING MACHINE DISPLAY**
(71) Applicant: **ARISTOCRAT TECHNOLOGIES**
AUSTRALIA PTY LIMITED, North
Ryde (AU)

(72) Inventors: **Reginna Eatman**, Las Vegas, NV (US);
Rena M. Schoonmaker, Las Vegas,
NV (US)

(73) Assignee: **Aristocrat Technologies Australia Pty**
Limited, North Ryde (AU)

(**) Term: **15 Years**

(21) Appl. No.: **29/670,202**

(22) Filed: **Nov. 14, 2018**

(51) **LOC (14) Cl.** **20-03**

(52) **U.S. Cl.**
USPC **D20/10**

(58) **Field of Classification Search**
USPC D20/10, 18–21, 39, 41–44; D21/385;
D14/305, 307, 314–316, 335, 336,
D14/339–340, 371, 432
CPC G09G 2380/02; G09G 2300/026
See application file for complete search history.

(56) **References Cited**

U.S. PATENT DOCUMENTS

2,830,395	A *	4/1958	Hutchens	G09F 11/02
					40/502
3,340,633	A *	9/1967	Silberman	G09F 11/02
					40/473
6,578,301	B1	6/2003	Ericson		
D582,985	S *	12/2008	Tanaka	D20/10
8,256,151	B2 *	9/2012	Stafford	G09F 7/18
					40/617
D681,263	S *	4/2013	Van Eekeren	D26/122
D714,875	S *	10/2014	Wudtke	D21/385
8,894,487	B2	11/2014	Granger et al.		
D769,985	S *	10/2016	Roberts	D21/453

9,659,434	B2	5/2017	Bainbridge et al.		
D843,482	S *	3/2019	Holland	D21/396
D859,335	S *	9/2019	D'Ambrosio	D14/125
D866,667	S *	11/2019	Stair	D21/369
10,565,831	B2 *	2/2020	Bolling, Jr.	G07F 17/34
D880,605	S *	4/2020	Bussey	D21/369
D882,699	S *	4/2020	Bernard	D21/385

(Continued)

OTHER PUBLICATIONS

“Circular led screen, LED Display working and testing” Apr. 25, 2016, site visited Dec. 14, 2021: <https://youtu.be/S-EDS7TCzmA> (Year: 2016).*

(Continued)

Primary Examiner — Michael C Stout

Assistant Examiner — Melvin L Davis

(74) *Attorney, Agent, or Firm* — Armstrong Teasdale LLP

(57) **CLAIM**

We claim the ornamental design for a gaming machine display, as shown and described.

DESCRIPTION

FIG. 1 is a front perspective view of a gaming machine display showing our new design;

FIG. 2 is a front view of the gaming machine display shown in FIG. 1;

FIG. 3 is a back view of the gaming machine display shown in FIG. 1;

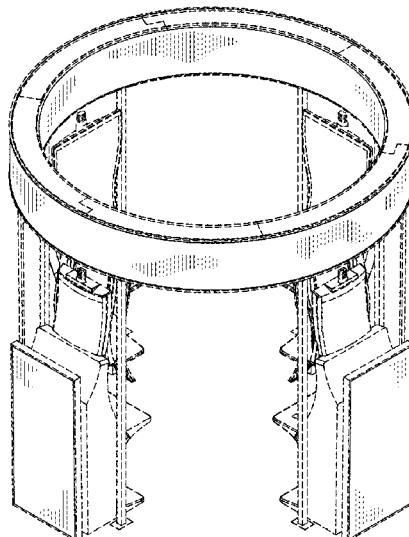
FIG. 4 is a left side view of the gaming machine display shown in FIG. 1;

FIG. 5 is a right side view of the gaming machine display shown in FIG. 1; and,

FIG. 6 is a top view of the gaming machine display shown in FIG. 1.

The showing of broken lines are included for the purpose of illustrating environmental structure and forms no part of the claimed design.

1 Claim, 6 Drawing Sheets



(56)

References Cited

U.S. PATENT DOCUMENTS

10,629,032 B2 * 4/2020 Hawkins G07F 17/3265
 D883,393 S * 5/2020 Bernard D21/385
 D891,520 S * 7/2020 Urban D21/385
 D906,155 S * 12/2020 Freiberg D11/26
 D908,653 S * 1/2021 Eatman D14/127
 D910,762 S * 2/2021 DeMarco D21/369
 D914,807 S * 3/2021 Olive D21/369
 D916,969 S * 4/2021 Fleming, Jr. D20/10
 D934,346 S * 10/2021 Olive D21/369
 2005/0174302 A1 * 8/2005 Ishii G09F 9/30
 345/30
 2007/0033847 A1 * 2/2007 Tanaka G06F 1/163
 40/661.05
 2008/0067312 A1 3/2008 Allen
 2012/0206925 A1 * 8/2012 Shenk F21V 1/06
 362/352
 2013/0116809 A1 5/2013 Carpenter
 2014/0326022 A1 * 11/2014 Tosyali A44C 9/02
 63/15.1
 2014/0342825 A1 11/2014 Schrementi

2017/0345250 A1 11/2017 Pececnik
 2017/0358176 A1 12/2017 Carpenter et al.
 2019/0056762 A1 2/2019 Azam

OTHER PUBLICATIONS

“Adnoc led screen Round Circular LED Display Screen—Circular Ticker LED Screen” Oct. 2, 2018, site visited Dec. 14, 2021: <https://youtu.be/4Wzz9XVqYJQ> (Year: 2018).
 “Bigabox Circular LED video screens” Oct. 26, 2017, site visited Dec. 14, 2021: <https://youtu.be/OO2WK08xEo0> (Year: 2017).
 Notice of Allowance dated Oct. 28, 2020 for U.S. Appl. No. 16/385,976 (pp. 1-5).
 Office Action dated Jun. 5, 2020 for U.S. Appl. No. 16/385,976 (pp. 1-11).
 Paltronics Australia—<https://www.paltronics.com.au/jackpot-link/led-displays/>, Mar. 28, 2018, 1 page.
 Shenzhen DGX Technology Co., Ltd.—<https://www.youtube.com/watch?v=S-EDS7TCzmA> and www.szgdx.com, dated Apr. 25, 2016, 1 page.
 Gamecraft—<http://www.game-craft.com.au/gen-1-signage-hardware/> printed on Apr. 4, 2022, 4 pages.

* cited by examiner

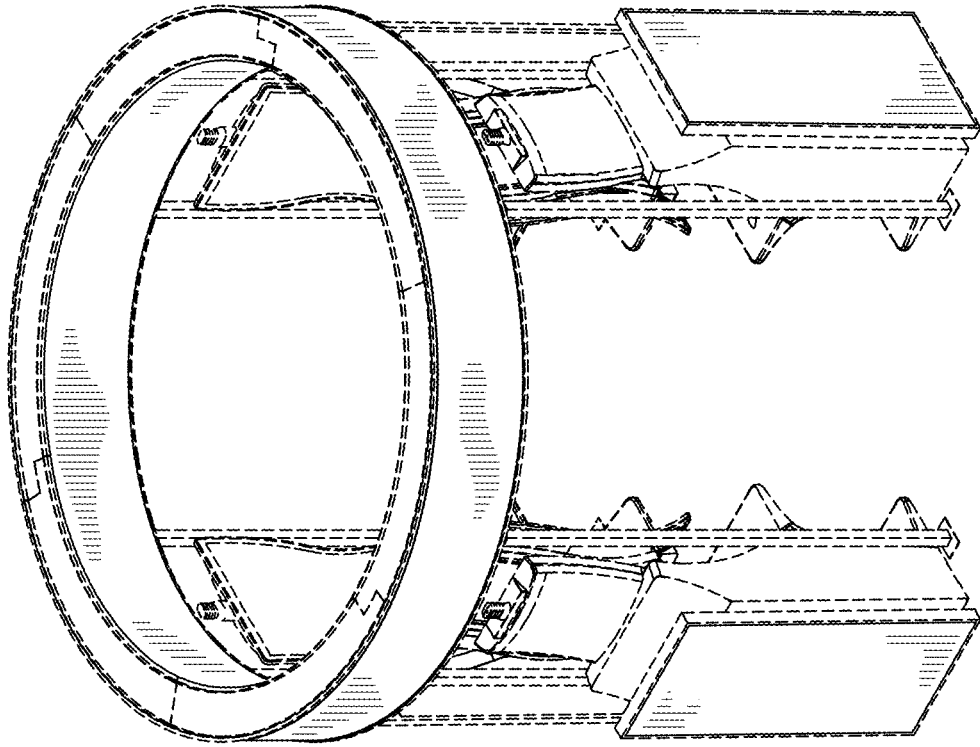


FIG. 1

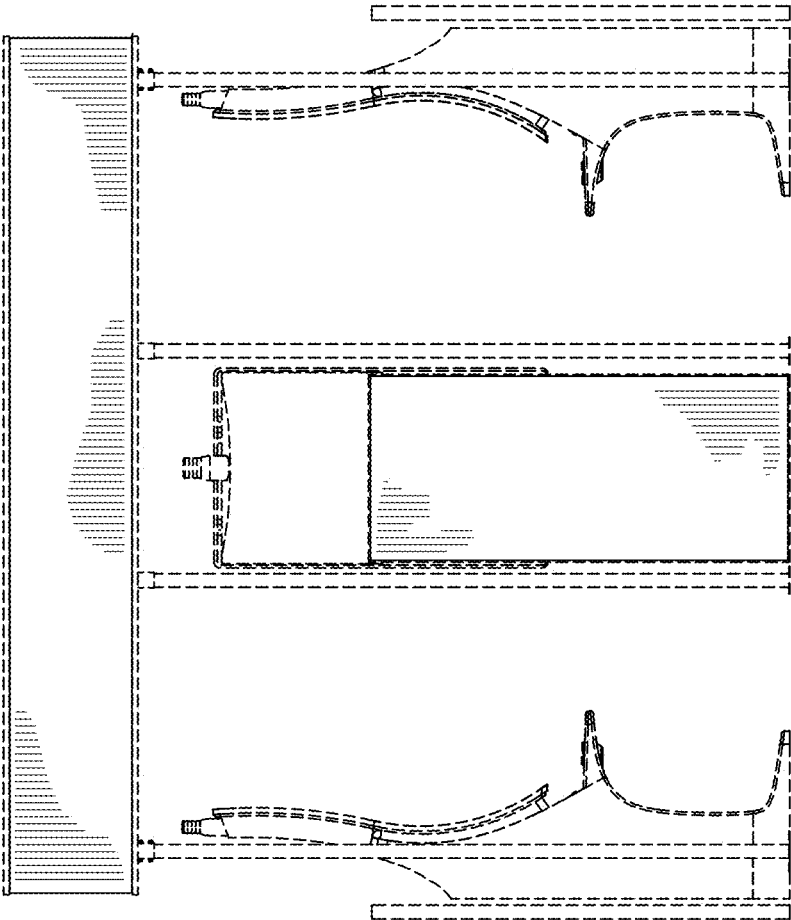


FIG. 2

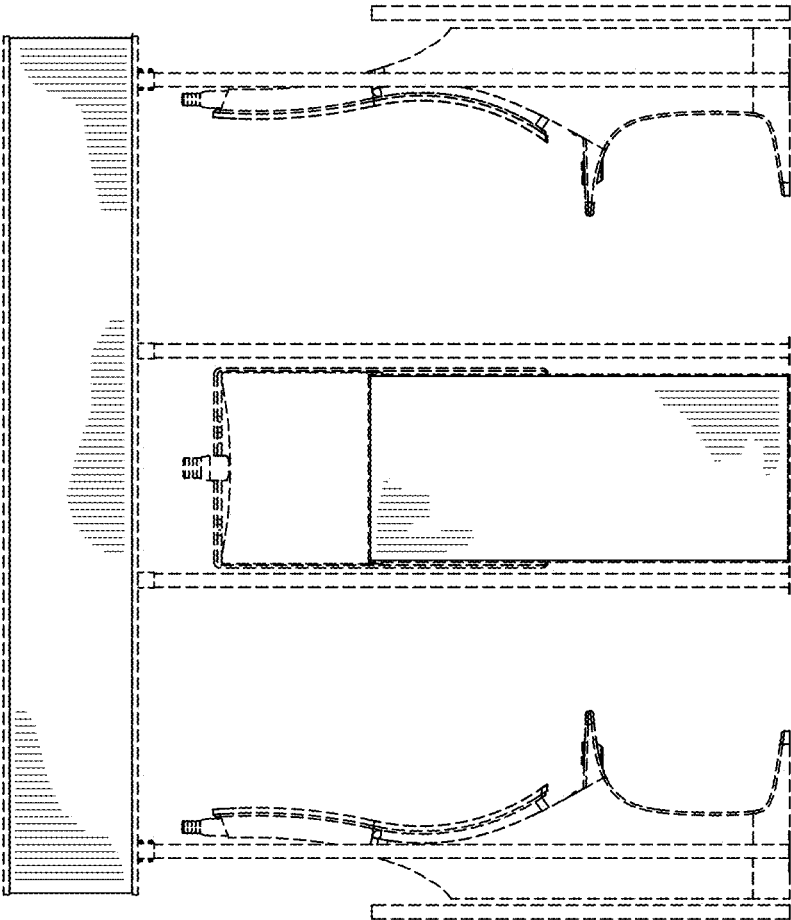


FIG. 3

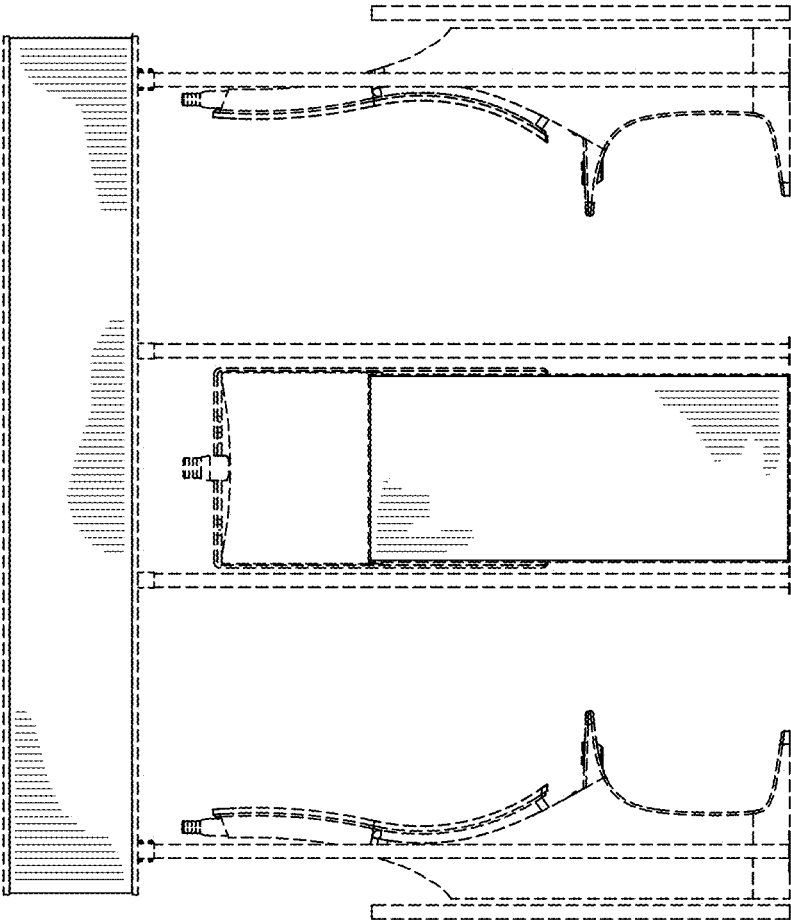


FIG. 4

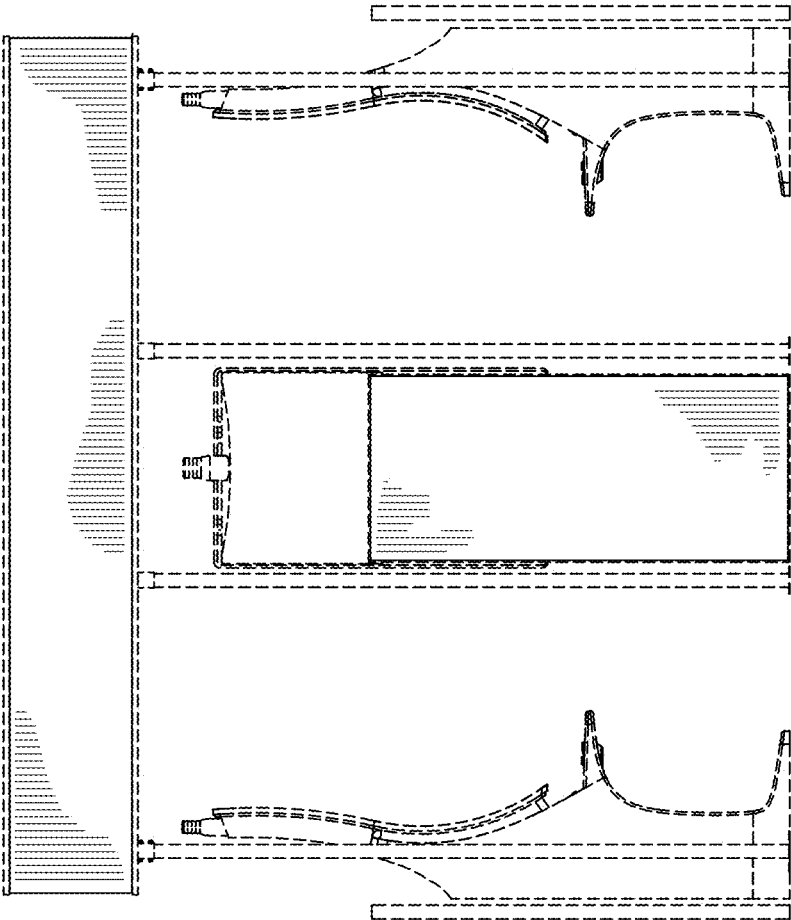


FIG. 5

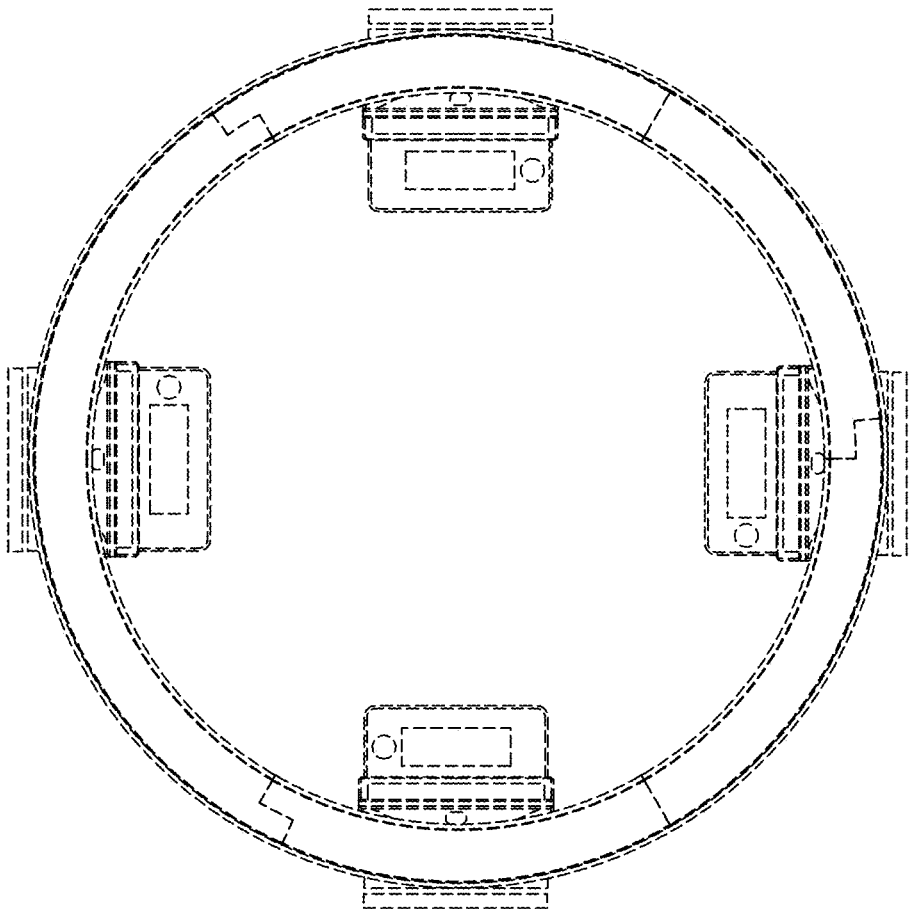


FIG. 6