



(51) International Patent Classification:

F02B 39/00 (2006.01) F01D 25/24 (2006.01)
F01D 25/16 (2006.01) F16C 35/00 (2006.01)

69509 Moerlenbach (DE). SCHUMNIG, Oliver [DE/DE];
Wormser Str. 13, 67598 Gundersheim (DE).

(21) International Application Number:

PCT/US2012/035433

(74) Agents: PENDORF, Stephan A. et al.; Patent Central
LLC, 1401 Hollywood Boulevard, Hollywood, Florida
33020-5237 (US).

(22) International Filing Date:

27 April 2012 (27.04.2012)

(81) Designated States (unless otherwise indicated, for every
kind of national protection available): AE, AG, AL, AM,
AO, AT, AU, AZ, BA, BB, BG, BH, BR, BW, BY, BZ,
CA, CH, CL, CN, CO, CR, CU, CZ, DE, DK, DM, DO,
DZ, EC, EE, EG, ES, FI, GB, GD, GE, GH, GM, GT, HN,
HR, HU, ID, IL, IN, IS, JP, KE, KG, KM, KN, KP, KR,
KZ, LA, LC, LK, LR, LS, LT, LU, LY, MA, MD, ME,
MG, MK, MN, MW, MX, MY, MZ, NA, NG, NI, NO, NZ,
OM, PE, PG, PH, PL, PT, QA, RO, RS, RU, RW, SC, SD,
SE, SG, SK, SL, SM, ST, SV, SY, TH, TJ, TM, TN, TR,
TT, TZ, UA, UG, US, UZ, VC, VN, ZA, ZM, ZW.

(25) Filing Language:

English

(26) Publication Language:

English

(30) Priority Data:

10 2011 101 057.6 10 May 2011 (10.05.2011) DE

(71) Applicant (for all designated States except US):

BORGWARNER INC. [US/US]; Patent Department,
3850 Hamlin Road, Auburn Hills, Michigan 48326 (US).

(72) Inventors; and

(75) Inventors/Applicants (for US only): HEMER, Josef-
Hans [DE/DE]; Gaugasse 6, 67550 Worms (DE).
SCHMITT, Uwe [DE/DE]; Mumbachertalstrasse 15,

(84) Designated States (unless otherwise indicated, for every
kind of regional protection available): ARIPO (BW, GH,
GM, KE, LR, LS, MW, MZ, NA, RW, SD, SL, SZ, TZ,
UG, ZM, ZW), Eurasian (AM, AZ, BY, KG, KZ, RU, TJ,

[Continued on next page]

(54) Title: EXHAUST-GAS TURBOCHARGER

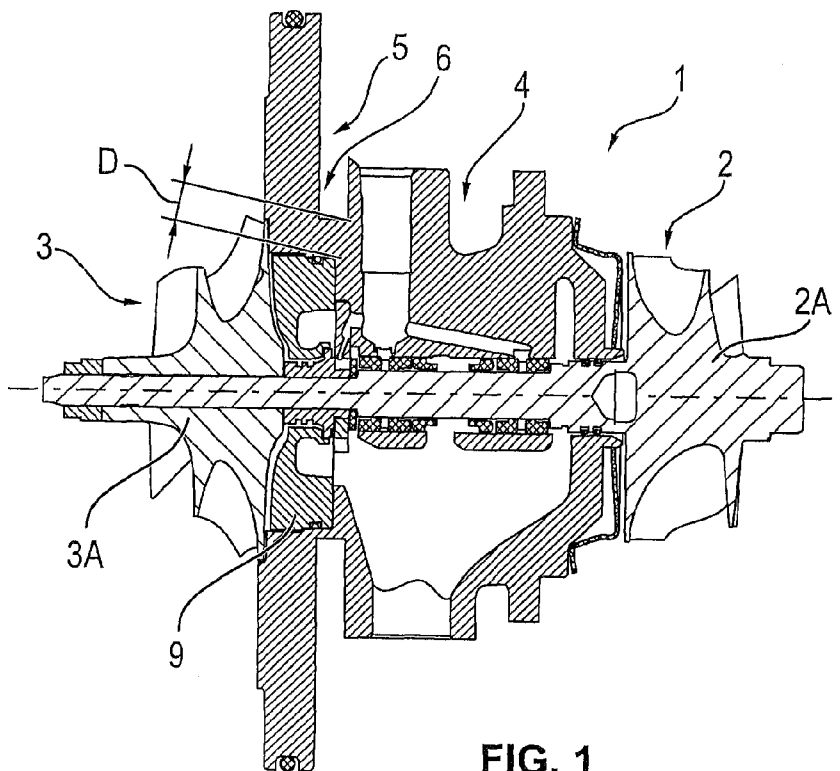


FIG. 1

[Continued on next page]





TM), European (AL, AT, BE, BG, CH, CY, CZ, DE, DK, EE, ES, FI, FR, GB, GR, HR, HU, IE, IS, IT, LT, LU, LV, MC, MK, MT, NL, NO, PL, PT, RO, RS, SE, SI, SK, SM, TR), OAPI (BF, BJ, CF, CG, CI, CM, GA, GN, GQ, GW, ML, MR, NE, SN, TD, TG).

— of inventorship (Rule 4.17(iv))

Published:

— with international search report (Art. 21(3))

— before the expiration of the time limit for amending the claims and to be republished in the event of receipt of amendments (Rule 48.2(h))

Declarations under Rule 4.17:

— as to applicant's entitlement to apply for and be granted a patent (Rule 4.17(ii))

— as to the applicant's entitlement to claim the priority of the earlier application (Rule 4.17(iii))

(88) Date of publication of the international search report:

10 January 2013

(57) Abstract: The present invention relates to an exhaust-gas turbocharger (1) having a turbine (2); having a compressor (3); and having a bearing housing (4) which is arranged between the turbine (2) and the compressor (3) and a compressor-side flange (5) of which adjoins the compressor (3), wherein a heat throttle (6, 6') is arranged in the compressor-side flange (5) of the bearing housing (4).

A. CLASSIFICATION OF SUBJECT MATTER*F02B 39/00(2006.01)i, F01D 25/16(2006.01)i, F01D 25/24(2006.01)i, F16C 35/00(2006.01)i*

According to International Patent Classification (IPC) or to both national classification and IPC

B. FIELDS SEARCHED

Minimum documentation searched (classification system followed by classification symbols)

F02B 39/00; F02B 37/10; F01D 25/24; F02C 6/12; F02B 33/44; F02B 37/00; F02D 23/00

Documentation searched other than minimum documentation to the extent that such documents are included in the fields searched

Korean utility models and applications for utility models

Japanese utility models and applications for utility models

Electronic data base consulted during the international search (name of data base and, where practicable, search terms used)

eKOMPASS(KIPO internal) & Keywords: turbocharger, turbine, compressor, flange, recess, opening, undercut, groove, heat, throttle

C. DOCUMENTS CONSIDERED TO BE RELEVANT

Category*	Citation of document, with indication, where appropriate, of the relevant passages	Relevant to claim No.
A	EP 0781908 A2 (ISHIKAWAJIMA-HARIMA HEAVY INDUSTRIES CO., LTD.) 02 July 1997 See the abstract, column 2 lines 36-44, column 3 lines 37-49, column 7 lines 28-36, figures 1,2	1-12
A	US 05857332 A (JOHNSTON; BEVAN H. et al.) 12 January 1999 See the abstract, column 4 line 62 - column 5 line 7, figure 1	1-12
A	US 2005-0257522 A1 (JOHAN FREMEREY et al.) 24 November 2005 See the abstract, paragraphs 0029-0030, figures 4,5	1-12
A	WO 2010-002717 A2 (BORGWARNER INC. et al.) 07 January 2010 See the figure 4	1-12

 Further documents are listed in the continuation of Box C. See patent family annex.

* Special categories of cited documents:

"A" document defining the general state of the art which is not considered to be of particular relevance

"E" earlier application or patent but published on or after the international filing date

"L" document which may throw doubts on priority claim(s) or which is cited to establish the publication date of citation or other special reason (as specified)

"O" document referring to an oral disclosure, use, exhibition or other means

"P" document published prior to the international filing date but later than the priority date claimed

"T" later document published after the international filing date or priority date and not in conflict with the application but cited to understand the principle or theory underlying the invention

"X" document of particular relevance; the claimed invention cannot be considered novel or cannot be considered to involve an inventive step when the document is taken alone

"Y" document of particular relevance; the claimed invention cannot be considered to involve an inventive step when the document is combined with one or more other such documents, such combination being obvious to a person skilled in the art

"&" document member of the same patent family

Date of the actual completion of the international search

12 NOVEMBER 2012 (12.11.2012)

Date of mailing of the international search report

14 NOVEMBER 2012 (14.11.2012)

Name and mailing address of the ISA/KR

Korean Intellectual Property Office
189 Cheongsa-ro, Seo-gu, Daejeon Metropolitan
City, 302-701, Republic of Korea

Facsimile No. 82-42-472-7140

Authorized officer

LEE, TAEK SANG

Telephone No. 82-42-481-5492



INTERNATIONAL SEARCH REPORT

Information on patent family members

International application No.

PCT/US2012/035433

Patent document cited in search report	Publication date	Patent family member(s)	Publication date
EP 0781908 A2	02.07.1997	EP 0781908 A3 JP 03-711604 B2 JP 09-177557 A	20.05.1998 02.11.2005 08.07.1997
US 05857332 A	12.01.1999	EP 0956435 A1 EP 0956435 B1 WO 98-28527 A1	22.05.2002 25.02.2004 02.07.1998
US 2005-0257522 A1	24.11.2005	DE 102004025049 A1 EP 1598521 A1 EP 1795711 A2 JP 2005-330968 A US 2007-0113552 A1	15.12.2005 23.11.2005 13.06.2007 02.12.2005 24.05.2007
WO 2010-002717 A2	07.01.2010	CN 102066715 A DE 112009001444 T5 JP 2011-526980 A KR 10-2011-0025692 A US 2011-0103948 A1 WO 2010-002717 A3	18.05.2011 29.09.2011 20.10.2011 10.03.2011 05.05.2011 07.01.2010