



US00D487474S

(12) **United States Design Patent** (10) **Patent No.:** **US D487,474 S**
Hon (45) **Date of Patent:** **** Mar. 9, 2004**

- (54) **ROUTER TABLE**
- (75) Inventor: **Tsang Lap Hon, Tuen Mun (HK)**
- (73) Assignee: **One World Technologies, Limited, Hamilton (BM)**
- (**) Term: **14 Years**
- (21) Appl. No.: **29/179,858**
- (22) Filed: **Apr. 16, 2003**
- (51) **LOC (7) Cl.** **15-09**
- (52) **U.S. Cl.** **D15/127**
- (58) **Field of Search** D15/127, 135, D15/138, 140; 144/134.1, 135.2, 136.1, 204.2, 253.2, 253.5, 286.1, 286.5

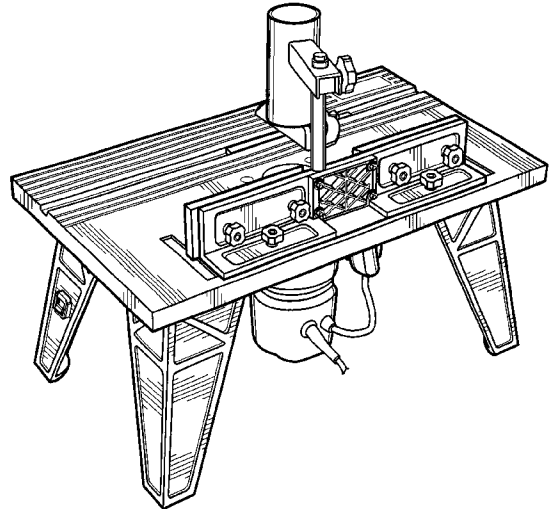
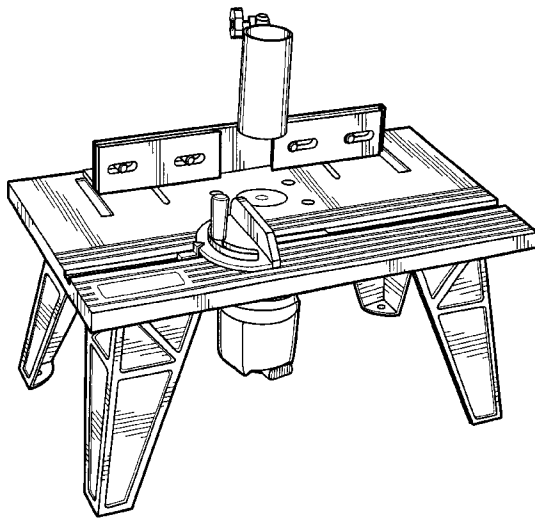
- (56) **References Cited**
- U.S. PATENT DOCUMENTS**
- D394,071 S * 5/1998 Ceroll et al. D15/133
- D443,882 S * 6/2001 Daniels et al. D15/127

D457,176 S * 5/2002 Daniels et al. D15/127
* cited by examiner
Primary Examiner—Brian N. Vinson
(74) *Attorney, Agent, or Firm*—Andrew Y. Pang; Nexsen Pruet Jacobs & Pollard, LLC

(57) **CLAIM**
The ornamental design for a router table, as shown and described.

DESCRIPTION
FIG. 1 is a front perspective view of the router table of the present invention;
FIG. 2 is a rear perspective view thereof;
FIG. 3 is a front view thereof;
FIG. 4 is a rear view thereof;
FIG. 5 is a left side elevational view thereof;
FIG. 6 is a right side elevational view thereof;
FIG. 7 is a top view thereof; and,
FIG. 8 is a bottom view thereof.

1 Claim, 4 Drawing Sheets



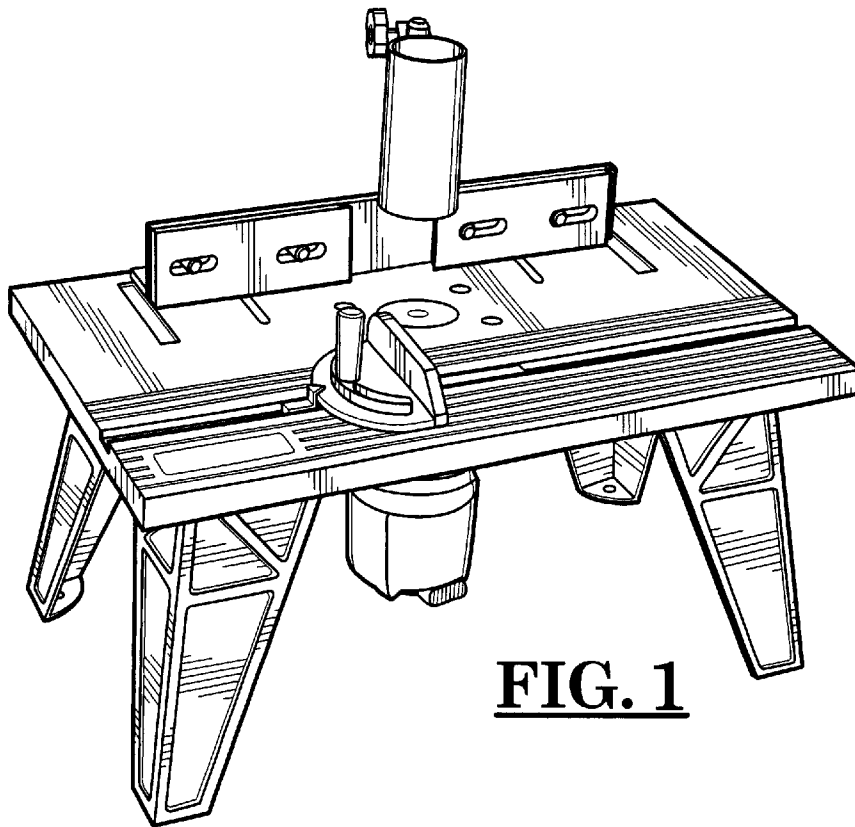


FIG. 1

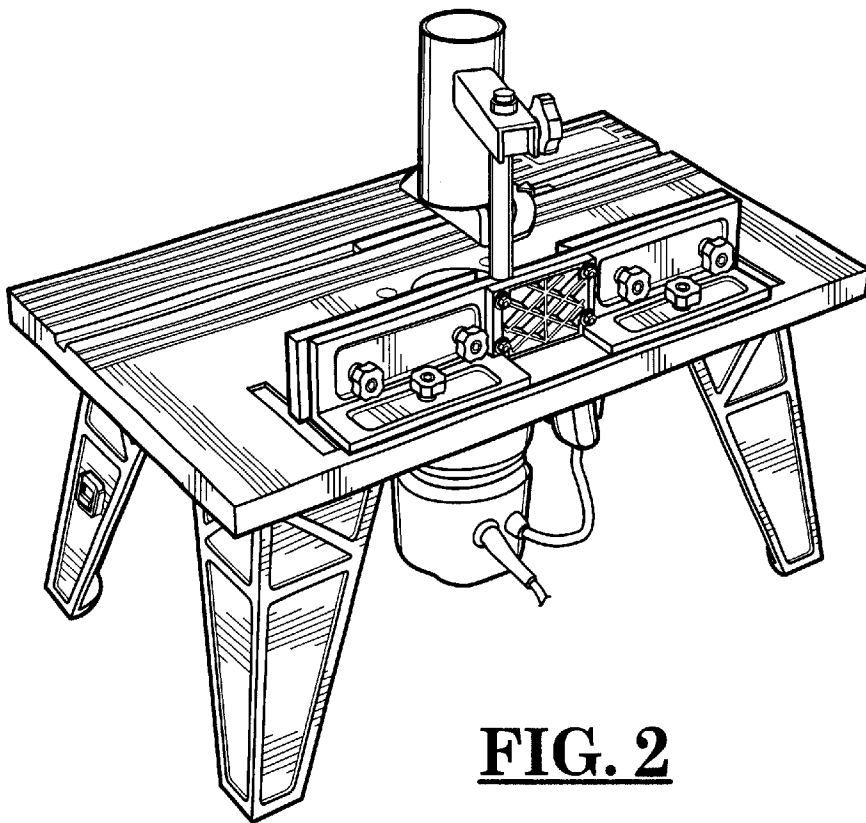


FIG. 2

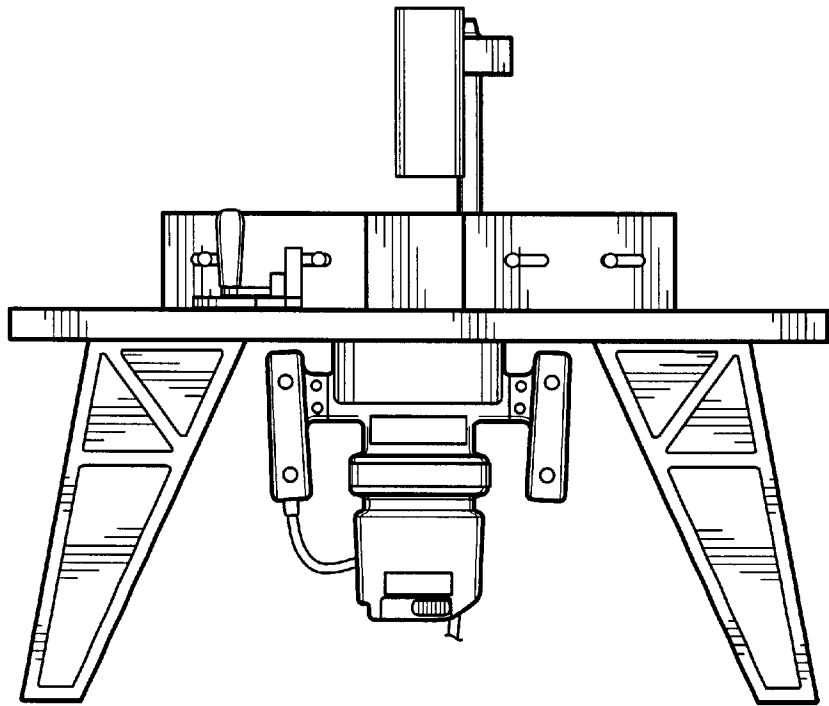


FIG. 3

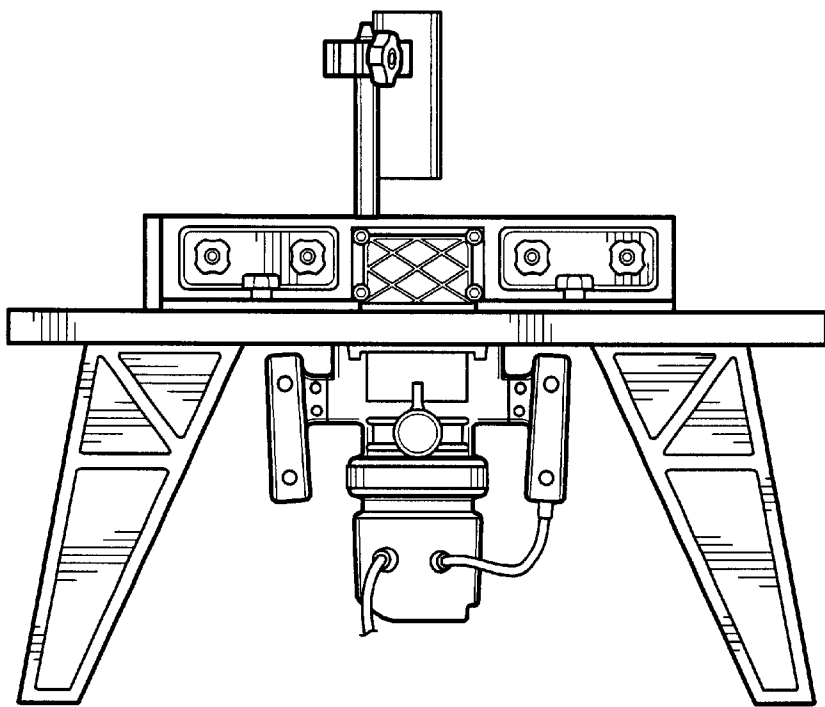


FIG. 4

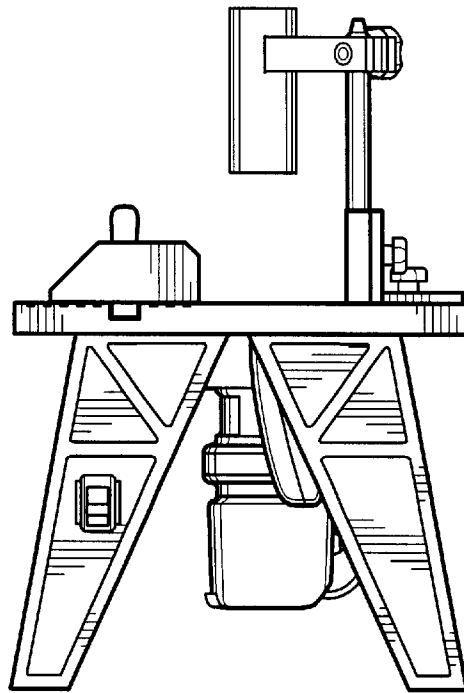


FIG. 5

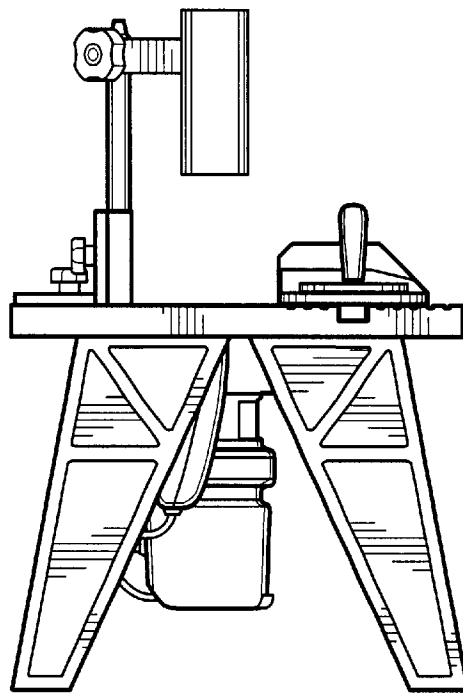


FIG. 6

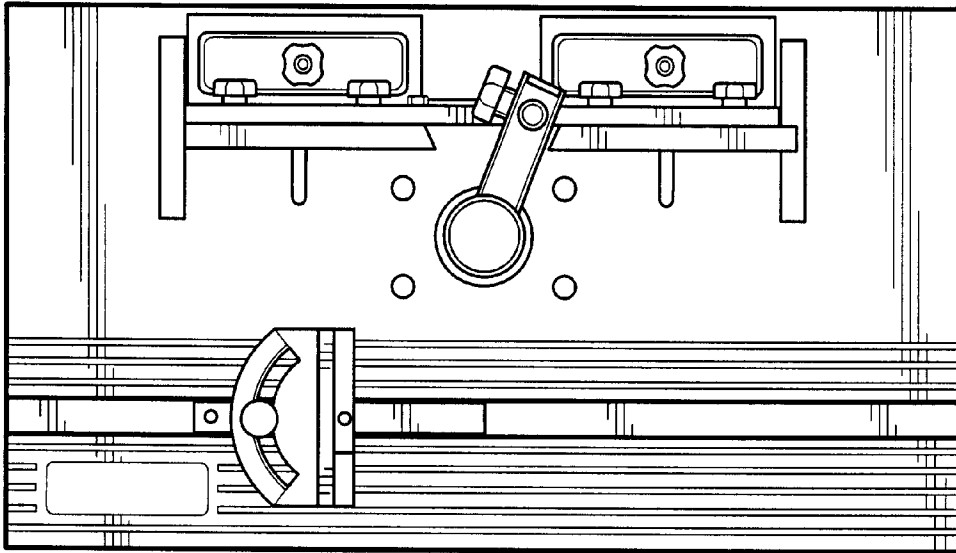


FIG. 7

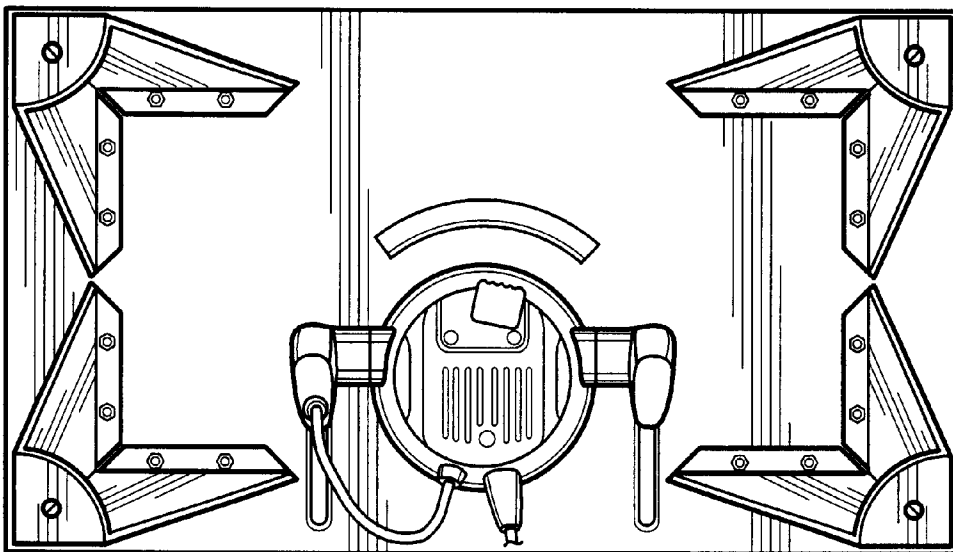


FIG. 8