

(19) World Intellectual Property Organization
International Bureau



(43) International Publication Date
25 January 2007 (25.01.2007)

PCT

(10) International Publication Number
WO 2007/011864 A3

(51) International Patent Classification:
E03F 5/14 (2006.01)

OH 45701 (US). MITCHELL, Gayle, F. [US/US]; 173 Longview Hts., Athens, OH 45701 (US).

(21) International Application Number:
PCT/US2006/027663

(74) Agent: HULL, Mark, R.; CALFEE, HALTER & GRISWOLD LLP, 800 Superior Ave., Ste. 1400, Cleveland, OH 44114 (US).

(22) International Filing Date: 17 July 2006 (17.07.2006)

(81) Designated States (unless otherwise indicated, for every kind of national protection available): AE, AG, AL, AM, AT, AU, AZ, BA, BB, BG, BR, BW, BY, BZ, CA, CH, CN, CO, CR, CU, CZ, DE, DK, DM, DZ, EC, EE, EG, ES, FI, GB, GD, GE, GH, GM, HN, HR, HU, ID, IL, IN, IS, JP, KE, KG, KM, KN, KP, KR, KZ, LA, LC, LK, LR, LS, LT, LU, LV, LY, MA, MD, MG, MK, MN, MW, MX, MZ, NA, NG, NI, NO, NZ, OM, PG, PH, PL, PT, RO, RS, RU, SC, SD, SE, SG, SK, SL, SM, SY, TJ, TM, TN, TR, TT, TZ, UA, UG, US, UZ, VC, VN, ZA, ZM, ZW.

(25) Filing Language: English

(26) Publication Language: English

(30) Priority Data:
11/184,133 18 July 2005 (18.07.2005) US

(71) Applicant (for all designated States except US): OHIO UNIVERSITY [US/US]; TECHNOLOGY TRANSFER OFFICE, Unit 14, 340 West Station Street, Athens, OH 45701 (US).

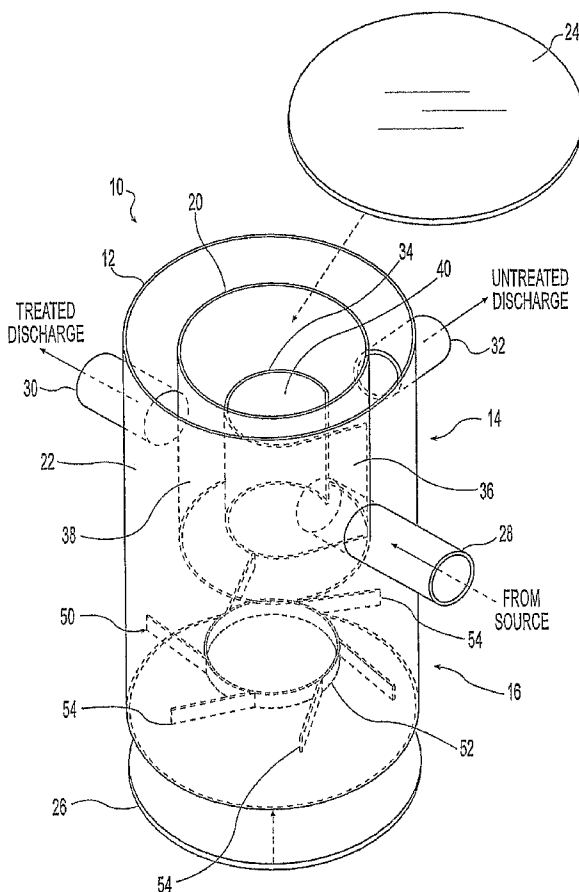
(84) Designated States (unless otherwise indicated, for every kind of regional protection available): ARIPO (BW, GH, GM, KE, LS, MW, MZ, NA, SD, SL, SZ, TZ, UG, ZM, ZW), Eurasian (AM, AZ, BY, KG, KZ, MD, RU, TJ, TM), European (AT, BE, BG, CH, CY, CZ, DE, DK, EE, ES, FI,

(72) Inventors; and

(75) Inventors/Applicants (for US only): SU, Yuming [CN/US]; 300 West State Street, Apt. # J-3, Athens,

[Continued on next page]

(54) Title: STORM WATER RUNOFF TREATMENT SYSTEM



(57) Abstract: A hydrodynamic device for removing sediment and other materials from storm water runoff is provided. An exemplary embodiment of this device includes: a first substantially cylindrical chamber a second substantially cylindrical chamber concentrically disposed within the upper portion of the first chamber, a first baffle concentrically disposed within the second chamber, and a second baffle disposed within the lower portion of the first chamber. A water inlet is attached to or formed integrally with the second chamber; a water outlet is attached to or formed integrally with the first chamber; and an optional bypass outlet is attached to or formed integrally with the first chamber.

WO 2007/011864 A3



FR, GB, GR, HU, IE, IS, IT, LT, LU, LV, MC, NL, PL, PT,
RO, SE, SI, SK, TR), OAPI (BF, BJ, CF, CG, CI, CM, GA,
GN, GQ, GW, ML, MR, NE, SN, TD, TG).

Published:

- *with international search report*
- *before the expiration of the time limit for amending the claims and to be republished in the event of receipt of amendments*

Declaration under Rule 4.17:

- *of inventorship (Rule 4.17(iv))*

(88) Date of publication of the international search report:

27 March 2008

INTERNATIONAL SEARCH REPORT

International application No.
PCT/US 06/27663

A. CLASSIFICATION OF SUBJECT MATTER IPC(8) - E03F 5/14 (2007.01) USPC - 210/156 According to International Patent Classification (IPC) or to both national classification and IPC		
B. FIELDS SEARCHED Minimum documentation searched (classification system followed by classification symbols) IPC(8) - E03F 5/14 (2007.01) USPC - 210/156; 210/154; 210/156; 210/14; 210/312; 210/145 Documentation searched other than minimum documentation to the extent that such documents are included in the fields searched IPC(8) - E03F 5/14 (2007.01) - see keywords below USPC - 210/156; 210/154; 210/156; 210/14; 210/312; 210/145 - see keywords below Electronic data base consulted during the international search (name of data base and, where practicable, search terms used) USPTO - WEST - PGPB,USPT,EPAB,JPAB keywords - drain, storm, baffle, adsorbent, cylinder\$ or cylindrical\$		
C. DOCUMENTS CONSIDERED TO BE RELEVANT		
Category*	Citation of document, with indication, where appropriate, of the relevant passages	Relevant to claim No.
X ----- Y	US 5,458,769 A (JOHANNESEN). 17 October 1995 (17.10.1995) Entire document	1, 2, 4, 6-12, 14-17, 19 and 21-28 ----- 3, 5, 18, 20 and 29-35
Y	US 2005/0109693 A1 (ALLARD) 26 May 2005 (26.05.2005) , para [0032]	5, 20 and 31
Y	US 6,315,897 B1 (MAXWELL) 13 November 2001 (13.11.2001)	3, 18 and 29-35
<input type="checkbox"/> Further documents are listed in the continuation of Box C. <input type="checkbox"/>		
* Special categories of cited documents: "A" document defining the general state of the art which is not considered to be of particular relevance "E" earlier application or patent but published on or after the international filing date "L" document which may throw doubts on priority claim(s) or which is cited to establish the publication date of another citation or other special reason (as specified) "O" document referring to an oral disclosure, use, exhibition or other means "P" document published prior to the international filing date but later than the priority date claimed "T" later document published after the international filing date or priority date and not in conflict with the application but cited to understand the principle or theory underlying the invention "X" document of particular relevance; the claimed invention cannot be considered novel or cannot be considered to involve an inventive step when the document is taken alone "Y" document of particular relevance; the claimed invention cannot be considered to involve an inventive step when the document is combined with one or more other such documents, such combination being obvious to a person skilled in the art "&" document member of the same patent family		
Date of the actual completion of the international search 26 January 2007 (26.01.2007)	Date of mailing of the international search report 31 JAN 2008	
Name and mailing address of the ISA/US Mail Stop PCT, Attn: ISA/US, Commissioner for Patents P.O. Box 1450, Alexandria, Virginia 22313-1450 Facsimile No. 571-273-3201	Authorized officer: Lee W. Young PCT Helpdesk: 571-272-4300 PCT OSP: 571-272-7774	