



US00D713269S

(12) **United States Design Patent**  
**Rapko**

(10) **Patent No.:** **US D713,269 S**

(45) **Date of Patent:** **\*\* Sep. 16, 2014**

(54) **WRIST WATCH CASE**

(76) Inventor: **Thomas Rapko**, Boston, MA (US)

(\*\*) Term: **14 Years**

(21) Appl. No.: **29/428,155**

(22) Filed: **Jul. 26, 2012**

(51) **LOC (10) Cl.** ..... **10-02**

(52) **U.S. Cl.**  
USPC ..... **D10/30; D10/38**

(58) **Field of Classification Search**  
CPC ..... G04C 3/00; G04C 3/001; G04G 9/00;  
G04G 17/00; G04G 17/08; G04B 37/00;  
G04B 39/00

USPC ..... D10/30-39, 122-132, 1-29; 368/10,  
368/47, 76, 78, 80, 82, 85, 88, 107, 113,  
368/223, 276, 281, 294; 361/679.1

See application file for complete search history.

(56) **References Cited**

**U.S. PATENT DOCUMENTS**

|           |    |   |         |               |       |        |
|-----------|----|---|---------|---------------|-------|--------|
| D285,908  | S  | * | 9/1986  | Maron         | ..... | D10/30 |
| D302,664  | S  | * | 8/1989  | Dawson, Jr.   | ..... | D10/38 |
| D326,419  | S  | * | 5/1992  | Bulgari       | ..... | D10/39 |
| D339,529  | S  | * | 9/1993  | Williamson    | ..... | D10/34 |
| D362,396  | S  | * | 9/1995  | Chester       | ..... | D10/32 |
| D373,957  | S  | * | 9/1996  | Mareschal     | ..... | D10/30 |
| D377,613  | S  | * | 1/1997  | Consolo       | ..... | D10/32 |
| D380,161  | S  | * | 6/1997  | Riley         | ..... | D10/30 |
| D416,814  | S  | * | 11/1999 | Welsh         | ..... | D10/31 |
| 6,826,120 | B1 | * | 11/2004 | Decker et al. | ..... | 368/10 |

|              |    |   |         |                  |       |            |
|--------------|----|---|---------|------------------|-------|------------|
| D505,086     | S  | * | 5/2005  | Fernandez        | ..... | D10/39     |
| D537,741     | S  | * | 3/2007  | Gruosi-Scheufele | ..... | D10/39     |
| 2006/0291334 | A1 | * | 12/2006 | Heck             | ..... | 368/47     |
| 2008/0084657 | A1 | * | 4/2008  | Baba et al.      | ..... | 361/679.01 |
| 2010/0302915 | A1 | * | 12/2010 | Grotell et al.   | ..... | 368/285    |

\* cited by examiner

*Primary Examiner* — Caron D. Veynar

*Assistant Examiner* — Martie K Holtje

(74) *Attorney, Agent, or Firm* — Lambert & Associates;  
Gary E. Lambert

(57) **CLAIM**

The ornamental design for a wrist watch case, as shown and described.

**DESCRIPTION**

FIG. 1 is a bottom right isometric view of a wrist watch case showing my new design;

FIG. 2 is an end elevational view thereof;

FIG. 3 is a side elevational view thereof;

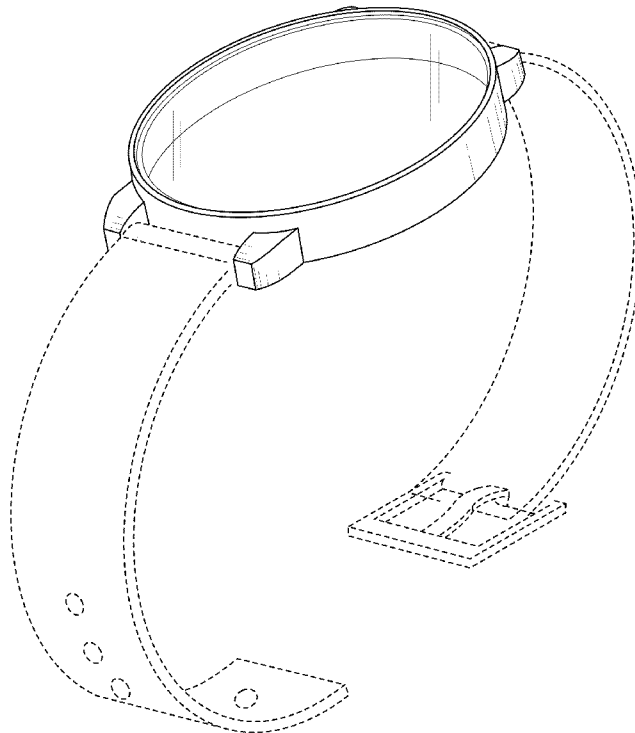
FIG. 4 is a front elevational view thereof;

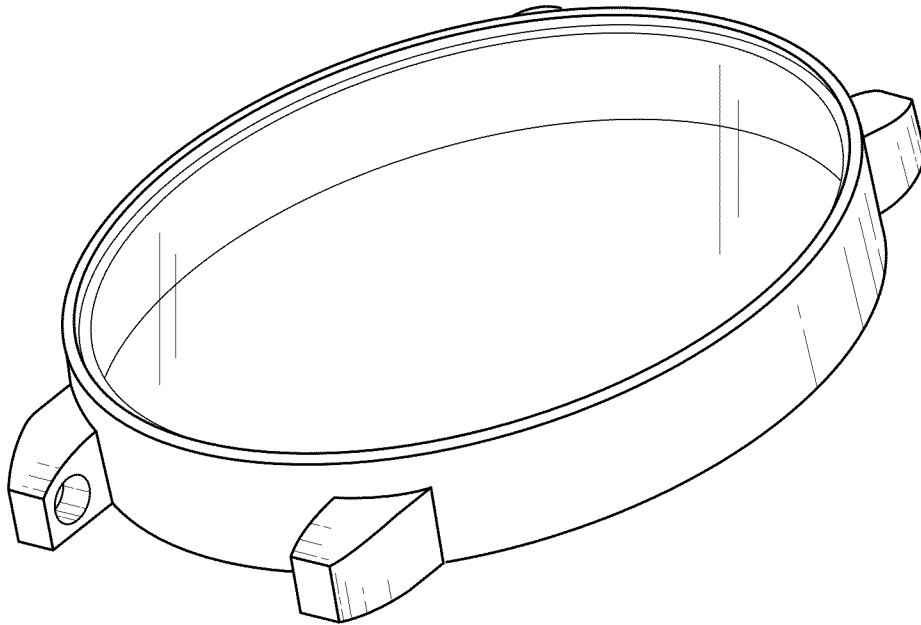
FIG. 5 is a rear elevational view thereof; and,

FIG. 6 is a second bottom right isometric view thereof, shown in use.

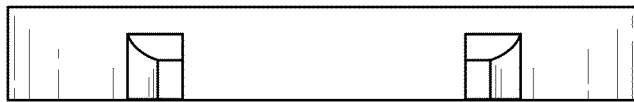
The watch strap depicted by broken lines in FIG. 6 has been shown for the purpose of illustrating an environmental feature that forms no part of the claimed design.

**1 Claim, 3 Drawing Sheets**





*Fig. 1*

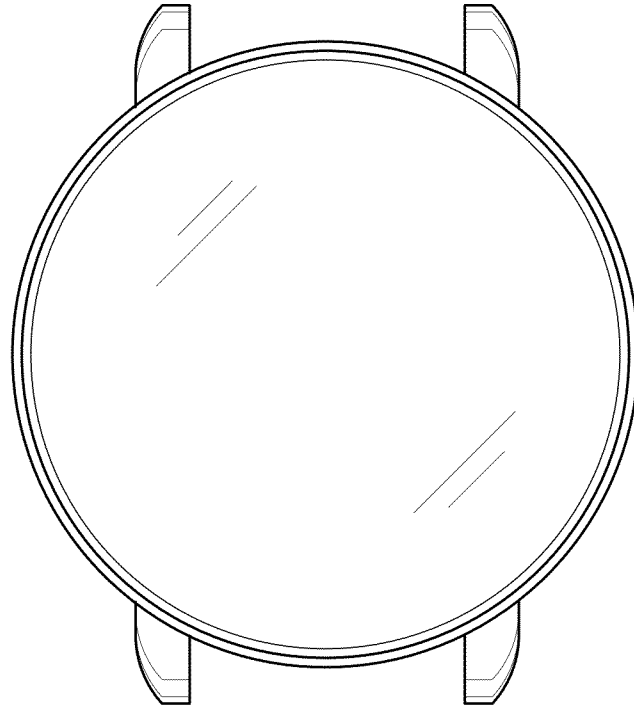


*Fig. 2*



*Fig. 3*

*Fig. 4*



*Fig. 5*

