

(19) World Intellectual Property Organization
International Bureau



(43) International Publication Date
23 December 2010 (23.12.2010)

(10) International Publication Number
WO 2010/146447 A3

- (51) **International Patent Classification:**
F16K 11/044 (2006.01) F16K 11/048 (2006.01)
F16K 31/06 (2006.01)
- (21) **International Application Number:**
PCT/IB2010/001455
- (22) **International Filing Date:**
16 June 2010 (16.06.2010)
- (25) **Filing Language:** English
- (26) **Publication Language:** English
- (30) **Priority Data:**
12/486,035 17 June 2009 (17.06.2009) US
- (71) **Applicant (for all designated States except US):** EATON CORPORATION [US/US]; Eaton Center, 1111 Superior Avenue, Cleveland, OH 44114 (US).
- (72) **Inventors; and**
- (75) **Inventors/Applicants (for US only):** BENEKER, Gerrit, VanVranken [US/US]; 699 Central, Lake Orion, MI 48362 (US). KELLER, Robert, Dean [US/US]; 4785 Ormond Road, Davisburg, MI 48350 (US).
- (81) **Designated States (unless otherwise indicated, for every kind of national protection available):** AE, AG, AL, AM, AO, AT, AU, AZ, BA, BB, BG, BH, BR, BW, BY, BZ, CA, CH, CL, CN, CO, CR, CU, CZ, DE, DK, DM, DO,

DZ, EC, EE, EG, ES, FI, GB, GD, GE, GH, GM, GT, HN, HR, HU, ID, IL, IN, IS, JP, KE, KG, KM, KN, KP, KR, KZ, LA, LC, LK, LR, LS, LT, LU, LY, MA, MD, ME, MG, MK, MN, MW, MX, MY, MZ, NA, NG, NI, NO, NZ, OM, PE, PG, PH, PL, PT, RO, RS, RU, SC, SD, SE, SG, SK, SL, SM, ST, SV, SY, TH, TJ, TM, TN, TR, TT, TZ, UA, UG, US, UZ, VC, VN, ZA, ZM, ZW.

(84) **Designated States (unless otherwise indicated, for every kind of regional protection available):** ARIPO (BW, GH, GM, KE, LR, LS, MW, MZ, NA, SD, SL, SZ, TZ, UG, ZM, ZW), Eurasian (AM, AZ, BY, KG, KZ, MD, RU, TJ, TM), European (AL, AT, BE, BG, CH, CY, CZ, DE, DK, EE, ES, FI, FR, GB, GR, HR, HU, IE, IS, IT, LT, LU, LV, MC, MK, MT, NL, NO, PL, PT, RO, SE, SI, SK, SM, TR), OAPI (BF, BJ, CF, CG, CI, CM, GA, GN, GQ, GW, ML, MR, NE, SN, TD, TG).

Published:

- with international search report (Art. 21(3))
- before the expiration of the time limit for amending the claims and to be republished in the event of receipt of amendments (Rule 48.2(h))

(88) **Date of publication of the international search report:**
24 February 2011

(54) **Title:** FLUID-BIASED HYDRAULIC CONTROL VALVE

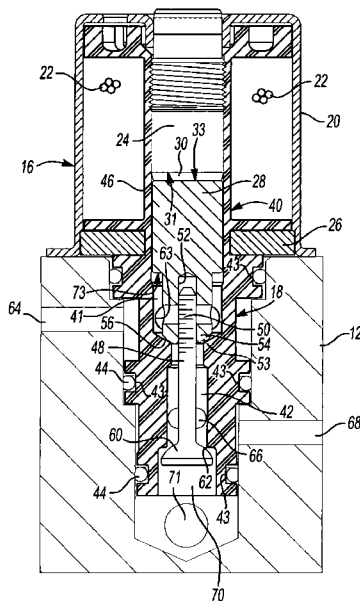


Fig-3

(57) **Abstract:** A hydraulic control valve (10) is provided having a solenoid body (18), an energizable coil (22), and an armature (28) positioned adjacent the coil. A valve stem (48) extends from the armature. The coil is energizable to move the armature and the valve stem from a first position to a second position. The valve body, the armature and the valve stem are configured so that the armature and the valve stem are biased to the first position by pressurized fluid, allowing the armature to operate without a biasing spring.



WO 2010/146447 A3

INTERNATIONAL SEARCH REPORT

International application No
PCT/IB2010/001455

A. CLASSIFICATION OF SUBJECT MATTER
INV. F16K11/044 F16K31/06 F16K11/048
ADD.

According to International Patent Classification (IPC) or to both national classification and IPC

B. FIELDS SEARCHED

Minimum documentation searched (classification system followed by classification symbols)
F16K F15B

Documentation searched other than minimum documentation to the extent that such documents are included in the fields searched

Electronic data base consulted during the international search (name of data base and, where practical, search terms used)

EPO-Internal, WPI Data, PAJ

C. DOCUMENTS CONSIDERED TO BE RELEVANT

Category*	Citation of document, with indication, where appropriate, of the relevant passages	Relevant to claim No.
X	DE 10 2005 034938 A1 (SCHAEFFLER KG [DE]) 1 February 2007 (2007-02-01) paragraph [0020] - paragraph [0027]; figures 1-3	1-18
A	DE 88 06 867 U1 (A. & K. MÜLLER GMBH & CO. KG) 21 July 1988 (1988-07-21) figure 1	1, 9, 15
A	EP 1 437 539 A1 (DELPHI TECH INC [US]) 14 July 2004 (2004-07-14) figures 1-4	1, 9, 15
A	DE 10 2007 036925 A1 (SCHAEFFLER KG [DE]) 5 February 2009 (2009-02-05) figures 1-3	1, 9, 15

Further documents are listed in the continuation of Box C.

See patent family annex.

* Special categories of cited documents :

- "A" document defining the general state of the art which is not considered to be of particular relevance
- "E" earlier document but published on or after the international filing date
- "L" document which may throw doubts on priority claim(s) or which is cited to establish the publication date of another citation or other special reason (as specified)
- "O" document referring to an oral disclosure, use, exhibition or other means
- "P" document published prior to the international filing date but later than the priority date claimed

- "T" later document published after the international filing date or priority date and not in conflict with the application but cited to understand the principle or theory underlying the invention
- "X" document of particular relevance; the claimed invention cannot be considered novel or cannot be considered to involve an inventive step when the document is taken alone
- "Y" document of particular relevance; the claimed invention cannot be considered to involve an inventive step when the document is combined with one or more other such documents, such combination being obvious to a person skilled in the art.
- "&" document member of the same patent family

Date of the actual completion of the international search

9 December 2010

Date of mailing of the international search report

17/12/2010

Name and mailing address of the ISA/

European Patent Office, P.B. 5818 Patentlaan 2
NL - 2280 HV Rijswijk
Tel. (+31-70) 340-2040,
Fax: (+31-70) 340-3016

Authorized officer

Heneghan, Martin

INTERNATIONAL SEARCH REPORT

Information on patent family members

International application No

PCT/IB2010/001455

Patent document cited in search report	Publication date	Patent family member(s)	Publication date
DE 102005034938 A1	01-02-2007	CN 101233355 A EP 1910723 A1 WO 2007025600 A1 KR 20080035563 A US 2008196777 A1	30-07-2008 16-04-2008 08-03-2007 23-04-2008 21-08-2008
DE 8806867	U1 21-07-1988	NONE	
EP 1437539	A1 14-07-2004	DE 60306091 T2 US 2004134547 A1	16-11-2006 15-07-2004
DE 102007036925 A1	05-02-2009	CN 101842625 A EP 2183511 A1 WO 2009019089 A1	22-09-2010 12-05-2010 12-02-2009