

(19) World Intellectual Property Organization  
International Bureau



(43) International Publication Date  
6 April 2006 (06.04.2006)

PCT

(10) International Publication Number  
WO 2006/037019 A3

- (51) International Patent Classification:  
H04B 1/66 (2006.01)
- (21) International Application Number:  
PCT/US2005/034762
- (22) International Filing Date:  
22 September 2005 (22.09.2005)
- (25) Filing Language: English
- (26) Publication Language: English
- (30) Priority Data:
 

60/612,651	22 September 2004 (22.09.2004)	US
60/612,652	22 September 2004 (22.09.2004)	US
10/955,240	29 September 2004 (29.09.2004)	US
60/618,558	12 October 2004 (12.10.2004)	US
60/618,938	13 October 2004 (13.10.2004)	US
60/654,058	16 February 2005 (16.02.2005)	US
11/232,725	21 September 2005 (21.09.2005)	US

C. [US/US]; 3331 Thomas Drive, Palo Alto, CA 94303 (US). KOLAROV, Krasimir, D. [US/US]; 2050 Avy Avenue, Menlo Park, CA 94025 (US). SAUNDERS, Steven, E. [US/US]; 6069 Shadygrove Drive, Cupertino, CA 95014 (US).

(74) Agents: LIMBACH, Douglas, C. et al.; Greenberg Traurig, LLP, 1900 University Avenue, Fifth Floor, East Palo Alto, CA 94303 (US).

(81) Designated States (unless otherwise indicated, for every kind of national protection available): AE, AG, AL, AM, AT, AU, AZ, BA, BB, BG, BR, BW, BY, BZ, CA, CH, CN, CO, CR, CU, CZ, DE, DK, DM, DZ, EC, EE, EG, ES, FI, GB, GD, GE, GH, GM, HR, HU, ID, IL, IN, IS, JP, KE, KG, KM, KP, KR, KZ, LC, LK, LR, LS, LT, LU, LV, LY, MA, MD, MG, MK, MN, MW, MX, MZ, NA, NG, NI, NO, NZ, OM, PG, PH, PL, PT, RO, RU, SC, SD, SE, SG, SK, SL, SM, SY, TJ, TM, TN, TR, TT, TZ, UA, UG, US, UZ, VC, VN, YU, ZA, ZM, ZW.

(71) Applicant (for all designated States except US): DROPLET TECHNOLOGY, INC. [US/US]; 1600 Adams Drive, Suite 216, Menlo Park, CA 94025 (US).

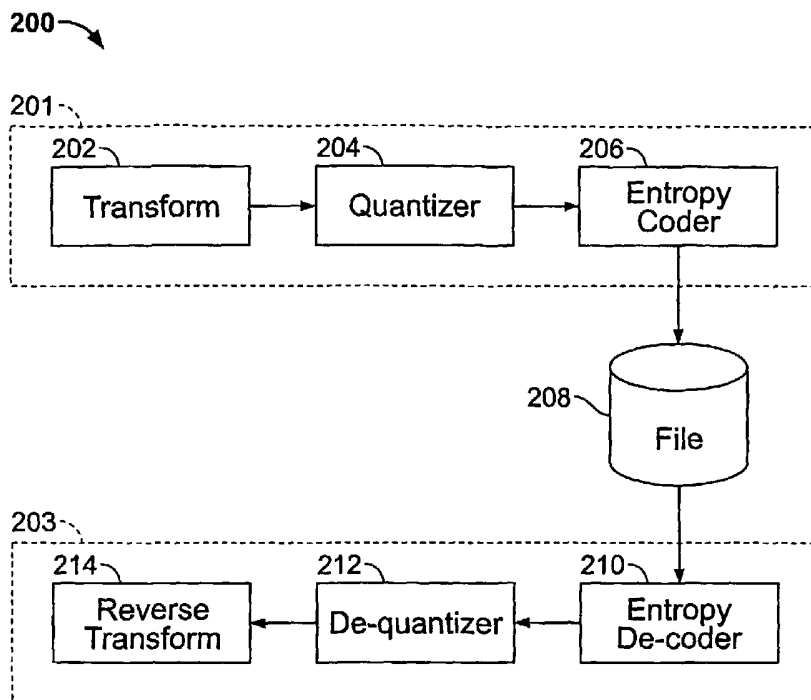
(84) Designated States (unless otherwise indicated, for every kind of regional protection available): ARIPO (BW, GH, GM, KE, LS, MW, MZ, NA, SD, SL, SZ, TZ, UG, ZM, ZW), Eurasian (AM, AZ, BY, KG, KZ, MD, RU, TJ, TM), European (AT, BE, BG, CH, CY, CZ, DE, DK, EE, ES, FI,

(72) Inventors; and

(75) Inventors/Applicants (for US only): LYNCH, William,

[Continued on next page]

(54) Title: PERMUTATION PROCRASTINATION



(57) Abstract: A system and method (Fig. 1) by which multiple run-of-zeros elimination (EOZE) data areas, or other compressed data (Fig. 2), can be restored to a single dense data array with simple address computation, even when the simple addressing puts the data into non-final, permuted locations. The data is rearranged into a subsequent computation step with no net cost to the algorithm.

WO 2006/037019 A3



FR, GB, GR, HU, IE, IS, IT, LT, LU, LV, MC, NL, PL, PT,  
RO, SE, SI, SK, TR), OAPI (BF, BJ, CF, CG, CI, CM, GA,  
GN, GQ, GW, ML, MR, NE, SN, TD, TG).

(88) Date of publication of the international search report:  
1 June 2006

**Declaration under Rule 4.17:**

— of inventorship (Rule 4.17(iv))

**Published:**

— with international search report

*For two-letter codes and other abbreviations, refer to the "Guidance Notes on Codes and Abbreviations" appearing at the beginning of each regular issue of the PCT Gazette.*

**INTERNATIONAL SEARCH REPORT**

International application No.

PCT/US05/34762

**A. CLASSIFICATION OF SUBJECT MATTER**

IPC(7) : H04B 1/66  
 US CL : 375/240.16; 240.17, 240.29

According to International Patent Classification (IPC) or to both national classification and IPC

**B. FIELDS SEARCHED**

Minimum documentation searched (classification system followed by classification symbols)  
 U.S. : 375/240.16; 240.17, 240.29

Documentation searched other than minimum documentation to the extent that such documents are included in the fields searched  
 IEEE

Electronic data base consulted during the international search (name of data base and, where practicable, search terms used)  
 EAST/WEST

**C. DOCUMENTS CONSIDERED TO BE RELEVANT**

Category *	Citation of document, with indication, where appropriate, of the relevant passages	Relevant to claim No.
1	US 5,638,464 A (KAWAMURA) 10 June 1997, col. 4, line 60-col 5, lines 9.	1

Further documents are listed in the continuation of Box C.

See patent family annex.

\* Special categories of cited documents:

"A" document defining the general state of the art which is not considered to be of particular relevance

"E" earlier application or patent published on or after the international filing date

"L" document which may throw doubts on priority claim(s) or which is cited to establish the publication date of another citation or other special reason (as specified)

"O" document referring to an oral disclosure, use, exhibition or other means

"P" document published prior to the international filing date but later than the priority date claimed

"T" later document published after the international filing date or priority date and not in conflict with the application but cited to understand the principle or theory underlying the invention

"X" document of particular relevance; the claimed invention cannot be considered novel or cannot be considered to involve an inventive step when the document is taken alone

"Y" document of particular relevance; the claimed invention cannot be considered to involve an inventive step when the document is combined with one or more other such documents, such combination being obvious to a person skilled in the art

"&" document member of the same patent family

Date of the actual completion of the international search

26 January 2006 (26.01.2006)

Date of mailing of the international search report

16 MAR 2006

Name and mailing address of the ISA/US

Mail Stop PCT, Attn: ISA/US  
 Commissioner of Patents  
 P.O. Box 1450  
 Alexandria, Virginia 22313-1450

Authorized officer

Tung Vo

Telephone No. 703-305-4750

Facsimile No. (571) 273-3201