



US00D687810S

(12) **United States Design Patent**
Son et al.

(10) **Patent No.:** **US D687,810 S**

(45) **Date of Patent:** **** Aug. 13, 2013**

(54) **SPEAKER**

(75) Inventors: **Chae-Joo Son**, Namyangju (KR);
Jun-Ho Yang, Seongnam (KR)

(73) Assignee: **Samsung Electronics Co., Ltd.**,
Suwon-Si (KR)

(**) Term: **14 Years**

(21) Appl. No.: **29/428,264**

(22) Filed: **Jul. 27, 2012**

(30) **Foreign Application Priority Data**

Feb. 3, 2012 (KR) 30-2012-0005135

(51) **LOC (9) Cl.** **14-03**

(52) **U.S. Cl.**

USPC **D14/210**

(58) **Field of Classification Search**

USPC D14/168, 172, 194-196, 204, 207,
D14/209.1, 210-216, 221, 222; 181/143,
181/144, 147, 148, 150, 153, 157, 198, 199;
381/300-303, 306, 332, 333, 336, 345,
361-364, 386-388

See application file for complete search history.

(56) **References Cited**

U.S. PATENT DOCUMENTS

D284,084 S	6/1986	Ferrara, Jr.	
D306,583 S	3/1990	Krolopp et al.	
D333,574 S	3/1993	Ackeret	
D337,569 S	7/1993	Kando	
5,286,928 A *	2/1994	Borland	181/153
D466,492 S *	12/2002	Matsuoka	D14/162
D471,893 S	3/2003	Jung	
D500,991 S	1/2005	Niitsu	
D504,889 S	5/2005	Andre et al.	
D505,131 S *	5/2005	Lee et al.	D14/215

D519,491 S *	4/2006	Allen	D14/212
D520,975 S	5/2006	Kim et al.	
D529,019 S	9/2006	Lim	
D532,791 S	11/2006	Kim	
D537,072 S	2/2007	Kim et al.	
D540,780 S	4/2007	Kim	
D545,300 S	6/2007	Hong et al.	
D548,222 S	8/2007	Kim	

(Continued)

FOREIGN PATENT DOCUMENTS

KR	3004583830000	8/2007
KR	3004602570000	8/2007

(Continued)

OTHER PUBLICATIONS

U.S. Appl. No. 29/393,984, Applicant: Lee, et al., filed Jun. 10, 2011
entitled Speaker.

(Continued)

Primary Examiner — Keli L Hill

(74) *Attorney, Agent, or Firm* — Wood, Herron & Evans,
LLP

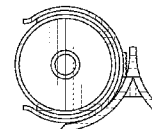
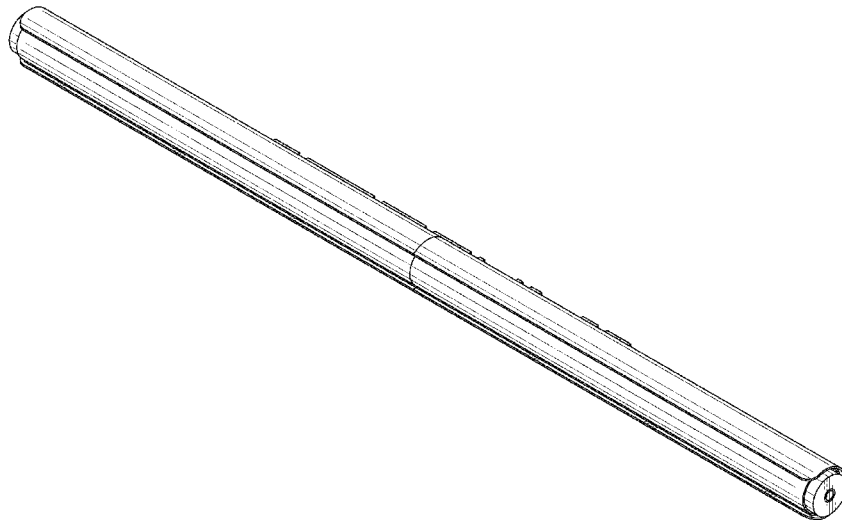
(57) **CLAIM**

The ornamental design for a speaker, as shown and described.

DESCRIPTION

FIG. 1 is a top front perspective view of a speaker showing our
new design;
FIG. 2 is a front elevational view thereof;
FIG. 3 is a rear elevational view thereof;
FIG. 4 is a left side elevational view thereof;
FIG. 5 is a right side elevational view thereof;
FIG. 6 is a top plan view thereof;
FIG. 7 is a bottom plan view thereof; and,
FIG. 8 is an enlarged detail view of the right side of the
speaker as shown in FIG. 5.

1 Claim, 3 Drawing Sheets



U.S. PATENT DOCUMENTS

D549,690 S * 8/2007 Kimura D14/211
 D551,655 S 9/2007 Kim
 D551,665 S 9/2007 Tom et al.
 D555,636 S * 11/2007 Chen et al. D14/216
 D560,209 S 1/2008 Kim et al.
 D560,211 S 1/2008 Kim et al.
 D560,686 S 1/2008 Kim
 D561,141 S 2/2008 Cho et al.
 D561,142 S 2/2008 Oh
 D561,161 S 2/2008 Cho
 D563,804 S 3/2008 Kimura et al.
 D567,203 S 4/2008 Park
 D570,333 S 6/2008 Cho
 D570,828 S 6/2008 Cho
 D570,847 S * 6/2008 Chern D14/434
 D571,785 S 6/2008 Kim
 D571,786 S 6/2008 Cho
 D573,584 S 7/2008 Kim
 D579,003 S 10/2008 Kim et al.
 D579,915 S 11/2008 Yeo
 D579,930 S 11/2008 Maskatia
 D583,801 S 12/2008 Son et al.
 D584,286 S 1/2009 Kim
 D584,288 S 1/2009 Kim
 D584,738 S 1/2009 Kim et al.
 D586,781 S 2/2009 Kim
 D586,782 S 2/2009 Kim
 D586,785 S 2/2009 Kim
 D587,237 S 2/2009 Son et al.
 D588,103 S 3/2009 Lee et al.
 D588,104 S 3/2009 Lee et al.
 D588,576 S 3/2009 Son et al.
 D590,374 S 4/2009 Madonna et al.
 D591,269 S 4/2009 Kim et al.
 D592,179 S 5/2009 Ichinose et al.
 D592,214 S 5/2009 Bradford
 D593,068 S 5/2009 Kim et al.
 D593,069 S 5/2009 Son et al.
 D598,899 S 8/2009 Tkachuk
 D602,014 S 10/2009 Andre et al.
 D602,487 S 10/2009 Maskatia
 D605,626 S 12/2009 Park
 D610,582 S 2/2010 Sugitani et al.
 D611,364 S 3/2010 Lenz et al.
 D613,310 S 4/2010 Kim
 D613,311 S 4/2010 Kim
 D613,510 S 4/2010 Tzeng et al.
 D613,951 S 4/2010 Tang et al.
 D615,963 S 5/2010 Cho et al.
 D617,305 S * 6/2010 Chen et al. D14/172
 D617,793 S 6/2010 Chiang et al.
 D622,270 S 8/2010 Andre et al.

D624,047 S 9/2010 Kim
 D624,048 S 9/2010 Kim
 D627,667 S 11/2010 Lenz et al.
 D628,556 S 12/2010 Lee et al.
 D628,913 S 12/2010 Cheng
 D629,388 S 12/2010 Son et al.
 D629,799 S 12/2010 Andre et al.
 D631,868 S 2/2011 Chung
 D633,076 S 2/2011 Kim et al.
 D634,302 S 3/2011 Chung et al.
 D640,255 S 6/2011 Lee et al.
 D657,774 S 4/2012 Chung et al.
 D660,285 S 5/2012 Lee et al.
 D660,286 S 5/2012 Lee et al.
 D671,525 S 11/2012 Chung
 2003/0923129 9/2009 Hsieh et al.

FOREIGN PATENT DOCUMENTS

KR 3004608520000 8/2007
 KR 3004659690000 10/2007
 KR 3005005060000 7/2008
 KR 3005992810000 5/2011
 KR 3006052260000 7/2011
 KR 3006060320000 7/2011
 KR 3006063520000 7/2011
 KR 3006067150000 7/2011
 KR 3006067180000 7/2011
 KR 3006067290000 7/2011
 KR 3006067430000 7/2011
 KR 3006067570000 7/2011
 KR 3006076710000 8/2011

OTHER PUBLICATIONS

U.S. Appl. No. 29/393,985, Applicant: Lee, et al., filed Jun. 10, 2011 entitled Speaker.
 U.S. Appl. No. 29/430,828, Applicant: Lee, Gwon-Gak, filed Sep. 30, 2012 entitled Speaker.
 U.S. Appl. No. 29/419,031, Applicant: Shim et al., filed Apr. 24, 2012 entitled Speaker.
 U.S. Appl. No. 29/419,036, Applicant: Lee et al., filed Apr. 24, 2012 entitled Speaker.
 U.S. Appl. No. 29/430,812, Applicant: Lee, Gil-Jae., filed Aug. 30, 2012 entitled Speaker.
 U.S. Appl. No. 29/431,755, Applicant: Lee, Gil-Jae, filed Sep. 11, 2012 entitled Speaker.
 U.S. Appl. No. 29/431,753, Applicant: Lee et al., filed Sep. 11, 2012 entitled Speaker.
 U.S. Appl. No. 29/430,822, Applicant: Lee, Gwon-Gak, filed Sep. 30, 2012 entitled Speaker.

* cited by examiner

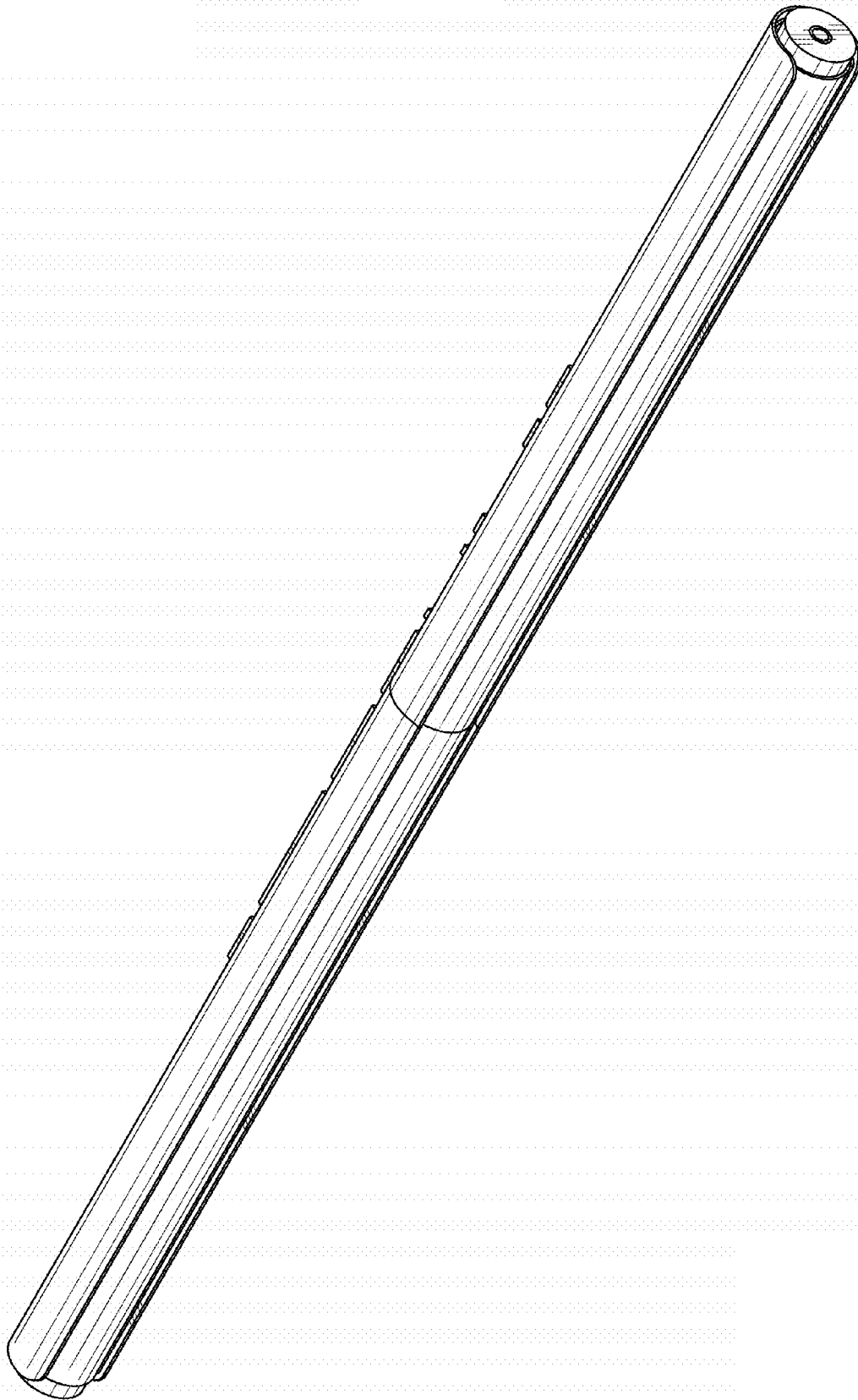


FIG.1



FIG. 2

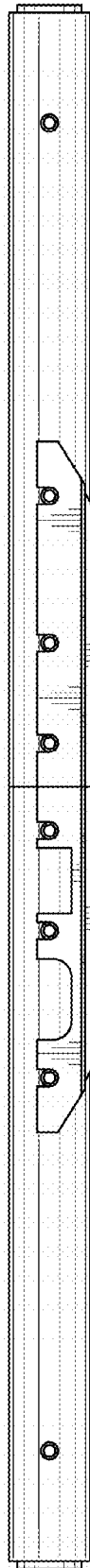


FIG. 3

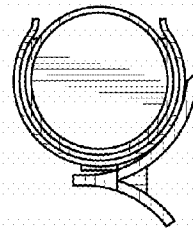


FIG. 4

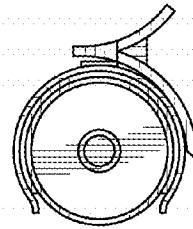


FIG. 5

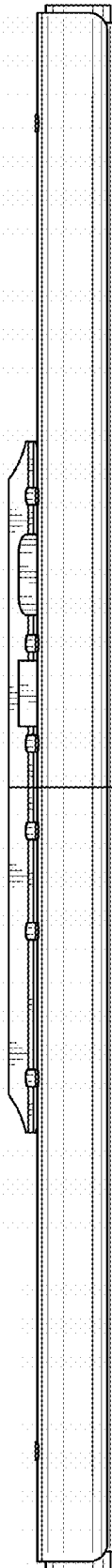


FIG. 6



FIG. 7

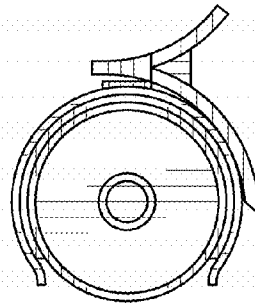


FIG. 8