

(19) World Intellectual Property Organization
International Bureau



(43) International Publication Date
15 May 2008 (15.05.2008)

PCT

(10) International Publication Number
WO 2008/057016 A1

(51) International Patent Classification:
H04B 7/005 (2006.01)

(21) International Application Number:
PCT/SE2006/050453

(22) International Filing Date:
6 November 2006 (06.11.2006)

(25) Filing Language: English

(26) Publication Language: English

(71) Applicant (for all designated States except US): TELEFONAKTIEBOLAGET LM ERICSSON (publ) [SE/SE]; S-164 83 Stockholm (SE).

(72) Inventors; and

(75) Inventors/Applicants (for US only): WANG HELMERSSON, Ke [SE/SE]; Spångerumsgatan 33, S-587 25 Linköping (SE). ENGLUND, Eva [SE/SE]; Alholmsvägen 4, S-589 37 Linköping (SE). KARLSSON, Patrik [SE/SE]; Hasselnötsvägen 59, 1tr, S-138 34 Älta (SE).

(74) Agent: NILSSON, Charlotte; Ericsson AB, Patent Unit 3G, S-164 80 Stockholm (SE).

(81) Designated States (unless otherwise indicated, for every kind of national protection available): AE, AG, AL, AM, AT, AU, AZ, BA, BB, BG, BR, BW, BY, BZ, CA, CH, CN, CO, CR, CU, CZ, DE, DK, DM, DZ, EC, EE, EG, ES, FI, GB, GD, GE, GH, GM, GT, HN, HR, HU, ID, IL, IN, IS, JP, KE, KG, KM, KN, KP, KR, KZ, LA, LC, LK, LR, LS, LT, LU, LV, LY, MA, MD, MG, MK, MN, MW, MX, MY, MZ, NA, NG, NI, NO, NZ, OM, PG, PH, PL, PT, RO, RS, RU, SC, SD, SE, SG, SK, SL, SM, SV, SY, TJ, TM, TN, TR, TT, TZ, UA, UG, US, UZ, VC, VN, ZA, ZM, ZW.

(84) Designated States (unless otherwise indicated, for every kind of regional protection available): ARIPO (BW, GH, GM, KE, LS, MW, MZ, NA, SD, SL, SZ, TZ, UG, ZM, ZW), Eurasian (AM, AZ, BY, KG, KZ, MD, RU, TJ, TM), European (AT, BE, BG, CH, CY, CZ, DE, DK, EE, ES, FI, FR, GB, GR, HU, IE, IS, IT, LT, LU, LV, MC, NL, PL, PT, RO, SE, SI, SK, TR), OAPI (BF, BJ, CF, CG, CI, CM, GA, GN, GQ, GW, ML, MR, NE, SN, TD, TG).

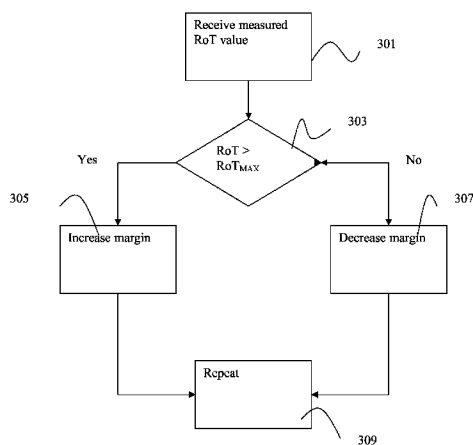
Declarations under Rule 4.17:

- as to applicant's entitlement to apply for and be granted a patent (Rule 4.17(ii))
- of inventorship (Rule 4.17(iv))

Published:

- with international search report

(54) Title: A METHOD OF CONTROLLING POWER IN A WCDMA SYSTEM



(57) Abstract: A method and a device relating to a scheduling mechanism in a base station in a WCDMA system are disclosed. The mechanism enables the base station to rapidly adapt to users momentary traffic demands and to interference variations, a dynamical adjustable margin is proposed in this invention. The adjustment is based on the RoT measurement in a cell. To fully use the resource in a cell, the RoT can be targeted to be as closer to the RoT_{max} as possible however without exceed the limit. The scheduler is preferably set to schedule as high a rate or as many users as possible to fill up the available RoT. The margin which is reserved for the neighboring cell load and external interference is decreased step by step as long as the RoT measurement is below a threshold under RoT_{max} . Whenever the RoT measurement exceeds the threshold, the margin is increased by one step.

WO 2008/057016 A1

A METHOD OF CONTROLLING POWER IN A WCDMA SYSTEM

5

TECHNICAL FIELD

The present invention relates to a method and a device for controlling power in a radio network system, in particular a WCDMA system.

10

BACKGROUND

Wireless communication networks are currently in widespread use to allow mobile station users to wirelessly communicate with each other and other network entities. In one type of network, multiple stations in a particular geographic region may simultaneously
15 communicate with a hub or base station using the same frequency band. This type of network is referred to as a self-interfering network. A code division multiple access (CDMA) network and a wideband code division multiple access (WCDMA) are both examples of self-interfering networks. Thus, the total signal power received by the base station in that frequency band may represent simultaneous transmissions from a number of
20 the stations in the region.

For optimal network performance, especially in self-interfering networks, the transmission power of the mobile stations is carefully controlled. It can be seen that a change in transmit power by one station may affect the operation of other mobile stations, for example,
25 requiring them to likewise change their power. In some cases, a network limit may be exceeded if a large number of mobile stations respond to one another by respectively increasing their power. This may cause the network to become unstable. To avoid this from happening, the network load may be balanced, for example, by controlling the transmission power of each mobile station to minimize its impact on other mobile stations and to
30 accommodate for noise power in the network. The noise power is based on environmental factors, such as temperature, which change throughout the day. Thus, any technique that attempts to adjust the network load needs to account for changing noise power in the network.

One technique that is used to measure network characteristic referred to as the rise-over-thermal (RoT). The RoT is a ratio between the total power in the reverse link (P_r) and the thermal noise power (N) that is received at a receiver (i.e., base station). Thus, the rise over thermal (RoT) indicates the ratio between the total power received from wireless sources at a base station and the thermal noise.

In a WCDMA system, the shared resource in the uplink is the uplink interference. With the introduction of the enhanced uplink in WCDMA, the possibility of quickly managing the cell load is introduced by means of a fast scheduling mechanism in the base station usually termed Node B. The principle of the fast scheduling is to allow the Node B to adjust the maximum data rate a terminal is allowed to transmit with, and to reallocate the resource among users. This enables the Node B to rapidly adapt to users momentary traffic demand and interference variations. Hence, the system can be operated close to the maximum load and both user data rates and uplink capacity can be improved.

To be able to profit from the enhanced uplink scheduling function the scheduler must be provided with suitable and accurate estimates on the scheduling headroom for E-DCH. Besides the maximum load limit, the coverage limit, RoT_{max} and stability limit, $L_{max S}$, the maximum scheduling headroom is depended on the cell load in the surrounding cells.

The load generated by the neighboring cells and external interference cannot be measured directly from the cell. To avoid over-scheduling of the resources, a margin is needed to account for the neighboring cell interference and external interference.

In a traditional WCDMA radio network where only speech and low data rate traffic are considered, the and where the load from surrounding cells is rather stable, a fixed margin has been used. However, with the introduction of the enhanced uplink in WCDMA, the interference variation becomes much larger. It is difficult to set a fixed margin when the load variation in the neighboring cells can be very large in a rather short time period. If a margin is set to be large enough to handle a worst-case scenario, the maximum scheduling headroom is small; and the scheduler in one cell cannot take advantage of moments when

the neighboring cells are not fully loaded. However, the margin cannot be set smaller than the worst case scenario, since over-scheduling of the resources can result in power rushes and instability.

- 5 Hence, there is a problem of providing a mechanism for an improved way of operating WCDMA networks and to optimize network performance such that the scheduler can take advantage of moments when neighboring cells are not fully loaded.

SUMMARY

- 10 It is an object of the present invention to overcome or at least reduce some of the problems associated with having a fixed margin for the maximum scheduling headroom.

It is another object of the present invention to provide a method and device, particularly for use in a WCDMA system that frees up scheduling capacity within the network.

15

It is yet another object of the present invention to provide a method and device, particularly for use in a WCDMA system that enables optimized real-time scheduling capacity within the network.

- 20 These objects and other are obtain by providing a scheduling mechanism in the base station (Node B), which enables Node B to rapidly adapt to users momentary traffic demands and to interference variations, a dynamical adjustable margin is proposed in this invention. The adjustment is based on the RoT measurement in a cell. To fully use the resource in a cell, the RoT can be targeted to be as closer to the RoT_{\max} as possible however without exceed the
- 25 limit. The enhanced uplink EUL scheduler is preferably set to schedule as high a rate or as many users as possible to fill up the available RoT. The margin which is reserved for the neighboring cell load and external interference, L_{others} , is decreased step by step as long as the RoT measurement is below a threshold under RoT_{\max} . Whenever the RoT measurement exceeds the threshold, the margin is increased by one step, in particular a step being
- 30 significantly larger than the decreasing steps.

BRIEF DESCRIPTION OF THE DRAWINGS

The present invention will now be described in more detail by way of non-limiting examples and with reference to the accompanying drawings, in which:

5

- Fig. 1 is a general view of a WCDMA network.
- Fig. 2 is a view of a load estimator, and
- Fig. 3 is a flowchart illustrating different steps performed by a load estimator when determining maximum E- DCH load

10

DETAILED DESCRIPTION

In Fig.1, a general view of a WCDMA system 100 is depicted. The system 100 comprises a base station (Node B) 101. The base station 101 serves a number of mobile terminals, usually termed User Equipment (UE) 103, located within the area covered by the base station 101. The base station 101 is also connected to a radio network controller node (RNC) 105. The RNC 105 typically also includes a Radio link controller node (RLC) 107. The RLC 107 is among other things responsible for detecting errors. The system 100 also comprises a load estimator and scheduler unit 109, which is co-located with or an integral part of the base station 101.

20

To support the fast scheduling, the rise over thermal, RoT, and C/I measurements are used to provide an estimation of uplink cell load. The RoT is calculated as the total received uplink power, RTWP, of the cell divided by the thermal noise floor power. The RTWP is the sum of WCDMA radio link power of the own cell and neighbor cells, external non-WCDMA interference and thermal noise power.

25

In Fig. 2, an overview of the load estimator 201 and interface to the scheduler 203 is depicted. The task of the load estimator is to provide the scheduler with the maximum allowed E-DCH load and the scheduling headroom.

30

The total cell load consists of the load caused by the E-DCH users, L_{EDCH} , and non-E-DCH users, $L_{nonEDCH}$, in the own cell, as well as other loads such as the load contributions from the surrounding cells and the external interference, L_{others} .

- 5 The enhanced uplink scheduler can only control the E-DCH data traffic. In principle, when the total cell load is low, or the RoT is low, more users or higher data rate can be scheduled on the E-DCH; when the total cell load is high, less or lower data rate can be scheduled on the E-DCH. To determine the scheduling grants, R_{max} , the scheduler needs to know the maximum allowed E-DCH load, $L_{max\ EDCH}$, i.e. the maximum scheduling headroom. The task of the load estimator is to provide the scheduler with an estimation on the cell load that is not controlled by the scheduler, L_{nonSCH} , and load contributions from surrounding cells. The maximum scheduling headroom can then be calculated by:

$$L_{max\ EDCH} = L_{max} - L_{others} - L_{nonSCH}.$$

15

where L_{max} is the maximum load limit in a cell. The maximum load limit in a cell is depended on whether a cell is coverage limited or capacity limited. Since the shared resource in the uplink is the uplink interference, the coverage is lost when the received interference, or equivalently the RoT, exceeds a certain coverage limit, denoted by RoT_{max} .

- 20 The coverage limit depend cell size and thermal noise level. The variations in actual cell size due to changing thermal noise level are much slower than the variations in inter-cell interference of interest here. The maximum load limit in the coverage limited case can be calculated by:

$$25 \quad L_{max\ RoT} = 1 - \frac{1}{RoT_{max}}.$$

In other situations, for example in small cells, the limitations due to coverage may be quite relaxed and there is a need to limit the load to guarantee power control stability. To guarantee stable operation and avoid power rushes when the cell load is close to the pole

capacity, the overall load generated by the WCDMA radio links must be limited by a stability limit, $L_{\max S}$.

By monitoring the RoT measurement and adaptively modify the margin reserved for the neighboring cell load and external interference the scheduling headroom for the E-DCH channel can be optimized. To be able to use the available headroom efficiently, the margin is in accordance with one preferred embodiment adaptively updated by a step Δ ,

$$L_{others,new} = L_{others} \pm \Delta .$$

10

Also, in accordance with another preferred embodiment L_{others} is decreased when the RoT is low than a threshold below RoT_{\max} and increased when the RoT is above the threshold.

In Fig. 3, the basic steps performed by the load estimator and scheduler are illustrated. Thus, first in a step 301 the current raise over thermal (RoT) is measured. Next, in a step 303, the measured RoT value is compared to the allowed maximum RoT value. If the current RoT value exceeds the allowed maximum RoT value the reservation margin reserved for neighboring cell load and external interference is increased in a step 305, and else if the current RoT value does not exceed the allowed maximum RoT value the reservation margin reserved for neighboring cell load and external interference is decreased in a step 307. The procedure is the continuously repeated as indicated by step 309.

In accordance with another aspect of the system and method as described herein the load estimation unit and scheduler also considers the delays in the RoT measurements and signaling of scheduling grants. Due to the delays in RoT measurement and signaling, the effect of changing in the margin is unknown to the load estimator until the measurement is available.

Hence, updating the margin too quickly can result in over-compensation and cause a large oscillation. To prevent such an undesired event to occur, a masking functionality is preferably employed to keep the margin from the increasing or decreasing too quickly. The

masking function can for example set a masking time period, which is depended on the delays, so that the same margin is kept during the masking time period.

Since the RoT measurement only reflects prior overall cell load in, the dynamically adjusted margin serves as a reservation for the unknown situation in the surrounding cells. Thus, the step increase or decrease in margin, which in turn causes the scheduling headroom increase or decrease, is based on the old measurement. Due to this fact, the longer the delay in the measurement, the more cautious, hence the smaller step should be used in the updating of margin.

In accordance with one preferred embodiment, the step size when updating the margin is depended on the measurement delay; if the delay is larger, the step is set smaller. With a smaller step adjustment in the margin, the scheduling headroom provided by the load estimator is also less sensitive to the measurement errors and uncertainty in the load estimation.

Furthermore, since a step decrease or increase in the margin will result in a step increase or decrease in the scheduling headroom for the E-DCH, it is preferred to check that the resources are properly used. That is, to ensure that the step decrease or step increase is necessary, the updating in the margin is preferably set to check the utilization of the resources, so that the margin is decreased only if there are users in the cell that can utilize the available resource freed up by the decrease in margin.

Using the method and system as described herein provides a radio network where the margin reserved to account the interference or load caused by users in the neighboring cells is dynamically adjusted based on the RoT measurement. This in turn enables the base station, Node B, to dynamically adjust the scheduling headroom so that the uplink resource can be utilized in an efficient manner. The system as described is able to operate close to the maximum load thereby enabling both user data rates and uplink capacity to be improved.

CLAIMS

1. A method of adjusting the uplink scheduling headroom in a radio system network comprising the steps of:
 - 5 - measuring the current raise over thermal (RoT)
 - setting the current required reservation margin reserved for neighboring cell load and external interference in response to the measured RoT value, and
 - adjusting the uplink scheduling headroom in accordance with the reservation margin.
- 10 2. A method according to claim 1, wherein the reservation margin is increased when the current RoT value exceeds the allowed maximum RoT value.
3. A method according to claim 1 or 2, wherein the reservation margin is decreased when the current RoT value does not exceed the allowed maximum RoT value.
- 15 4. A method according to any of claims 1 – 3, wherein a masking time period is employed to account for signaling delays in the system.
5. A method according to any of claims 1 – 4, wherein the step size for increasing and/or
20 decreasing the reservation margin is dependent on the delay in the measurement.
6. A method according to any of claims 1 – 5, wherein a check is performed so that the reservation margin is decreased only when there is a need for more available resources.
- 25 7. A device for adjusting the uplink scheduling headroom in a radio system network comprising:
 - a measuring module for providing a value for the current raise over thermal (RoT)
 - a load estimation module for calculating the current required reservation margin reserved for neighboring cell load and external interference in response to the measured RoT value,
30 and
 - a scheduler module for adjusting the uplink scheduling headroom in accordance with the reservation margin.

8. A device according to claim 7, wherein the load estimation module is adapted to increase the reservation margin when the current RoT value exceeds the allowed maximum RoT value.

5

9. A device according to claim 7 or 8, wherein the load estimation module is adapted to decrease the reservation margin when the current RoT value does not exceed the allowed maximum RoT value.

10 10. A device according to any of claims 7 – 9, further comprising a time masking unit setting a masking time period to account for signaling delays in the system.

11. A device according to any of claims 7 – 10, wherein the load estimation module is adapted to set the step size for increasing and/or decreasing the reservation margin in
15 response to the delay in the measurement.

12. A device according to any of claims 7 – 11, further comprising a check unit for determining if there is a need for more available resources.

20 13. A base station in a WCDMA system comprising a device according to any of claims 7 - 12.

1/2

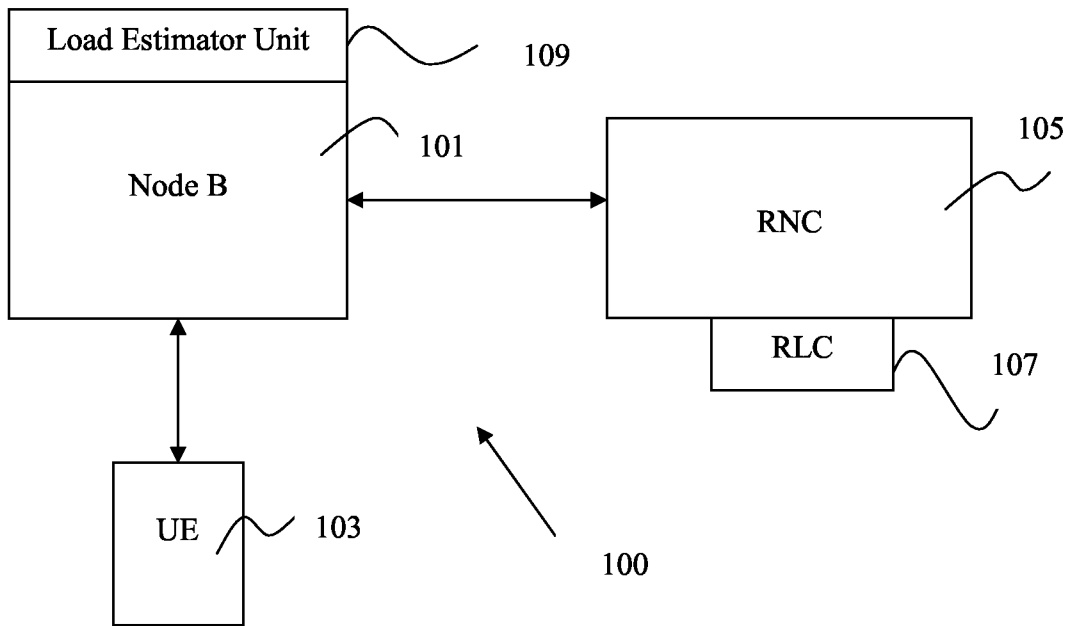


Fig. 1

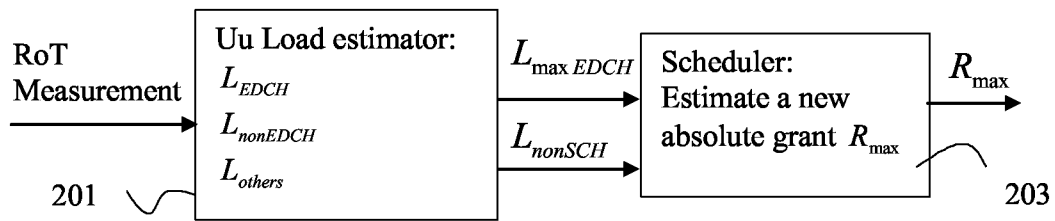


Fig. 2

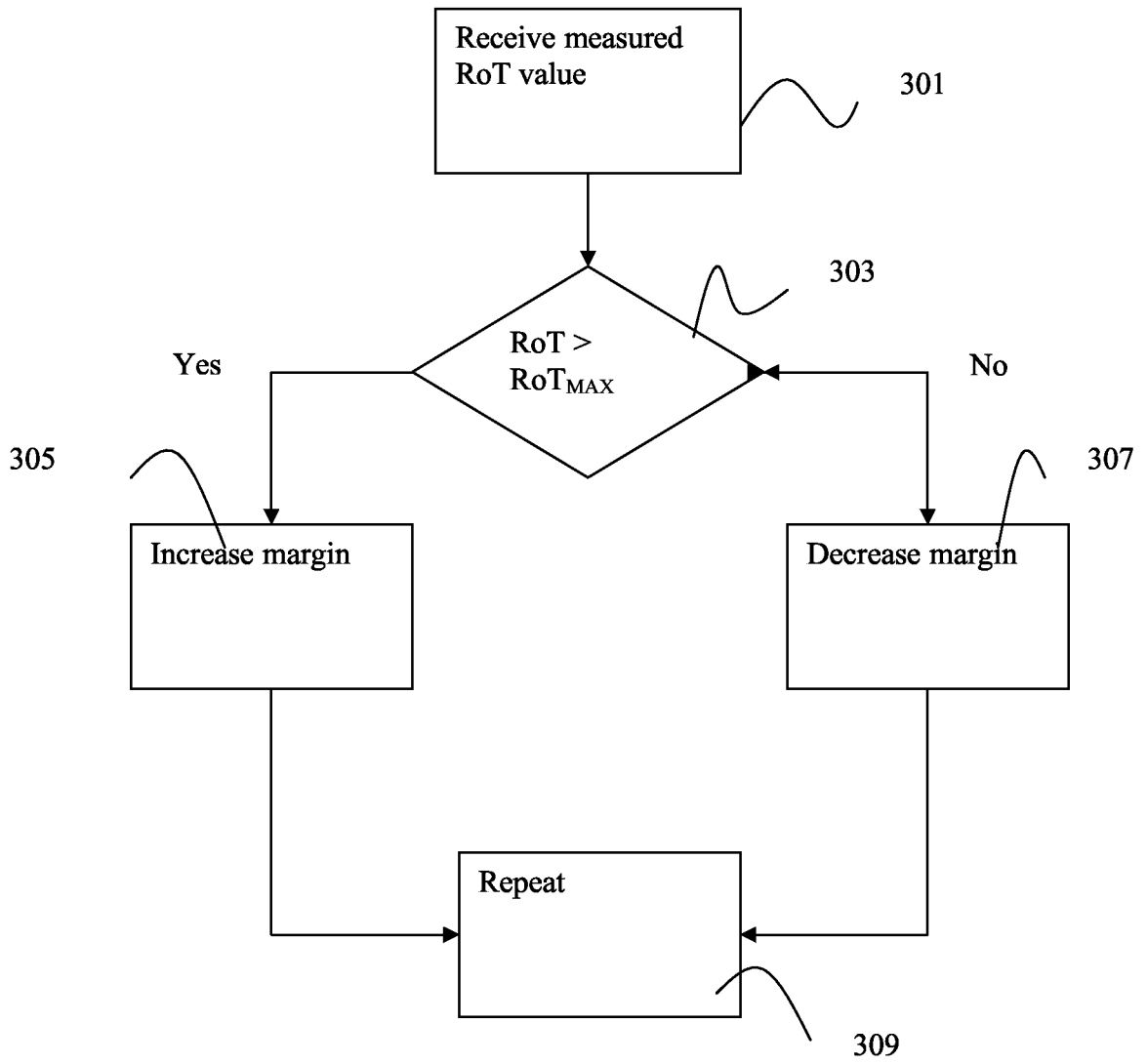


Fig. 3

INTERNATIONAL SEARCH REPORT

International application No.

PCT/SE2006/050453

A. CLASSIFICATION OF SUBJECT MATTER

IPC: see extra sheet

According to International Patent Classification (IPC) or to both national classification and IPC

B. FIELDS SEARCHED

Minimum documentation searched (classification system followed by classification symbols)

IPC: H04Q, H04L, H04B

Documentation searched other than minimum documentation to the extent that such documents are included in the fields searched

SE,DK,FI,NO classes as above

Electronic data base consulted during the international search (name of data base and, where practicable, search terms used)

EPO-INTERNAL, WPI DATA, PAJ, INSPEC, COMPENDEX

C. DOCUMENTS CONSIDERED TO BE RELEVANT

Category*	Citation of document, with indication, where appropriate, of the relevant passages	Relevant to claim No.
X	US 20060215608 A1 (LEE, J A ET AL), 28 Sept 2006 (28.09.2006), equations 5 and 8, paragraphs 0024-0029	1,4,6-7,10, 12-13
A	--	2-3,5,8-9,11
A	US 20040141473 A1 (BUOT, T), 22 July 2004 (22.07.2004), paragraph 0005	1-13
A	US 20040219920 A1 (LOVE, R T ET AL), 4 November 2004 (04.11.2004), paragraph 0085	1-13
	-- -----	

 Further documents are listed in the continuation of Box C. See patent family annex.

* Special categories of cited documents:

"A" document defining the general state of the art which is not considered to be of particular relevance

"E" earlier application or patent but published on or after the international filing date

"L" document which may throw doubts on priority claim(s) or which is cited to establish the publication date of another citation or other special reason (as specified)

"O" document referring to an oral disclosure, use, exhibition or other means

"P" document published prior to the international filing date but later than the priority date claimed

"T" later document published after the international filing date or priority date and not in conflict with the application but cited to understand the principle or theory underlying the invention

"X" document of particular relevance: the claimed invention cannot be considered novel or cannot be considered to involve an inventive step when the document is taken alone

"Y" document of particular relevance: the claimed invention cannot be considered to involve an inventive step when the document is combined with one or more other such documents, such combination being obvious to a person skilled in the art

"&" document member of the same patent family

Date of the actual completion of the international search

22 August 2007

Date of mailing of the international search report

23 -08- 2007

Name and mailing address of the ISA/

Swedish Patent Office

Box 5055, S-102 42 STOCKHOLM

Facsimile No. +46 8 666 02 86

Authorized officer

Hannes Nordmark /LR

Telephone No. +46 8 782 25 00

INTERNATIONAL SEARCH REPORT

International application No.
PCT/SE2006/050453

International patent classification (IPC)
H04B 7/005 (2006.01)

Download your patent documents at www.prv.se

The cited patent documents can be downloaded at www.prv.se by following the links:

- In English/Searches and advisory services/Cited documents (service in English) or
- e-tjänster/anförda dokument(service in Swedish).

Use the application number as username.

The password is **NKBOFSURIK**.

Paper copies can be ordered at a cost of 50 SEK per copy from PRV InterPat (telephone number 08-782 28 85).

Cited literature, if any, will be enclosed in paper form.

INTERNATIONAL SEARCH REPORT
Information on patent family members

31/07/2007

International application No.

PCT/SE2006/050453

US	20060215608	A1	28/09/2006	NONE		

US	20040141473	A1	22/07/2004	AU	2002340984 A	07/06/2004
				US	7047018 B	16/05/2006
				WO	2004043102 A	21/05/2004

US	20040219920	A1	04/11/2004	BR	PI0409974 A	09/05/2006
				EP	1618754 A	25/01/2006
				JP	2006525757 T	09/11/2006
				KR	20060015551 A	17/02/2006
				MX	PA05011636 A	15/12/2005
				WO	2004100569 A	18/11/2004
