



US00D985153S

(12) **United States Design Patent**
Wang

(10) **Patent No.:** **US D985,153 S**
(45) **Date of Patent:** **** May 2, 2023**

(54) **DECORATION LIGHT**

(71) Applicant: **Yan Wang**, Yingshan (CN)

(72) Inventor: **Yan Wang**, Yingshan (CN)

(**) Term: **15 Years**

(21) Appl. No.: **29/770,167**

(22) Filed: **Feb. 10, 2021**

(51) **LOC (14) Cl.** **26-04**

(52) **U.S. Cl.**

USPC **D26/25**

(58) **Field of Classification Search**

USPC D26/1, 2, 4, 24, 25, 27, 57, 61, 67, 73,
D26/94, 98, 103, 110, 119, 128;
D11/117, 121, 130

CPC F21S 4/00; F21S 4/10; F21S 4/15; F21S
4/20; F21S 4/22; F21S 4/24; F21S 4/26;
F21W 2121/00; F21W 2121/04; F21W
2131/109

See application file for complete search history.

(56) **References Cited**

U.S. PATENT DOCUMENTS

756,194	A	*	3/1904	Zalinski	F21V 5/00 362/333
D262,406	S	*	12/1981	Zabransky	D26/2
D278,462	S	*	4/1985	Bedel	D26/3
D286,915	S	*	11/1986	Bedel	D26/3
D595,893	S	*	7/2009	Maxik	D26/113
D669,610	S	*	10/2012	Yamamoto	D26/2
D729,429	S	*	5/2015	Arndt	D26/85
D790,121	S	*	6/2017	Sonneman	D26/128
D832,491	S	*	10/2018	Murphy	D26/118
D880,018	S	*	3/2020	Pan	D26/2
D915,644	S	*	4/2021	Lin	D26/25

OTHER PUBLICATIONS

“Baxstel” reference by Baxstel-Directon Amazon.com, date first available Dec. 20, 2020 [online], site visited Jul. 8, 2022, available from internet URL: <https://www.amazon.com/Baxstel-Outdoor-Dimmable-Vintage-Shatterproof/dp/B08R2DQH1D> (Year: 2020).*

* cited by examiner

Primary Examiner — Marissa J Cash

Assistant Examiner — Liv C Anderson

(74) *Attorney, Agent, or Firm* — Rumit Ranjit Kanakia

(57) **CLAIM**

The ornamental design for a decoration light, as shown and described.

DESCRIPTION

FIG. 1 is a top, front perspective view of a decoration light showing my new design;

FIG. 2 is a bottom, front perspective view thereof;

FIG. 3 is a front elevational view thereof;

FIG. 4 is a rear elevational view thereof;

FIG. 5 is a left side view thereof;

FIG. 6 is a right side view thereof;

FIG. 7 is a top plan view thereof;

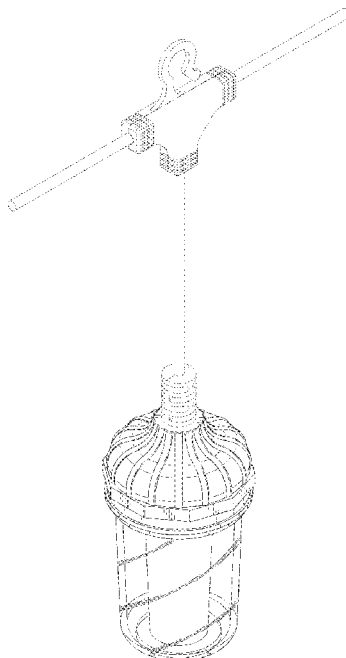
FIG. 8 is a bottom plan view thereof; and,

FIG. 9 is a perspective view, shown in an environment of use.

The broken lines illustrate portions of the decoration light and form no part of the claimed design.

The additional broken lines shown in FIG. 9 are directed to environment and are for illustrative purposes only and form no part thereof.

1 Claim, 9 Drawing Sheets



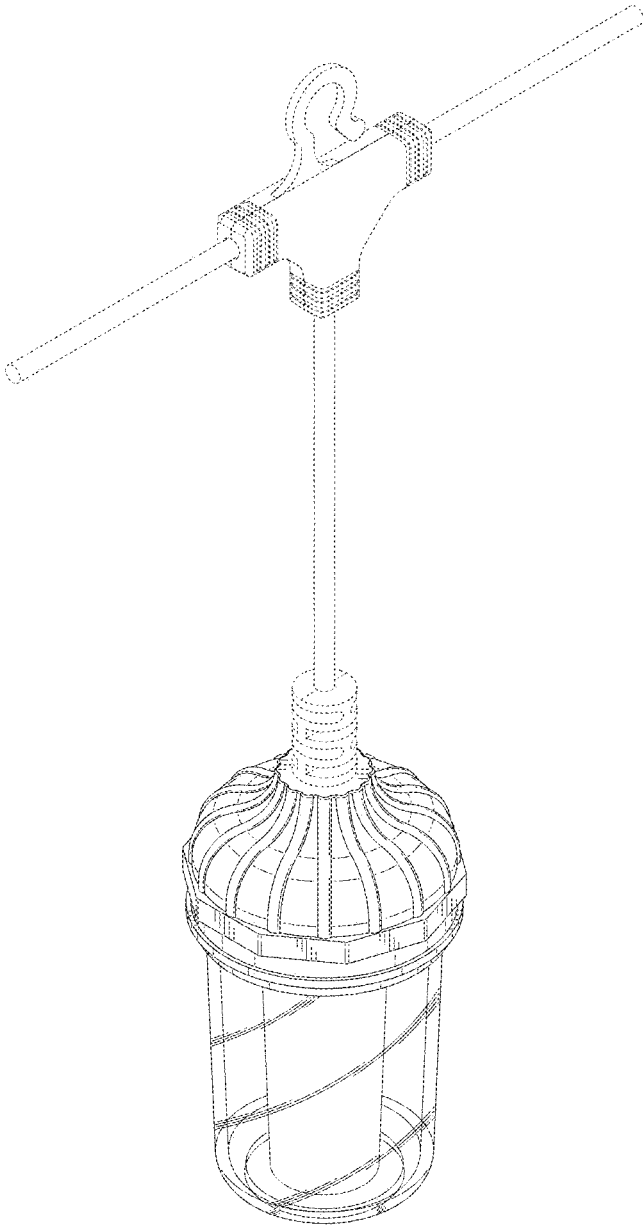


FIG. 1

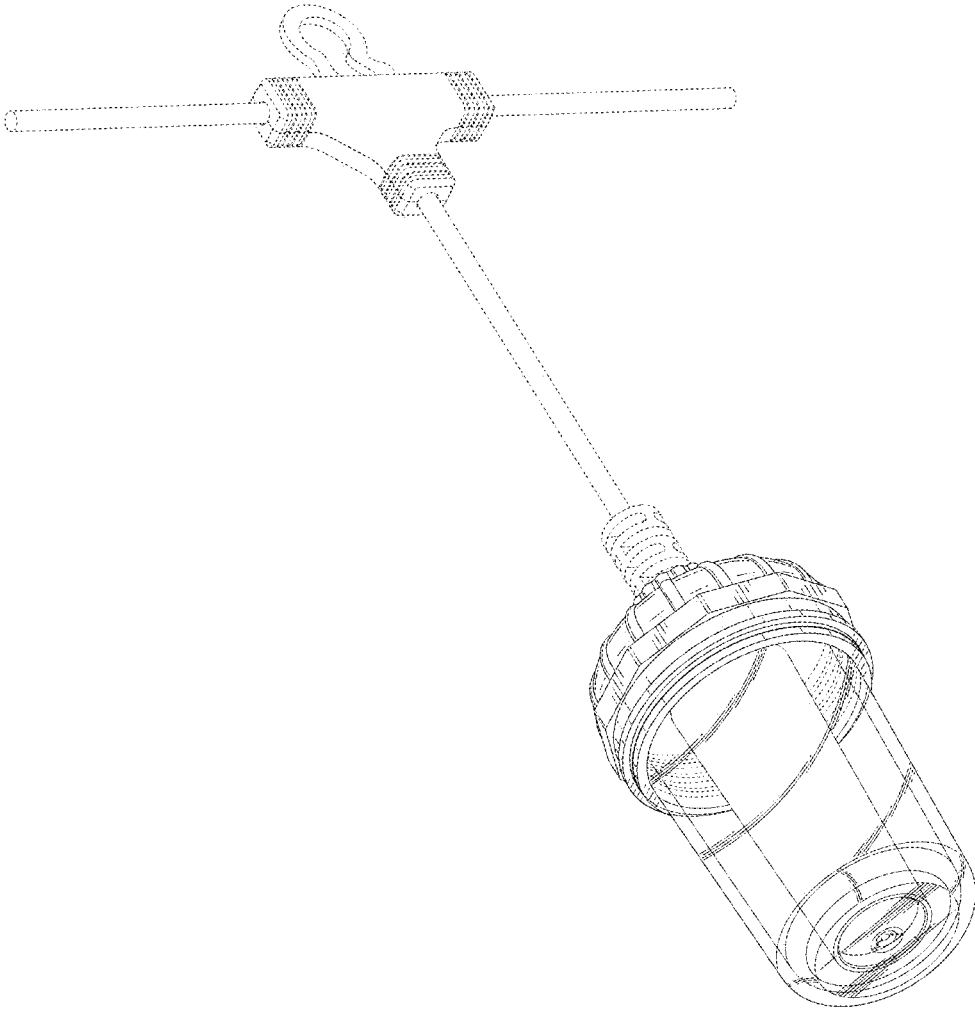


FIG.2

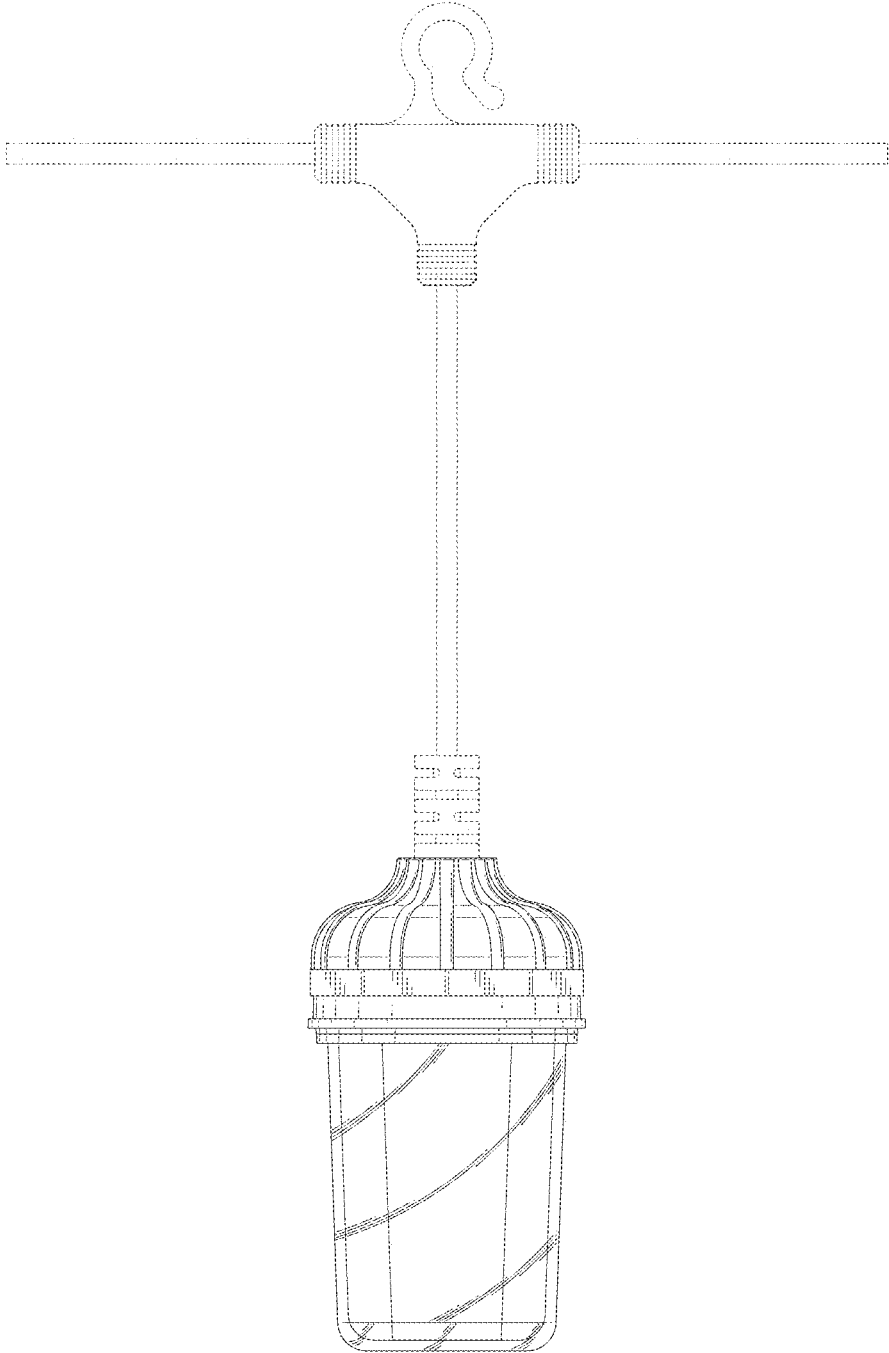


FIG.3

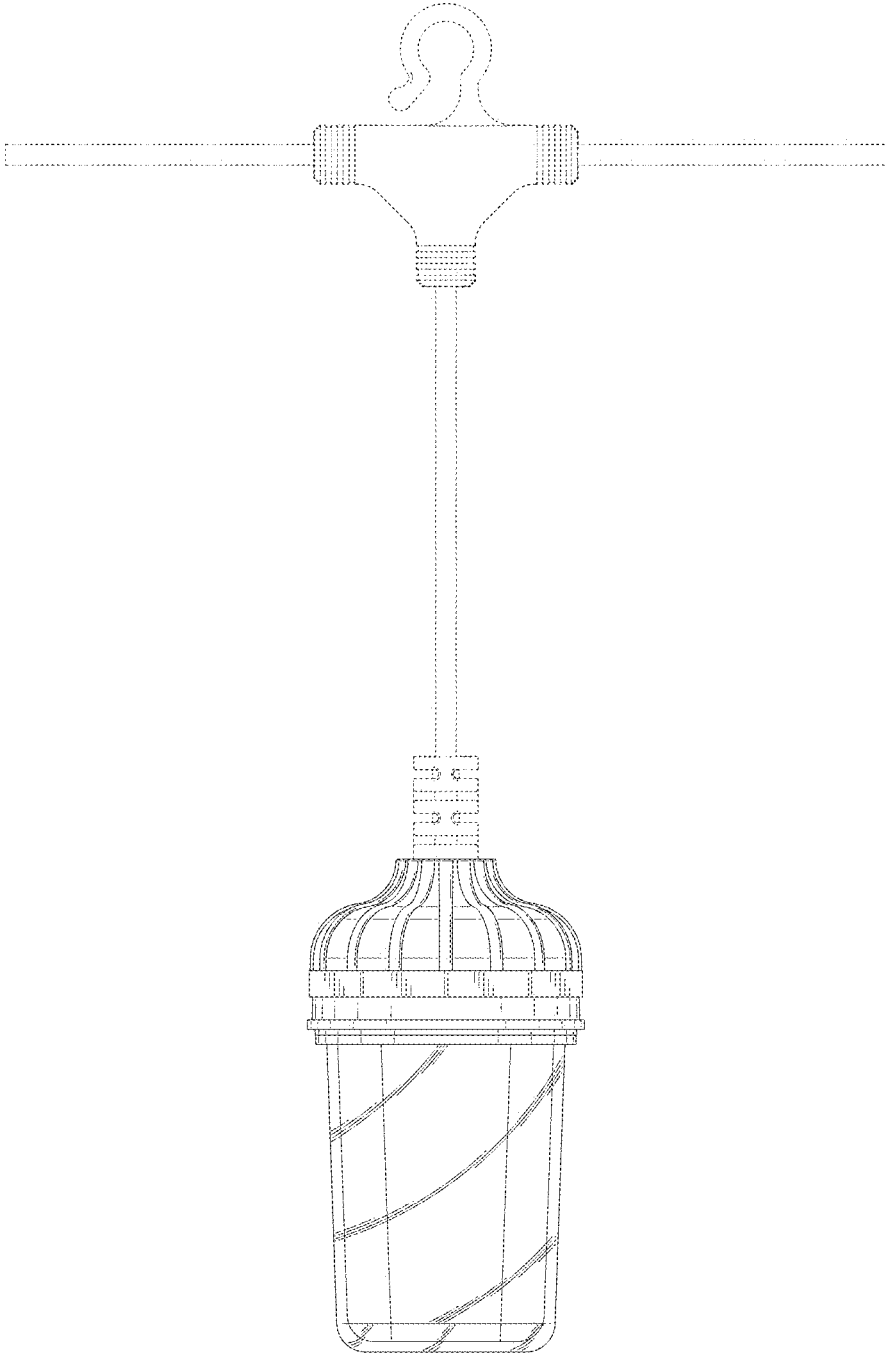


FIG.4

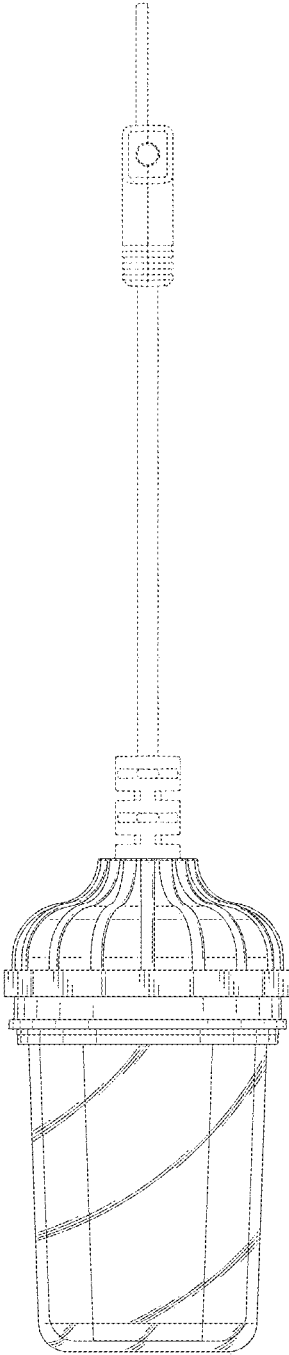


FIG.5

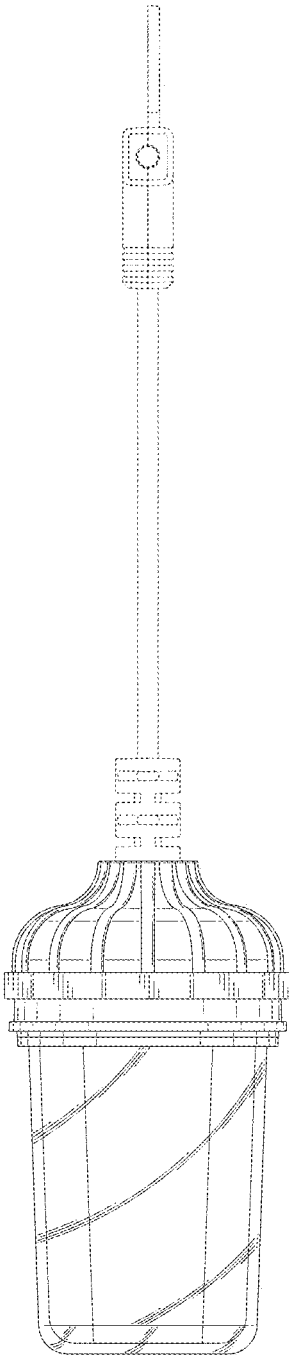


FIG.6

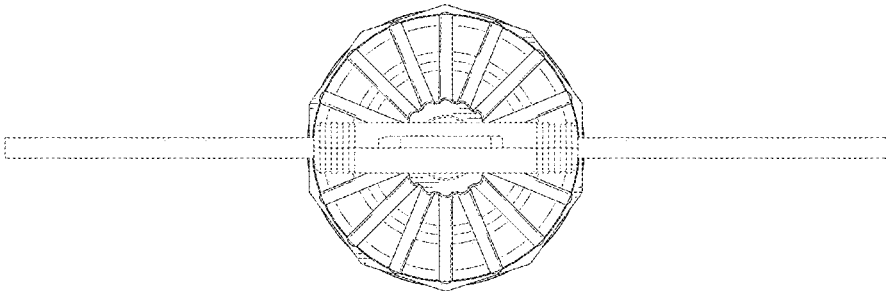


FIG.7

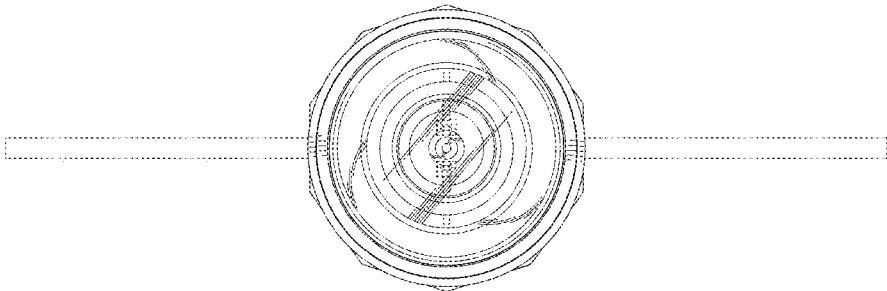


FIG.8

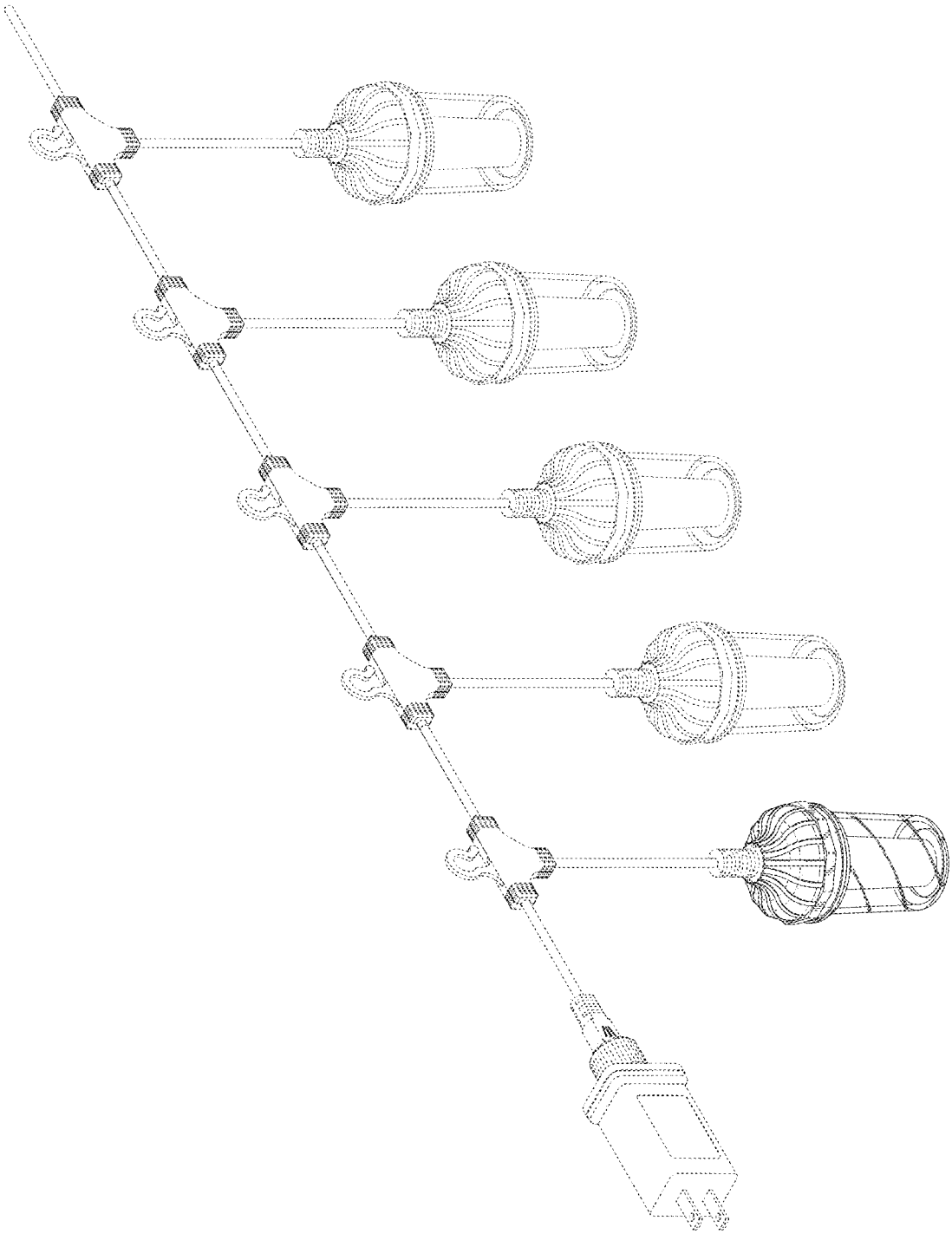


FIG.9