



US00D806967S

(12) **United States Design Patent**
Lambert et al.

(10) **Patent No.:** **US D806,967 S**
(45) **Date of Patent:** **** Jan. 2, 2018**

- (54) **PART OF A VACUUM CLEANER**
- (71) Applicant: **Dyson Technology Limited**, Wiltshire (GB)
- (72) Inventors: **Adam David Lambert**, Swindon (GB); **Paul Andrew McLuckie**, Bath (GB)
- (73) Assignee: **Dyson Technology Limited**, Malmesbury, Wiltshire (GB)
- (**) Term: **15 Years**
- (21) Appl. No.: **29/576,502**
- (22) Filed: **Sep. 2, 2016**
- (30) **Foreign Application Priority Data**

D532,947 S *	11/2006	Muscarella	D32/31
D642,754 S *	8/2011	Fjellman	D32/31
D647,266 S *	10/2011	Kim	D32/31
D674,158 S *	1/2013	Kim	D32/31
2010/0123305 A1*	5/2010	Shih	A47L 9/244 285/7

FOREIGN PATENT DOCUMENTS

EM	001799560-0001	1/2011
KR	30-0312968	11/2002
KR	30-0382327	5/2005
KR	30-0388928	8/2005
KR	30-0454661	7/2007

* cited by examiner

Primary Examiner — Ruth McInroy
(74) *Attorney, Agent, or Firm* — Morrison & Foerster LLP

- Mar. 4, 2016 (EM) 003013697-0003
- (51) **LOC (11) Cl.** **15-05**
- (52) **U.S. Cl.**
USPC **D32/31**
- (58) **Field of Classification Search**
USPC D8/396; D32/31-33, 35, 40, 50, 51
CPC F16M 13/02; A24F 19/092; F16L 27/12;
A47L 9/242; A47L 9/02; A47L 9/06;
A47L 9/0673; A47L 5/362; A47L 5/28;
A47L 5/34; A47L 5/30; A47G 25/66;
E04H 4/1654
See application file for complete search history.

(57) **CLAIM**

We claim the ornamental design for a part of a vacuum cleaner, as shown and described.

DESCRIPTION

The file of this patent contains at least one drawing executed in color. Copies of this patent with color drawings will be provided by the Office upon request and payment of the necessary fee.

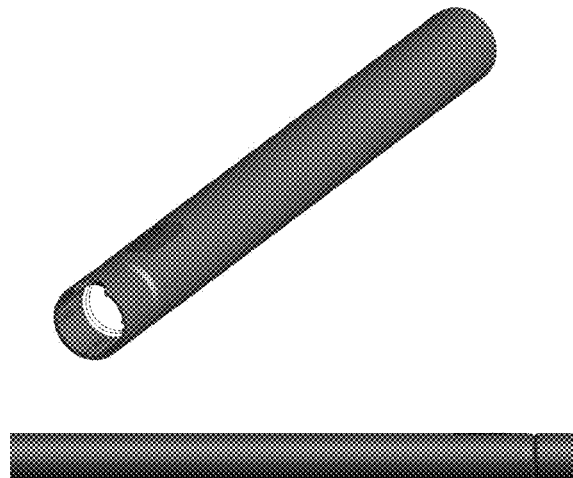
FIG. 1 is a perspective view of a part of a vacuum cleaner showing our new design;
FIG. 2 is a side view thereof;
FIG. 3 is a side view of the opposite side of FIG. 2;
FIG. 4 is a top view thereof;
FIG. 5 is a bottom view thereof;
FIG. 6 is a front view thereof; and,
FIG. 7 is a rear view thereof.

The broken lines shown in the drawings illustrate portions of part of a vacuum cleaner that form no part of the claimed design.

1 Claim, 7 Drawing Sheets
(6 of 7 Drawing Sheet(s) Filed in Color)

(56) **References Cited**
U.S. PATENT DOCUMENTS

D217,285 S *	4/1970	Anderson	D32/31
D267,906 S *	2/1983	Parise	D32/31
D361,415 S *	8/1995	Knight	D32/31
D470,983 S *	2/2003	Svaldi	D32/31
D477,445 S *	7/2003	Schroter	D32/31
D480,848 S *	10/2003	Smith	D32/31
6,702,332 B2*	3/2004	Young	A47L 9/242 15/327.1
D502,578 S *	3/2005	Roschi	D32/31



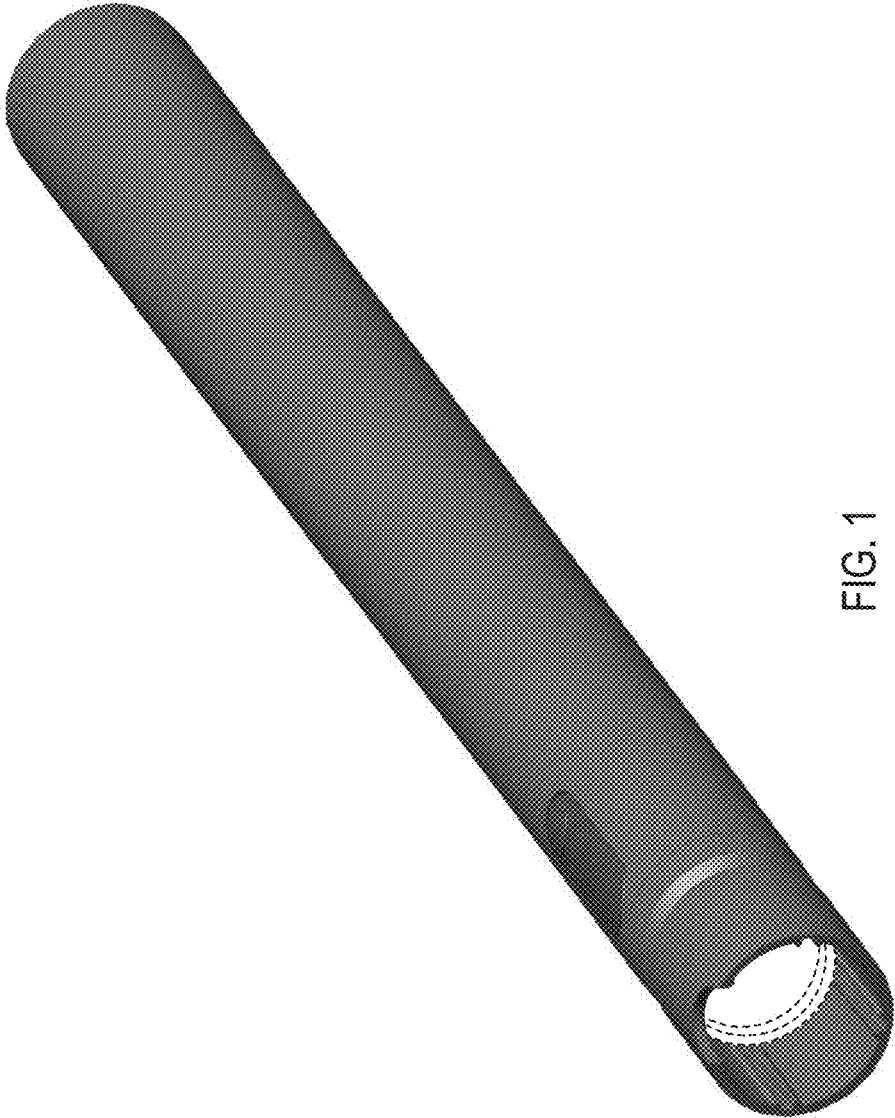


FIG. 1

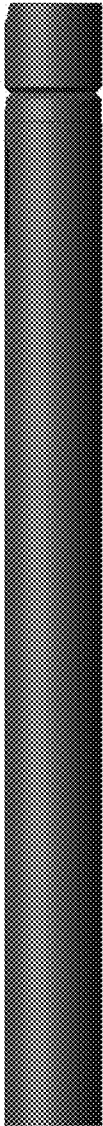


FIG. 2

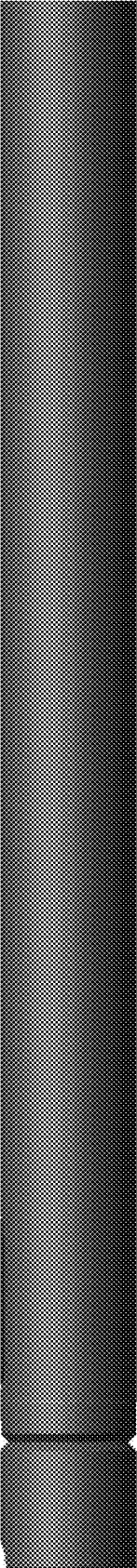


FIG. 3

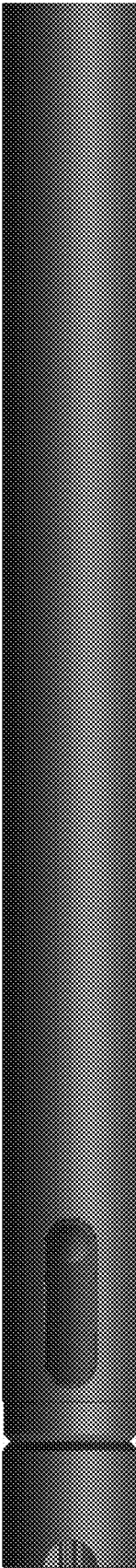


FIG. 4

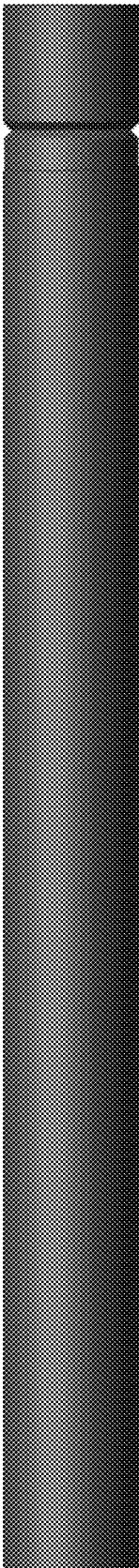


FIG. 5

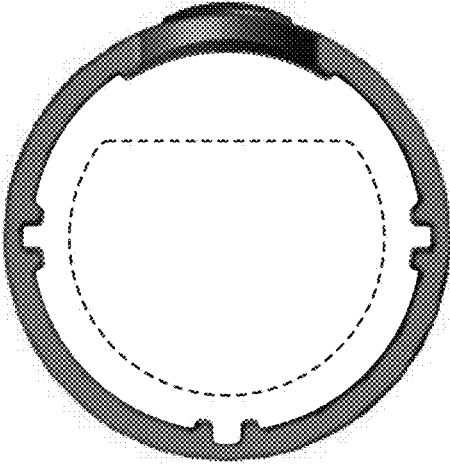


FIG. 6

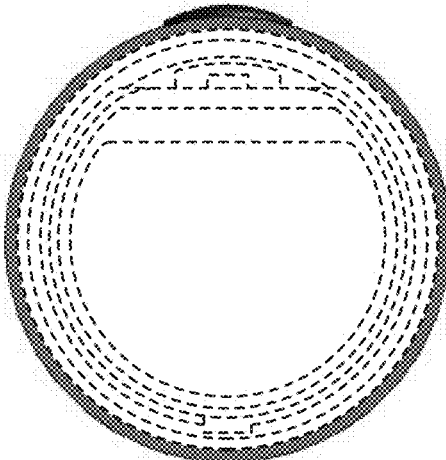


FIG. 7