



- (51) International Patent Classification:
B60D 1/06 (2006.01) B60P 3/12 (2006.01)
B60D 1/64 (2006.01)
- (21) International Application Number:
PCT/US2012/024624
- (22) International Filing Date:
10 February 2012 (10.02.2012)
- (25) Filing Language: English
- (26) Publication Language: English
- (30) Priority Data:
13/036,684 28 February 2011 (28.02.2011) US
- (71) Applicant (for all designated States except US): WILLIAMS INNOVATIONS, LLC [US/US]; 2000 Aerial Center Parkway, Suite 112, Morrisville, NC 27560 (US).

- (72) Inventors; and
- (75) Inventors/Applicants (for US only): DEKARSKE, David, Allen [US/US]; 5747 Lockwood Drive, Waterford, MI 48329 (US). WILLIAMS, JR., Thomas, M. [US/US]; 2310 Old Oxford Road, Durham, NC 27704 (US).
- (74) Agent: MYERS BIGEL SIBLEY & SAJOVEC, P.A.; P.O. Box 37428, Raleigh, NC 27627 (US).
- (81) Designated States (unless otherwise indicated, for every kind of national protection available): AE, AG, AL, AM, AO, AT, AU, AZ, BA, BB, BG, BH, BR, BW, BY, BZ, CA, CH, CL, CN, CO, CR, CU, CZ, DE, DK, DM, DO, DZ, EC, EE, EG, ES, FI, GB, GD, GE, GH, GM, GT, HN, HR, HU, ID, IL, IN, IS, JP, KE, KG, KM, KN, KP, KR, KZ, LA, LC, LK, LR, LS, LT, LU, LY, MA, MD, ME, MG, MK, MN, MW, MX, MY, MZ, NA, NG, NI, NO, NZ, OM, PE, PG, PH, PL, PT, QA, RO, RS, RU, RW, SC, SD, SE, SG, SK, SL, SM, ST, SV, SY, TH, TJ, TM, TN, TR, TT, TZ, UA, UG, US, UZ, VC, VN, ZA, ZM, ZW.
- (84) Designated States (unless otherwise indicated, for every kind of regional protection available): ARIPO (BW, GH, GM, KE, LR, LS, MW, MZ, NA, RW, SD, SL, SZ, TZ,

[Continued on next page]

(54) Title: DUAL TOW BALL COUPLING APPARATUS

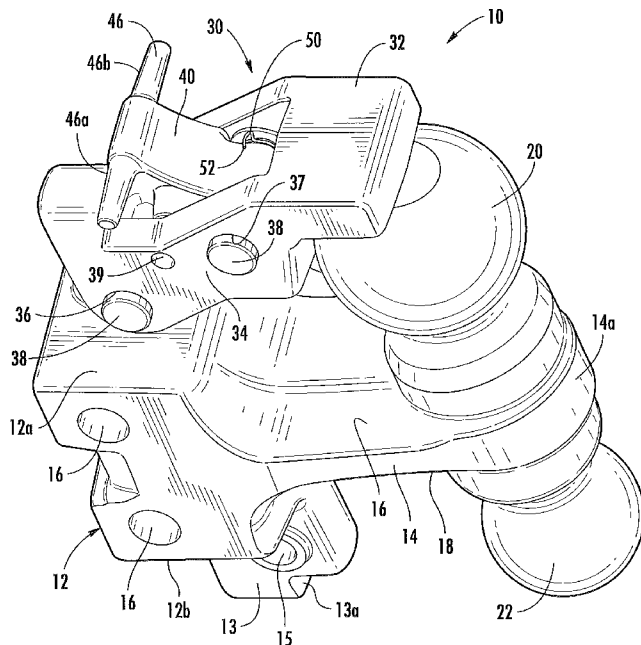


FIG. 1

(57) Abstract: A coupling apparatus includes a base, an arm extending from the base, a first tow ball extending from a first side of the arm, and a second tow ball extending from an opposite second side of the arm. The base is configured to be removably attached to a vehicle in opposite first and second positions such that the first tow ball is in an upright orientation when the base is attached to a vehicle in the first position, and the second tow ball is in an upright orientation when the base is attached to a vehicle in the second position. Each of the first and second end portions of the base includes a respective post, and a retainer assembly is configured to be removably attachable to each post.

WO 2012/118607 A3



UG, ZM, ZW), Eurasian (AM, AZ, BY, KG, KZ, MD, RU, TJ, TM), European (AL, AT, BE, BG, CH, CY, CZ, DE, DK, EE, ES, FI, FR, GB, GR, HR, HU, IE, IS, IT, LT, LU, LV, MC, MK, MT, NL, NO, PL, PT, RO, RS, SE, SI, SK, SM, TR), OAPI (BF, BJ, CF, CG, CI, CM, GA, GN, GQ, GW, ML, MR, NE, SN, TD, TG).

— *before the expiration of the time limit for amending the claims and to be republished in the event of receipt of amendments (Rule 48.2(h))*

(88) Date of publication of the international search report:
26 October 2012

Published:

— *with international search report (Art. 21(3))*

INTERNATIONAL SEARCH REPORT

International application No.
PCT/US2012/024624**A. CLASSIFICATION OF SUBJECT MATTER*****B60D 1/06(2006.01)i, B60D 1/64(2006.01)i, B60P 3/12(2006.01)i***

According to International Patent Classification (IPC) or to both national classification and IPC

B. FIELDS SEARCHED

Minimum documentation searched (classification system followed by classification symbols)

B60D 1/06; B60D 1/46; B60D 1/07; B60D 1/28

Documentation searched other than minimum documentation to the extent that such documents are included in the fields searched

Korean utility models and applications for utility models

Japanese utility models and applications for utility models

Electronic data base consulted during the international search (name of data base and, where practicable, search terms used)

eKOMPASS(KIPO internal) & Keywords: hitch, tow , retainer, ball, assembly

C. DOCUMENTS CONSIDERED TO BE RELEVANT

Category*	Citation of document, with indication, where appropriate, of the relevant passages	Relevant to claim No.
X Y	US 2009/0295123 A1 (GOOD JEFFREY ALLEN) 03 December 2009 See paragraphs [0033], [0041]-[0047] and figures 1-12.	1-3, 10-12, 15-17 4-9, 13-14, 18-24
Y A	US 7,264,261 B2 (DEAN KONSELA) 04 September 2007 See column 4 and figures 1, 4.	4-9, 13-14, 18-24 1-3, 10-12, 15-17
A	US 7,004,492 B2 (MOSS et al.) 28 February 2006 See abstract and figures 1-16.	1-24
A	US 4,817,979 A (GOETTKER; BERNHARDT P.) 04 April 1989 See column 2 and figures 3-5.	8, 21

 Further documents are listed in the continuation of Box C. See patent family annex.

* Special categories of cited documents:

"A" document defining the general state of the art which is not considered to be of particular relevance

"E" earlier application or patent but published on or after the international filing date

"L" document which may throw doubts on priority claim(s) or which is cited to establish the publication date of citation or other special reason (as specified)

"O" document referring to an oral disclosure, use, exhibition or other means

"P" document published prior to the international filing date but later than the priority date claimed

"T" later document published after the international filing date or priority date and not in conflict with the application but cited to understand the principle or theory underlying the invention

"X" document of particular relevance; the claimed invention cannot be considered novel or cannot be considered to involve an inventive step when the document is taken alone

"Y" document of particular relevance; the claimed invention cannot be considered to involve an inventive step when the document is combined with one or more other such documents, such combination being obvious to a person skilled in the art

"&" document member of the same patent family

Date of the actual completion of the international search

29 AUGUST 2012 (29.08.2012)

Date of mailing of the international search report

03 SEPTEMBER 2012 (03.09.2012)

Name and mailing address of the ISA/KR

Korean Intellectual Property Office
189 Cheongsu-ro, Seo-gu, Daejeon Metropolitan
City, 302-701, Republic of Korea

Facsimile No. 82-42-472-7140

Authorized officer

Han Dong Ki

Telephone No. 82-42-481-3390



INTERNATIONAL SEARCH REPORT

Information on patent family members

International application No.

PCT/US2012/024624

Patent document cited in search report	Publication date	Patent family member(s)	Publication date
US 2009/0295123 A1	03.12.2009	US 8,033,563 B2	11.10.2011
US 7,264,261 B2	04.09.2007	US 2006/0226633 A1 US 2007/0257470 A1 US 2009/0127820 A1 US 7,478,821 B2 US 7,735,848 B2	12.10.2006 08.11.2007 21.05.2009 20.01.2009 15.06.2010
US 7,004,492 B2	28.02.2006	AU 2001-13493 A1 AU 2002-247147 A1 AU 2002-247147 A8 CA 2389286 A1 CA 2389286 C CA 2450750 A1 CA 2450750 C EP 1227946 A1 EP 1227946 A4 MX PA03007301 A US 2002/0047247 A1 US 2002/0113405 A1 US 2003/0006581 A1 US 2003/0052472 A1 US 2003/0218314 A1 US 2004/0135346 A1 US 2005/0067812 A1 US 2008/0258433 A1 US 6,460,870 B2 US 6,712,381 B1 US 6,789,815 B2 US 6,974,148 B2 US 7,029,022 B2 US 7,125,036 B2 US 7,204,505 B2 US 7,819,416 B2 WO 01/32451 A1 WO 02/064385 A2 WO 02/064385 A3	14.05.2001 28.08.2002 28.08.2002 10.05.2001 29.12.2009 22.08.2002 05.04.2011 07.08.2002 21.05.2003 13.12.2004 25.04.2002 22.08.2002 09.01.2003 20.03.2003 27.11.2003 15.07.2004 31.03.2005 23.10.2008 08.10.2002 30.03.2004 14.09.2004 13.12.2005 18.04.2006 24.10.2006 17.04.2007 26.10.2010 10.05.2001 22.08.2002 22.08.2002
US 4,817,979 A	04.04.1989	None	