



US00D610138S

(12) **United States Design Patent**
Andre et al.

(10) **Patent No.:** **US D610,138 S**
(45) **Date of Patent:** **** Feb. 16, 2010**

(54) **COMPUTER**

(75) Inventors: **Bartley K. Andre**, Menlo Park, CA (US); **Daniel J. Coster**, San Francisco, CA (US); **Daniele De Iulii**, San Francisco, CA (US); **Richard P. Howarth**, San Francisco, CA (US); **Jonathan P. Ive**, San Francisco, CA (US); **Steve Jobs**, Palo Alto, CA (US); **Duncan Robert Kerr**, San Francisco, CA (US); **Shin Nishibori**, Portola Valley, CA (US); **Matthew Dean Rohrbach**, San Francisco, CA (US); **Peter Russell-Clarke**, San Francisco, CA (US); **Douglas B. Satzger**, Menlo Park, CA (US); **Calvin Q. Seid**, Palo Alto, CA (US); **Vincent Keane Seid**, legal representative, Los Gatos, CA (US); **Christopher J. Stringer**, Woodside, CA (US); **Eugene Antony Whang**, San Francisco, CA (US); **Rico Zorkendorfer**, San Francisco, CA (US)

(73) Assignee: **Apple Inc.**, Cupertino, CA (US)

(**) Term: **14 Years**

(21) Appl. No.: **29/342,525**

(22) Filed: **Aug. 26, 2009**

Related U.S. Application Data

(62) Division of application No. 29/289,878, filed on Aug. 2, 2007.

(51) **LOC (9) Cl.** **14-02**

(52) **U.S. Cl.** **D14/336**

(58) **Field of Classification Search** D14/371-376, D14/125-129, 336, 337; 248/917-924, 371, 248/121, 176.1, 278.1; 341/12; 345/104, 345/156, 173, 174, 901-905; 348/180, 184, 348/325, 739; 349/1, 2, 11, 62; 361/679.08

See application file for complete search history.

(56) **References Cited**

U.S. PATENT DOCUMENTS

D294,262 S 2/1988 Thies et al.

(Continued)

OTHER PUBLICATIONS

MACWORLD magazine, Jun. 2007, cover.

Primary Examiner—Freda S Nunn

(74) *Attorney, Agent, or Firm*—SAIDMAN DesignLaw Group

(57) **CLAIM**

The ornamental design for a computer, as shown and described.

DESCRIPTION

FIG. 1 is a front perspective view of a computer showing our new design;

FIG. 2 is a front view thereof;

FIG. 3 is a rear view thereof;

FIG. 4 is a right side view thereof;

FIG. 5 is a left side view thereof;

FIG. 6 is a top view thereof;

FIG. 7 is a bottom view thereof;

FIG. 8 is a rear perspective view thereof;

FIG. 9 is another rear perspective view thereof;

FIG. 10 is a front perspective view of a second embodiment thereof;

FIG. 11 is a front view thereof;

FIG. 12 is a rear view thereof;

FIG. 13 is a right side view thereof;

FIG. 14 is a left side view thereof;

FIG. 15 is a top view thereof;

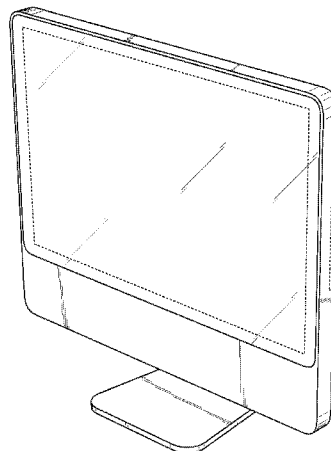
FIG. 16 is a bottom view thereof;

FIG. 17 is a rear perspective view thereof; and,

FIG. 18 is another rear perspective view thereof.

The broken line showing is for the purpose of illustrating environmental structure and forms no part of the claimed design.

1 Claim, 14 Drawing Sheets



US D610,138 S

Page 2

U.S. PATENT DOCUMENTS

D428,415 S	7/2000	Shibata	D495,332 S	8/2004	Jobs et al.	
D432,101 S	10/2000	Oba	D496,040 S	9/2004	Jobs et al.	
D434,763 S	12/2000	Jobs et al.	D504,889 S *	5/2005	Andre et al.	D14/341
D453,022 S	1/2002	Oba	D520,006 S *	5/2006	Chen et al.	D14/375
D456,023 S	4/2002	Andre et al.	D529,913 S *	10/2006	Chen et al.	D14/375
6,381,125 B1 *	4/2002	Mizoguchi et al.	D531,631 S	11/2006	Andre et al.	
D464,049 S	10/2002	Goto	D532,011 S	11/2006	Andre et al.	
D476,335 S	6/2003	Miao et al.	D541,278 S *	4/2007	Hsu et al.	D14/375
D486,486 S	2/2004	Jobs et al.	2002/0020792 A1 *	2/2002	Lee	248/278.1
D488,139 S	4/2004	Takami et al.	2003/0189155 A1 *	10/2003	Serbinski et al.	248/371
D491,901 S	6/2004	Chin et al.	2006/0076463 A1 *	4/2006	Drew	248/121
D494,971 S	8/2004	Jobs et al.	2006/0237599 A1 *	10/2006	Ternus et al.	248/176.1

* cited by examiner

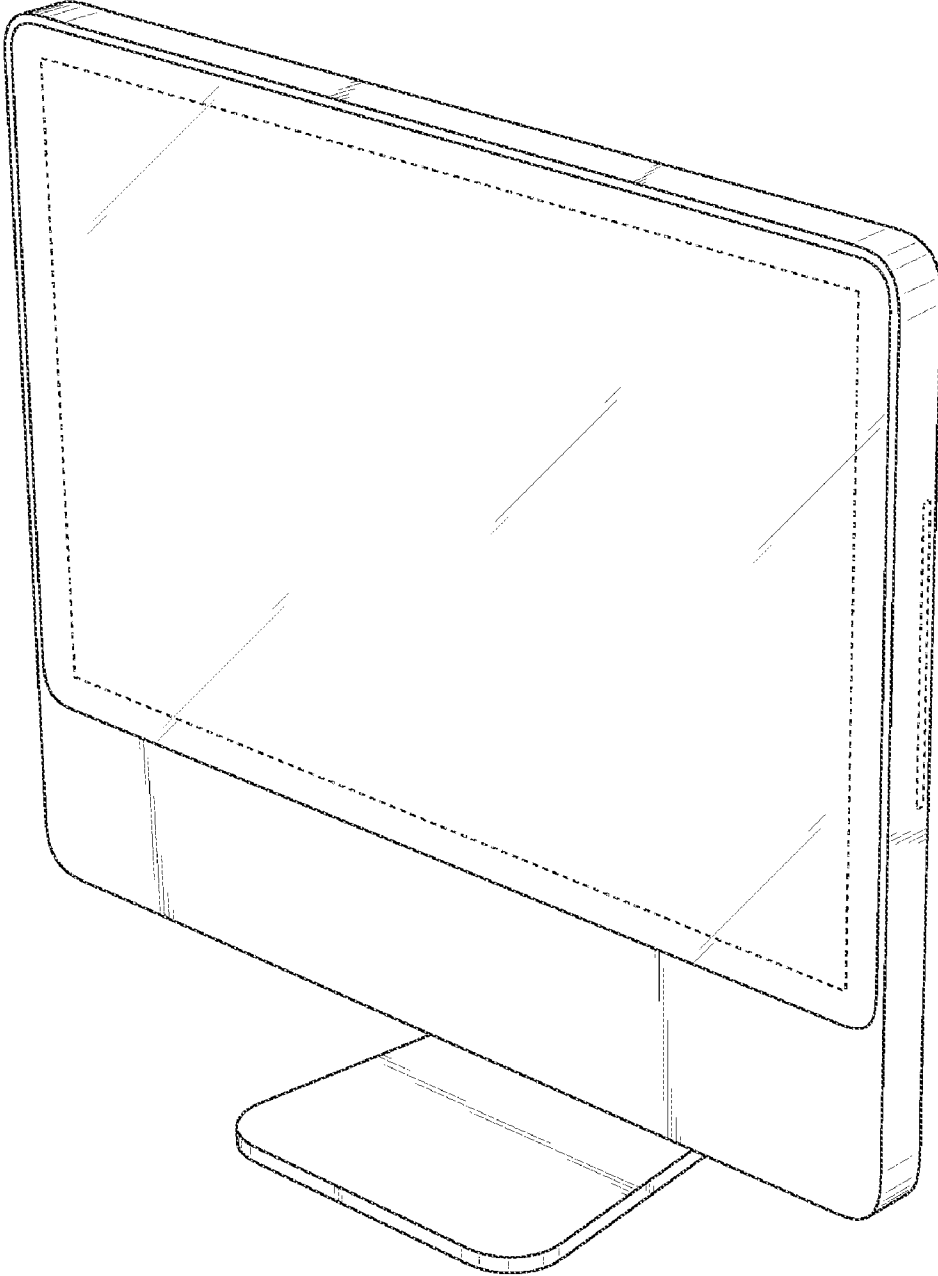


Fig. 1

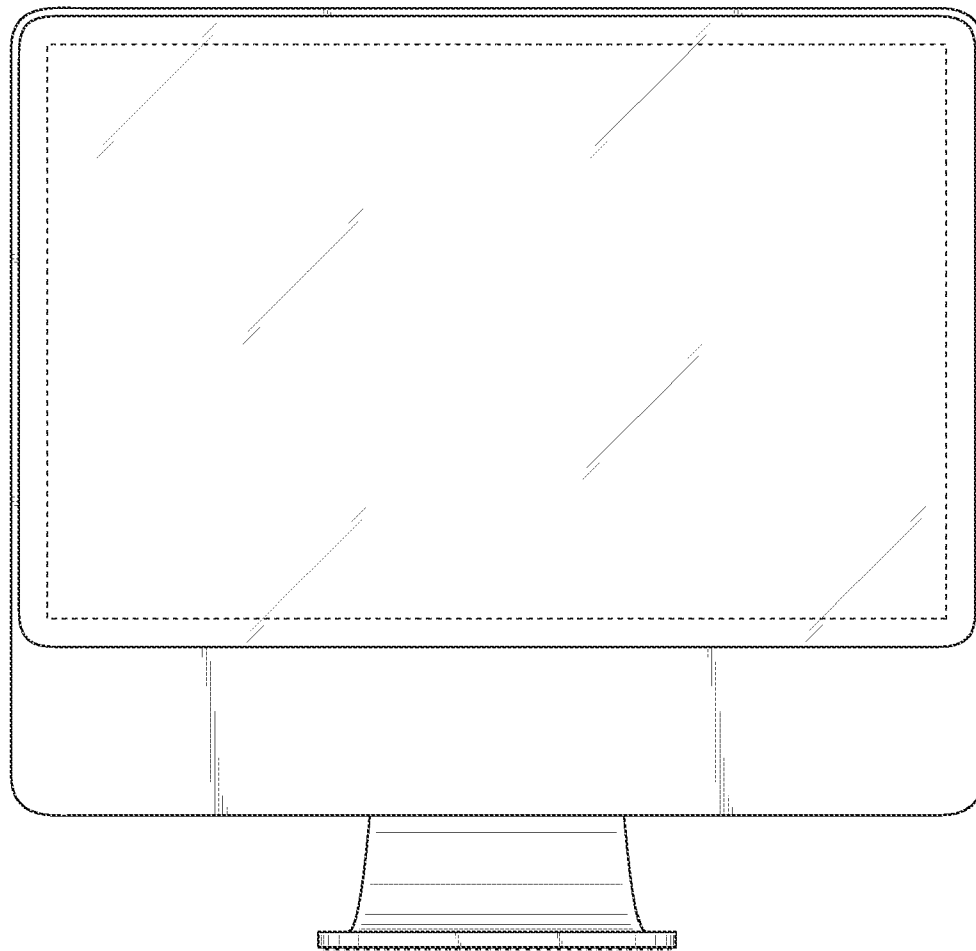


Fig. 2

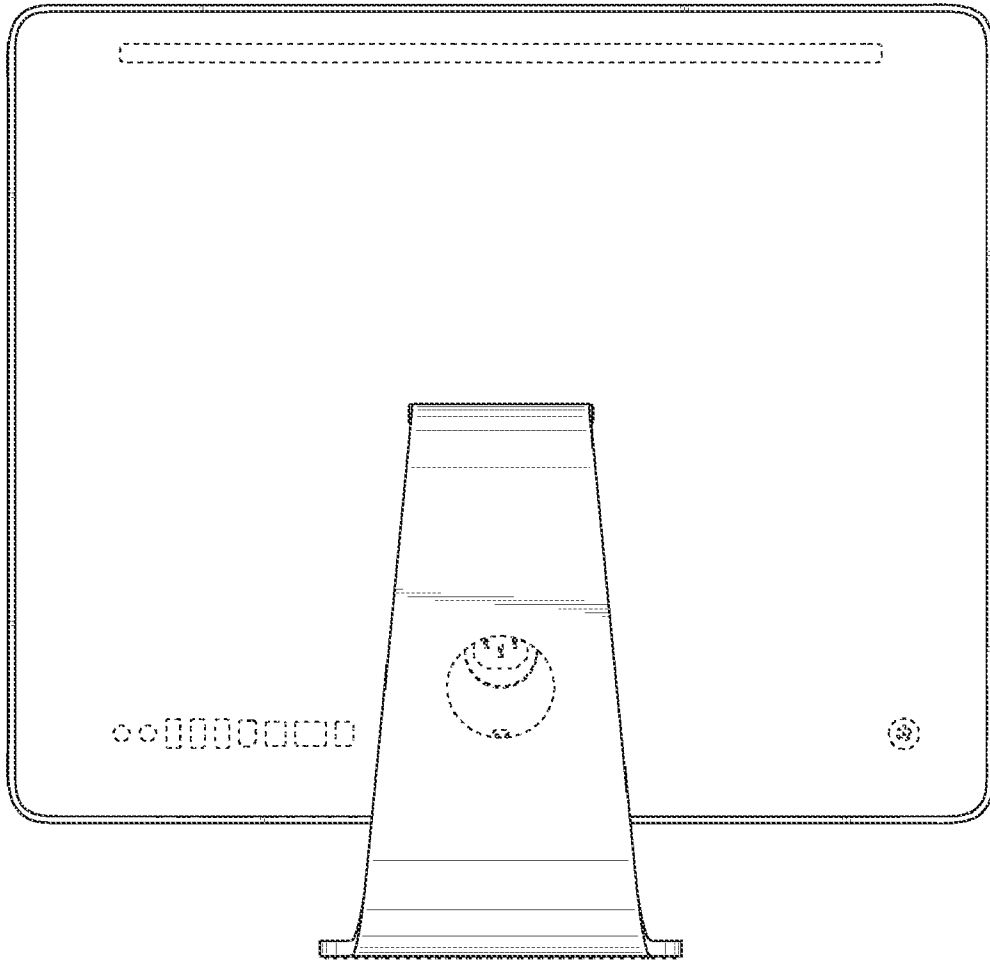


Fig. 3

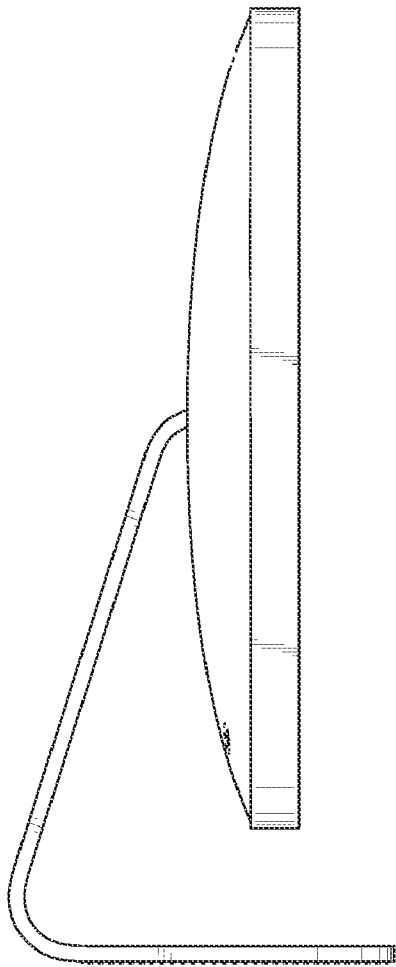


Fig. 4

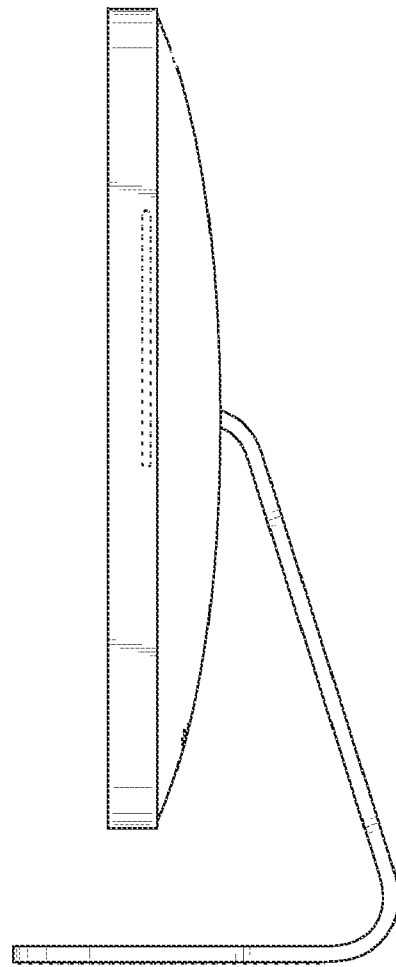


Fig. 5

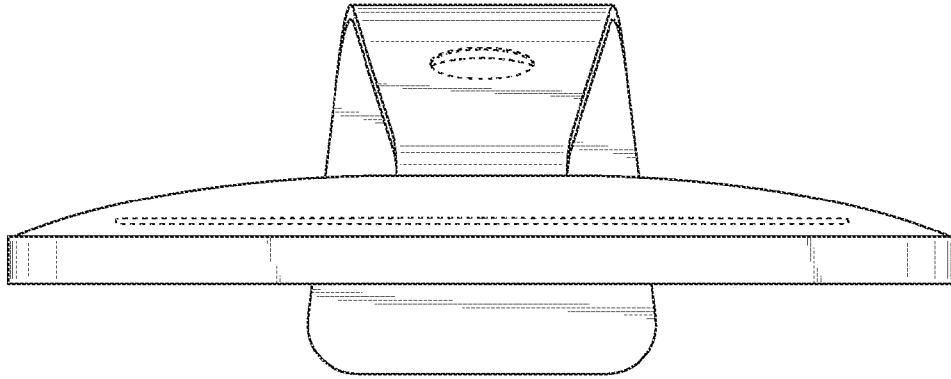


Fig. 6

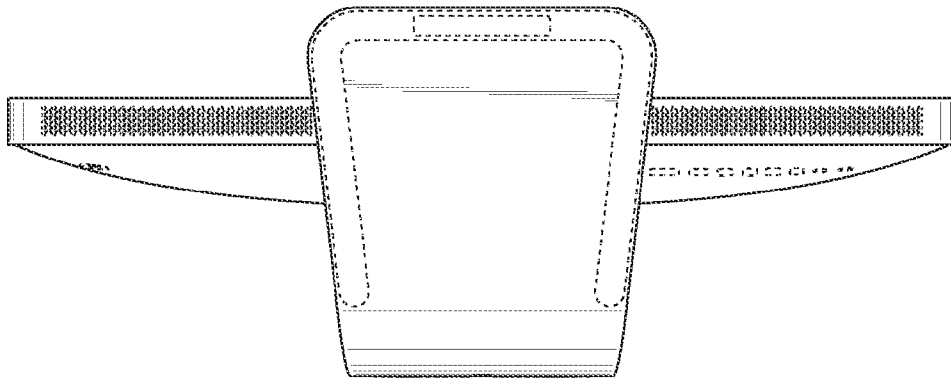


Fig. 7

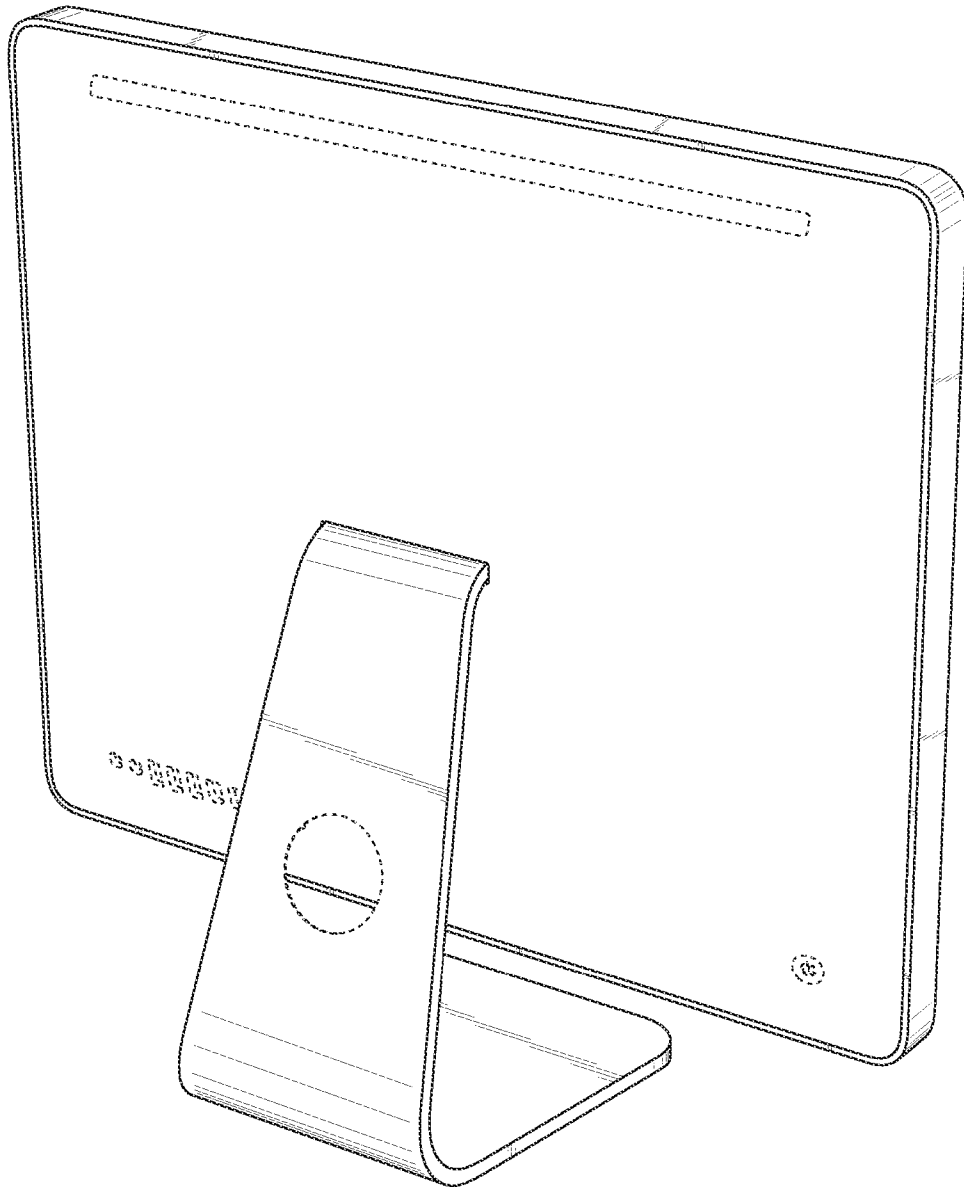


Fig. 8

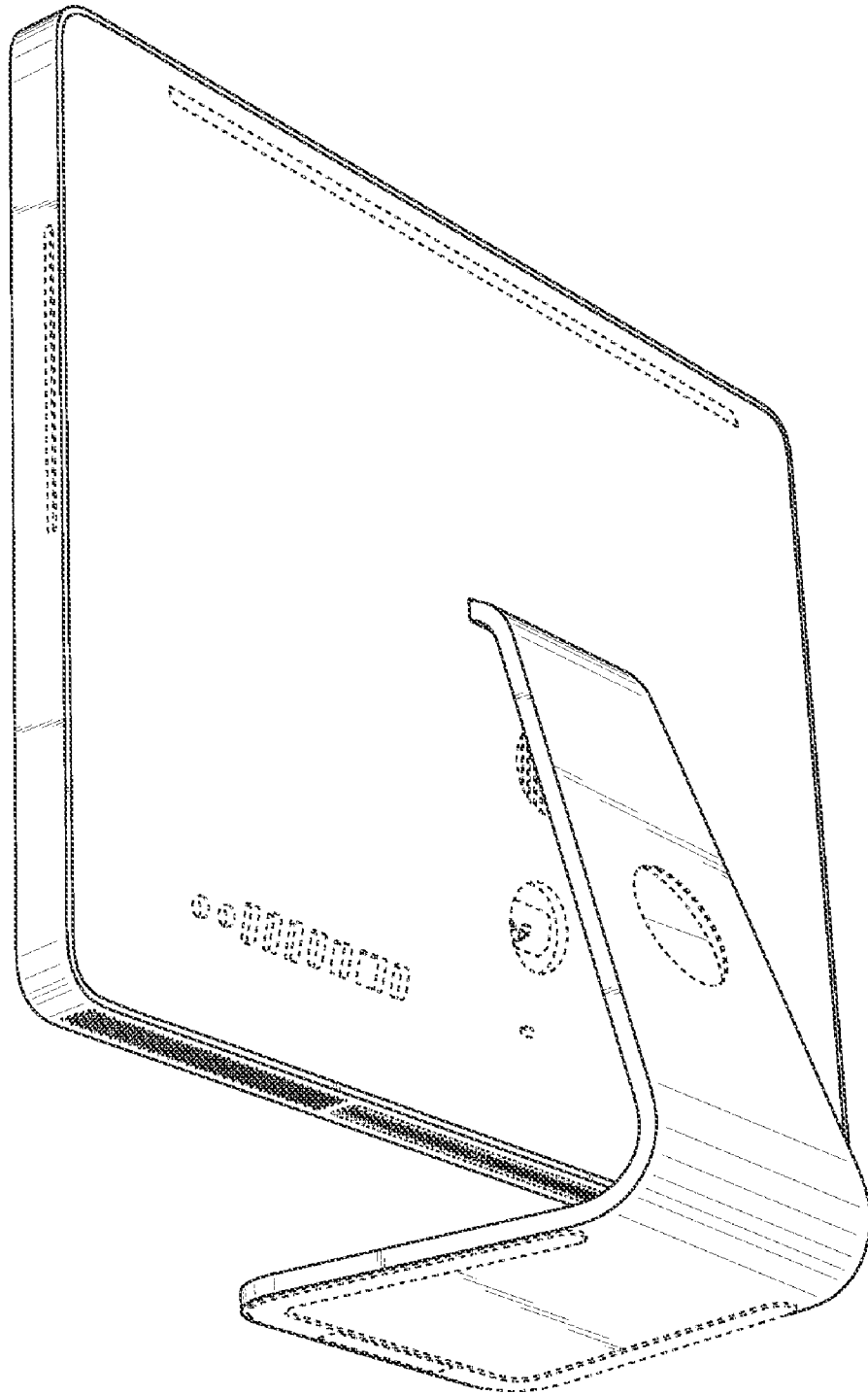


Fig. 9

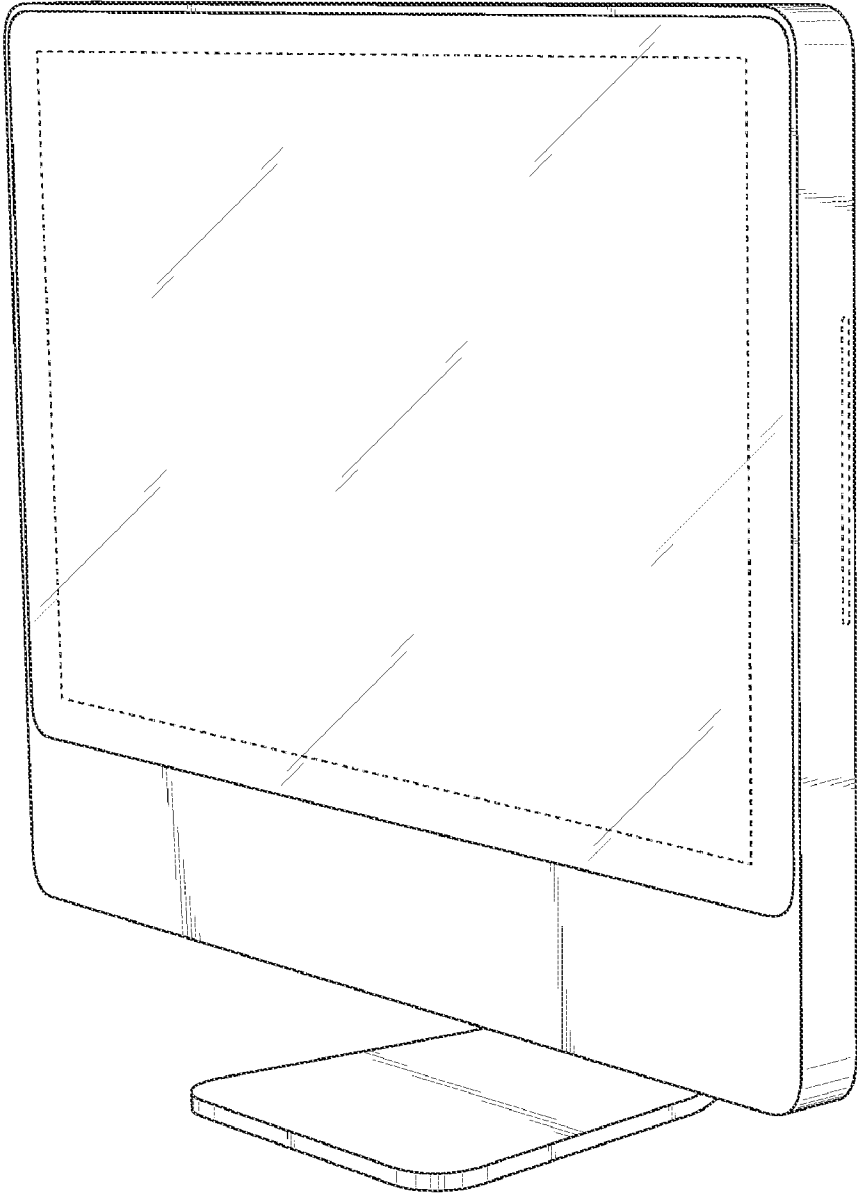


Fig. 10

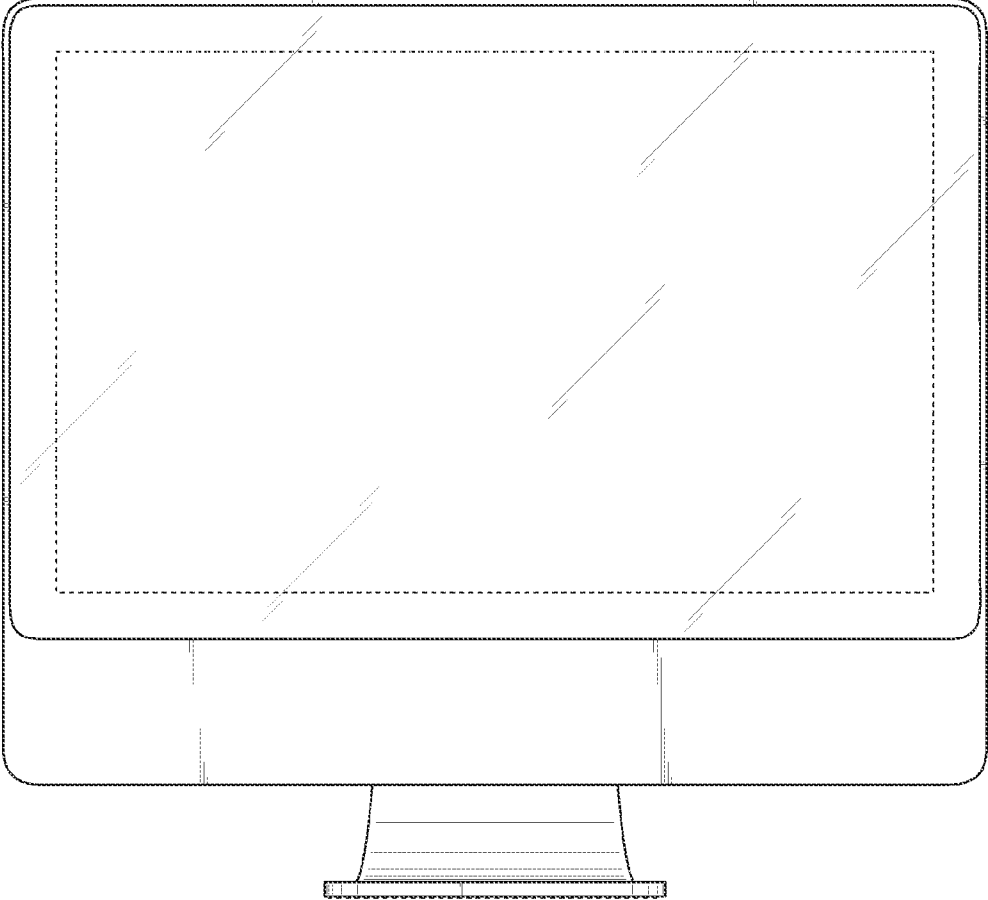


Fig. 11

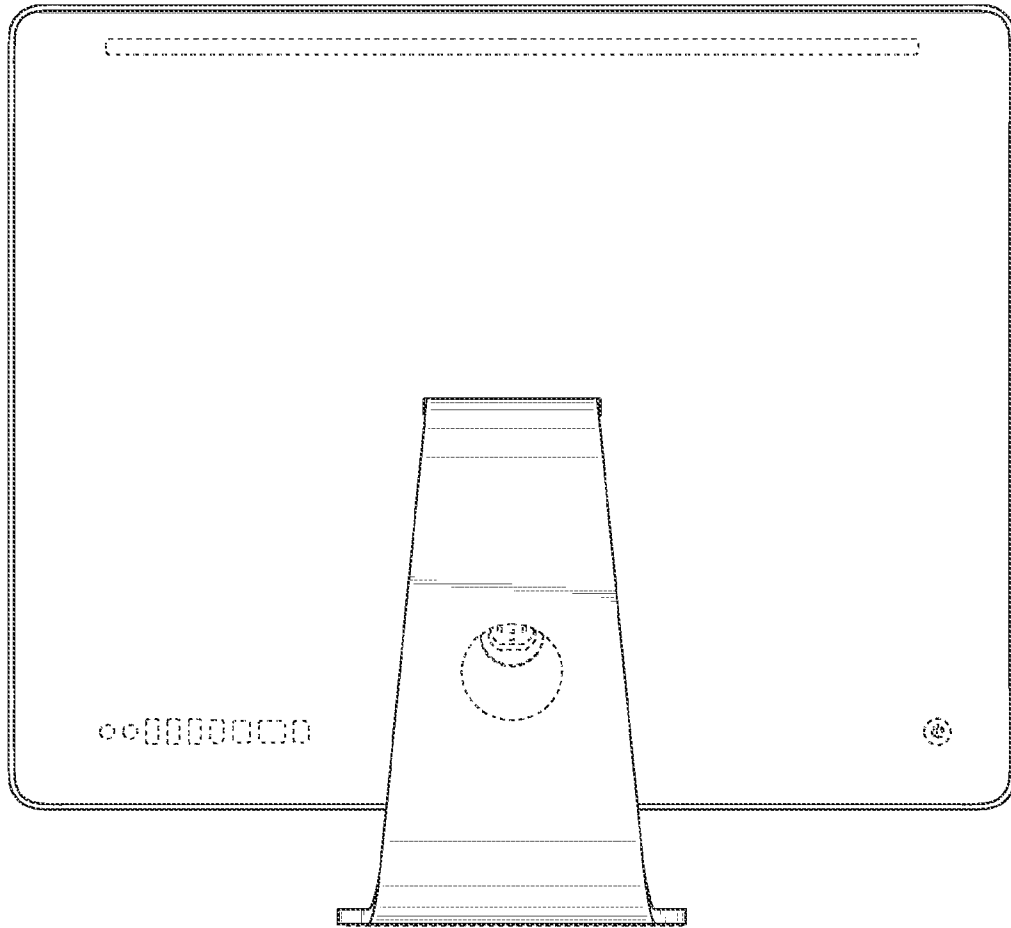


Fig. 12

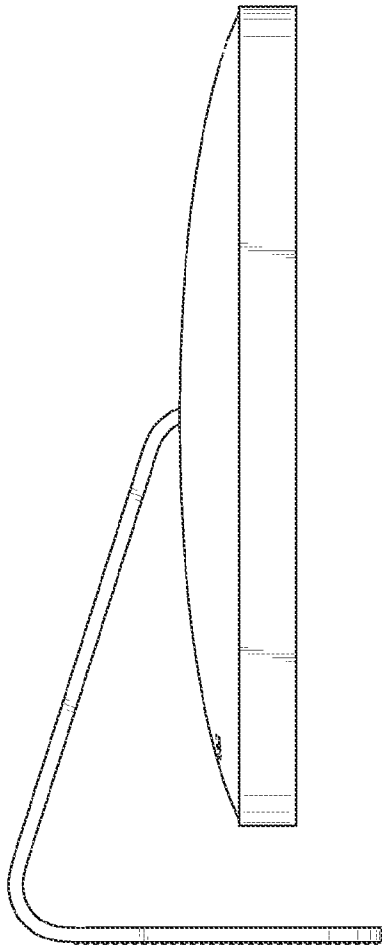


Fig. 13

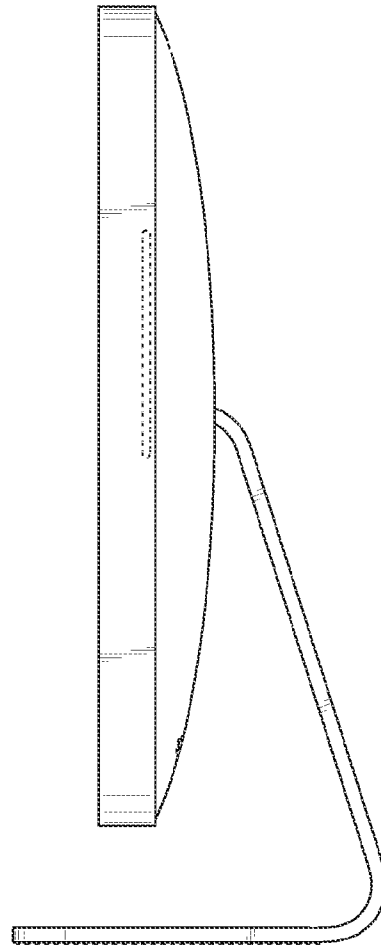


Fig. 14

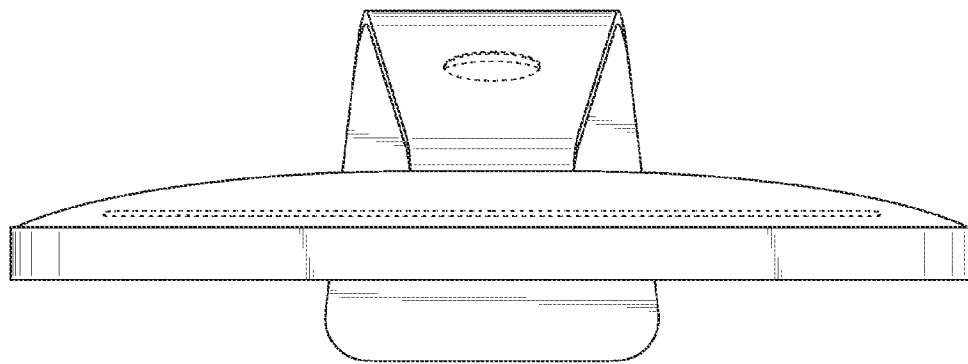


Fig. 15

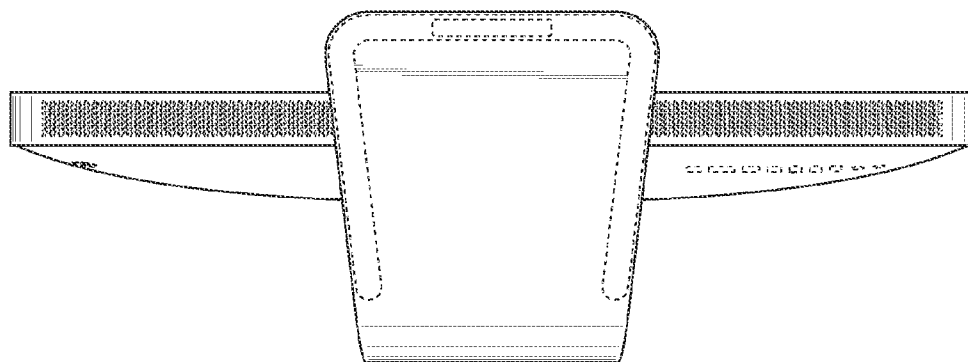


Fig. 16

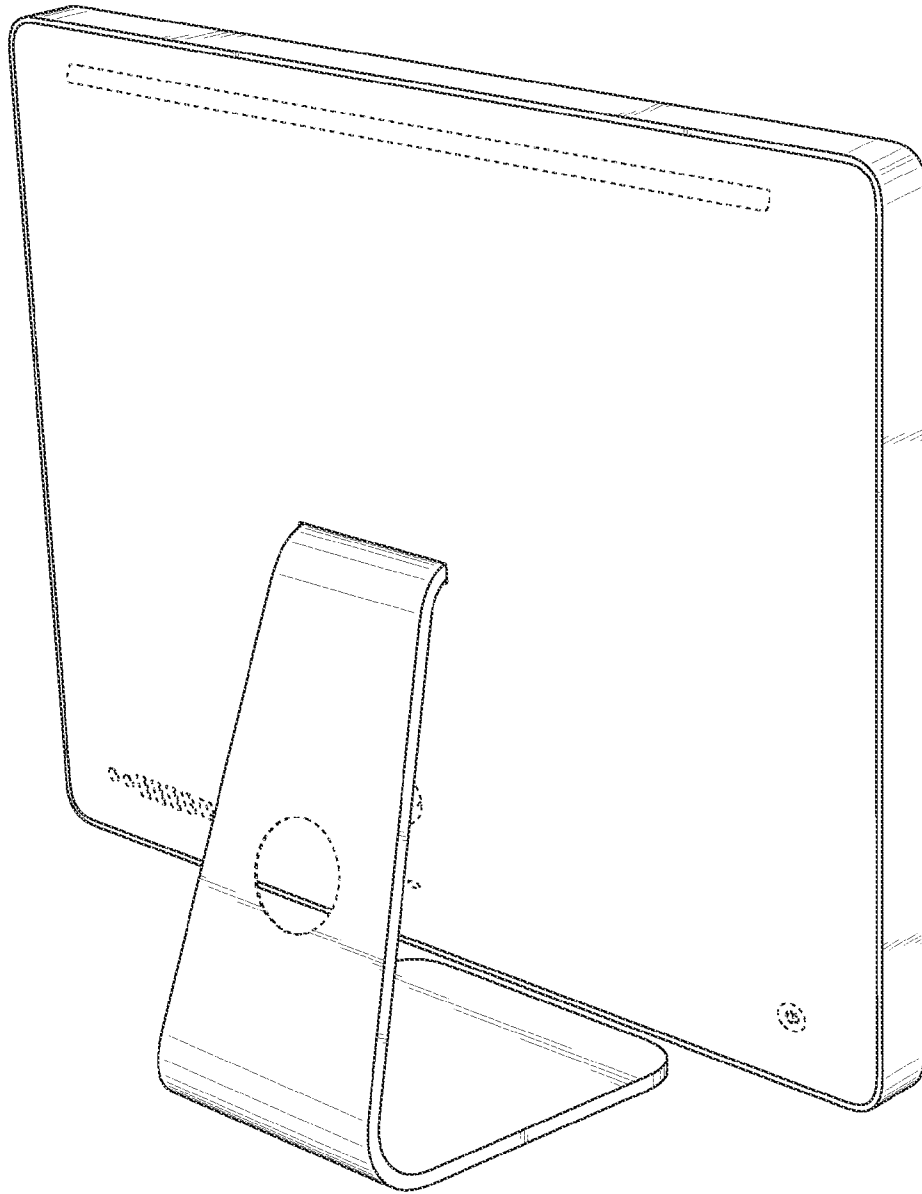


Fig. 17

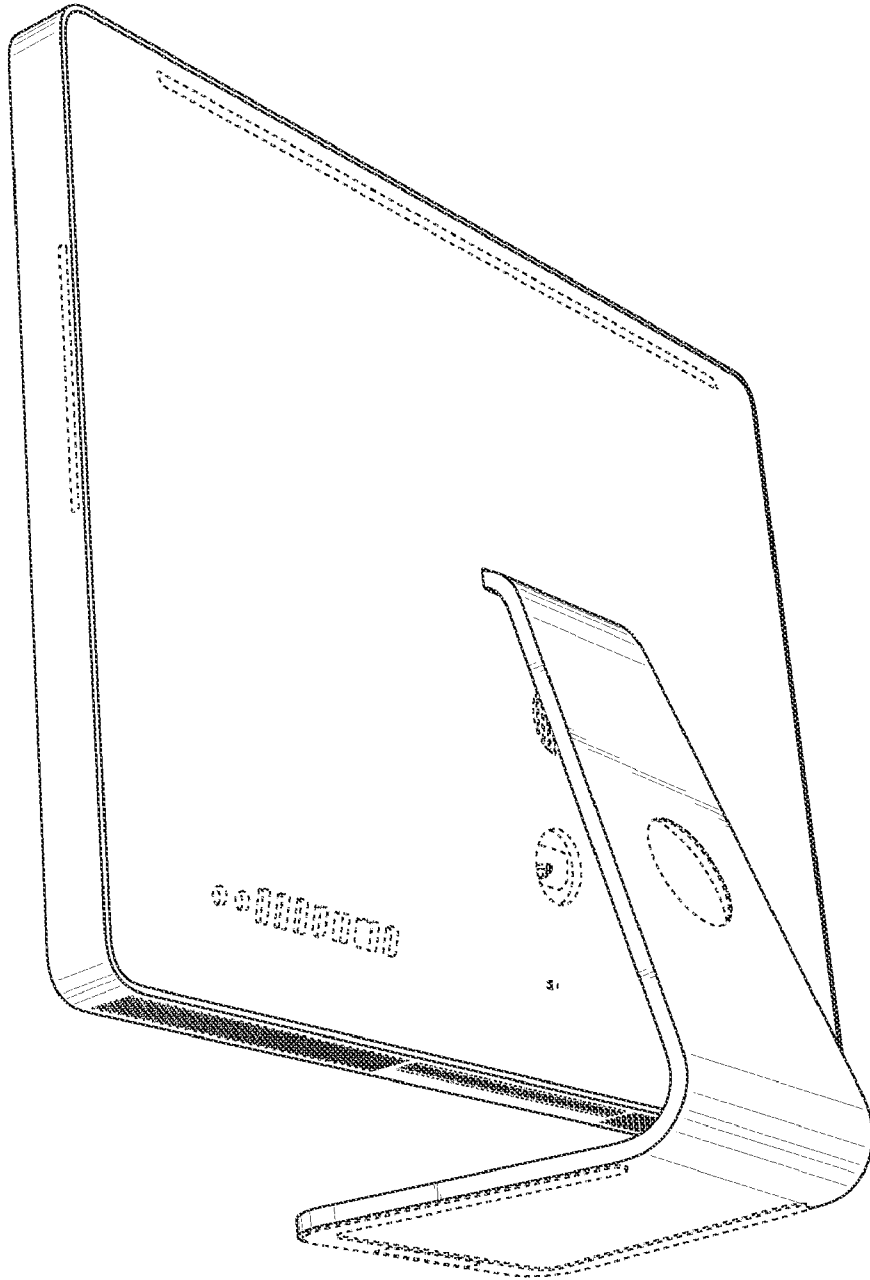


Fig. 18