

(19) World Intellectual Property
Organization
International Bureau



(43) International Publication Date
24 March 2005 (24.03.2005)

PCT

(10) International Publication Number
WO 2005/025549 A3

(51) International Patent Classification⁷: A61K 9/70,
31/00, A61F 13/00

(21) International Application Number:
PCT/US2004/029789

(22) International Filing Date:
10 September 2004 (10.09.2004)

(25) Filing Language: English

(26) Publication Language: English

(30) Priority Data:
60/501,709 10 September 2003 (10.09.2003) US

(71) Applicant (for all designated States except US): NOVEN
PHARMACEUTICALS, INC. [US/US]; 11960 SW
144th Street, Miami, FL 33186 (US).

(72) Inventor; and

(75) Inventor/Applicant (for US only): STRAUSS, Robert, C.
[US/US]; 11960 SW 144th Street, Miami, FL 33186 (US).

(74) Agents: OLDHAM, Scott, M. et al.; Hahn Loeser &
Parks, LLP, One GOJO Plaza, Suite 300, Akron, OH
44311-1076 (US).

(81) Designated States (unless otherwise indicated, for every
kind of national protection available): AE, AG, AL, AM,

AT, AU, AZ, BA, BB, BG, BR, BW, BY, BZ, CA, CH, CN,
CO, CR, CU, CZ, DE, DK, DM, DZ, EC, EE, EG, ES, FI,
GB, GD, GE, GH, GM, HR, HU, ID, IL, IN, IS, JP, KE,
KG, KP, KR, KZ, LC, LK, LR, LS, LT, LU, LV, MA, MD,
MG, MK, MN, MW, MX, MZ, NA, NI, NO, NZ, OM, PG,
PH, PL, PT, RO, RU, SC, SD, SE, SG, SK, SL, SY, TJ, TM,
TN, TR, TT, TZ, UA, UG, US, UZ, VC, VN, YU, ZA, ZM,
ZW.

(84) Designated States (unless otherwise indicated, for every
kind of regional protection available): ARIPO (BW, GH,
GM, KE, LS, MW, MZ, NA, SD, SL, SZ, TZ, UG, ZM,
ZW), Eurasian (AM, AZ, BY, KG, KZ, MD, RU, TJ, TM),
European (AT, BE, BG, CH, CY, CZ, DE, DK, EE, ES, FI,
FR, GB, GR, HU, IE, IT, LU, MC, NL, PL, PT, RO, SE, SI,
SK, TR), OAPI (BF, BJ, CF, CG, CI, CM, GA, GN, GQ,
GW, ML, MR, NE, SN, TD, TG).

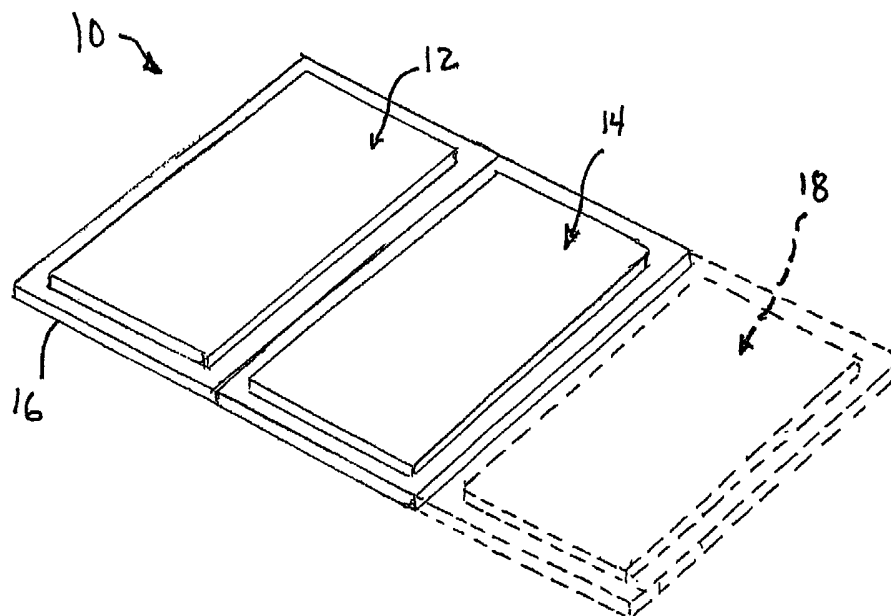
Published:

- with international search report
- before the expiration of the time limit for amending the
claims and to be republished in the event of receipt of
amendments

(88) Date of publication of the international search report:
26 May 2005

[Continued on next page]

(54) Title: MULTI-LAYER TRANSDERMAL DRUG DELIVERY DEVICE



(57) Abstract: A drug delivery device initially having two adhesive layers containing at least one active agent in each layer are kept separate from each other prior to administration of the active agent. At the time of administration, the separated layers are combined to form a dual layer adhesive transdermal drug delivery device which results in the administration of the at least one active compound after topical application of the device.

WO 2005/025549 A3



For two-letter codes and other abbreviations, refer to the "Guidance Notes on Codes and Abbreviations" appearing at the beginning of each regular issue of the PCT Gazette.

INTERNATIONAL SEARCH REPORT

International Application No
PCT/US2004/029789

A. CLASSIFICATION OF SUBJECT MATTER
IPC 7 A61K9/70 A61K31/00 A61F13/00

According to International Patent Classification (IPC) or to both national classification and IPC

B. FIELDS SEARCHED

Minimum documentation searched (classification system followed by classification symbols)
IPC 7 A61K A61F

Documentation searched other than minimum documentation to the extent that such documents are included in the fields searched

Electronic data base consulted during the international search (name of data base and, where practical, search terms used)

EPO-Internal, WPI Data

C. DOCUMENTS CONSIDERED TO BE RELEVANT

Category °	Citation of document, with indication, where appropriate, of the relevant passages	Relevant to claim No.
X,Y	WO 91/03998 A (CYGNUS RESEARCH CORPORATION) 4 April 1991 (1991-04-04) the whole document page 2, lines 2-34 examples claims 1-14 figures 2-4 ----- -/--	1-16

Further documents are listed in the continuation of box C.

Patent family members are listed in annex.

° Special categories of cited documents :

- *A* document defining the general state of the art which is not considered to be of particular relevance
- *E* earlier document but published on or after the international filing date
- *L* document which may throw doubts on priority claim(s) or which is cited to establish the publication date of another citation or other special reason (as specified)
- *O* document referring to an oral disclosure, use, exhibition or other means
- *P* document published prior to the international filing date but later than the priority date claimed

- *T* later document published after the international filing date or priority date and not in conflict with the application but cited to understand the principle or theory underlying the invention
- *X* document of particular relevance; the claimed invention cannot be considered novel or cannot be considered to involve an inventive step when the document is taken alone
- *Y* document of particular relevance; the claimed invention cannot be considered to involve an inventive step when the document is combined with one or more other such documents, such combination being obvious to a person skilled in the art.
- * & * document member of the same patent family

Date of the actual completion of the international search

23 March 2005

Date of mailing of the international search report

06/04/2005

Name and mailing address of the ISA

European Patent Office, P.B. 5818 Patentlaan 2
NL - 2280 HV Rijswijk
Tel. (+31-70) 340-2040, Tx. 31 651 epo nl,
Fax: (+31-70) 340-3016

Authorized officer

Luangkhot, N

INTERNATIONAL SEARCH REPORT

 International Application No
 PCT/US2004/029789

C.(Continuation) DOCUMENTS CONSIDERED TO BE RELEVANT

Category °	Citation of document, with indication, where appropriate, of the relevant passages	Relevant to claim No.
X,Y	WO 01/26705 A (SAMYANG CORPORATION; CHOI, YOUNG, KWEON; YU, HYUN, SUK; YOON, HYE, JEO) 19 April 2001 (2001-04-19) the whole document page 1, lines 5-10 page 6, line 1 - page 7, line 25 page 11, line 16 - page 12, line 19 page 14, line 12 - page 15, line 5 page 16, lines 8-24 page 18, lines 23-25 page 20, lines 13-24 claims 1-17 figures 1,2	1-16
X,Y	----- US 4 911 707 A (HEIBER ET AL) 27 March 1990 (1990-03-27) the whole document figures 1-3 column 1, lines 9-21 column 3, lines 8-20 claims 1,11 -----	1-16

INTERNATIONAL SEARCH REPORT

International application No.
PCT/US2004/029789

Box II Observations where certain claims were found unsearchable (Continuation of item 2 of first sheet)

This International Search Report has not been established in respect of certain claims under Article 17(2)(a) for the following reasons:

1. Claims Nos.: _____
because they relate to subject matter not required to be searched by this Authority, namely:

Although claim 16 is directed to a method of treatment of the human/animal body, the search has been carried out and based on the alleged effects of the compound/composition.
2. Claims Nos.: _____
because they relate to parts of the International Application that do not comply with the prescribed requirements to such an extent that no meaningful International Search can be carried out, specifically:
3. Claims Nos.: _____
because they are dependent claims and are not drafted in accordance with the second and third sentences of Rule 6.4(a).

Box III Observations where unity of invention is lacking (Continuation of item 3 of first sheet)

This International Searching Authority found multiple inventions in this international application, as follows:

1. As all required additional search fees were timely paid by the applicant, this International Search Report covers all searchable claims.
2. As all searchable claims could be searched without effort justifying an additional fee, this Authority did not invite payment of any additional fee.
3. As only some of the required additional search fees were timely paid by the applicant, this International Search Report covers only those claims for which fees were paid, specifically claims Nos.:
4. No required additional search fees were timely paid by the applicant. Consequently, this International Search Report is restricted to the invention first mentioned in the claims; it is covered by claims Nos.:

Remark on Protest

- The additional search fees were accompanied by the applicant's protest.
- No protest accompanied the payment of additional search fees.

INTERNATIONAL SEARCH REPORT

Information on patent family members

International Application No
PCT/US2004/029789

Patent document cited in search report	A	Publication date		Patent family member(s)	Publication date
WO 9103998	A	04-04-1991		AU 650851 B2	07-07-1994
				AU 6515390 A	18-04-1991
				CA 2065403 A1	15-03-1991
				EP 0491853 A1	01-07-1992
				FI 921121 A	16-03-1992
				JP 2605183 B2	30-04-1997
				JP 5500511 T	04-02-1993
				NO 920970 A	26-03-1992
				WO 9103998 A1	04-04-1991
				US 5271940 A	21-12-1993
			WO 0126705	A	19-04-2001
	AU 7691300 A	23-04-2001			
	CN 1378471 A	06-11-2002			
	EP 1225951 A2	31-07-2002			
	JP 2003511425 T	25-03-2003			
	WO 0126705 A2	19-04-2001			
	KR 2002038808 A	23-05-2002			
	US 6791003 B1	14-09-2004			
US 4911707	A	27-03-1990		AT 92774 T	15-08-1993
				AU 614728 B2	12-09-1991
				AU 8145487 A	26-05-1988
				CA 1305384 C	21-07-1992
				DE 3786998 D1	16-09-1993
				DK 606987 A	21-05-1988
				EP 0273004 A2	29-06-1988
				FI 875098 A	21-05-1988
				IE 873120 L	20-05-1988
				JP 1085912 A	30-03-1989
				JP 2567429 B2	25-12-1996
				NO 874824 A	24-05-1988
				PT 86138 A ,B	15-12-1988