

(19) World Intellectual Property Organization
International Bureau



(43) International Publication Date
26 May 2006 (26.05.2006)

PCT

(10) International Publication Number
WO 2006/054969 A3

(51) International Patent Classification:

F21V 9/00 (2006.01) B60Q 1/06 (2006.01)
F21V 1/00 (2006.01) F21S 4/00 (2006.01)

(21) International Application Number:

PCT/US2004/037829

(22) International Filing Date:

12 November 2004 (12.11.2004)

(25) Filing Language:

English

(26) Publication Language:

English

(71) Applicant and

(72) Inventor: WATERS, Ryan [US/US]; 16505 LaCantera
Parkway #123, San Antonio, TX 78256 (US).

(74) Agent: EVANS, Michelle, L.; Gunn & Lee, P.C., 700 N.
St. Mary's, Suite 1500, San Antonio, TX 78205 (US).

(81) Designated States (unless otherwise indicated, for every
kind of national protection available): AE, AG, AL, AM,
AT, AU, AZ, BA, BB, BG, BR, BW, BY, BZ, CA, CH, CN,
CO, CR, CU, CZ, DE, DK, DM, DZ, EC, EE, EG, ES, FI,
GB, GD, GE, GH, GM, HR, HU, ID, IL, IN, IS, JP, KE,

KG, KP, KR, KZ, LC, LK, LR, LS, LT, LU, LV, MA, MD,
MG, MK, MN, MW, MX, MZ, NA, NI, NO, NZ, OM, PG,
PH, PL, PT, RO, RU, SC, SD, SE, SG, SK, SL, SY, TJ, TM,
TN, TR, TT, TZ, UA, UG, US, UZ, VC, VN, YU, ZA, ZM,
ZW.

(84) Designated States (unless otherwise indicated, for every
kind of regional protection available): ARIPO (BW, GH,
GM, KE, LS, MW, MZ, NA, SD, SL, SZ, TZ, UG, ZM,
ZW), Eurasian (AM, AZ, BY, KG, KZ, MD, RU, TJ, TM),
European (AT, BE, BG, CH, CY, CZ, DE, DK, EE, ES, FI,
FR, GB, GR, HU, IE, IS, IT, LU, MC, NL, PL, PT, RO, SE,
SI, SK, TR), OAPI (BF, BJ, CF, CG, CI, CM, GA, GN, GQ,
GW, ML, MR, NE, SN, TD, TG).

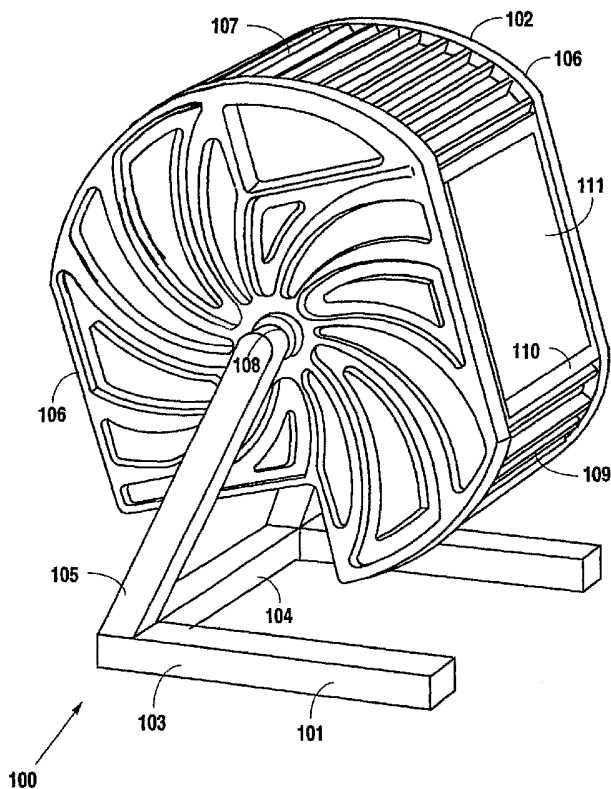
Published:

- with international search report
- before the expiration of the time limit for amending the
claims and to be republished in the event of receipt of
amendments

(88) Date of publication of the international search report:
8 September 2006

[Continued on next page]

(54) Title: LED LIGHT APPARATUS AND METHODOLOGY



(57) Abstract: An LED light apparatus and methodology that can produce a collinear beam of light. The apparatus has a housing (102) with three sets of LED light assemblies (132, 133, and 134) each having several LED lights of the same color, being red, blue or green. Adichroic bandpass filter (116) and a dichroic notch filter (115) are incorporated along with a power supply. In one embodiment both filters intersect forming an x-pattern. Red light passes through both filters. The resulting light from the band pass filter combines with blue light and passes through the notch filter. This combined light stream then combines with green light to form a collinear beam of white or colored light.

WO 2006/054969 A3



For two-letter codes and other abbreviations, refer to the "Guidance Notes on Codes and Abbreviations" appearing at the beginning of each regular issue of the PCT Gazette.

INTERNATIONAL SEARCH REPORT

International application No.

PCT/US04/37829

A. CLASSIFICATION OF SUBJECT MATTER

IPC(7) : F21V 9/00,1/00; B60Q 1/06; F21S 4/00
 US CL : 362/231,240,293,373,800

According to International Patent Classification (IPC) or to both national classification and IPC

B. FIELDS SEARCHED

Minimum documentation searched (classification system followed by classification symbols)
 U.S. : 362/231,240,293,373,800

Documentation searched other than minimum documentation to the extent that such documents are included in the fields searched
 N/A

Electronic data base consulted during the international search (name of data base and, where practicable, search terms used)
 EAST: USPAT, USPGPUB, JP, EP, and Derwent

C. DOCUMENTS CONSIDERED TO BE RELEVANT

Category *	Citation of document, with indication, where appropriate, of the relevant passages	Relevant to claim No.
A	US 6,682,207 B2 (Weber et al) 27 January 2004, entire document	

Further documents are listed in the continuation of Box C.

See patent family annex.

* Special categories of cited documents:		
"A"	document defining the general state of the art which is not considered to be of particular relevance	"T" later document published after the international filing date or priority date and not in conflict with the application but cited to understand the principle or theory underlying the invention
"E"	earlier application or patent published on or after the international filing date	"X" document of particular relevance; the claimed invention cannot be considered novel or cannot be considered to involve an inventive step when the document is taken alone
"L"	document which may throw doubts on priority claim(s) or which is cited to establish the publication date of another citation or other special reason (as specified)	"Y" document of particular relevance; the claimed invention cannot be considered to involve an inventive step when the document is combined with one or more other such documents, such combination being obvious to a person skilled in the art
"O"	document referring to an oral disclosure, use, exhibition or other means	
"P"	document published prior to the international filing date but later than the priority date claimed	"&" document member of the same patent family

Date of the actual completion of the international search

04 February 2006 (04.02.2006)

Date of mailing of the international search report

17 JUL 2006

Name and mailing address of the ISA/US

Mail Stop PCT, Attn: ISA/US
 Commissioner of Patents
 P.O. Box 1450
 Alexandria, Virginia 22313-1450

Facsimile No. (571) 273-3201

Authorized officer

Sandra O'Shea *Sandra O'Shea*

Telephone No. (703) 308-7382