



US00D790011S

(12) **United States Design Patent**
Zhou

(10) **Patent No.:** **US D790,011 S**

(45) **Date of Patent:** **** Jun. 20, 2017**

(54) **EXERCISE PLATFORM WITH TWO ARMS**

(71) Applicant: **Xiamen Zhoulong Sporting Goods Co., Ltd.**, Fujian Province (CN)

(72) Inventor: **Yuzhi Zhou**, Fujian Province (CN)

(**) Term: **15 Years**

(21) Appl. No.: **29/539,444**

(22) Filed: **Sep. 15, 2015**

(30) **Foreign Application Priority Data**

May 15, 2015 (CN) 2015 3 0145757

(51) **LOC (10) Cl.** **21-02**

(52) **U.S. Cl.**
USPC **D21/687**

(58) **Field of Classification Search**
USPC 482/142, 122, 115, 108, 145, 140, 105,
482/111, 123, 121, 126, 144, 143, 148,
(Continued)

(56) **References Cited**

U.S. PATENT DOCUMENTS

D379,836 S * 6/1997 Chen D21/691

D380,517 S * 7/1997 Ho D21/691

(Continued)

Primary Examiner — Robert M Spear

Assistant Examiner — Ryan Harvey

(74) *Attorney, Agent, or Firm* — Prakash Nama; Global IP Services, PLLC

(57) **CLAIM**

The ornamental design for an exercise platform with two arms, as shown and described.

DESCRIPTION

FIG. 1 is a front elevational view of an exercise platform with two arms showing my new design;

FIG. 2 is an enlarged detail view of portion a shown in FIG. 1;

FIG. 3 is an enlarged detail view of portion B shown in FIG. 1;

FIG. 4 is a rear elevational view thereof;

FIG. 5 is an enlarged detail view of portion C shown in FIG. 4;

FIG. 6 is an enlarged detail view of portion D shown in FIG. 4;

FIG. 7 is a left side view thereof;

FIG. 8 is an enlarged detail view of portion E shown in FIG. 7;

FIG. 9 is an enlarged detail view of portion F shown in FIG. 7;

FIG. 10 is a right side view thereof;

FIG. 11 is an enlarged detail view of portion G shown in FIG. 10;

FIG. 12 is an enlarged detail view of portion H shown in FIG. 10;

FIG. 13 is a top plan view thereof;

FIG. 14 is an enlarged detail view of portion I shown in FIG. 13;

FIG. 15 is an enlarged detail view of portion J shown in FIG. 13;

FIG. 16 is a bottom plan view thereof;

FIG. 17 is an enlarged detail view of portion K shown in FIG. 16;

FIG. 18 is an enlarged detail view of portion L shown in FIG. 16;

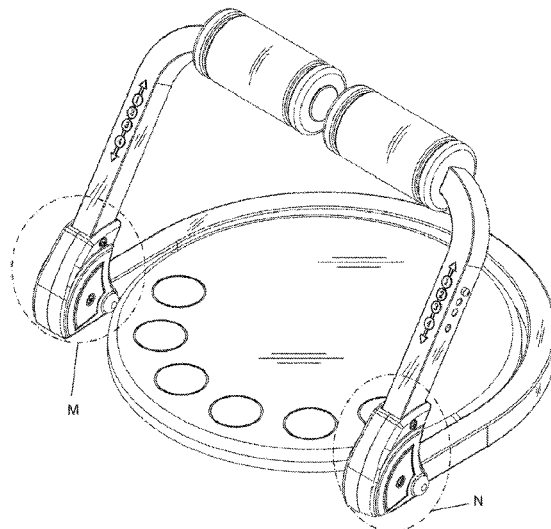
FIG. 19 is a perspective view thereof;

FIG. 20 is an enlarged detail view of portion M shown in FIG. 19; and,

FIG. 21 is an enlarged detail view of portion N shown in FIG. 19.

The broken lines in the drawings form no part of the claimed design.

1 Claim, 16 Drawing Sheets



US D790,011 S

Page 2

(58) **Field of Classification Search**

USPC 482/106, 130, 129, 132, 96, 131, 133,
482/124, 110, 127, 72, 147, 51, 71, 139,
482/97, 92, 137, 98, 1, 907, 95, 112;
206/315.1, 45.2; D21/687, 662, 690, 676,
D21/423, 691, 686; 273/449; 472/103;
297/259.1, 16.1, 175, 445.1, 353;
446/482; 607/48, 149, 77, 148; 140/121,
140/122, 123, 124, 90; 601/24;
D24/190; D6/601
CPC A63B 23/0211; A63B 21/0552; A63B
2208/0233; A63B 21/1492; A63B
2208/0204

See application file for complete search history.

(56) **References Cited**

U.S. PATENT DOCUMENTS

D381,378 S * 7/1997 Colonello D21/687
D384,379 S * 9/1997 Lin D21/687
D385,929 S * 11/1997 Mishan D21/687
D385,930 S * 11/1997 Chen D21/687
5,725,463 A * 3/1998 Colonello A63B 23/0211
482/131
5,728,035 A * 3/1998 Sands A63B 21/4047
482/132

D395,684 S * 6/1998 Olschansky D21/662
5,772,563 A * 6/1998 Lin A63B 23/0211
482/121
5,779,607 A * 7/1998 Harris A63B 21/0004
482/131
D400,953 S * 11/1998 Huang D21/687
5,853,357 A * 12/1998 Jones, Jr. A63B 23/0211
482/131
D404,432 S * 1/1999 Sands D21/662
5,863,280 A * 1/1999 Wang A63B 21/154
482/140
5,882,284 A * 3/1999 Cayne A63B 23/0211
482/123
5,941,806 A * 8/1999 Olschansky A63B 23/0222
482/132
D413,948 S * 9/1999 Dalebout D21/662
6,117,057 A * 9/2000 Olschansky A63B 23/0222
482/140
D496,701 S * 9/2004 Chung D21/662
D613,804 S * 4/2010 Perez D21/691
7,794,378 B2 * 9/2010 Splane, Jr. A63B 21/02
482/142
D641,434 S * 7/2011 Khubani D21/676
D659,207 S * 5/2012 Brown D21/687
2012/0065038 A1 * 3/2012 Nayebdadash A63B 23/0227
482/140
2014/0364288 A1 * 12/2014 Chuang A63B 21/00069
482/122

* cited by examiner

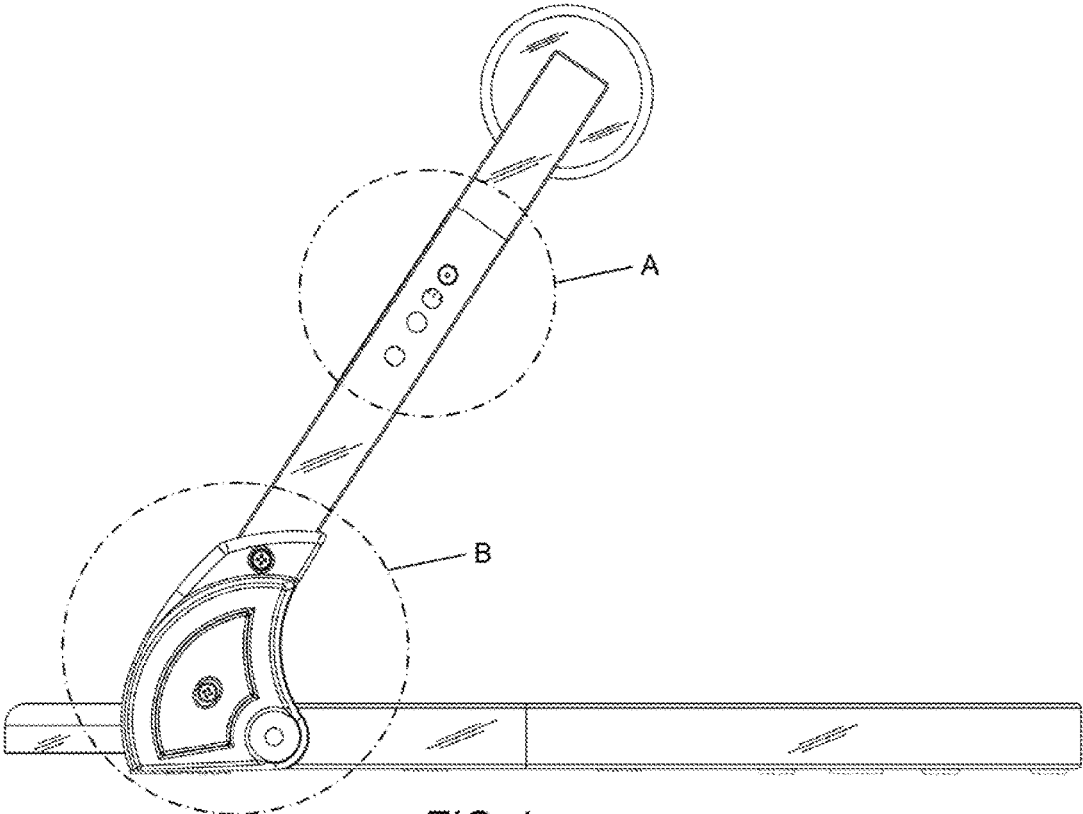


FIG. 1

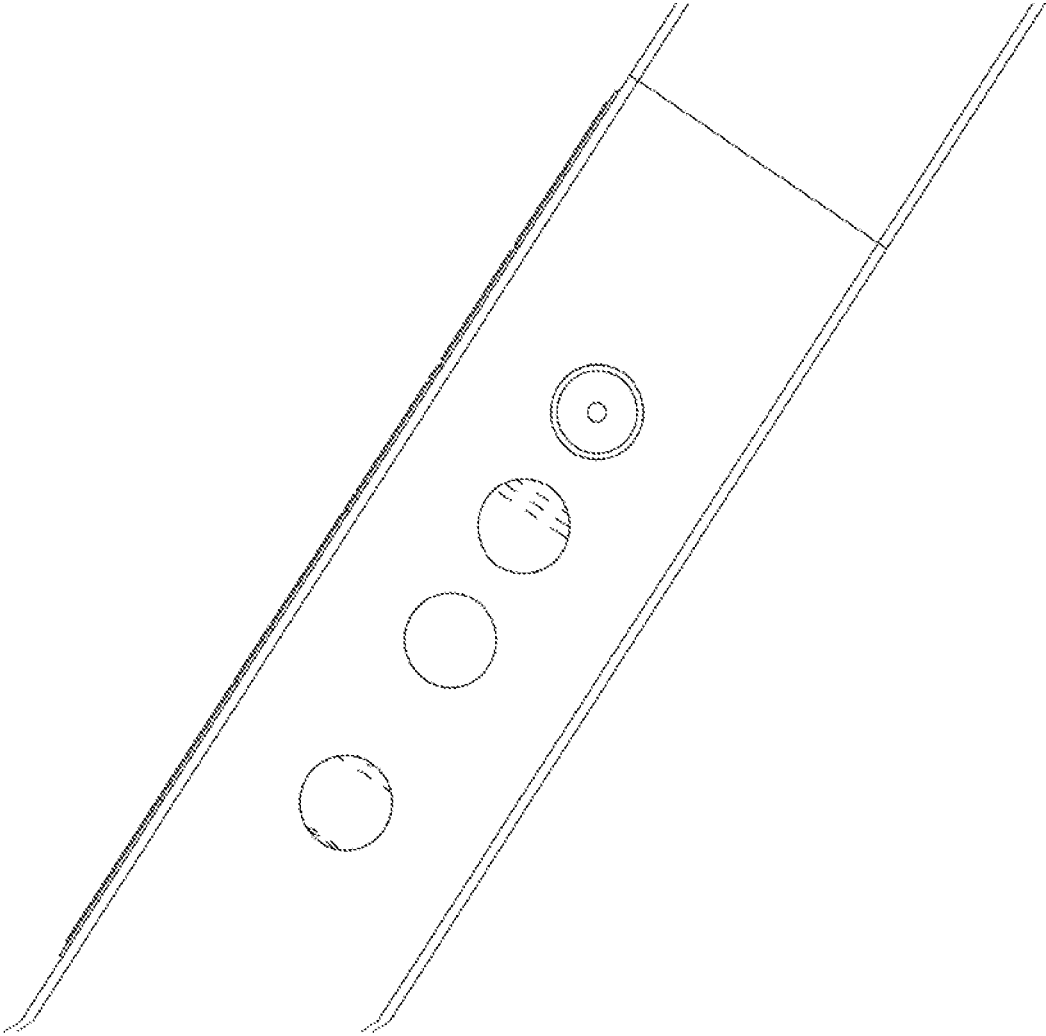


FIG. 2

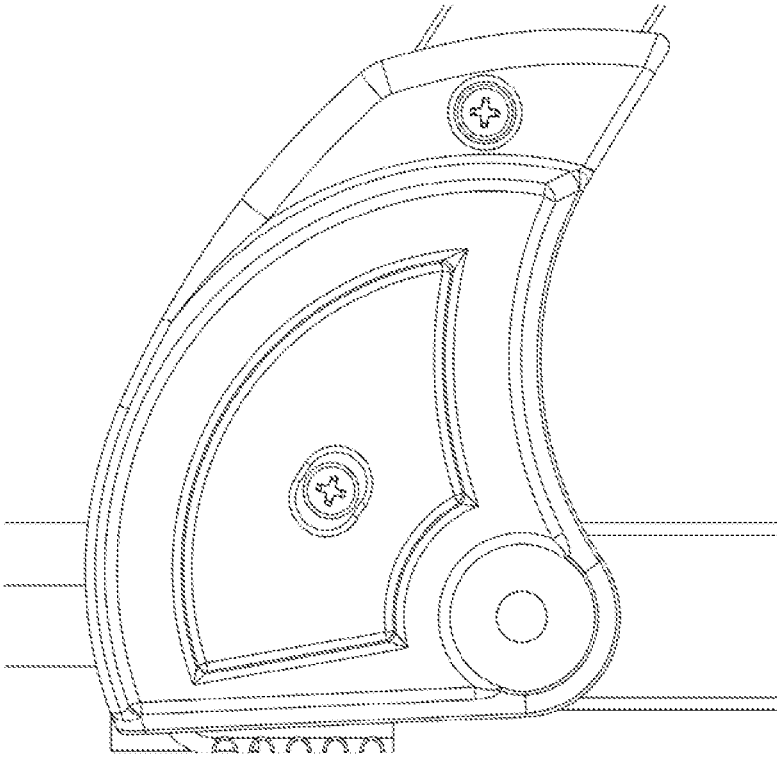


FIG. 3

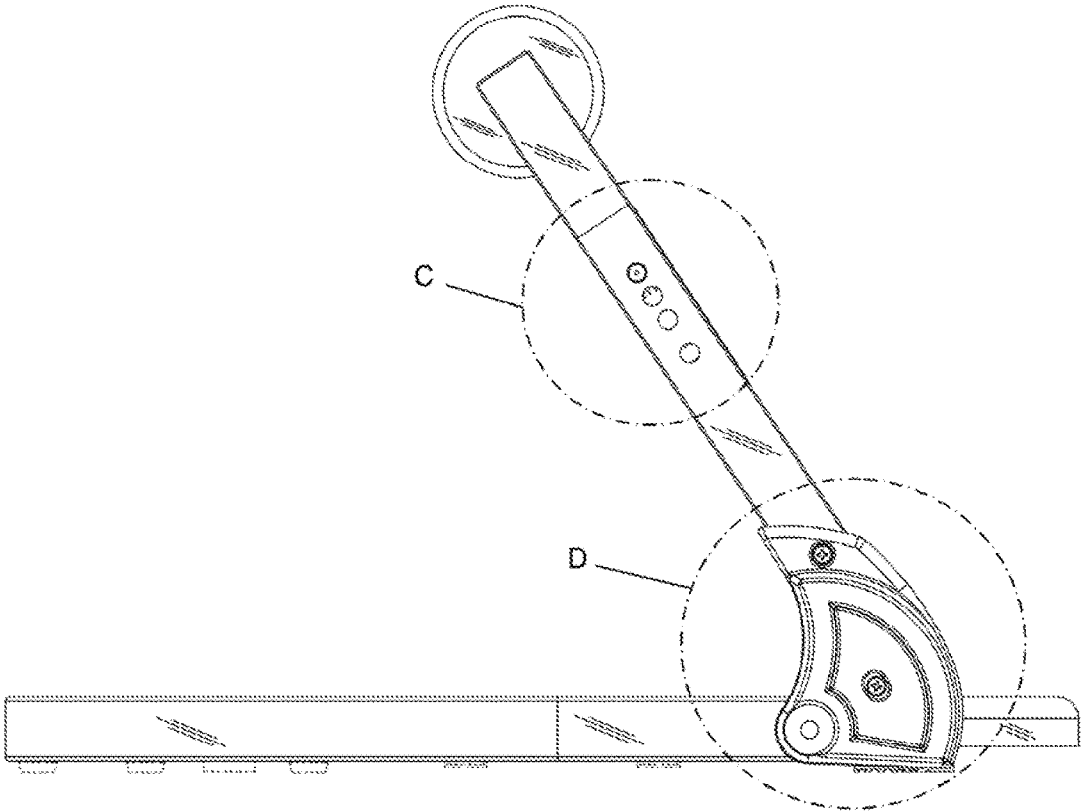


FIG. 4

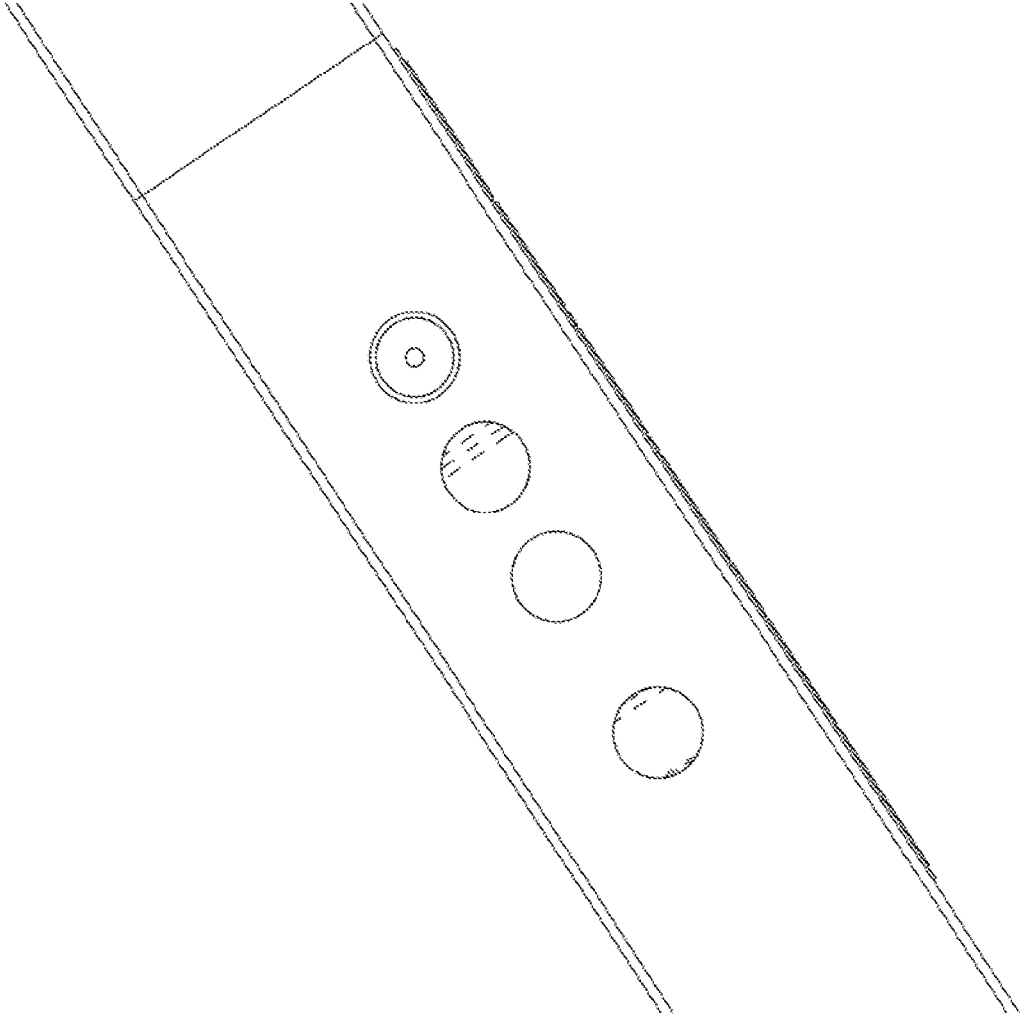


FIG. 5

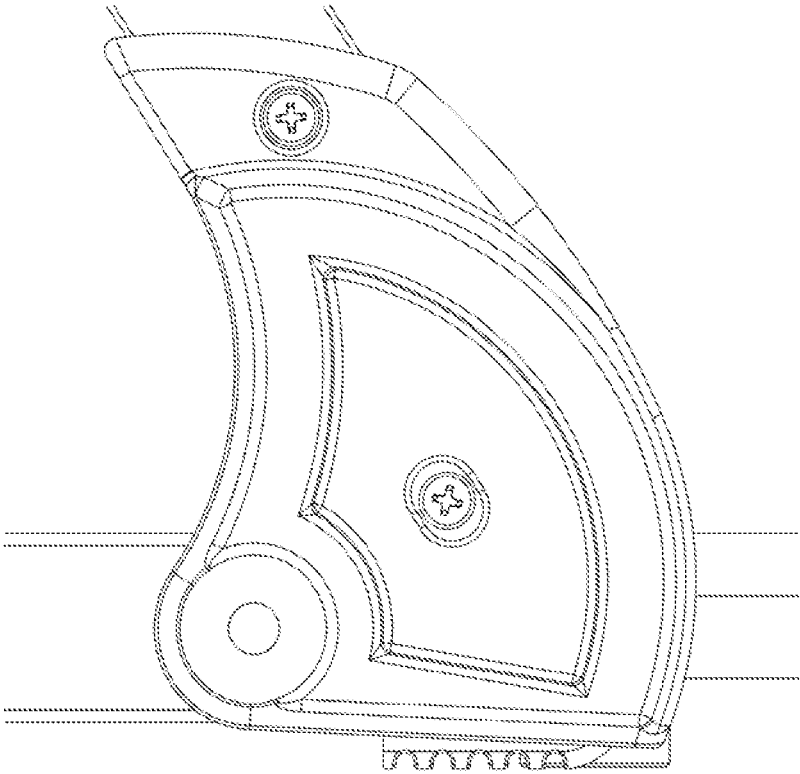


FIG. 6

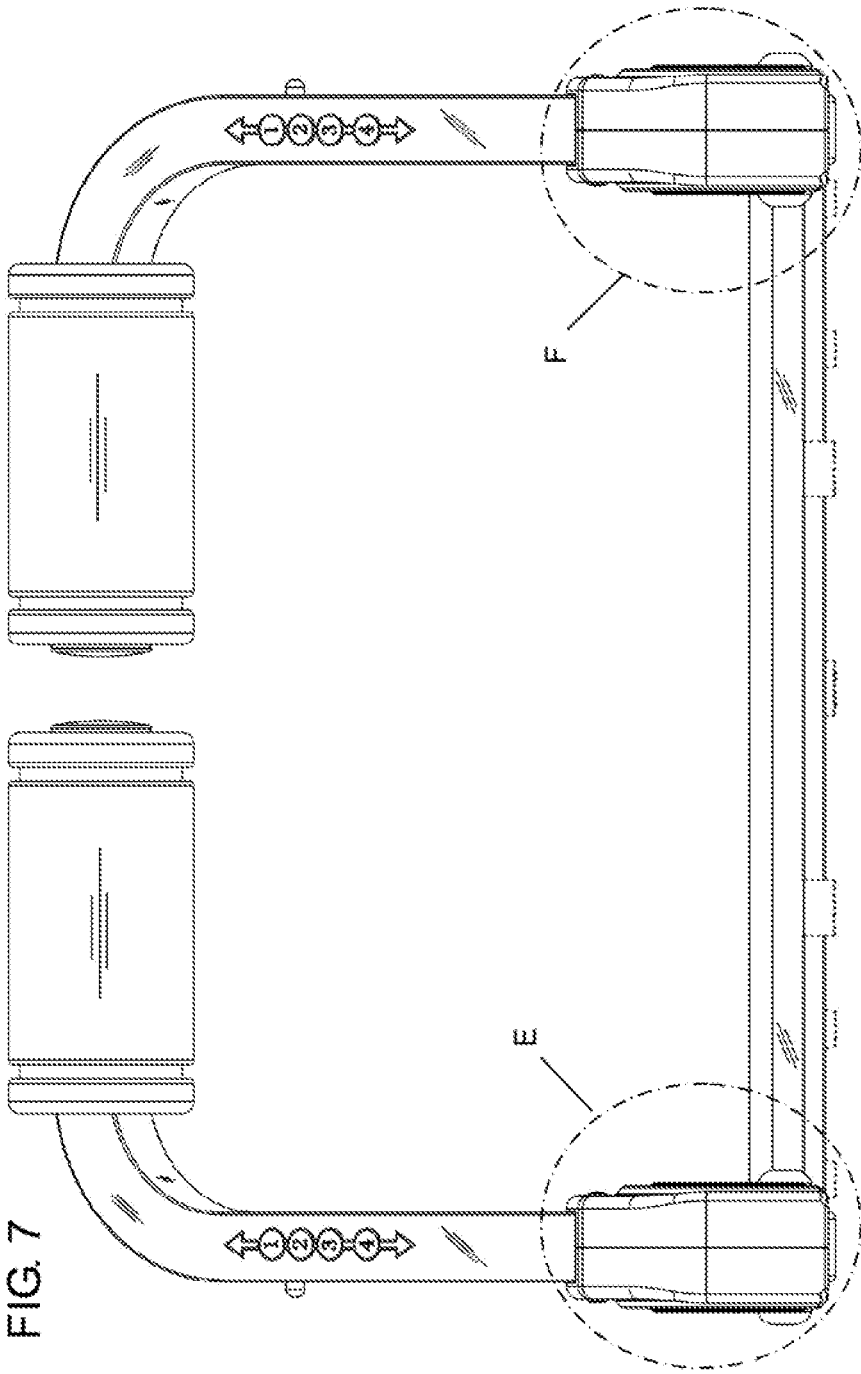


FIG. 7

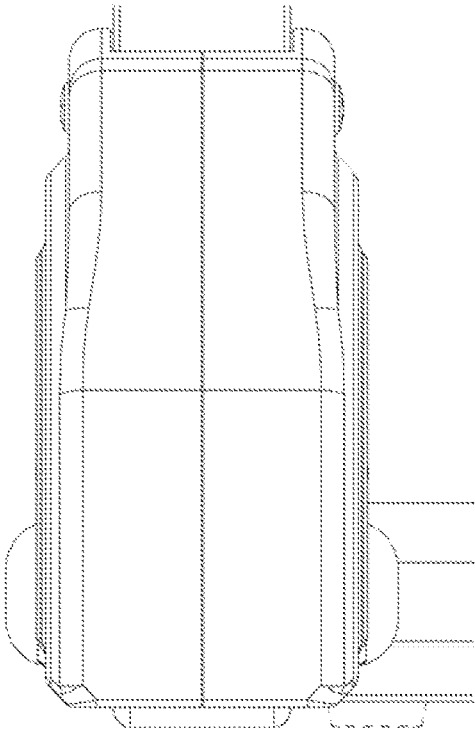


FIG. 8

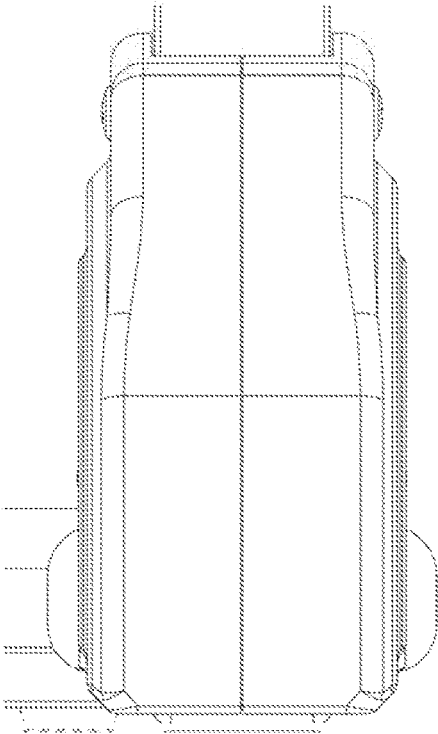


FIG. 9

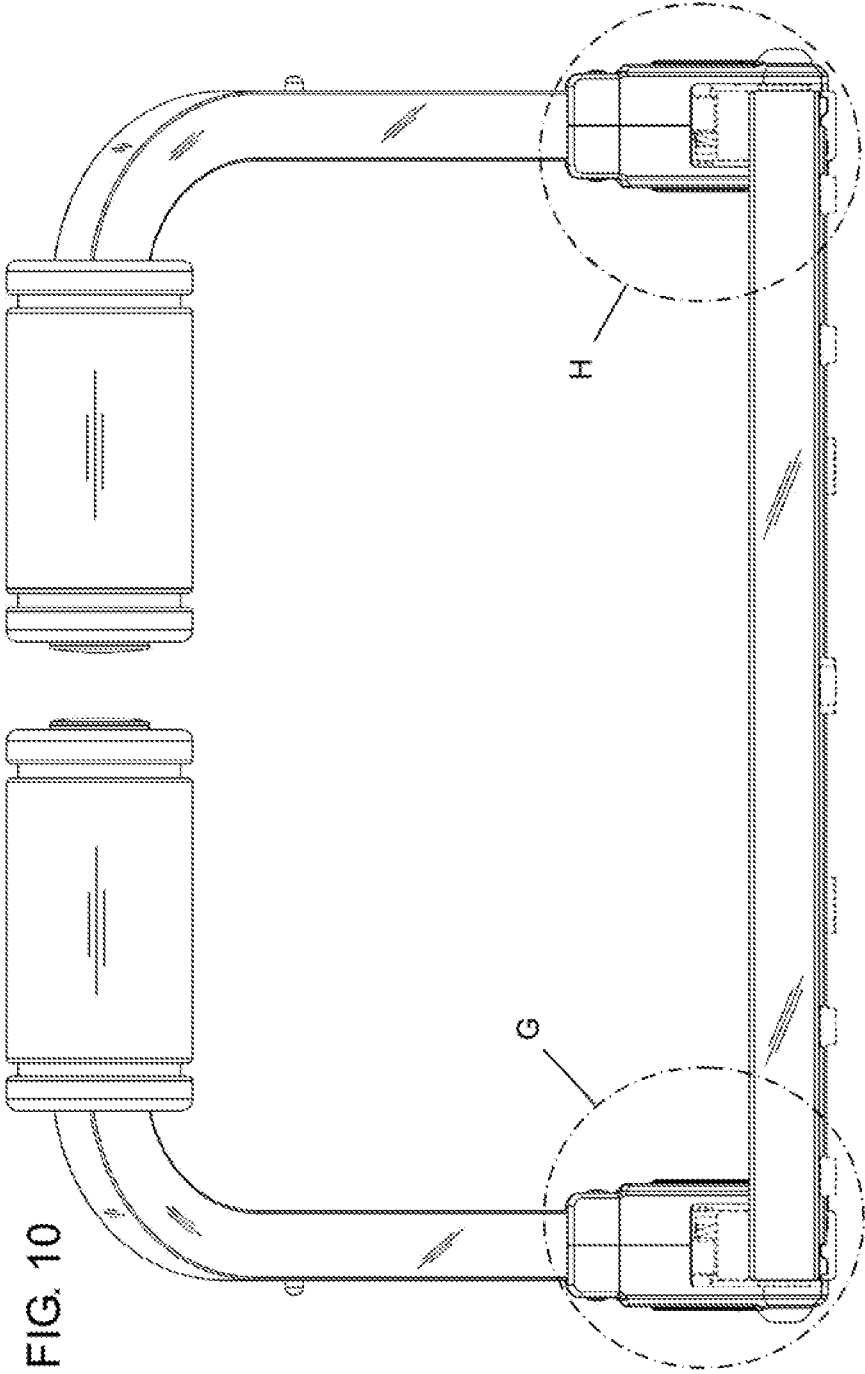


FIG. 10

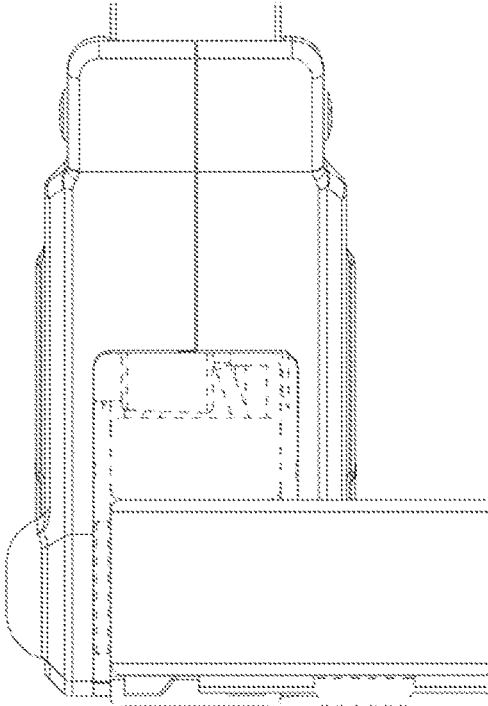


FIG. 11

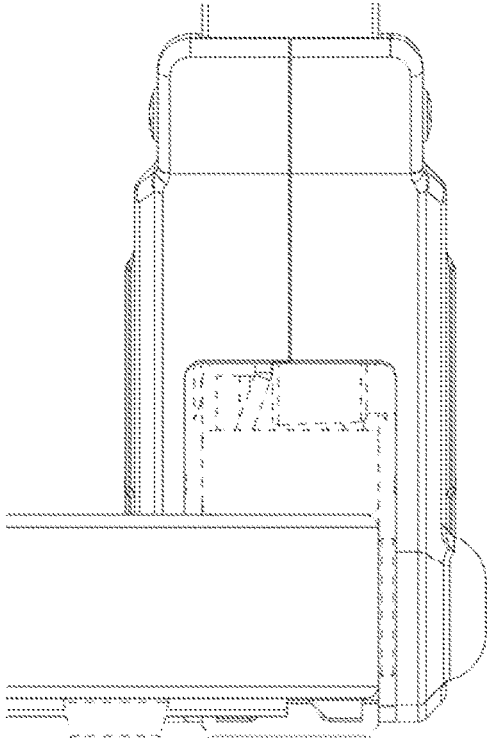


FIG. 12

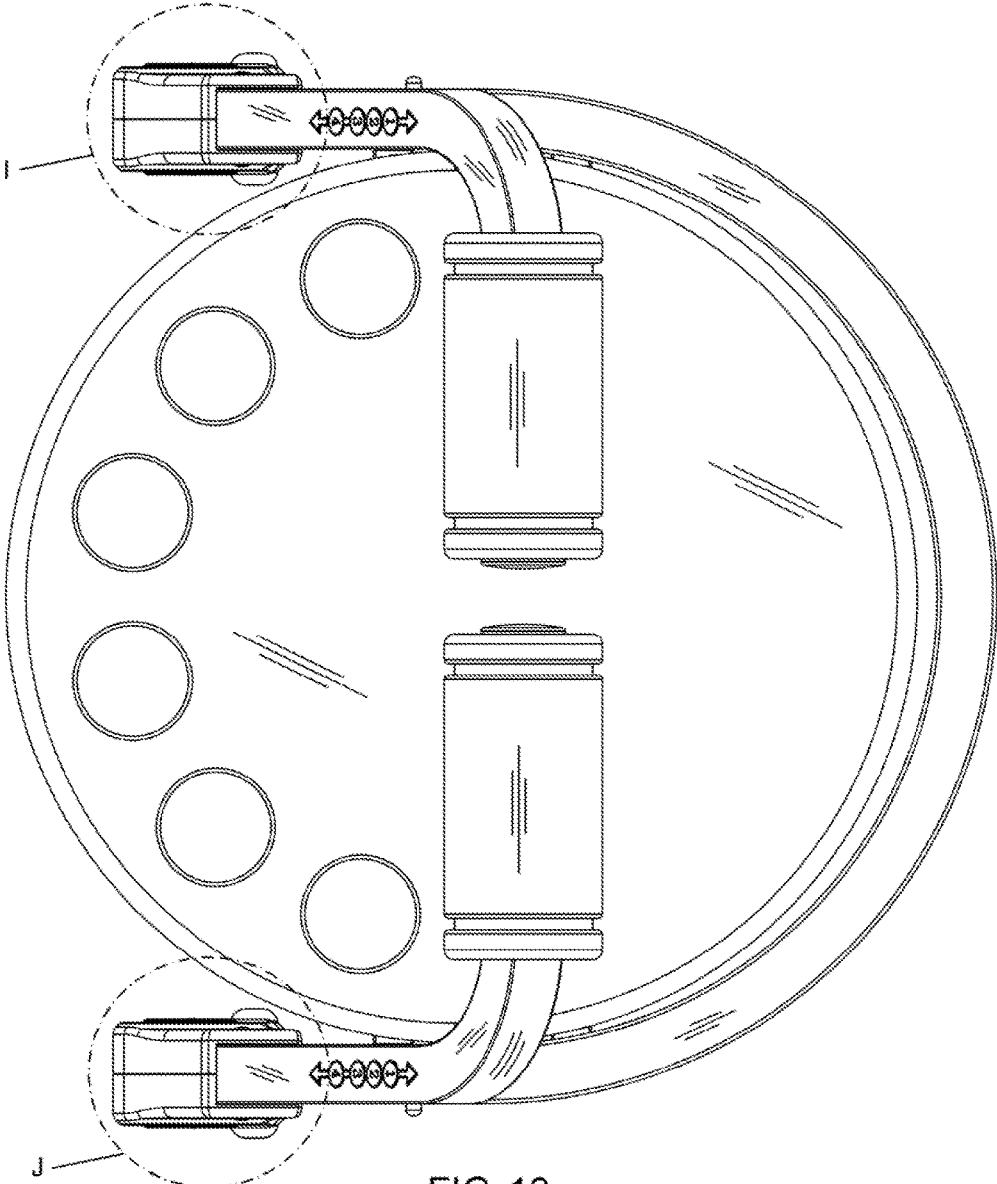


FIG. 13

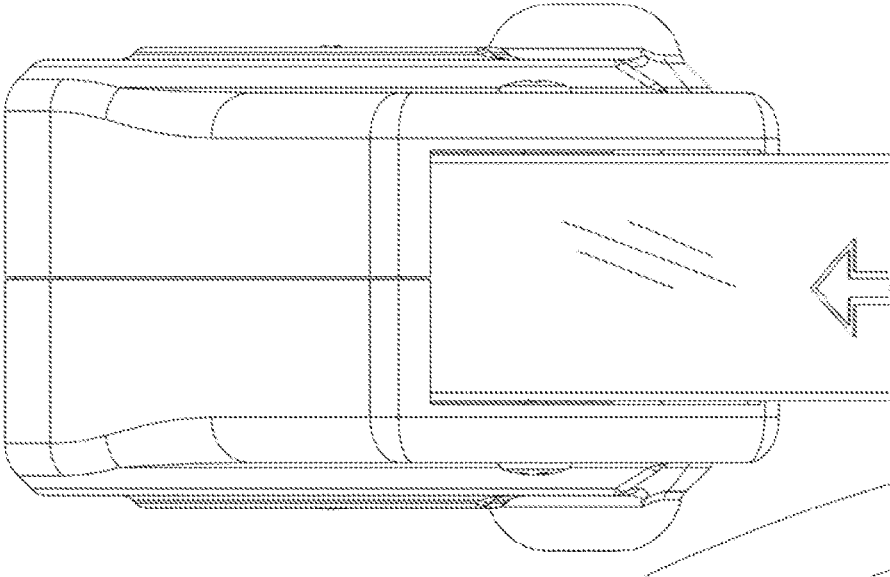


FIG. 14

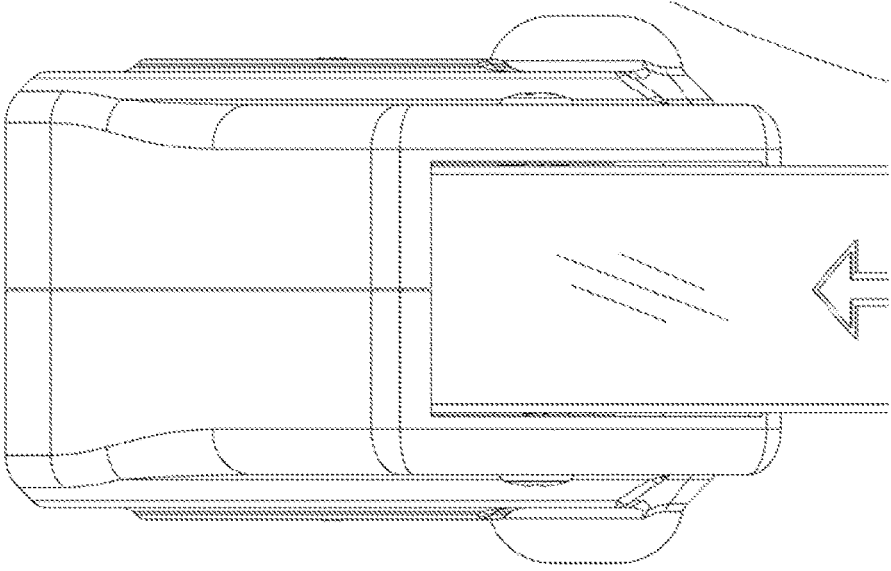


FIG. 15

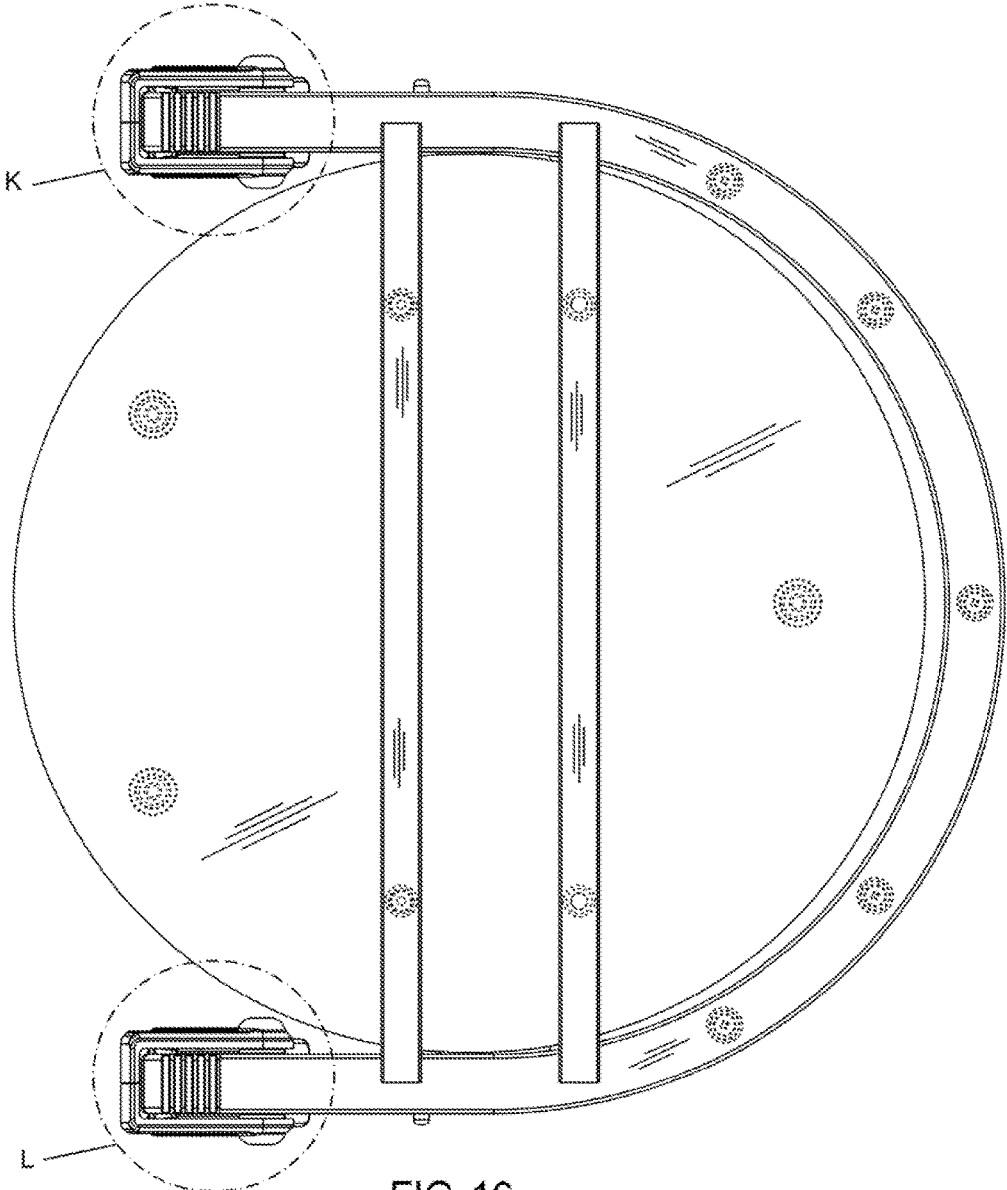


FIG. 16

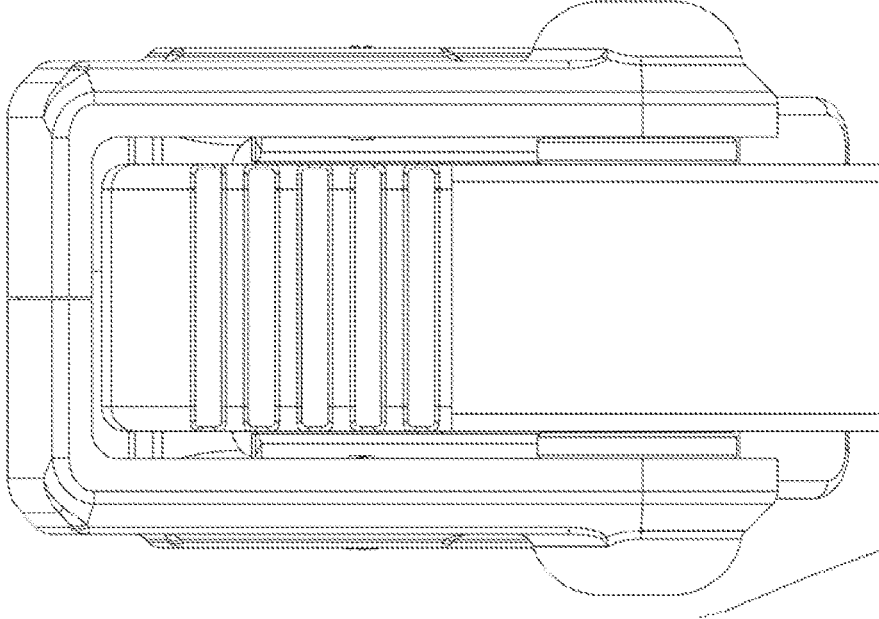


FIG. 17

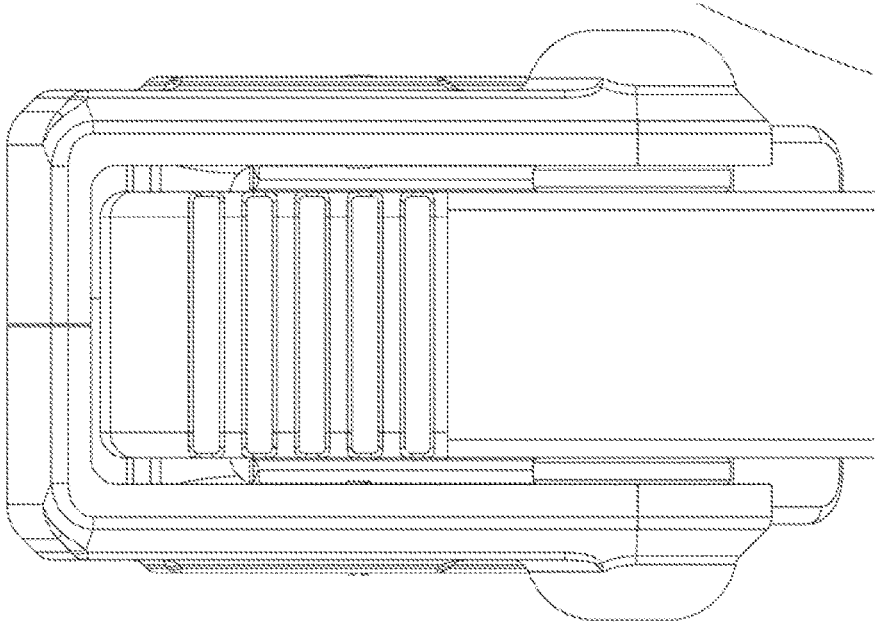


FIG. 18

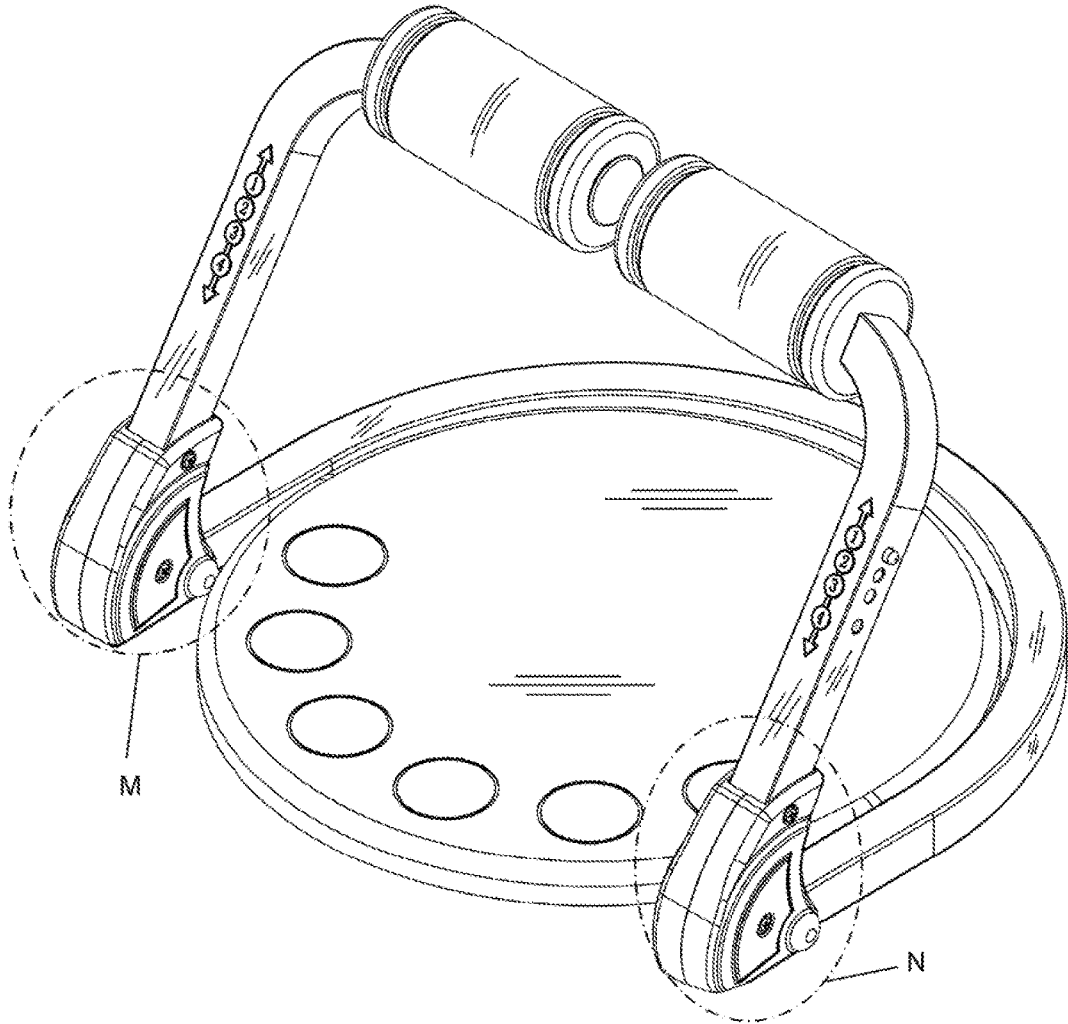


FIG. 19

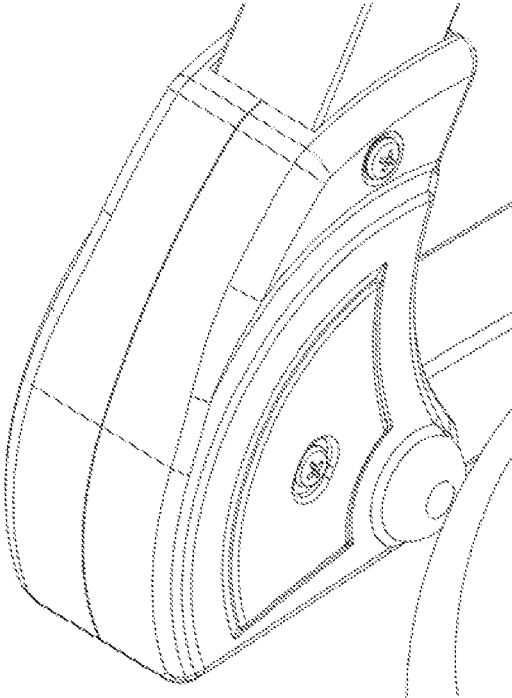


FIG. 20

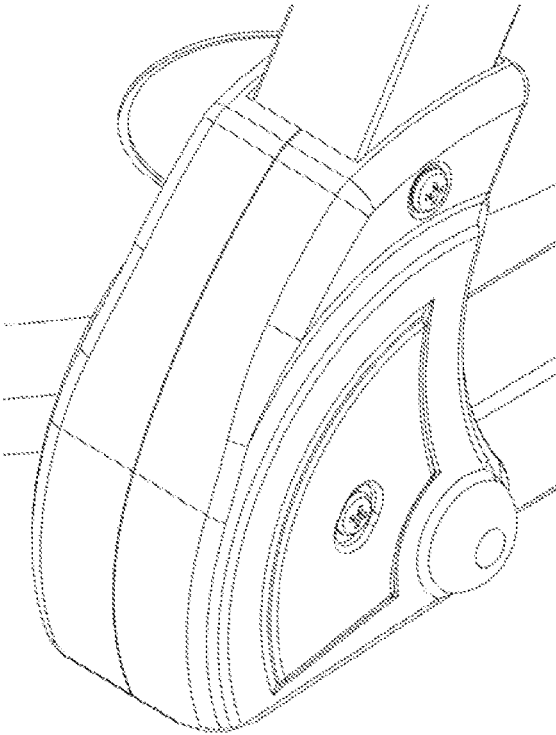


FIG. 21