



US00D950331S

(12) **United States Design Patent**
Singh

(10) **Patent No.:** **US D950,331 S**

(45) **Date of Patent:** **** May 3, 2022**

(54) **TOOL**

(71) Applicant: **Joshua George Singh**, Calgary (CA)

(72) Inventor: **Joshua George Singh**, Calgary (CA)

(**) Term: **15 Years**

(21) Appl. No.: **29/615,419**

(22) Filed: **Aug. 29, 2017**

(51) **LOC (13) Cl.** **08-05**

(52) **U.S. Cl.**
USPC **D8/14; D25/199**

(58) **Field of Classification Search**
USPC D8/14, 75, 77, 81, 105, 499; D25/119,
D25/164, 199

CPC B25B 27/00; B25B 27/0092; B25B 27/02;
B25B 27/14; B25B 33/00; B25D 1/12
See application file for complete search history.

(56) **References Cited**

U.S. PATENT DOCUMENTS

D282,712 S *	2/1986	Rademacher	D8/14
D298,407 S *	11/1988	Vowell, Jr.	D8/14
D346,728 S *	5/1994	Lawson	D8/14
D501,767 S *	2/2005	Kenny	D8/14
D567,645 S *	4/2008	Cooper	D8/499
D571,171 S *	6/2008	Albritton	D8/14
D575,879 S *	8/2008	Wrightman	D25/121

D741,123 S *	10/2015	Calman	D8/14
9,366,040 B2 *	6/2016	Singh	E04F 19/064
D837,619 S *	1/2019	George	D8/14
D846,366 S *	4/2019	Kraljic	D8/77
2020/0217080 A1 *	7/2020	Singh	E04F 19/064

OTHER PUBLICATIONS

HammerBlock, EasyTrimReveals.com, available since Aug. 6, 2017, online. Site visited on May 17, 2019. Internet URL:<"https://easytrimreveals.com/fibercement/profiles/hammerblock/"> (Year: 2017).*

* cited by examiner

Primary Examiner — Llorellys Martinez

(74) *Attorney, Agent, or Firm* — Tai W. Nahm; Nahm IP Law

(57) **CLAIM**

The ornamental design for a tool, as shown and described.

DESCRIPTION

FIG. 1 illustrates a top front left perspective view of the tool comprising a new design.

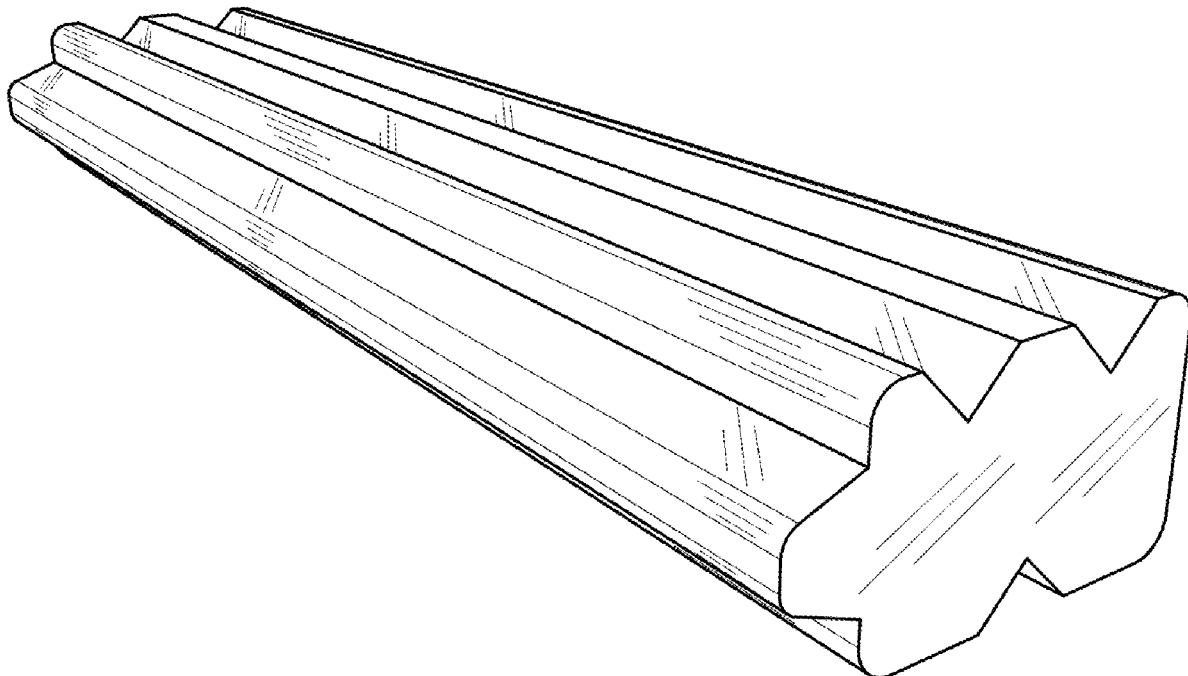
FIG. 2 illustrates a top rear right perspective view thereof.

FIG. 3 illustrates a top rear left perspective view thereof.

FIG. 4 illustrates a bottom rear right perspective view thereof; and,

FIG. 5 illustrates a top front right perspective view thereof.

1 Claim, 2 Drawing Sheets



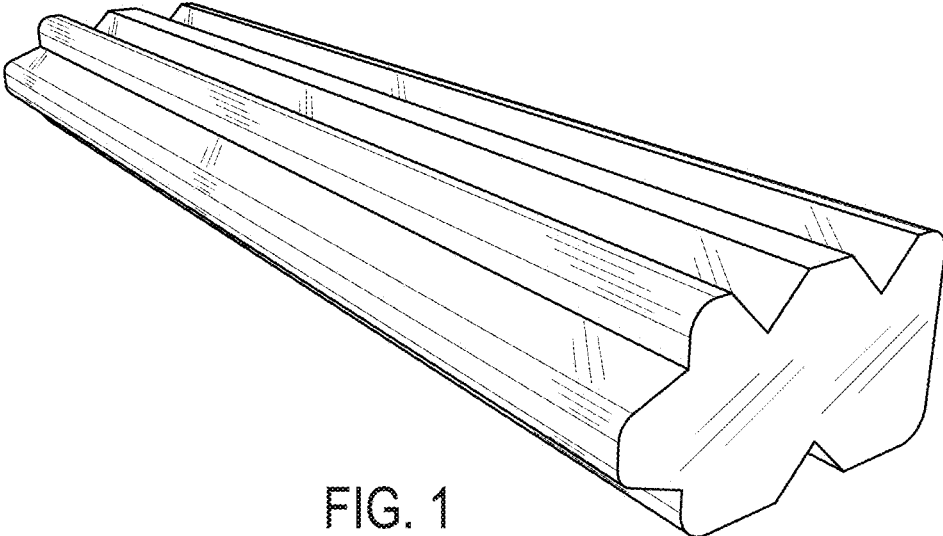


FIG. 1

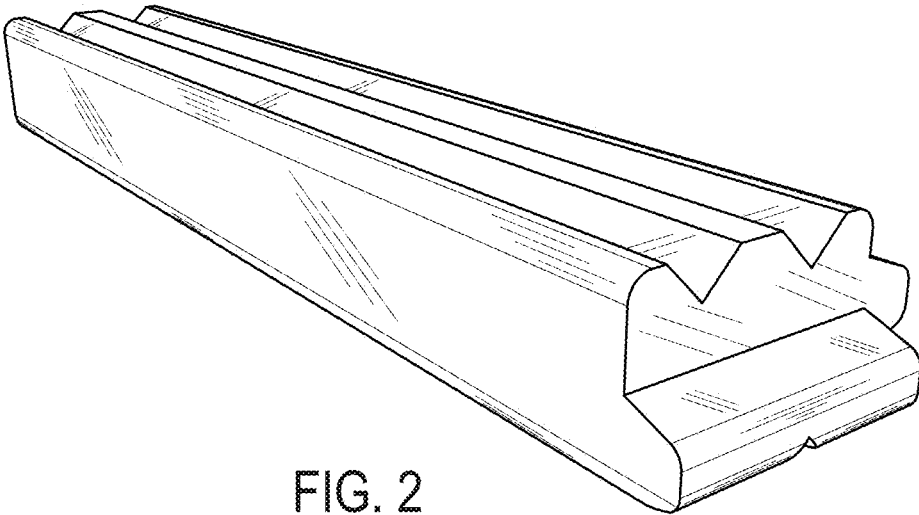


FIG. 2

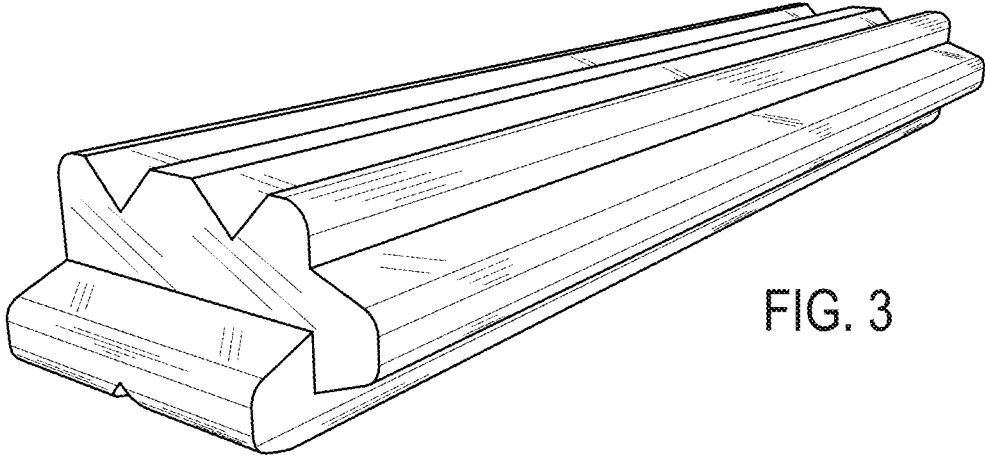


FIG. 3

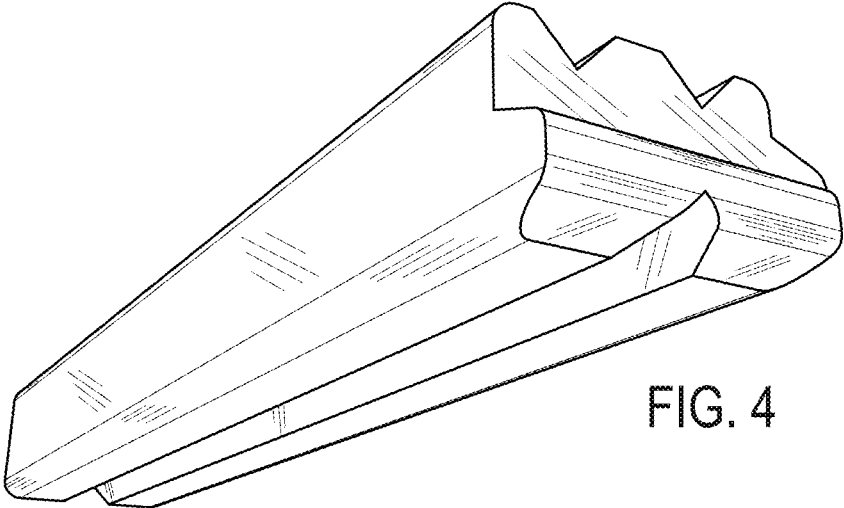


FIG. 4

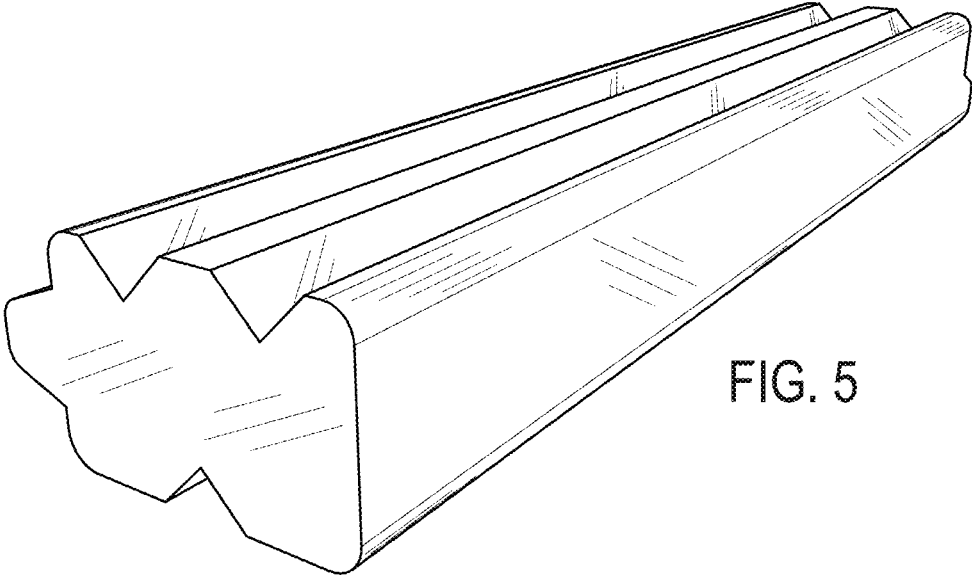


FIG. 5